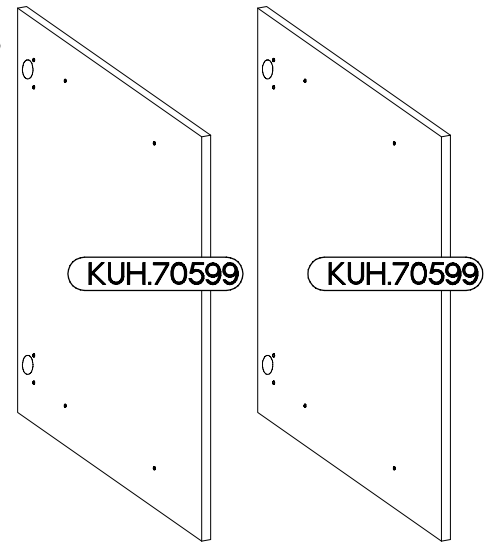
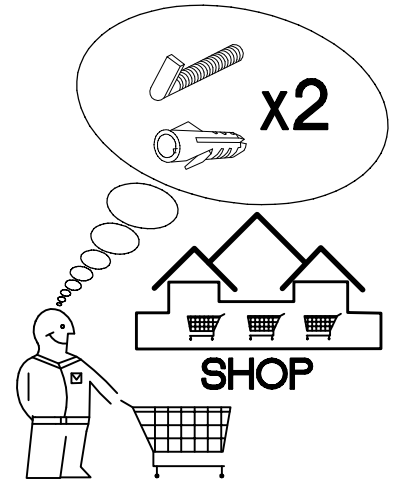
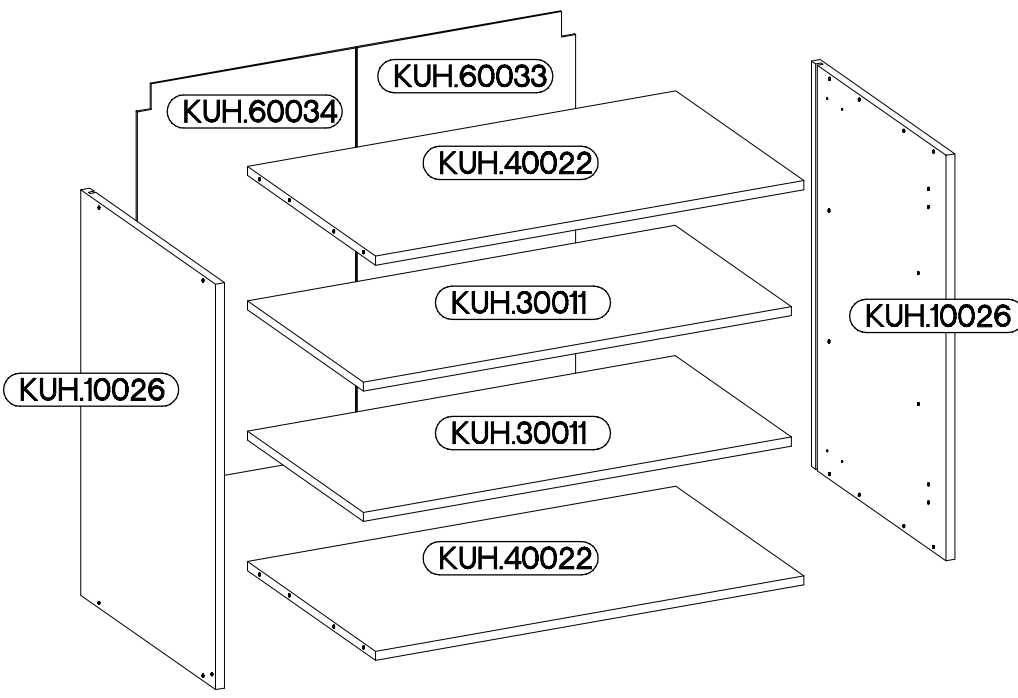
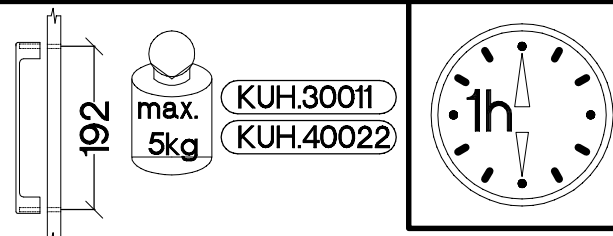
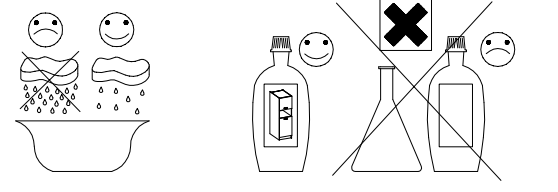
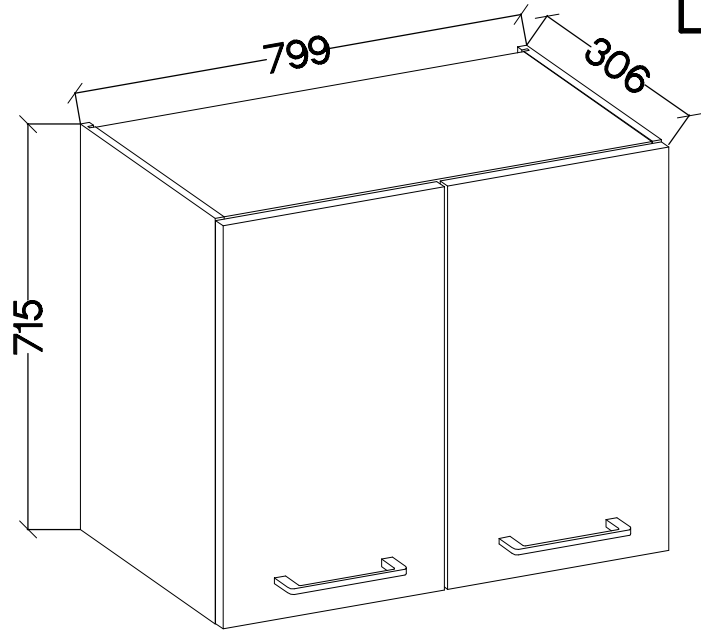
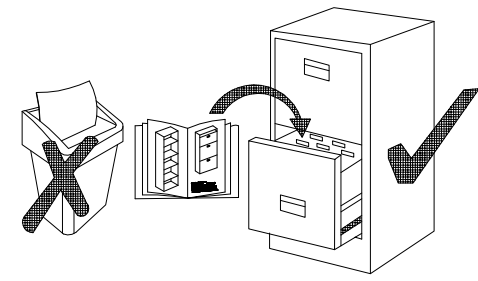


80 G-72 2F

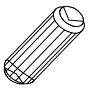

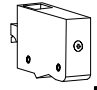


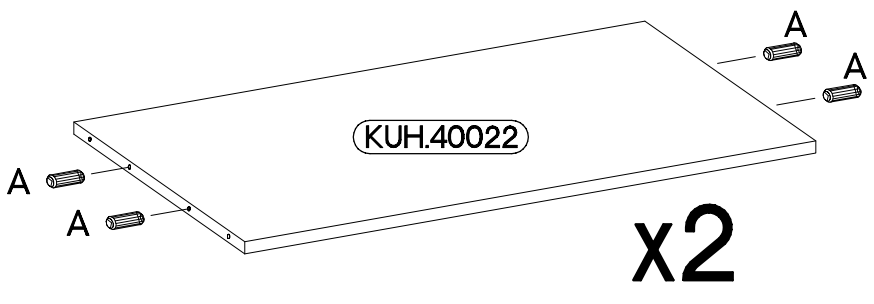
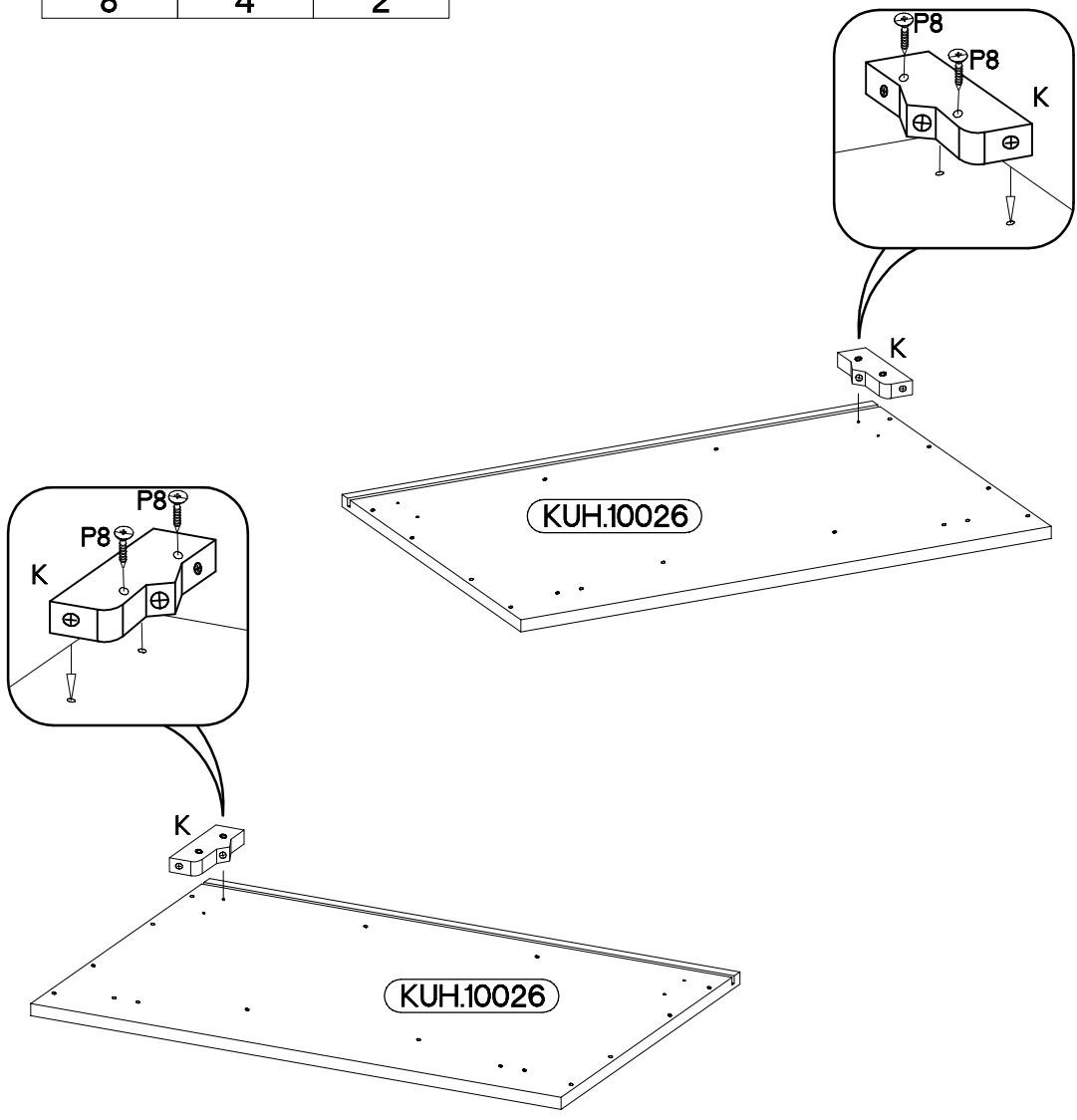
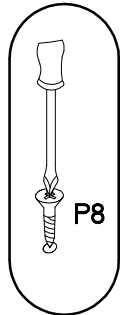
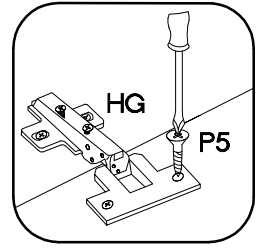
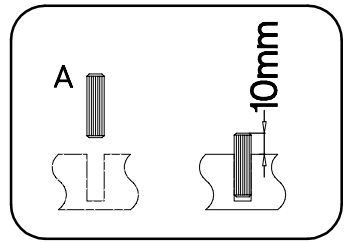
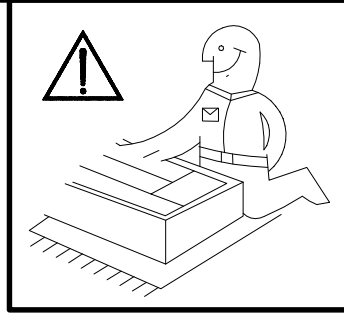
+8x30mm A 8	6,4 x 50mm B 8	 E1 8	+35/0mm HG 4	+5/19mm J 8	 K 2	L1=680mm L1 1
 O 1	+3.5x13mm P5 8	+3.0x20mm P7 10-15	+4.0x30mm P8 4	+4.0x30mm R2 4	 S15 2	



ISM-KUH-00970

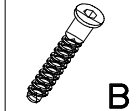
1

±8x30mm  A 8	±4.0x30mm  P8 4	 K 2
---	--	--



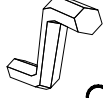
2

6,4 x 50mm



B

4



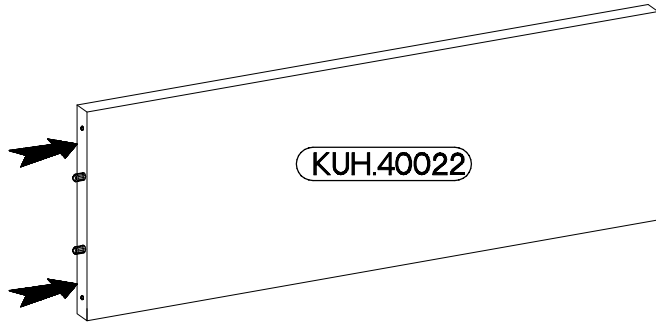
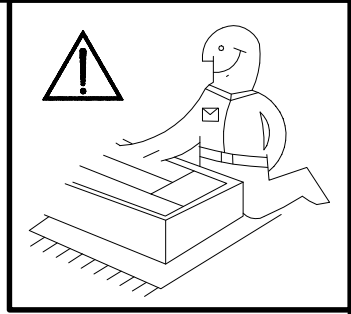
O

1

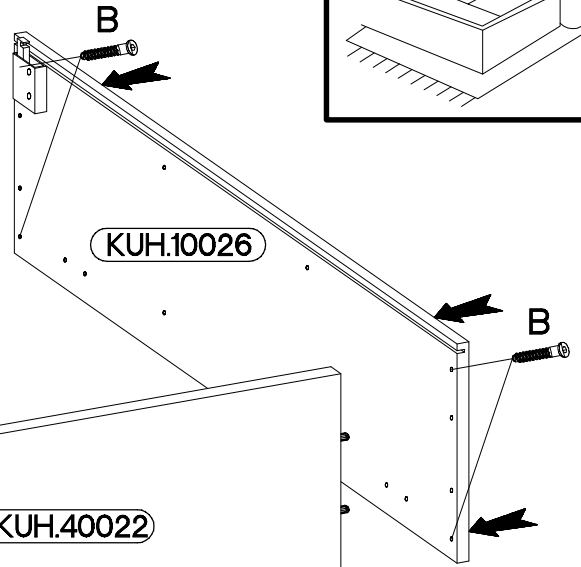


E1

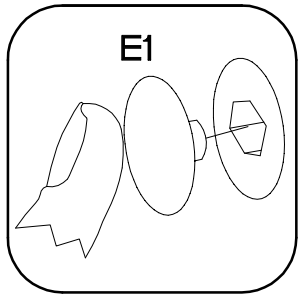
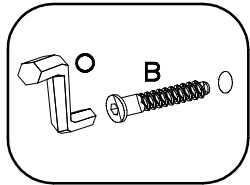
4



KUH.40022

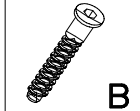


KUH.10026



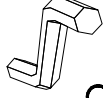
3

6,4 x 50mm



B

4



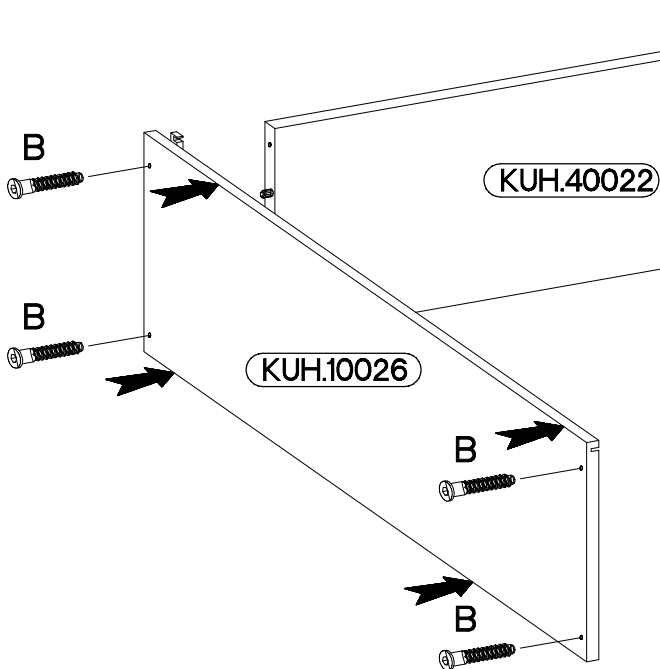
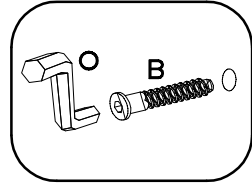
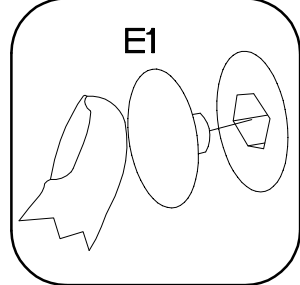
O

1



E1

4



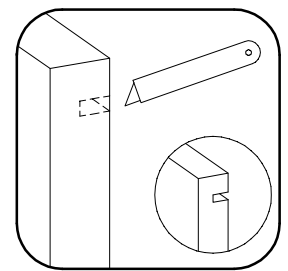
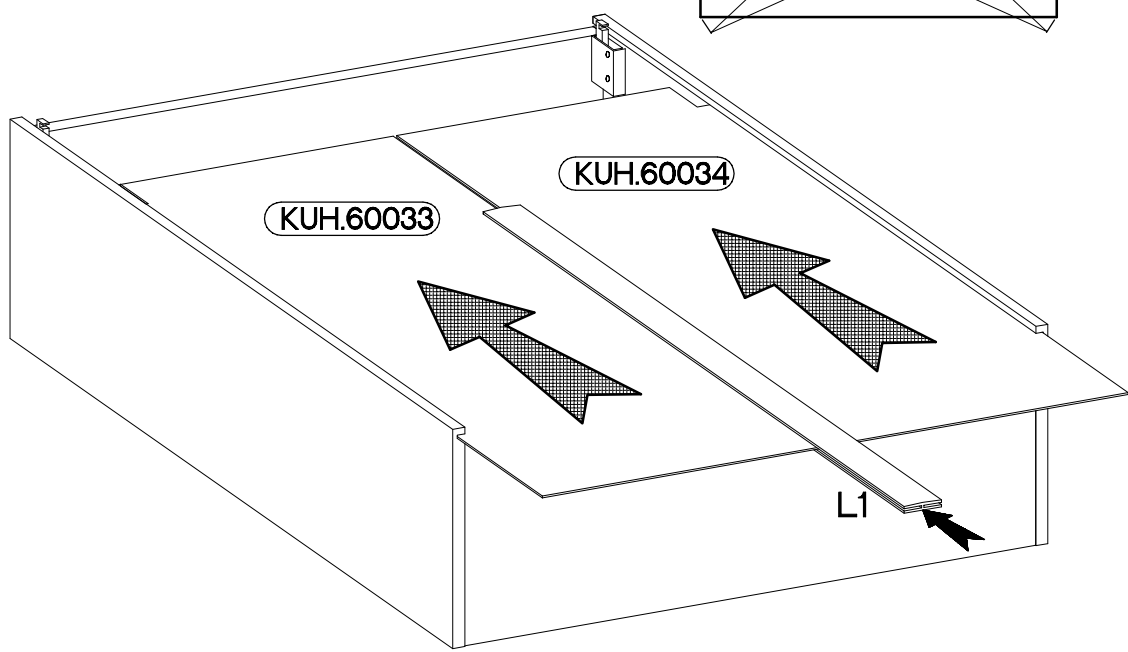
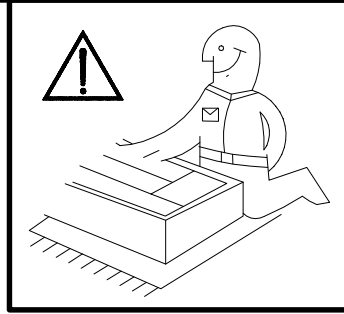
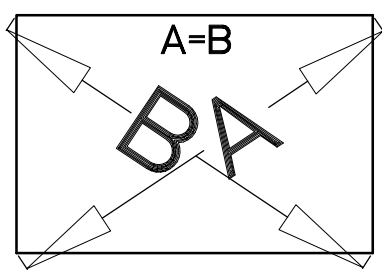
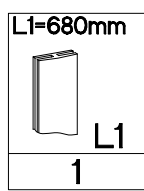
KUH.40022

KUH.10026

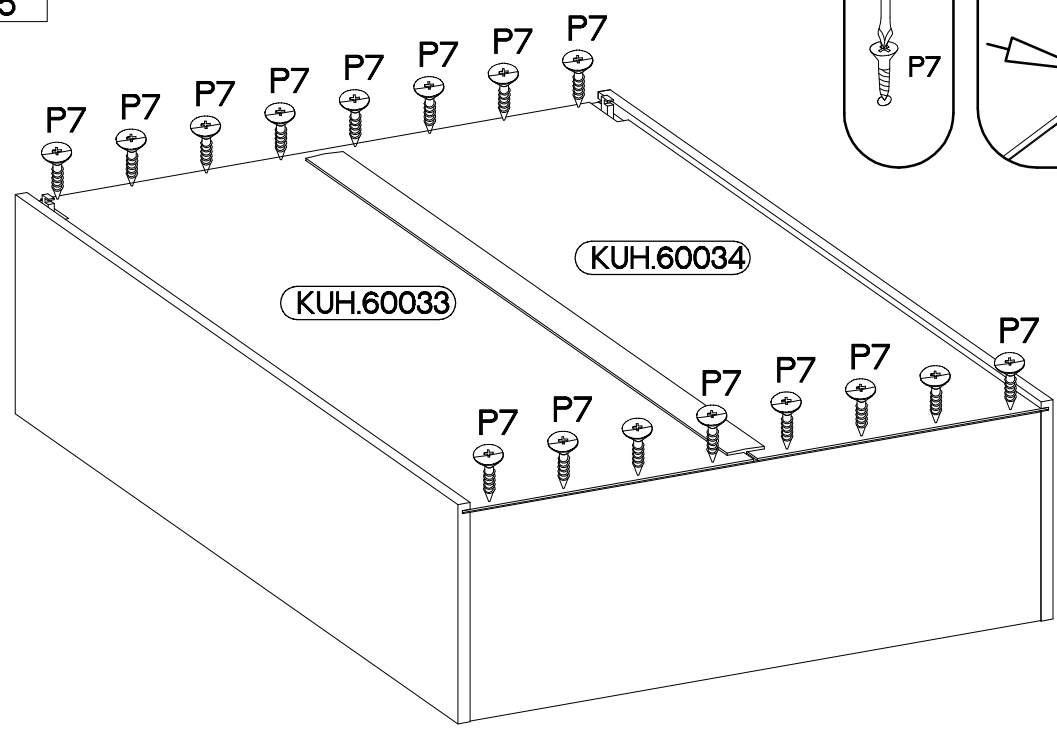
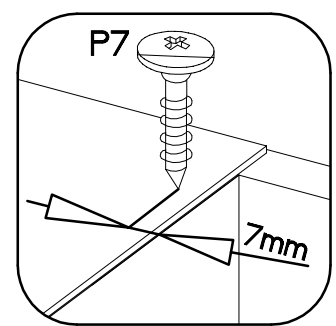
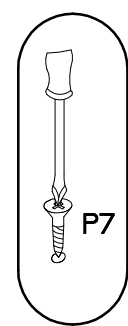
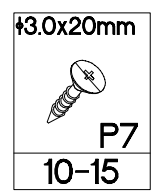
KUH.10026

KUH.40022

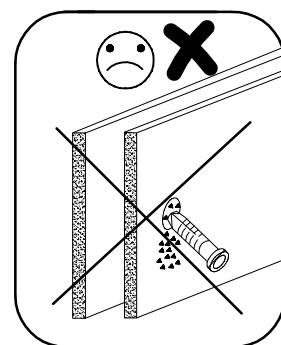
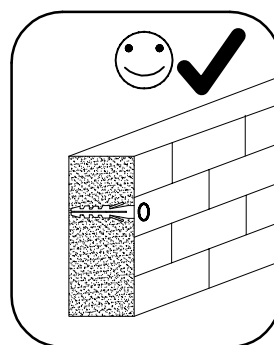
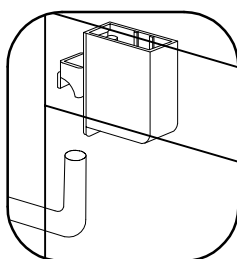
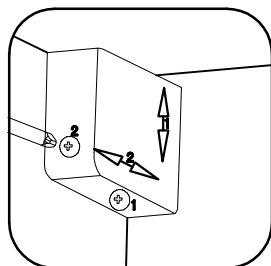
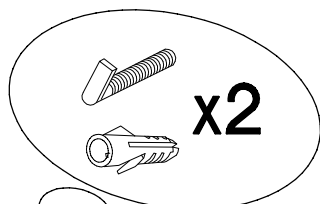
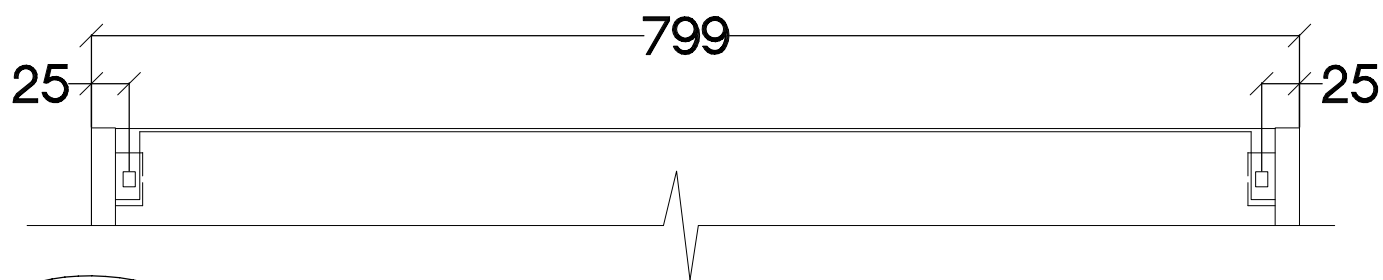
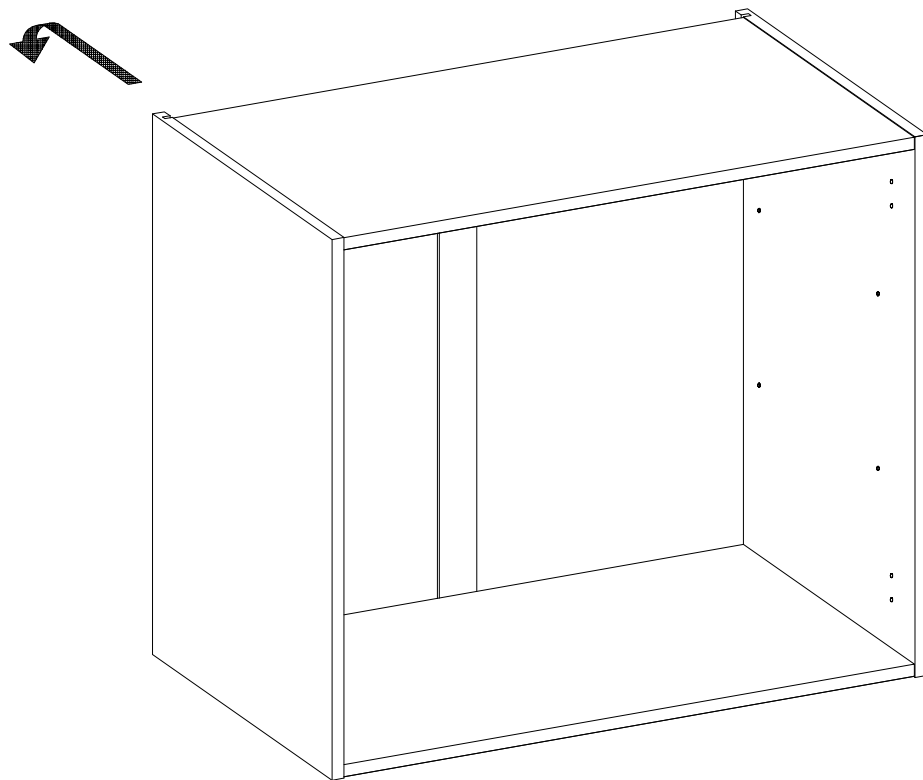
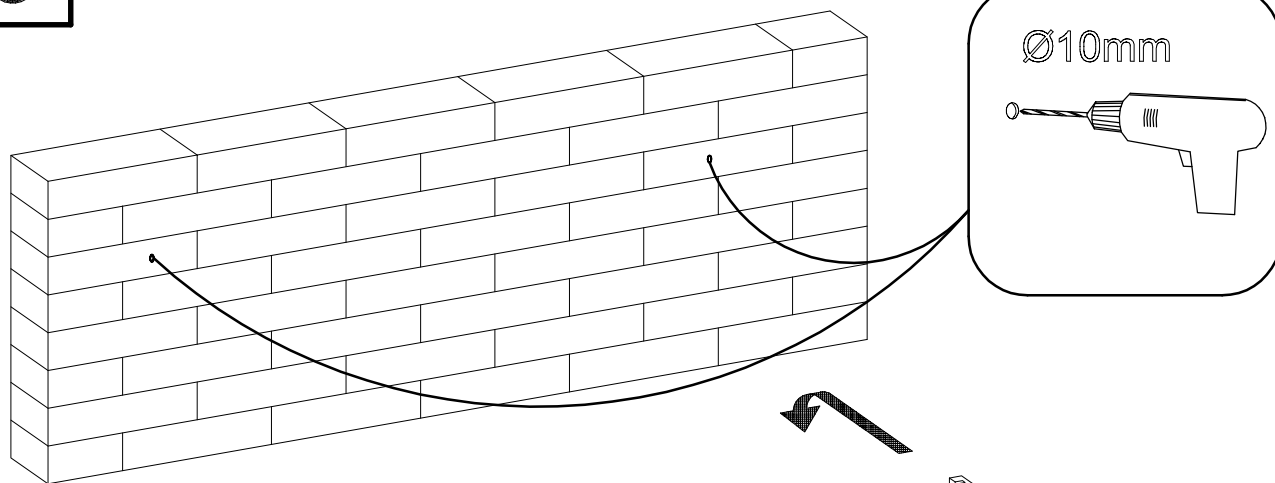
4



5

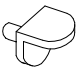


6



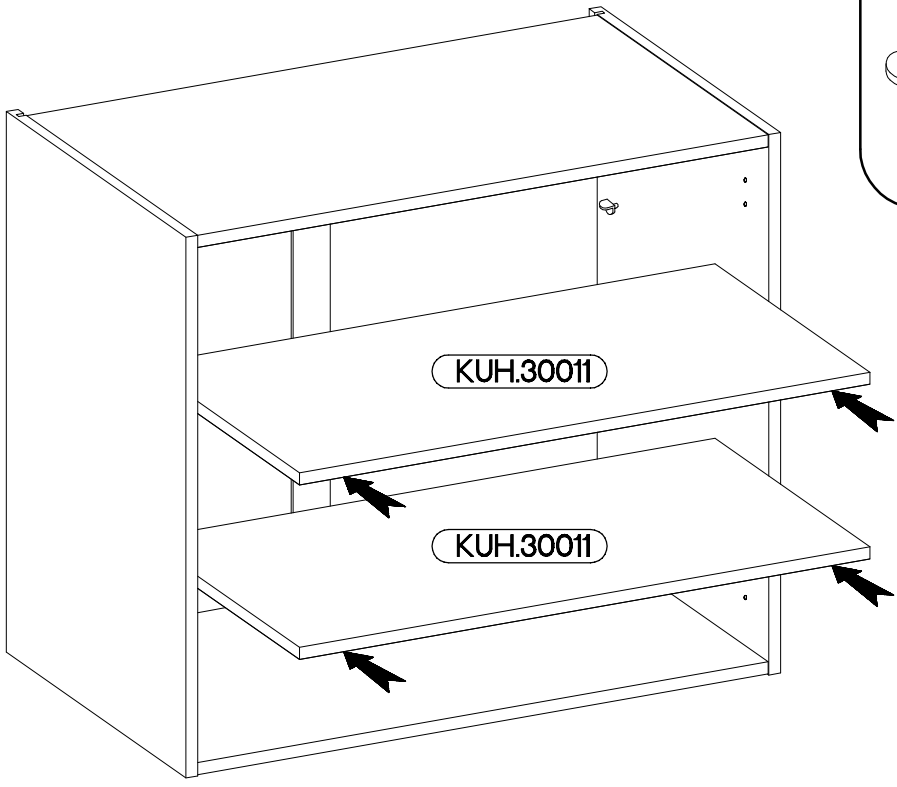
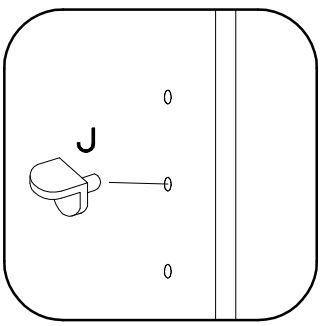
7

±5/19mm

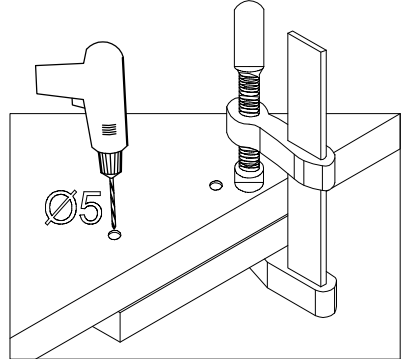
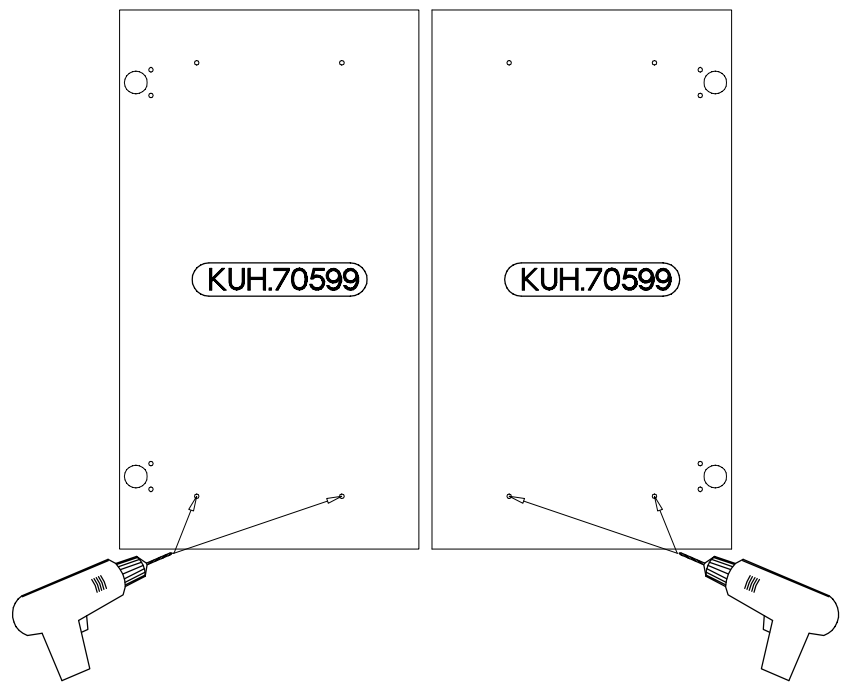
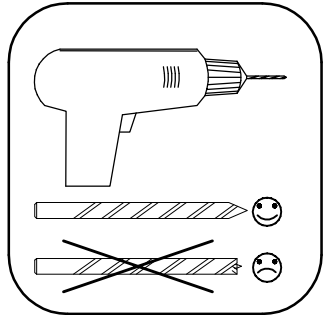


J

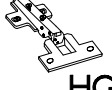

8

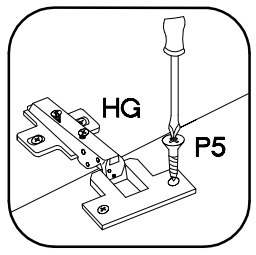
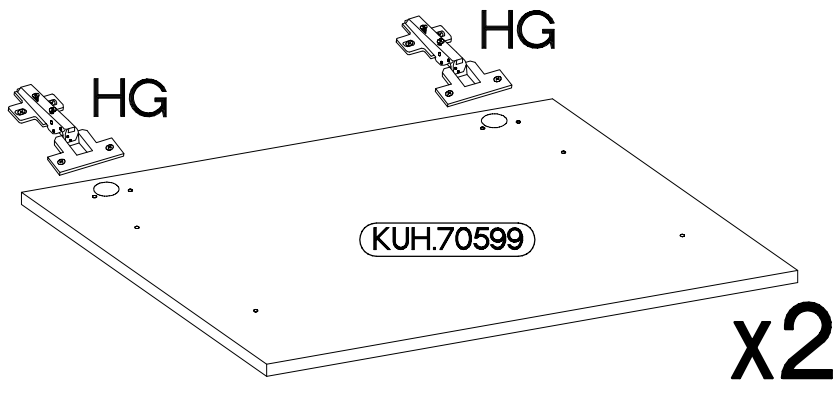


8





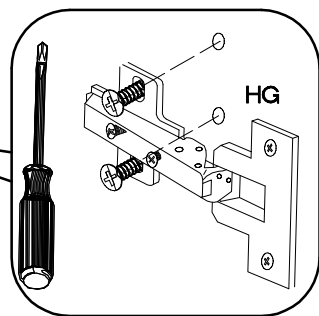
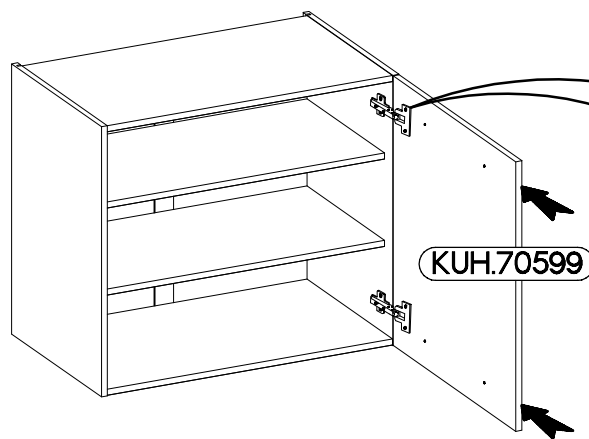
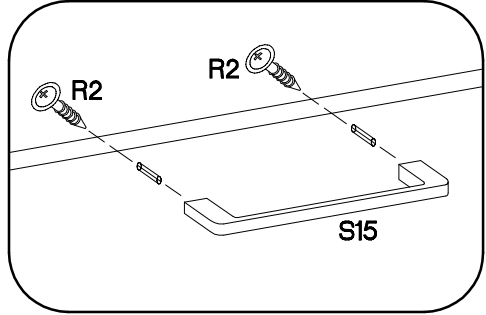
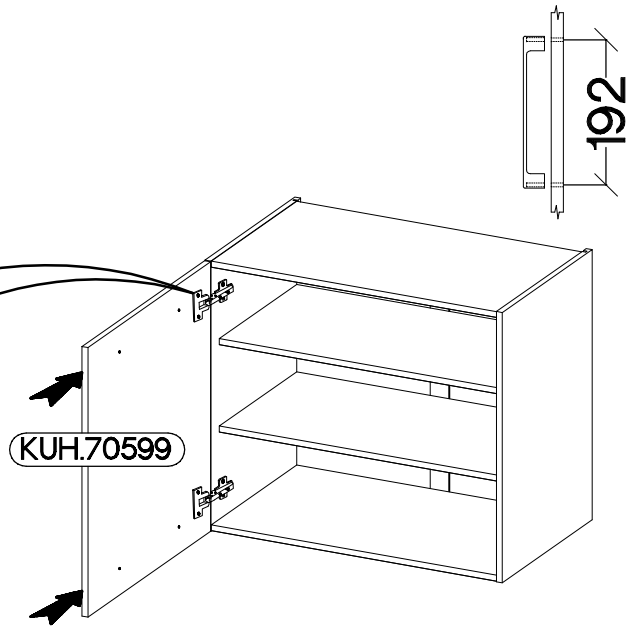
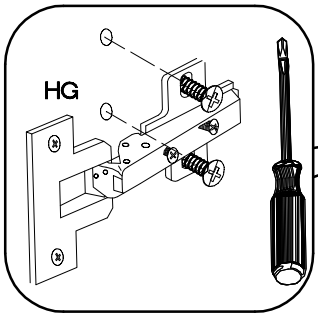
9

±35/0mm	±3.5x13mm
	
HG	P5
2	4



10

±4.0x30mm	
	
R2	S15
4	2



VARIANT HIGH GLOSS

