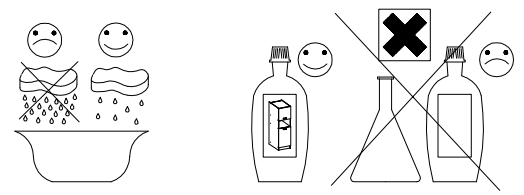
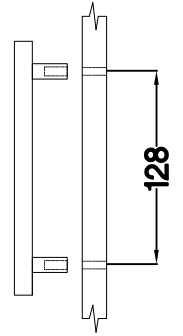
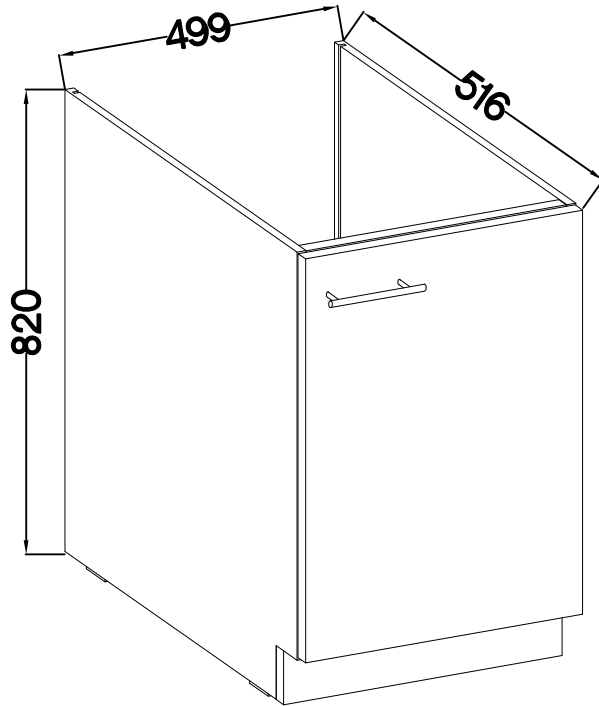


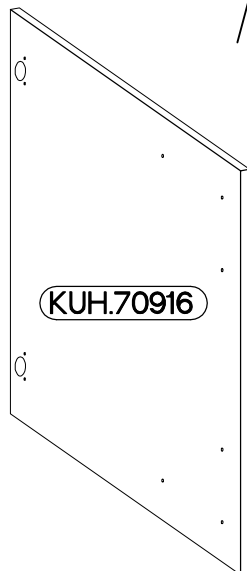
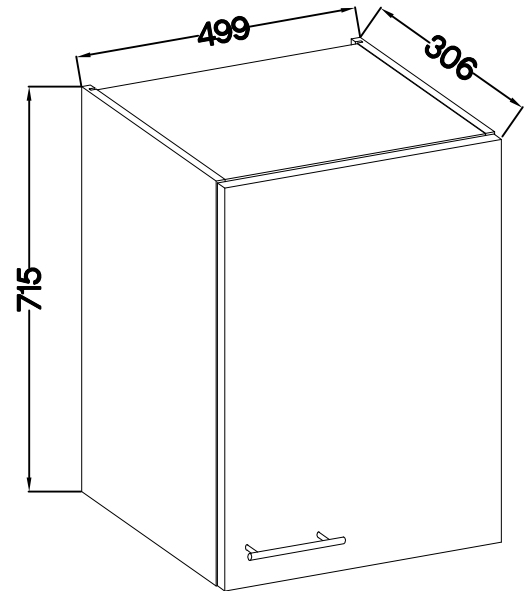
50 G-72 1F
50 ZL 1F BB
FRONT





50 ZL 1F BB



50 G-72 1F



M4x22mm	L=128mm
	
U	S
2	1

ISM-KUH-01641

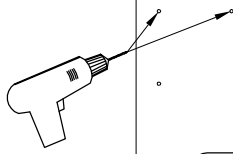
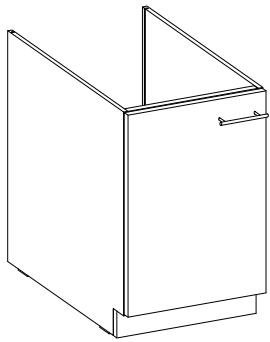
4 50 ZL 1F BB



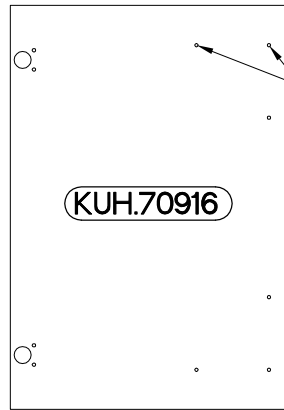
LEFT



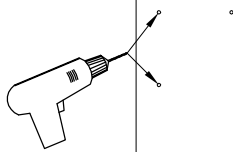
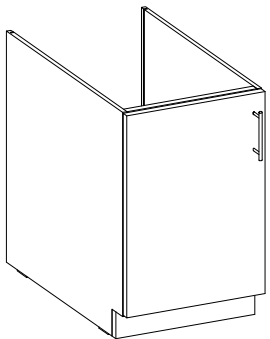
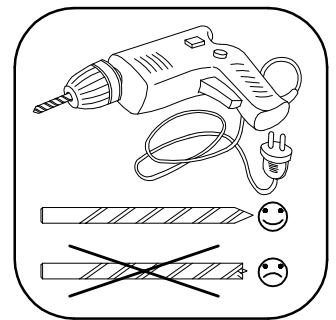
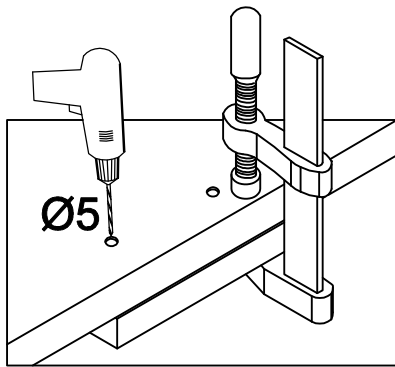
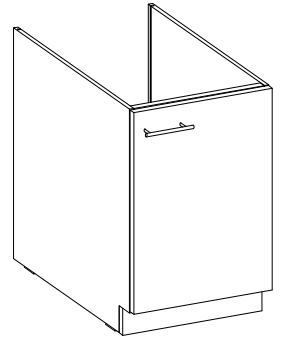
RIGHT



KUH.70916



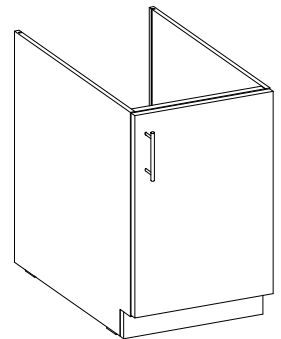
KUH.70916





KUH.70916

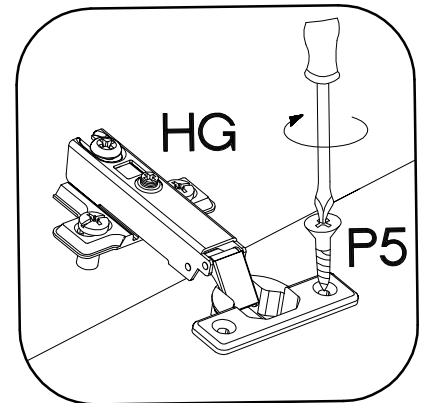
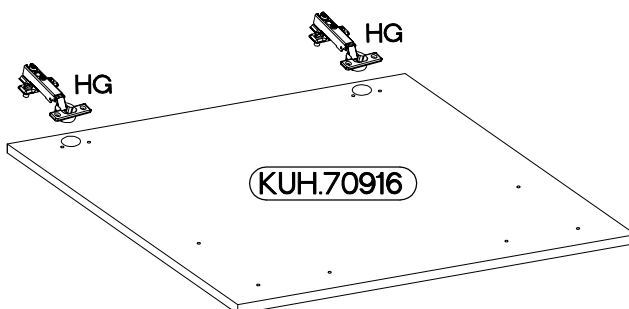


KUH.70916





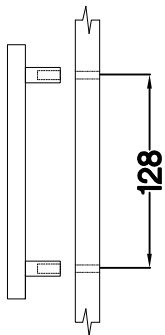
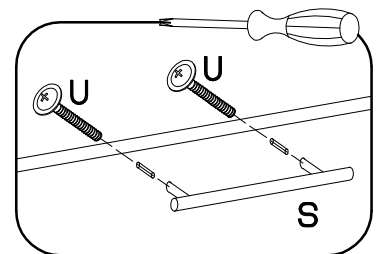
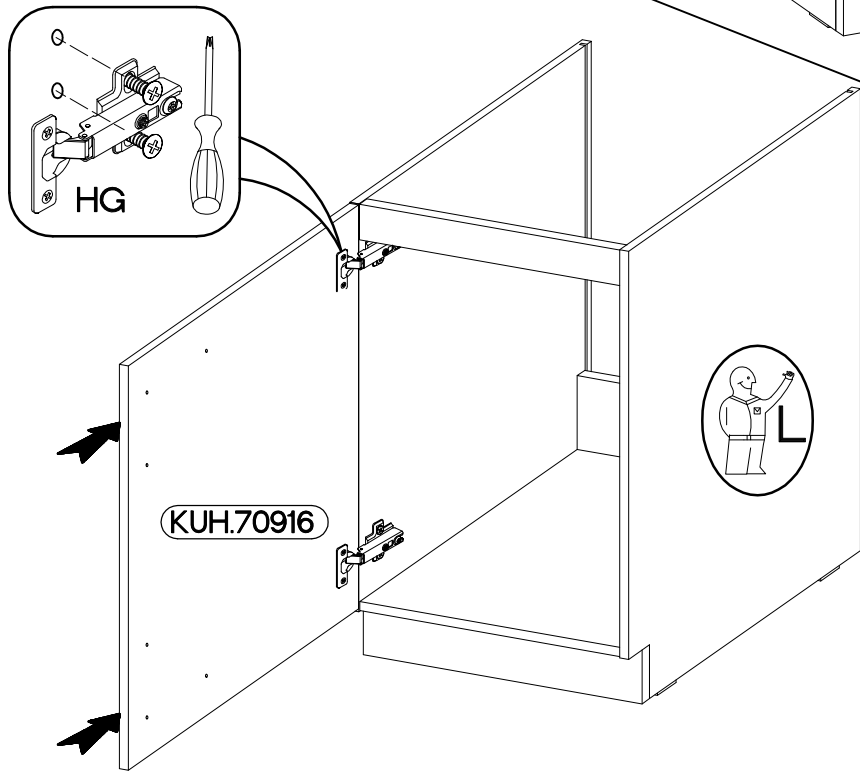
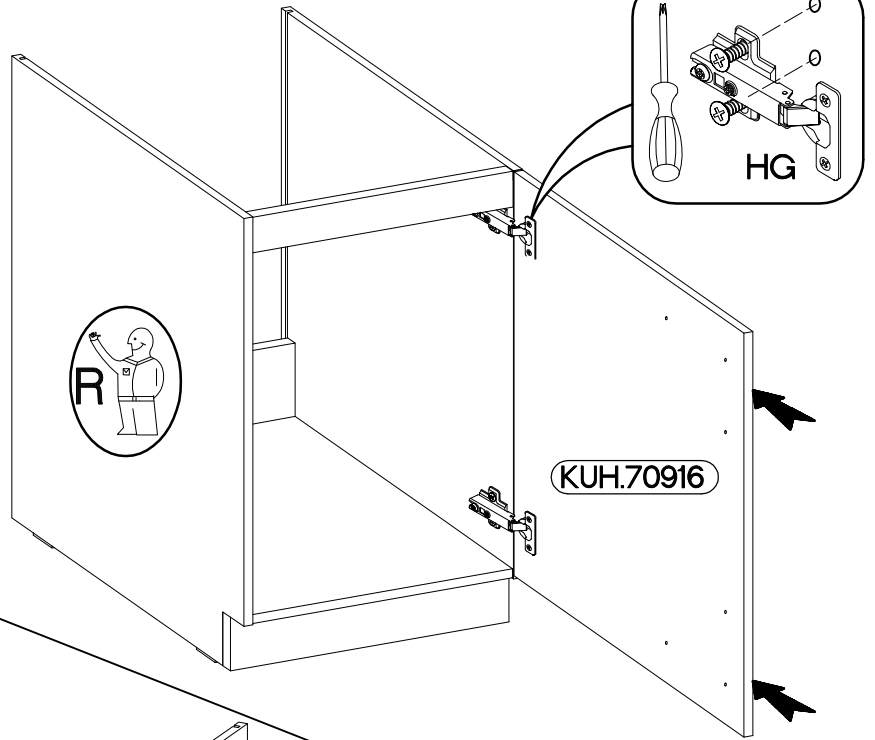
5

 †35/0mm [CD] HG 2	 †3.5x13mm P5 4
--	---



6

M4x22mm  U 2	L=128mm  S 1
---	--



VARIANT HIGH GLOSS

