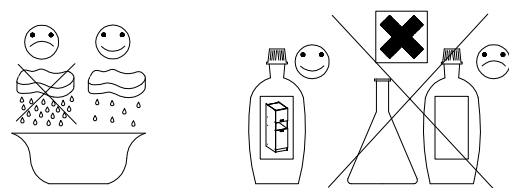
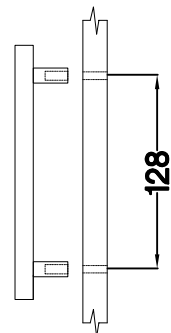
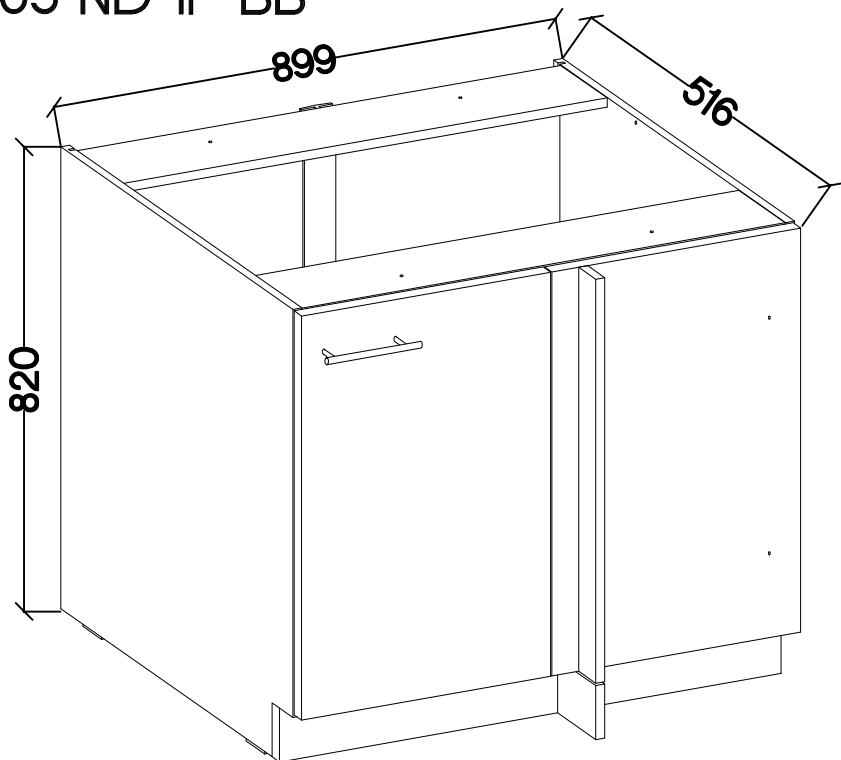


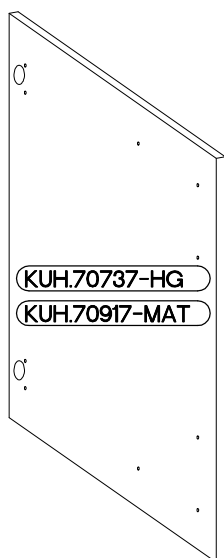
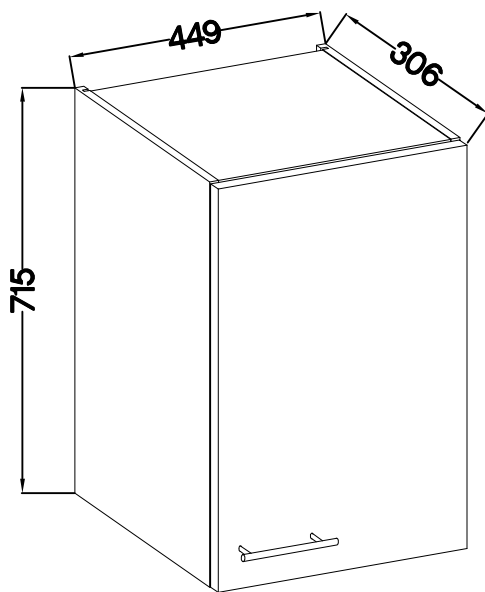
45 G-72 1F  
105 ND 1F BB  
FRONT


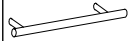


105 ND 1F BB



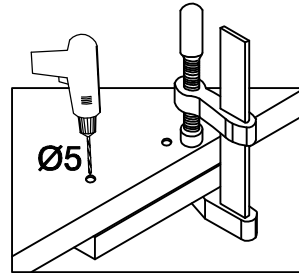
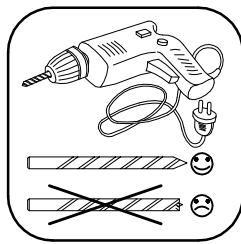
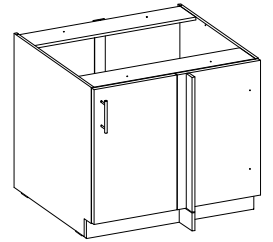
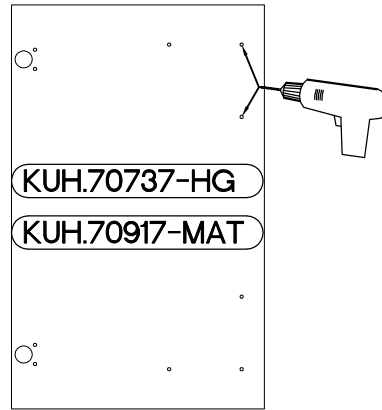
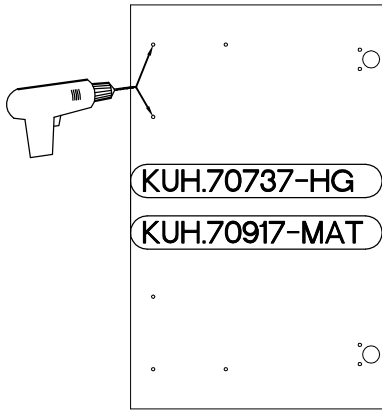
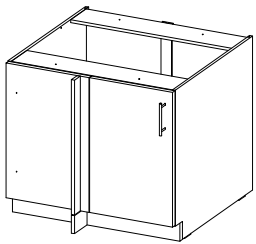
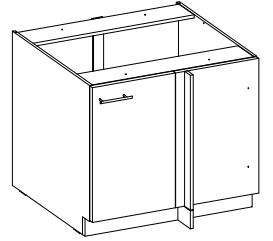
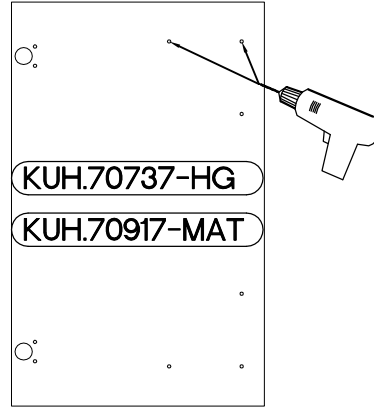
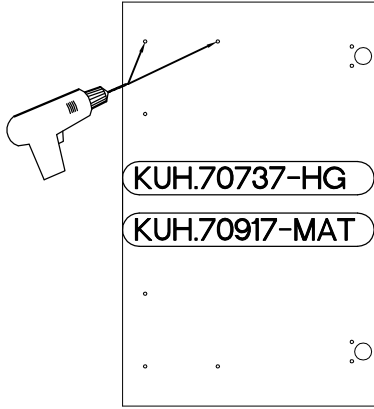
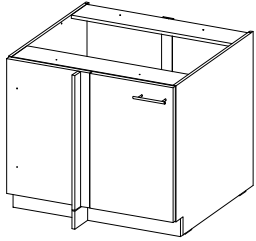
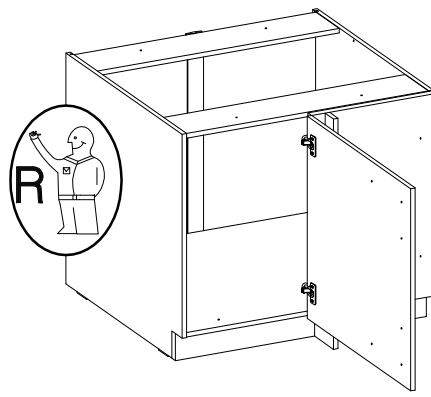
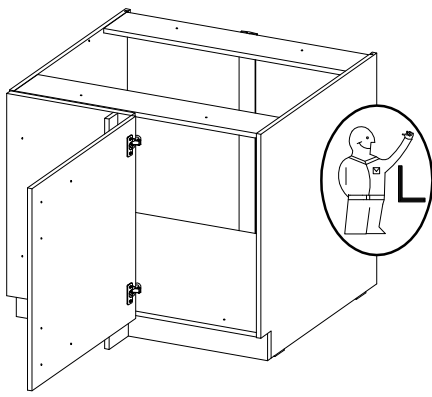
45 G-72 1F





M4x22mm	L=128mm
	
U	S
2	1

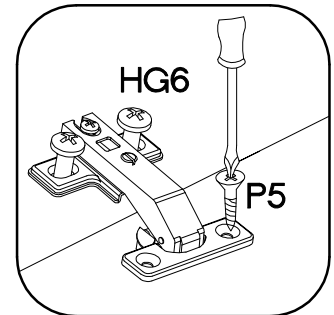
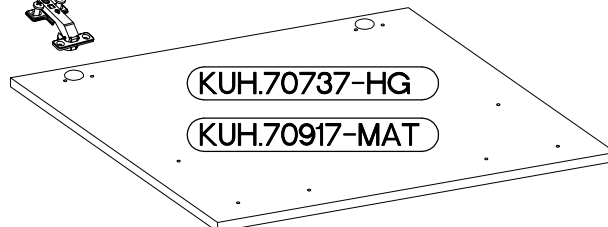
ISM-KUH-01640

4


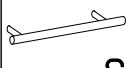


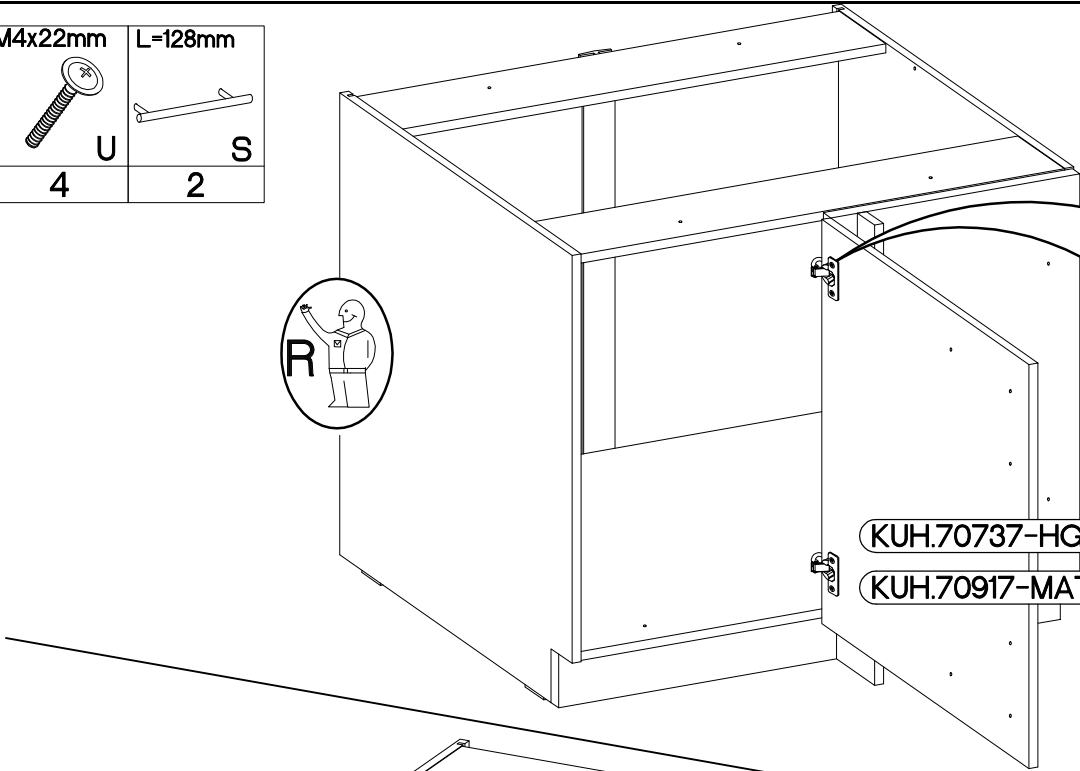
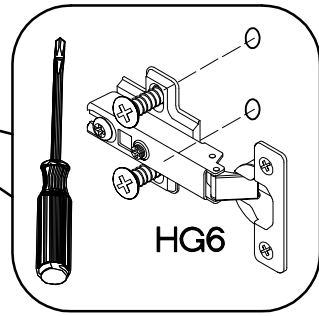
5

	
†35/90° †3.5x13mm	
HG6	P5
2	4

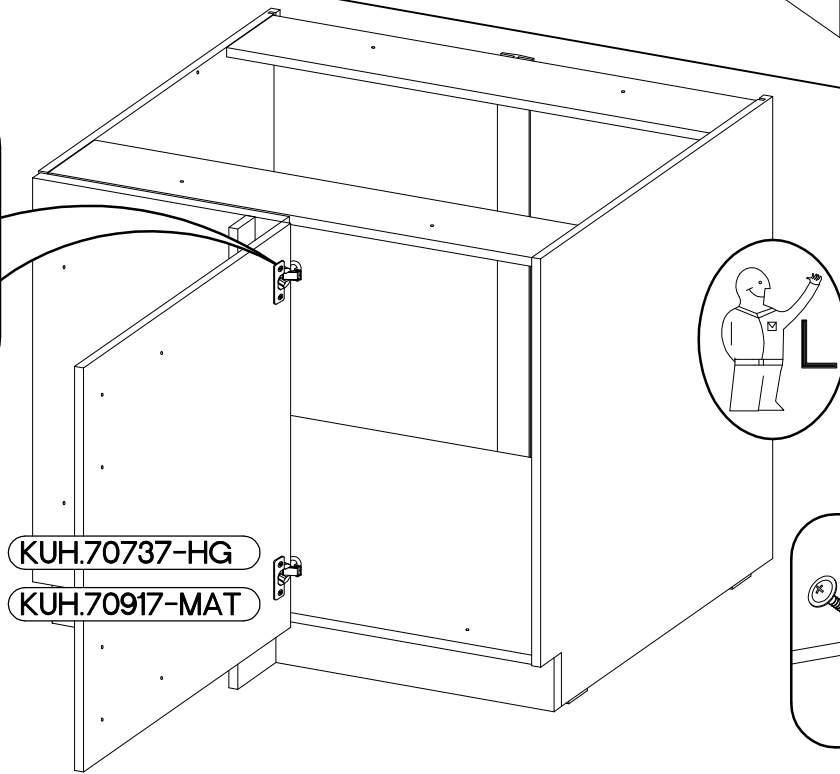
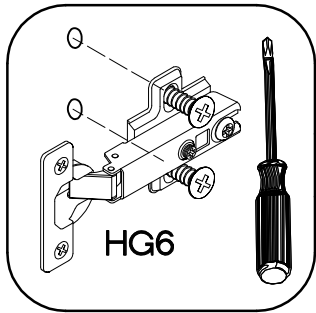


6

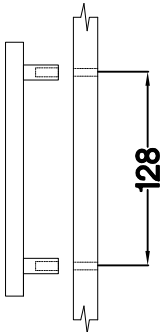
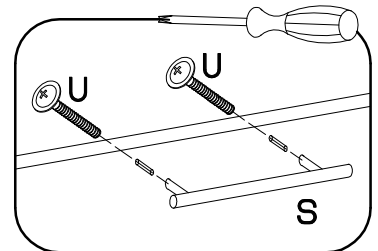
M4x22mm	L=128mm
	
U	S
4	2



KUH.70737-HG  
KUH.70917-MAT



KUH.70737-HG  
KUH.70917-MAT



VARIANT HIGH GLOSS

