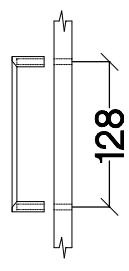
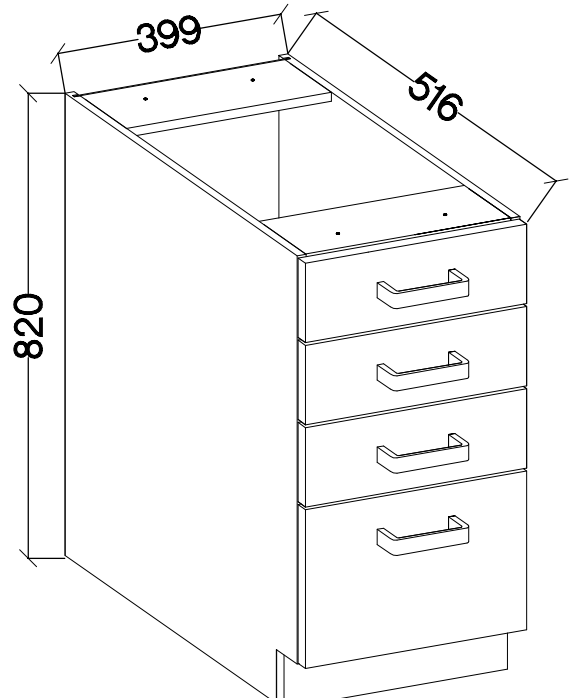
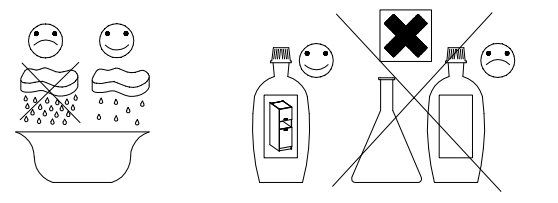
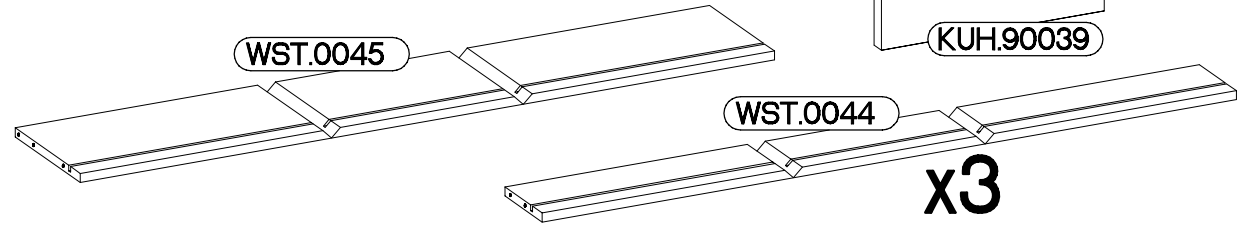
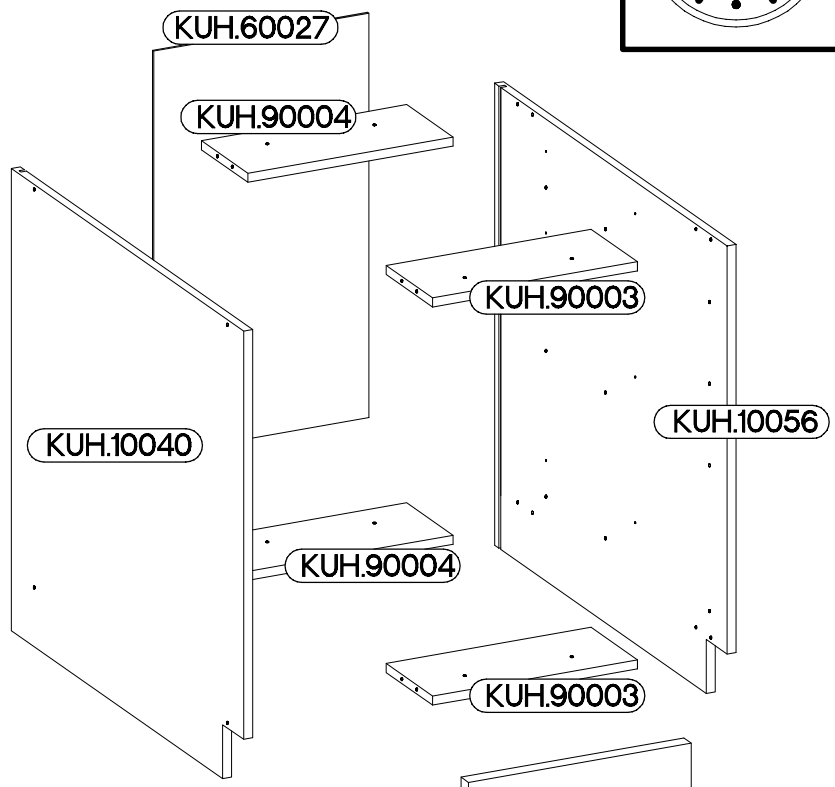
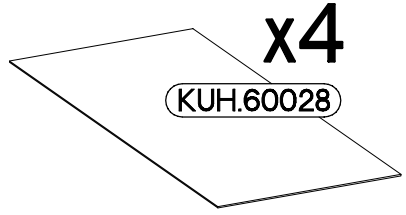
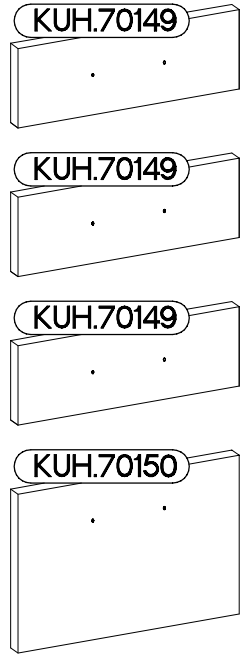


40 D 4S BB

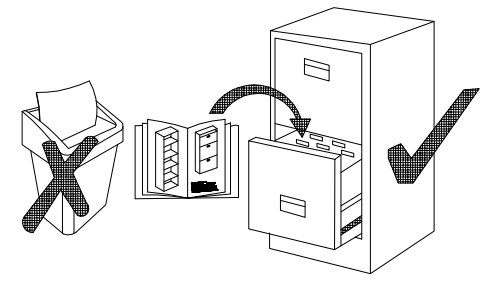


max. 5kg

KUH.60028

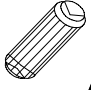



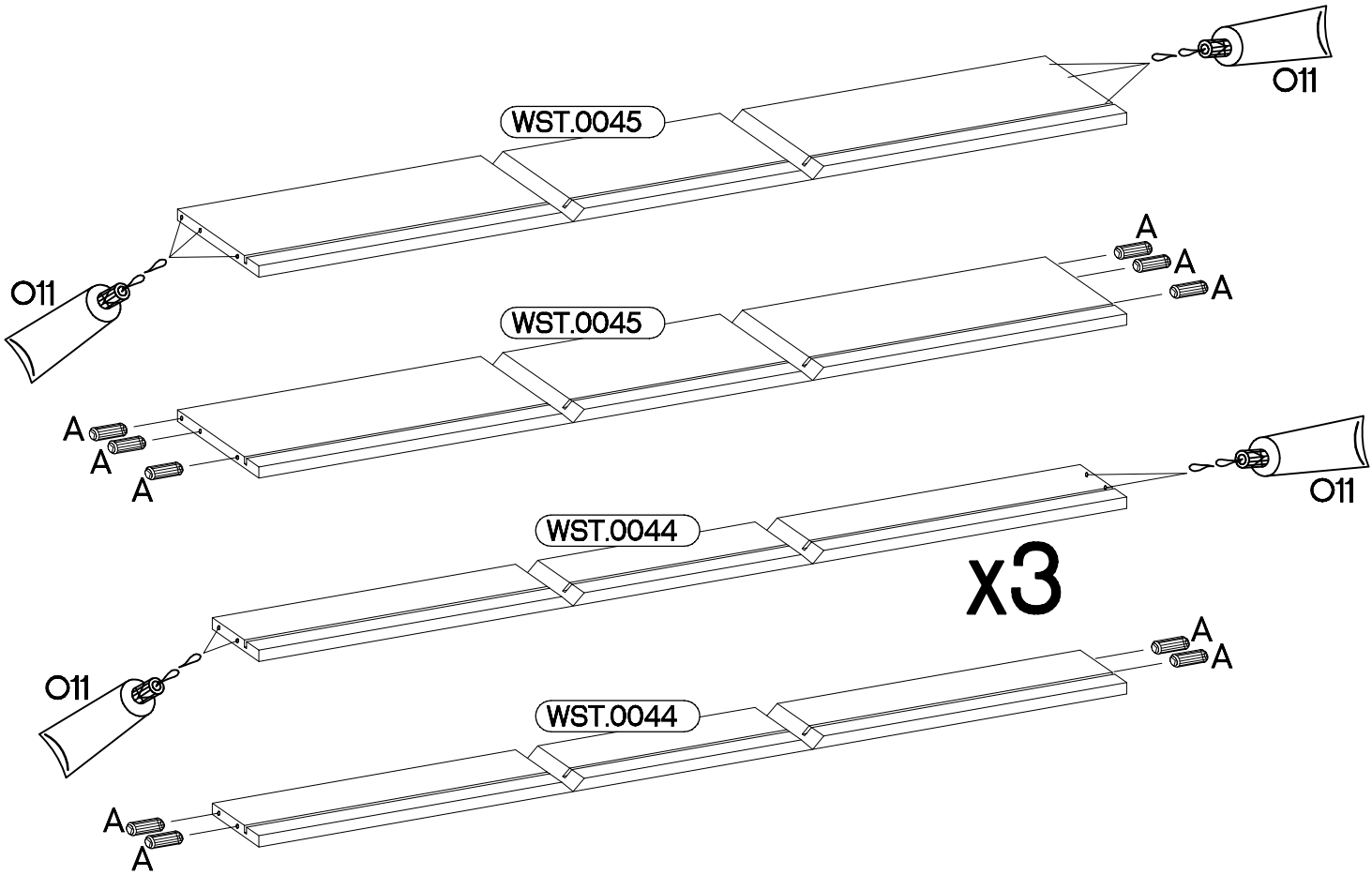
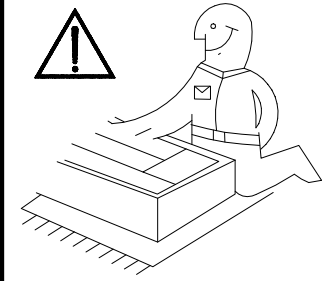
 †8x30mm <b>A</b> 26	 6,4 x 50mm <b>B</b> 8	 <b>E1</b> 8	 <b>E9</b> 2	 6.5x48x16 <b>F2</b> 4	 L=450mm <b>I5</b> 4
 †5.0x13mm <b>M</b> 24	 <b>O</b> 1	 0,05 <b>O11</b> 1	 †4.0x45mm <b>P4</b> 2	 †3.5x13mm <b>P5</b> 32	 †3.5x20mm <b>P6</b> 12
 †3.0x20mm <b>P7</b> 8-10	 †4.0x35mm <b>R3</b> 4	 <b>S23</b> 4	 M4x22mm <b>U</b> 8	 <b>Z3</b> 4	 <b>Z4</b> 4




ISM-KUH-00918

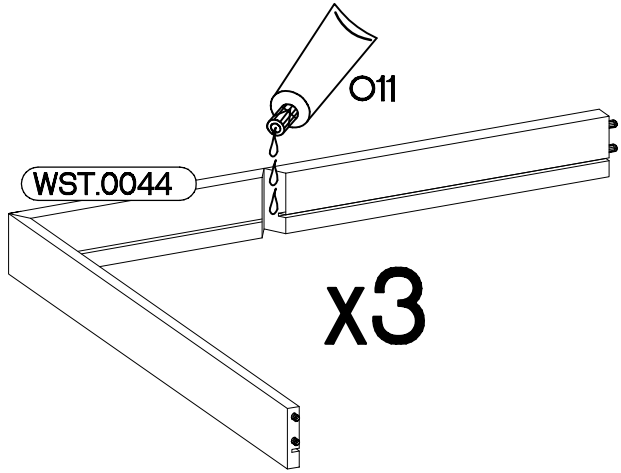
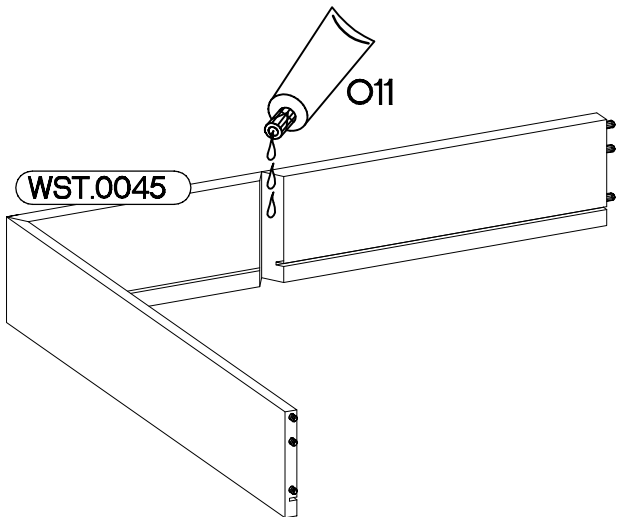
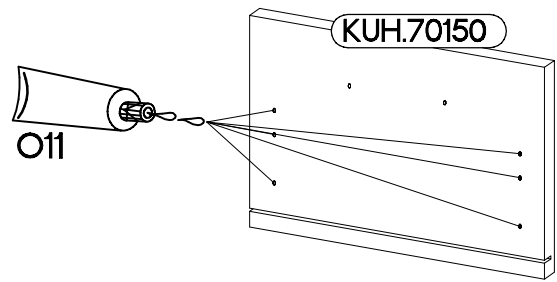
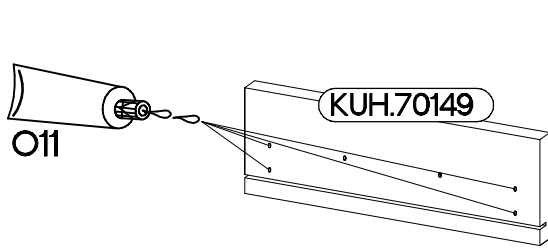
1

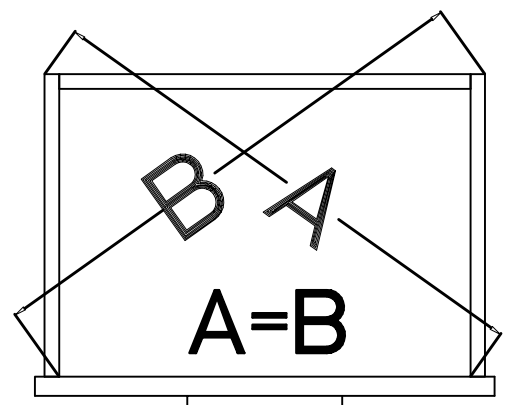
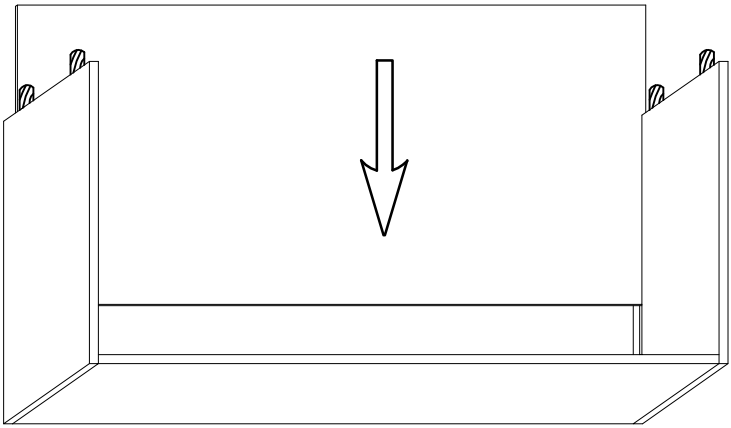
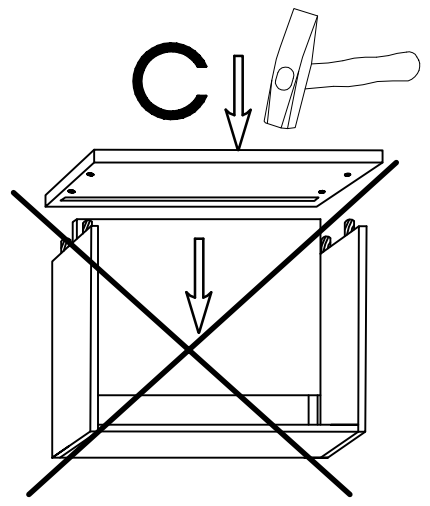
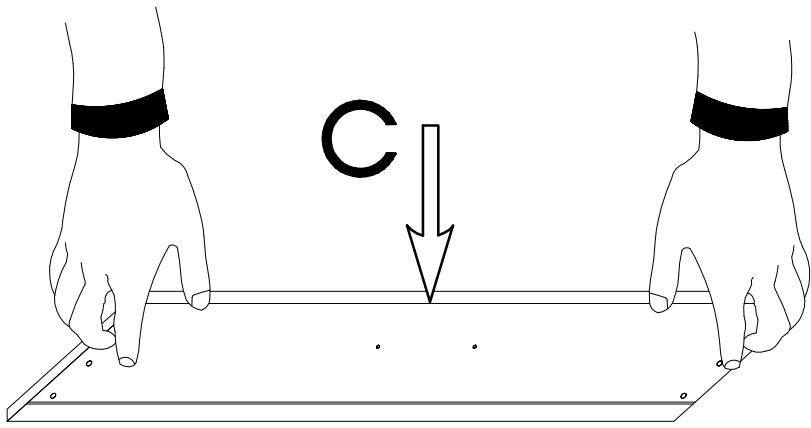
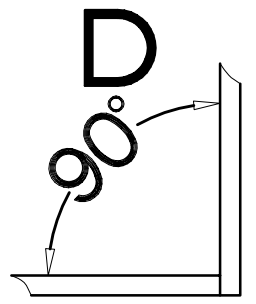
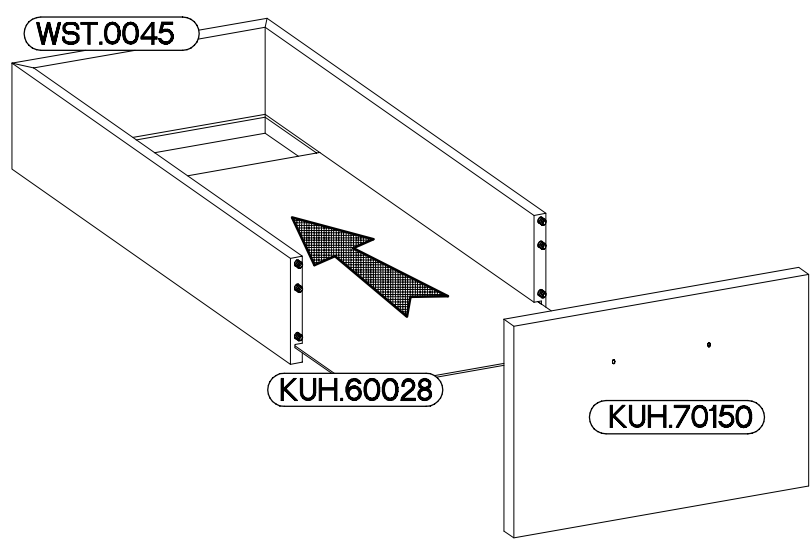
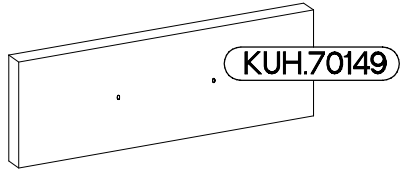
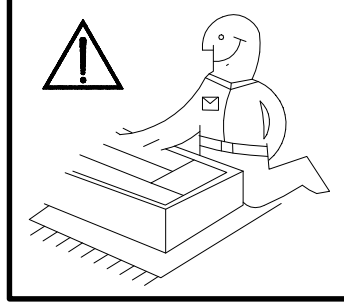
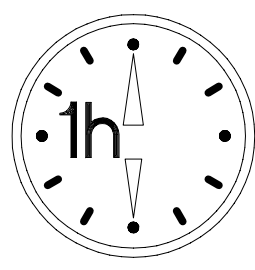
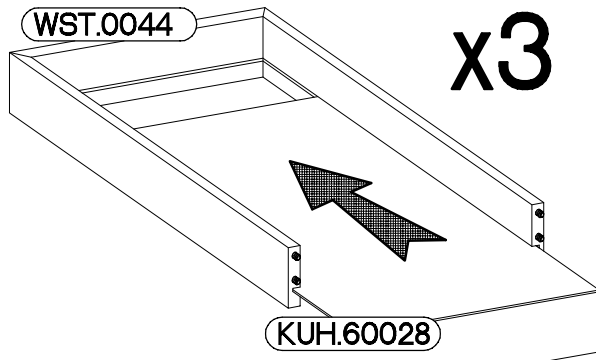
±8x30mm  A	0,05  O11
18	1



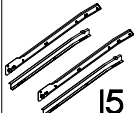


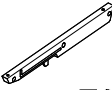

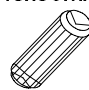
2

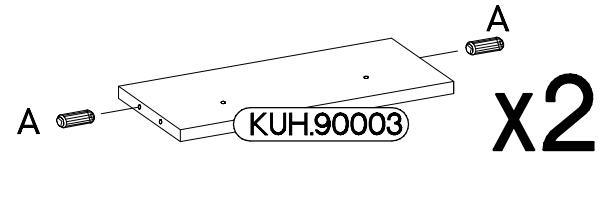
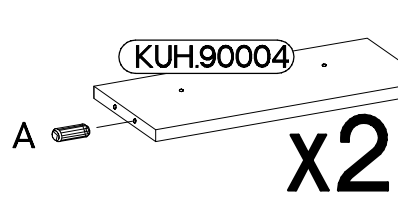
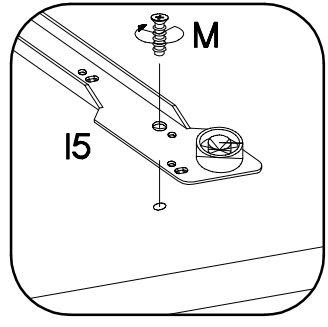
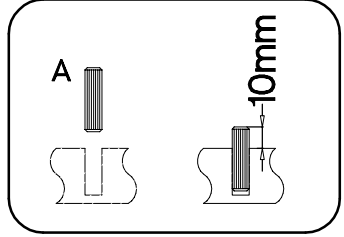
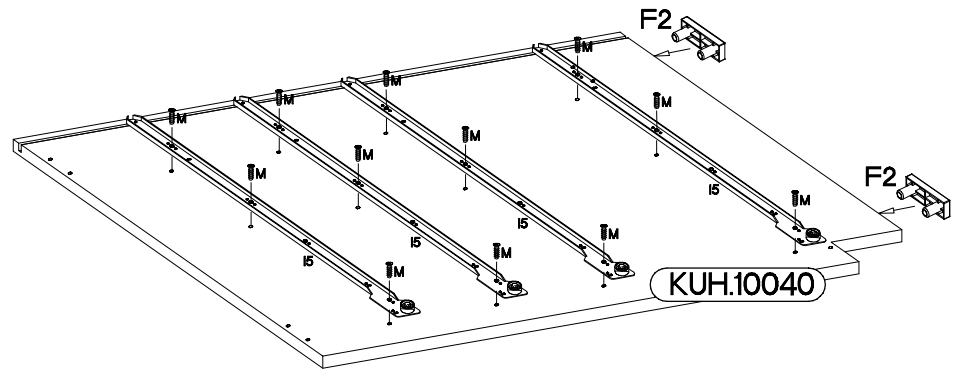
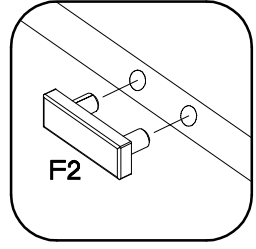
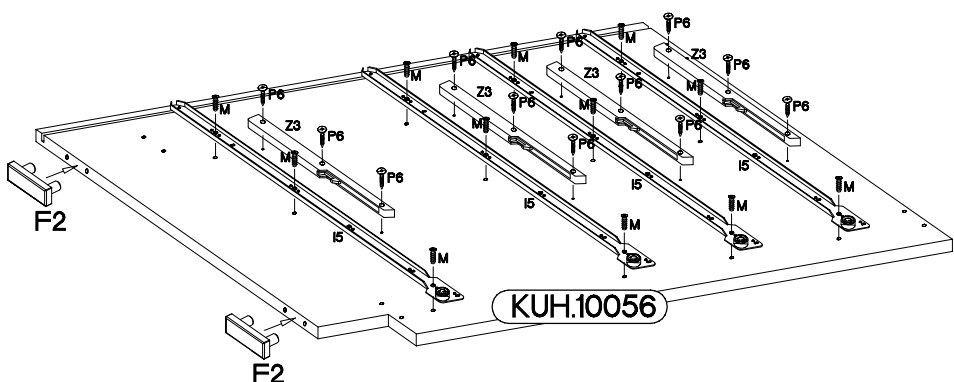
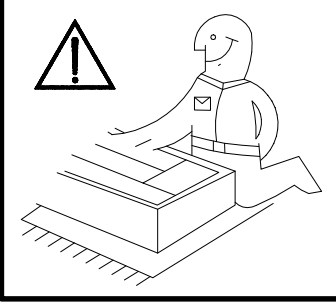
0,05  O11
1




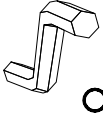



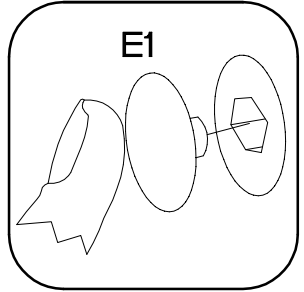
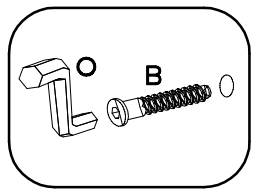
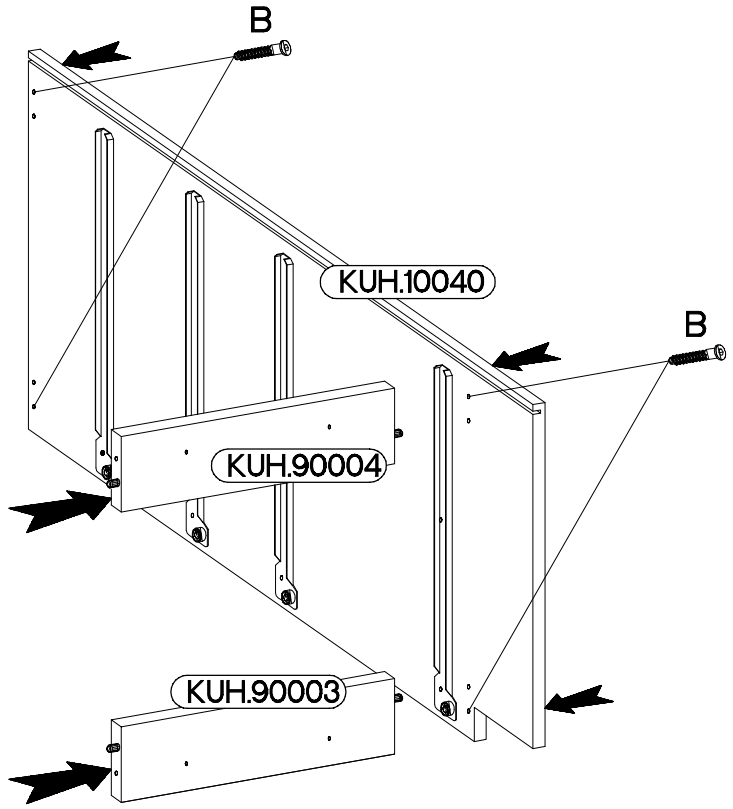
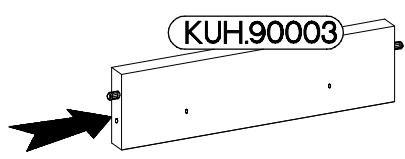
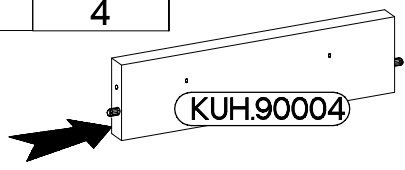
4

L=450mm  I5 4	±5.0x13mm  M 24	6.5x48x16  F2 4	 Z3 4	±3.5x20mm  P6 12	±8x30mm  A 8
--	--	--	---	---	---



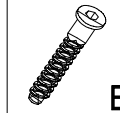
5

6,4 x 50mm  B 4	 O 1	 E1 4
---	---	--



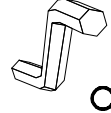
6

6,4 x 50mm



B

4



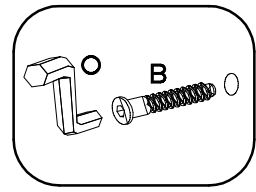
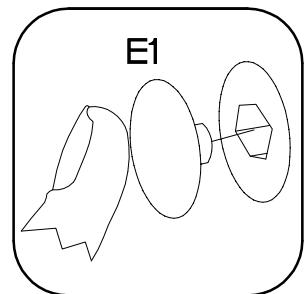
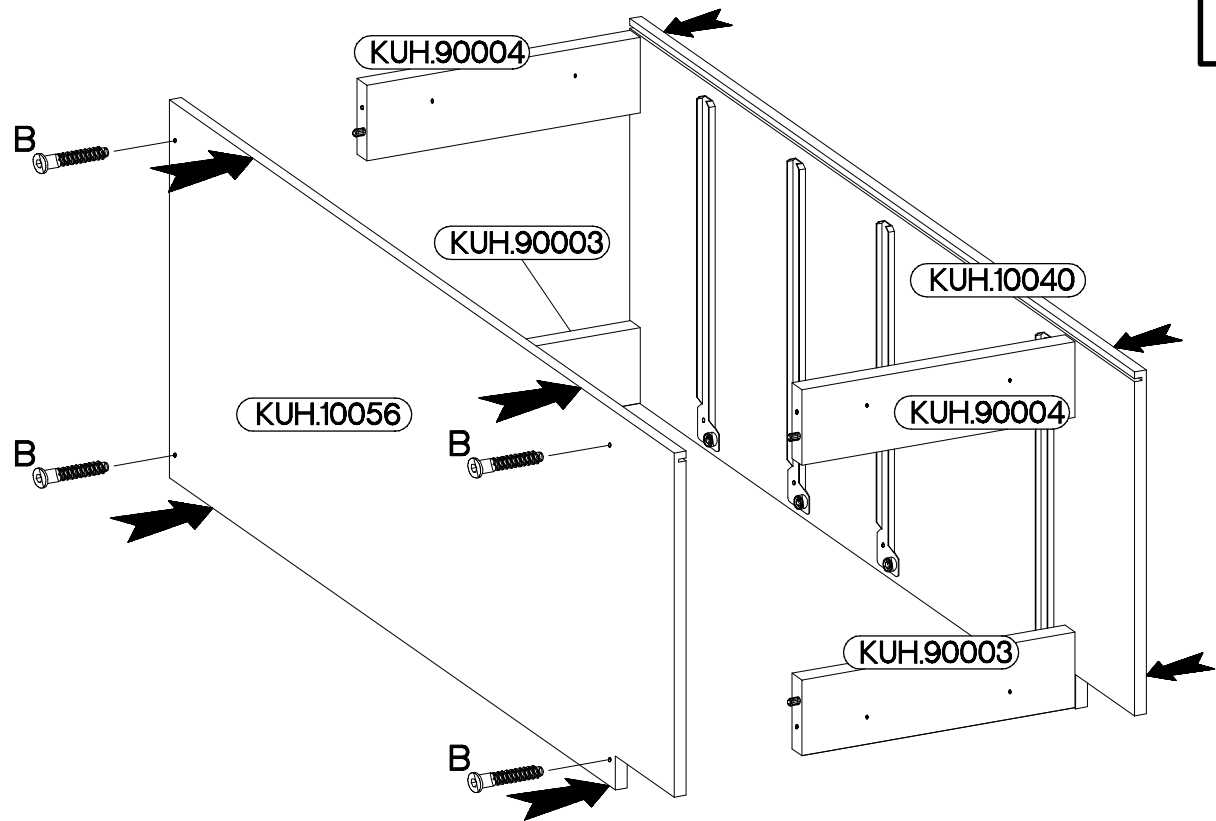
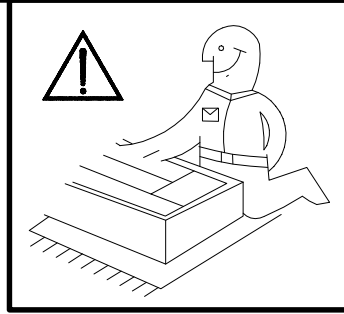
O

1

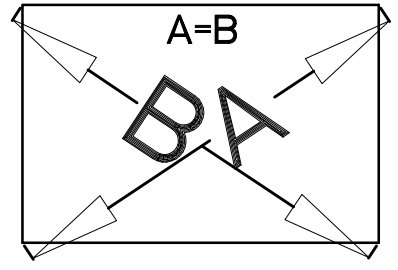
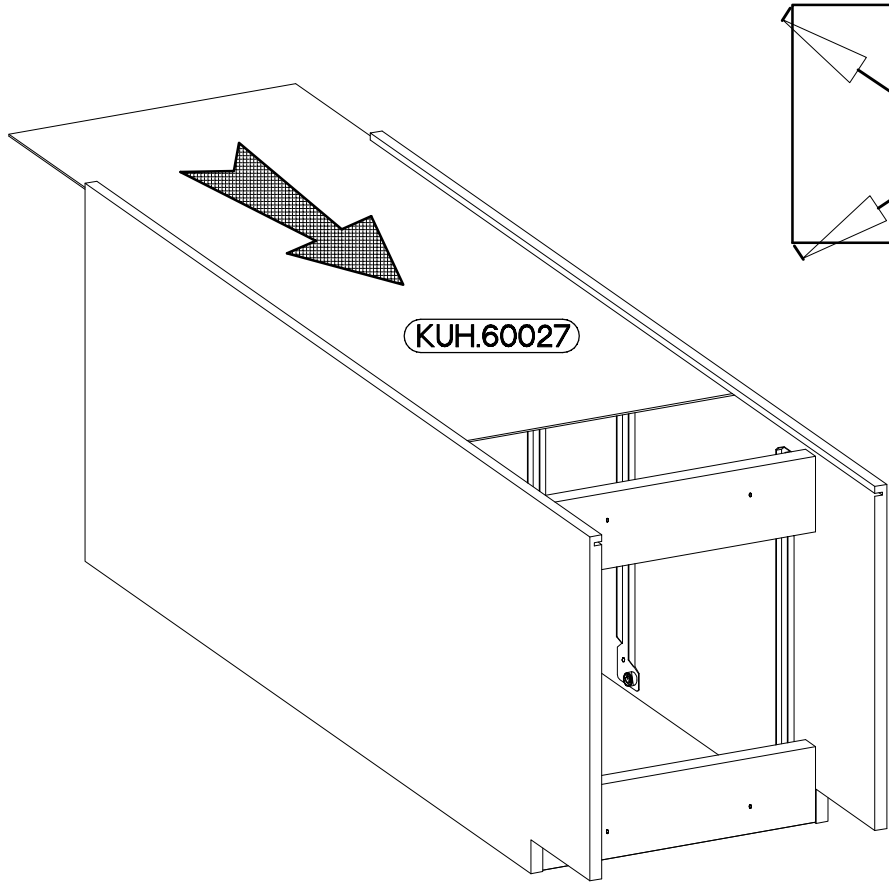


E1


4

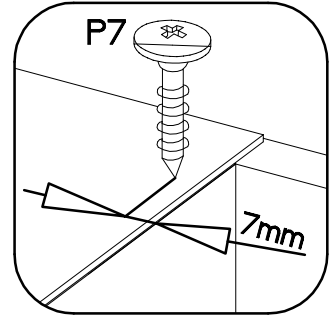
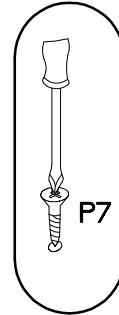
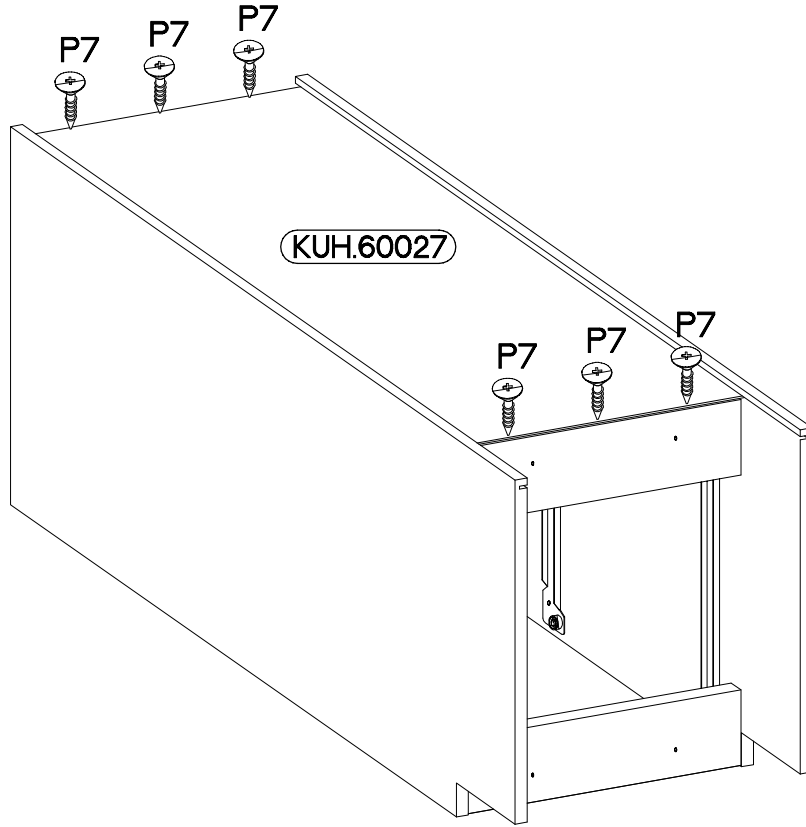
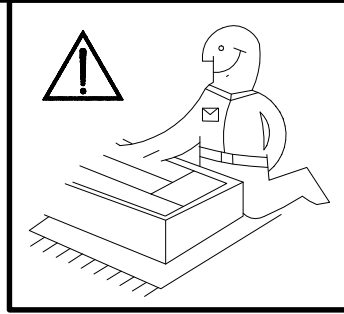


7

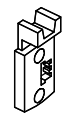



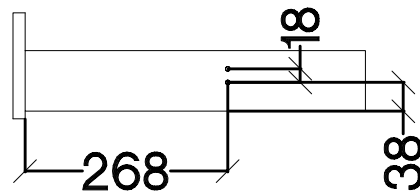
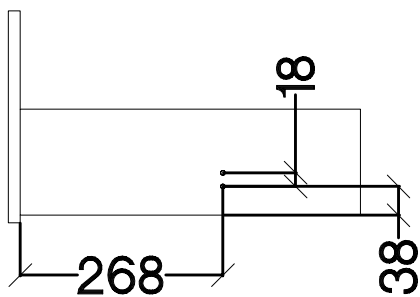
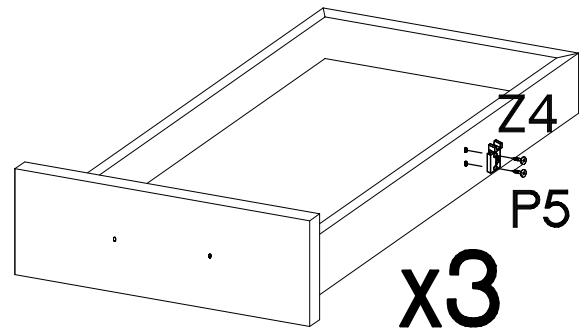
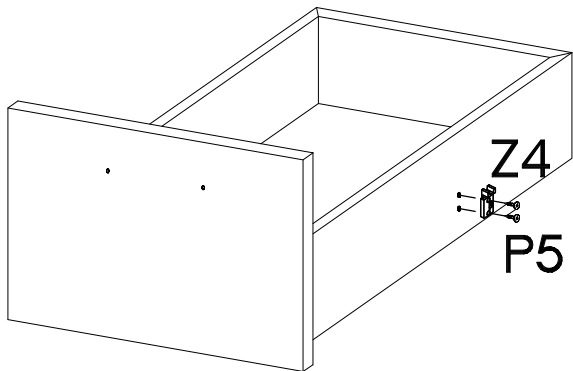
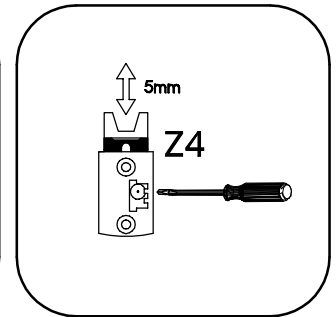
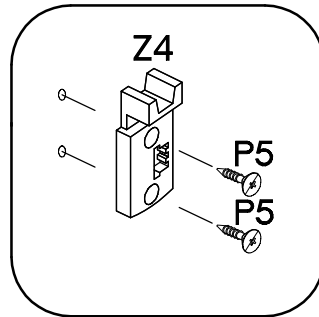
8

±3.0x20mm

P7
8-10





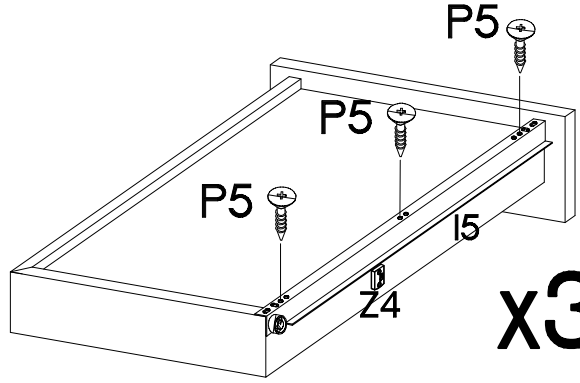
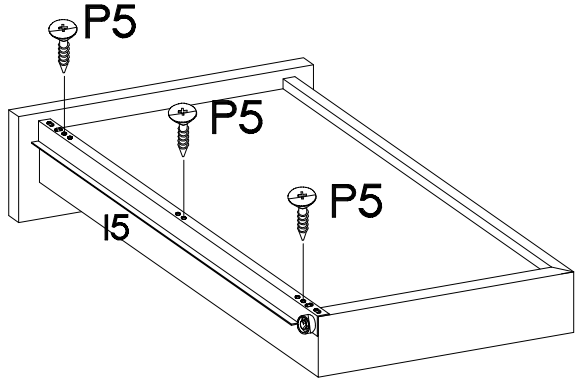
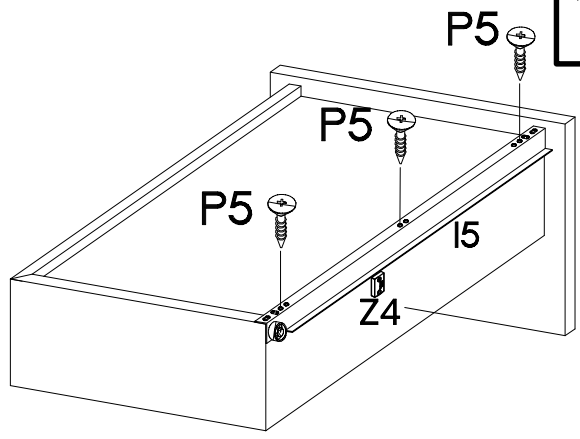
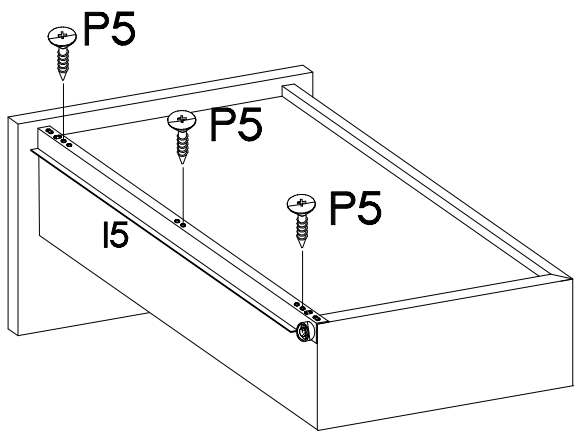
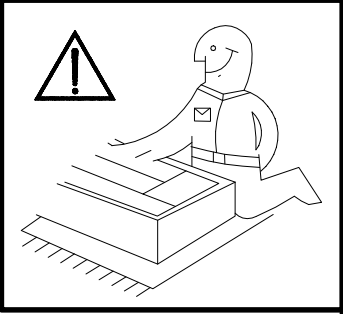
9

±3.5x13mm	
	Z4
8	4





# 10

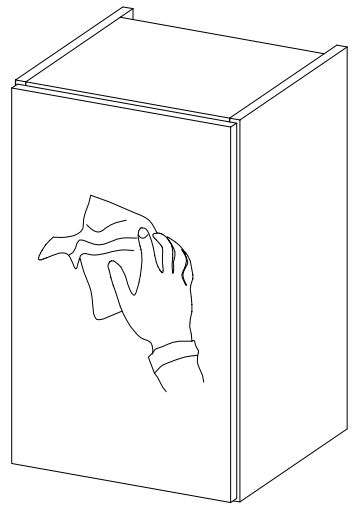
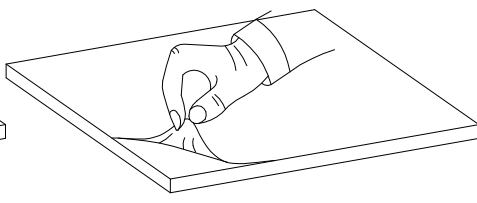
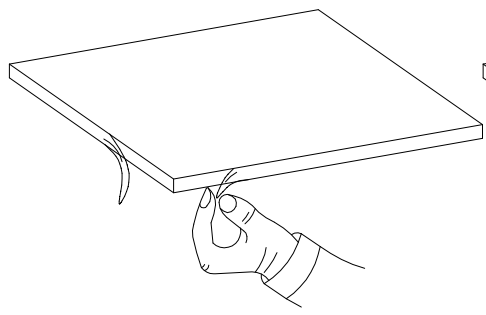
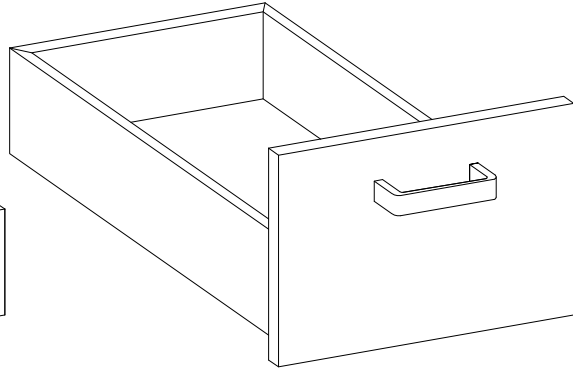
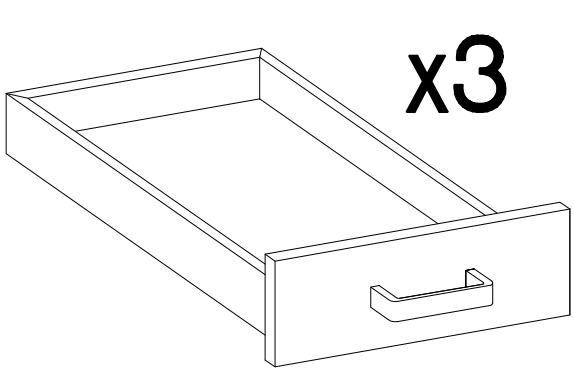
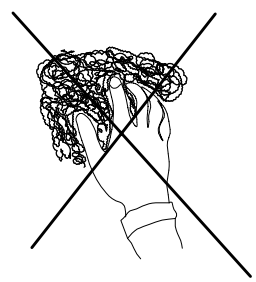
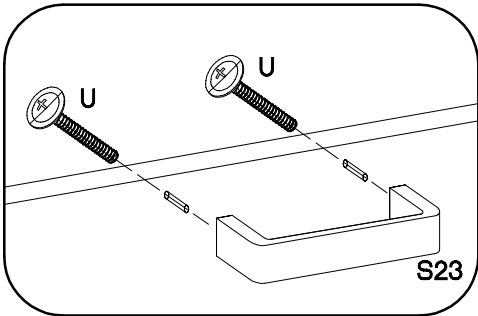
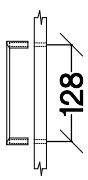
L=450mm  I5 4	+3.5x13mm  P5 24
--	---





# x3

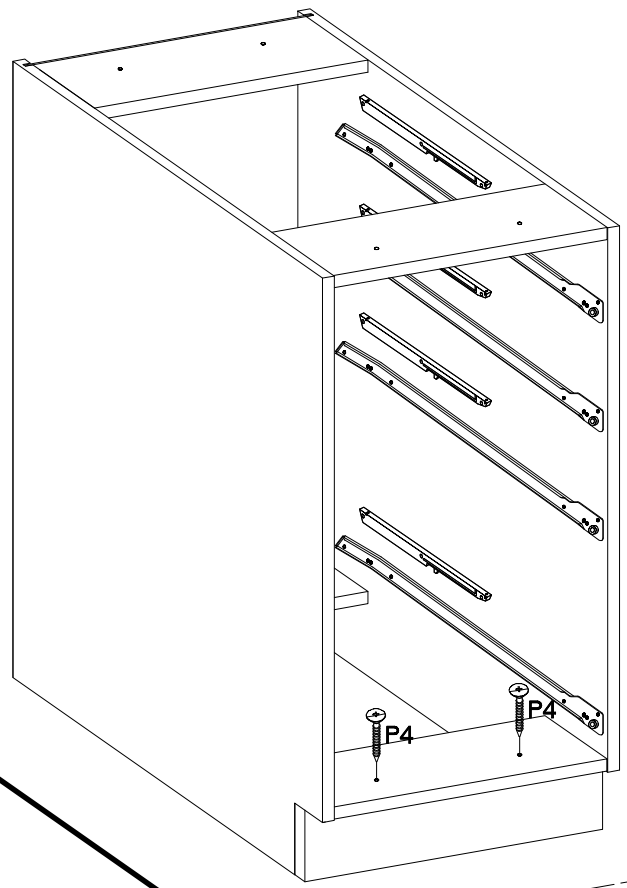
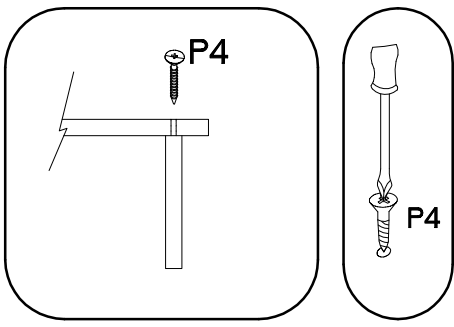
# 11

M4x22mm  U 8	 S23 4
--	---

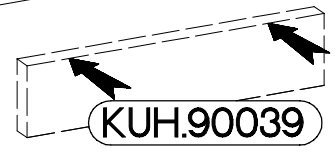
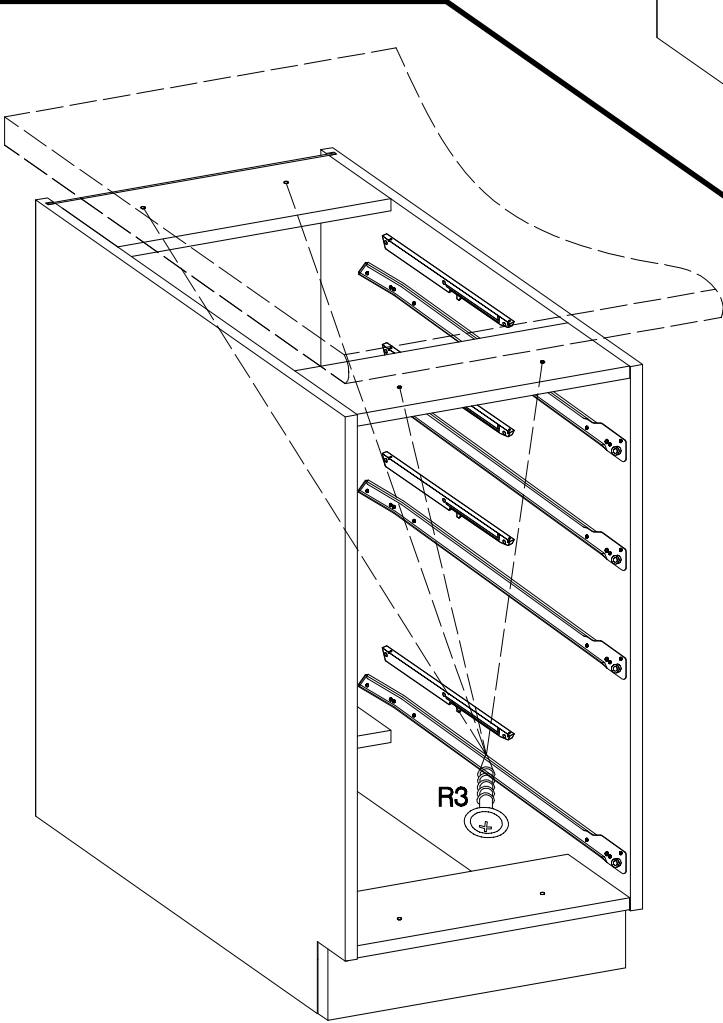



12

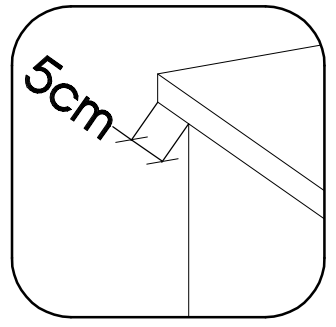
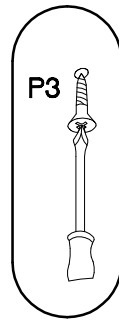
$\pm 4.0 \times 45 \text{mm}$  <b>P4</b> 2	 <b>E9</b> 2
---	--



13



$\pm 4.0 \times 35 \text{mm}$  <b>R3</b> 4
--



13

