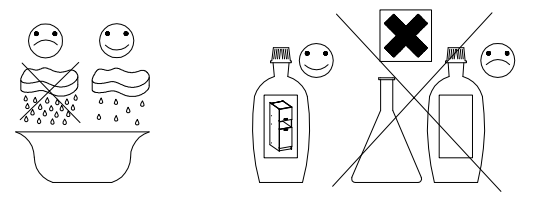
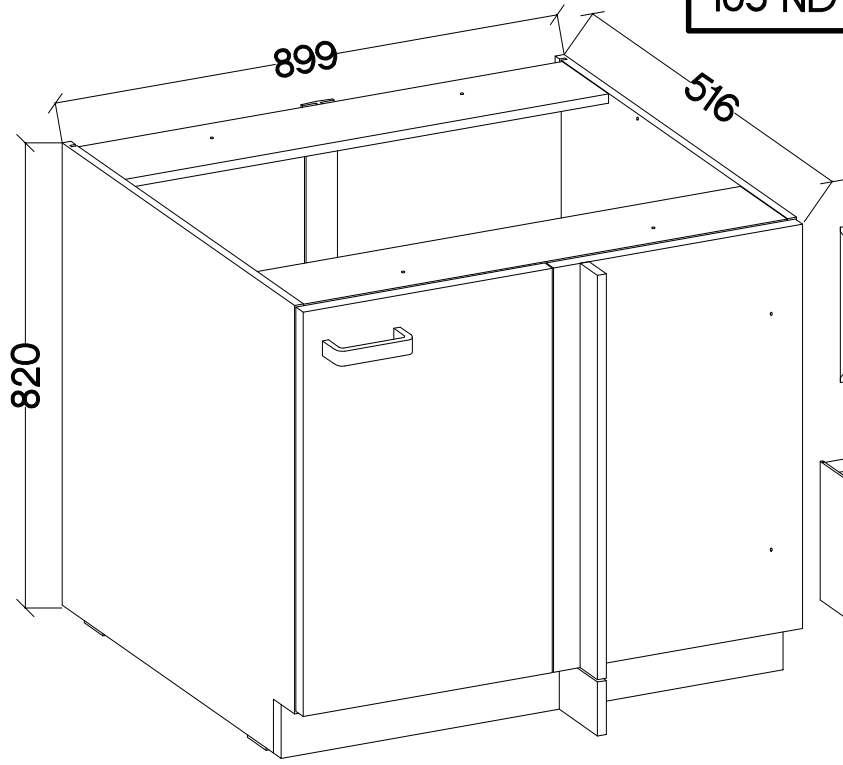
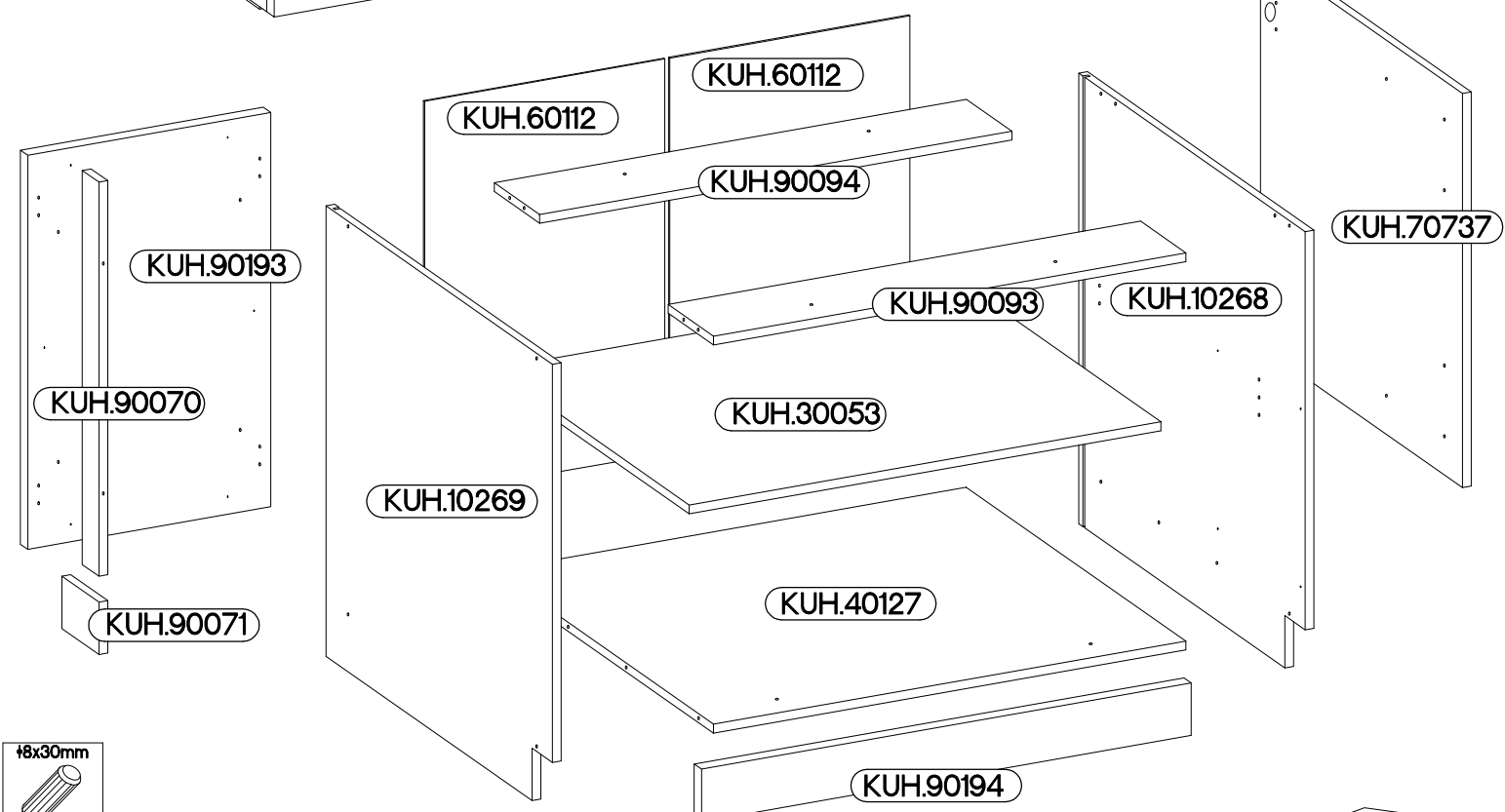
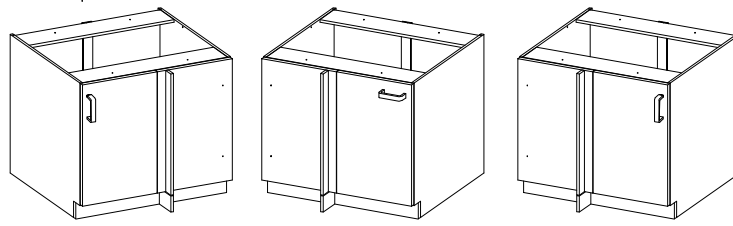
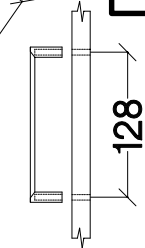


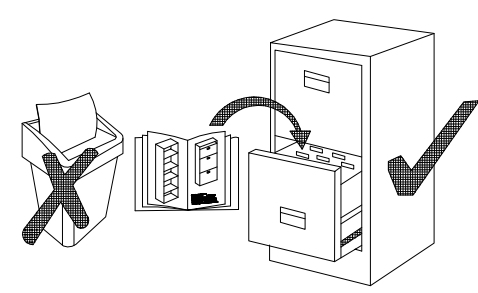
105 ND BB



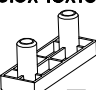
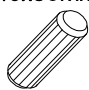
max. 10kg  
 KUH.30053  
 KUH.40127

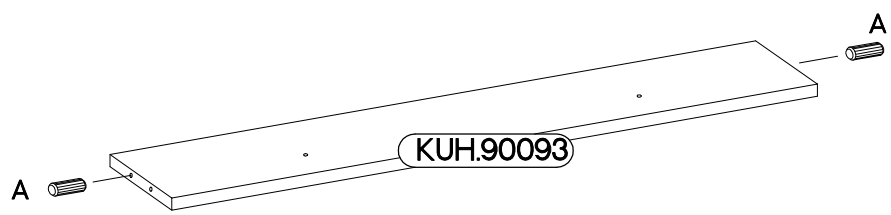
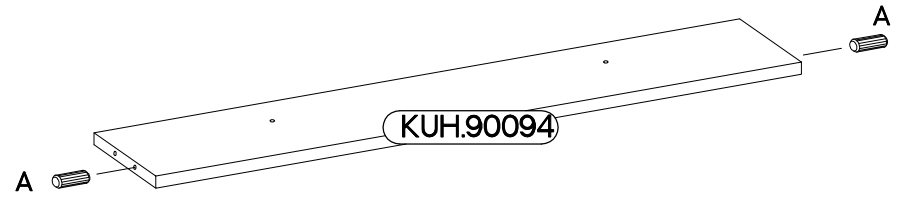
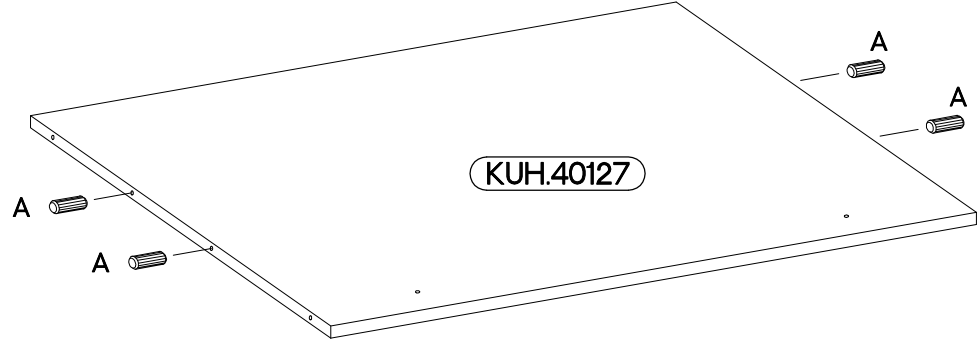
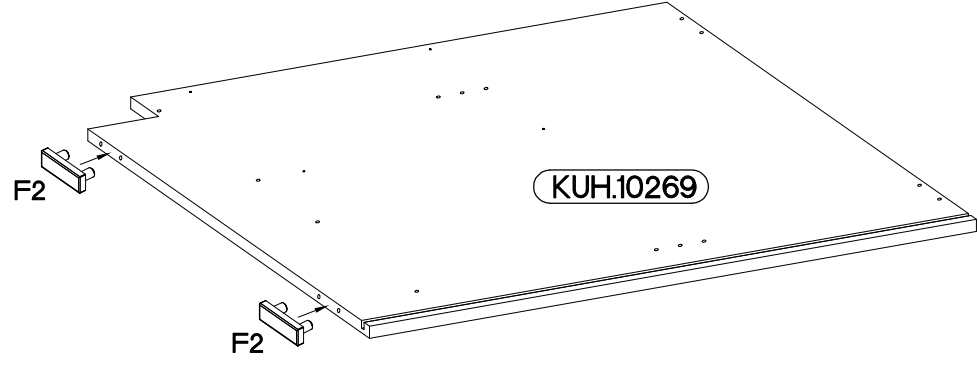
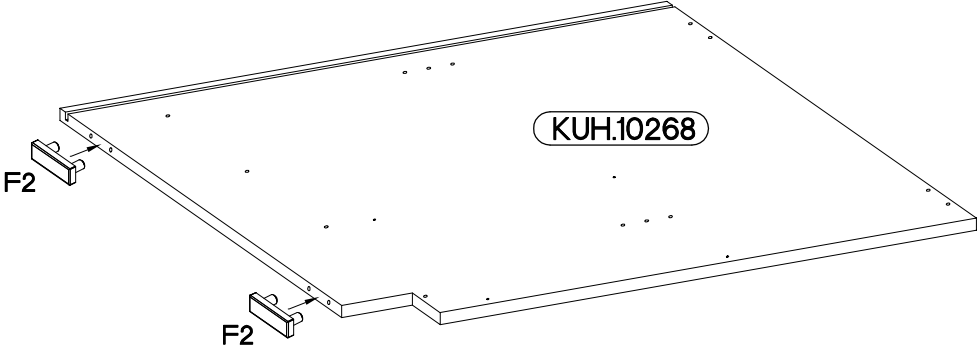
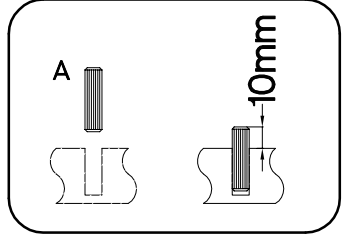
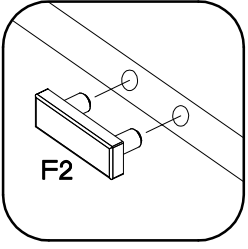
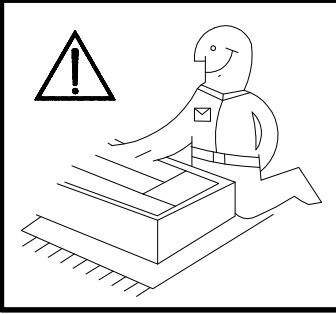


B	B1	E1	E9	F2	HG6	J	L1	O
P1	P4	P5	P7	R3	S23	T3	T10	U
8	2	8	2	4	2	4	1	1
10	2	12	15-20	4	1	5	2	2






ISM-KUH-01050

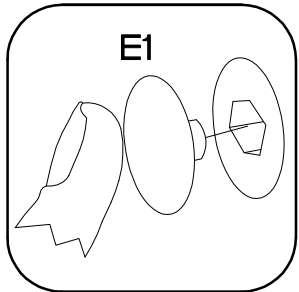
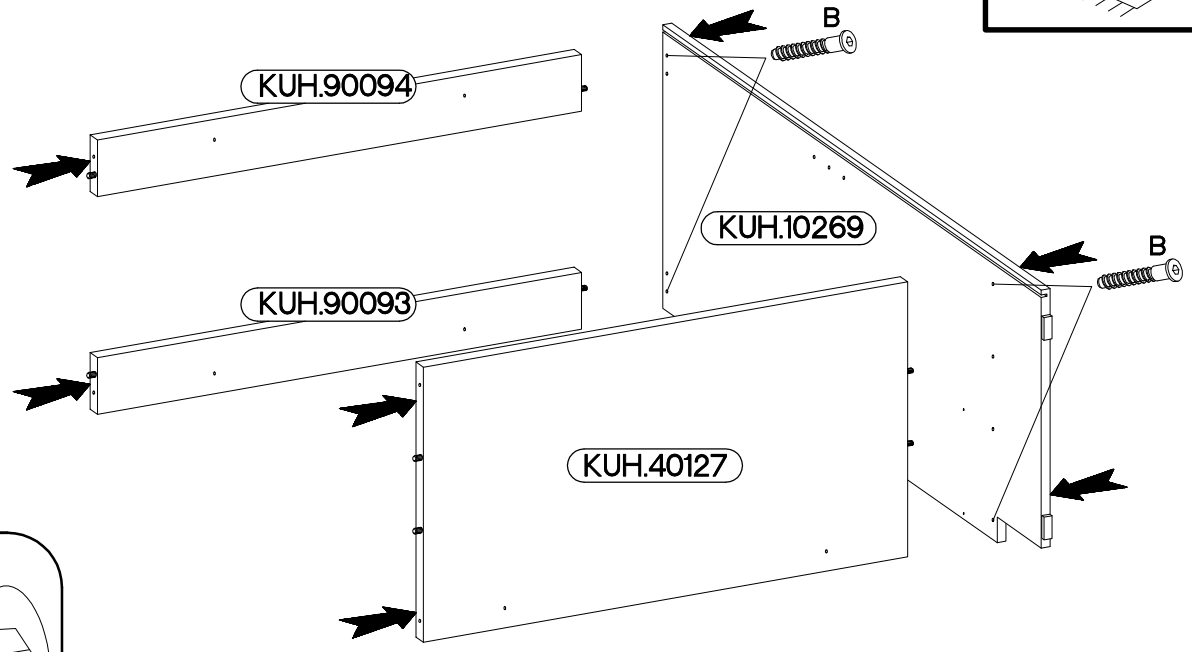
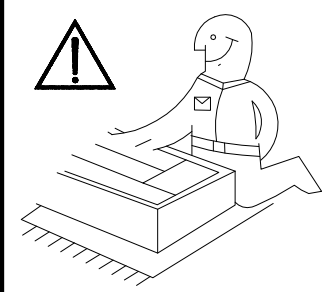
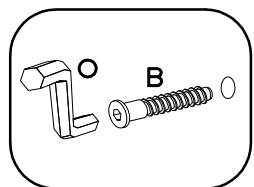
6.5x48x16  F2 4	+8x30mm  A 8
--	---



# 2

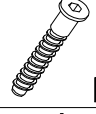
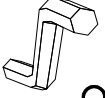

6,4 x 50mm

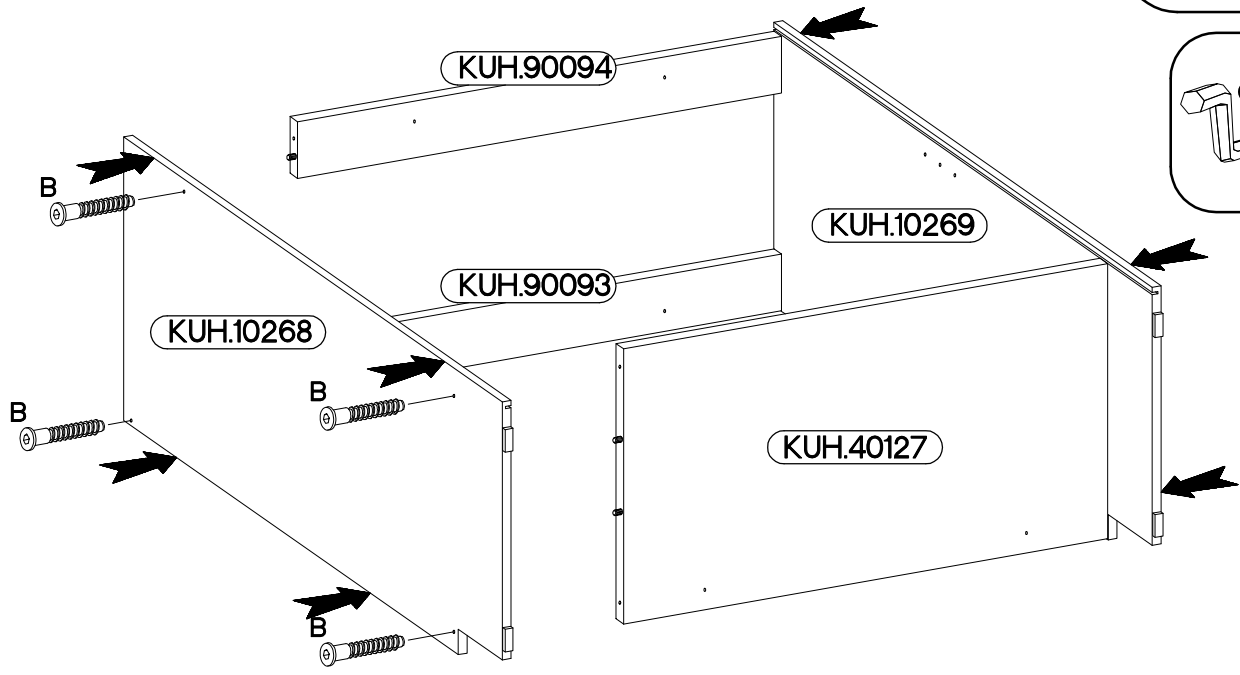
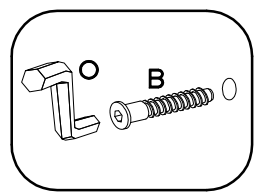
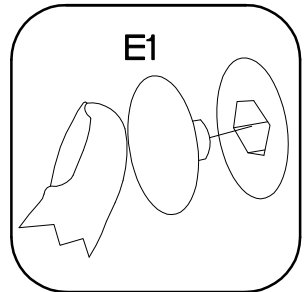
 B	 O	 E1
4	1	4



# 3



6,4 x 50mm

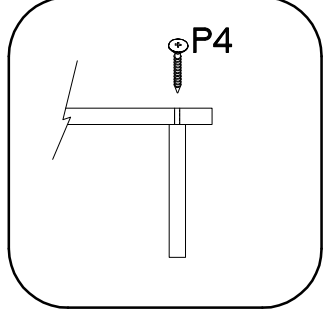
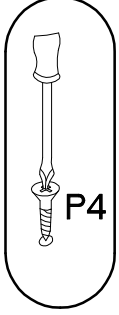
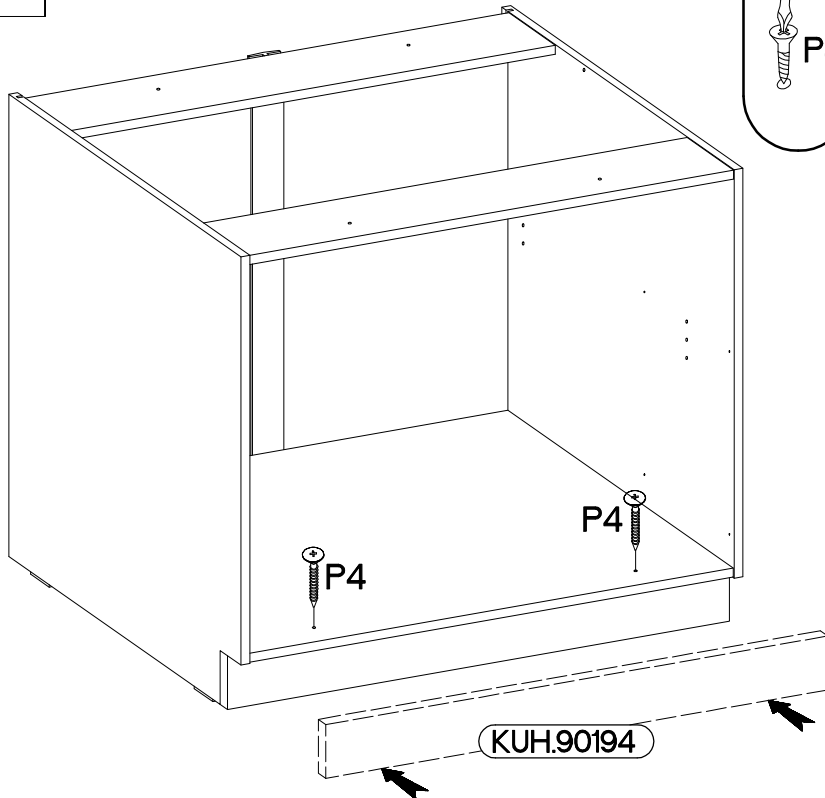
 B	 O	 E1
4	1	4



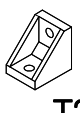

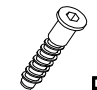
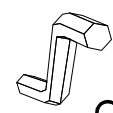


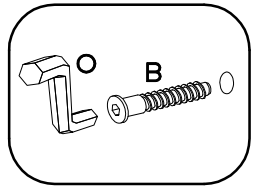
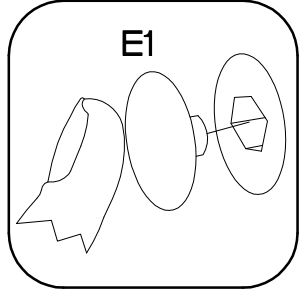
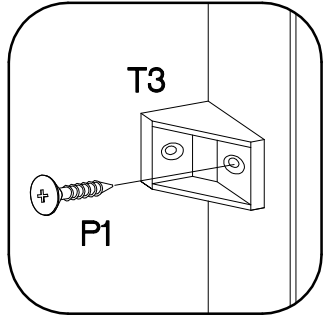
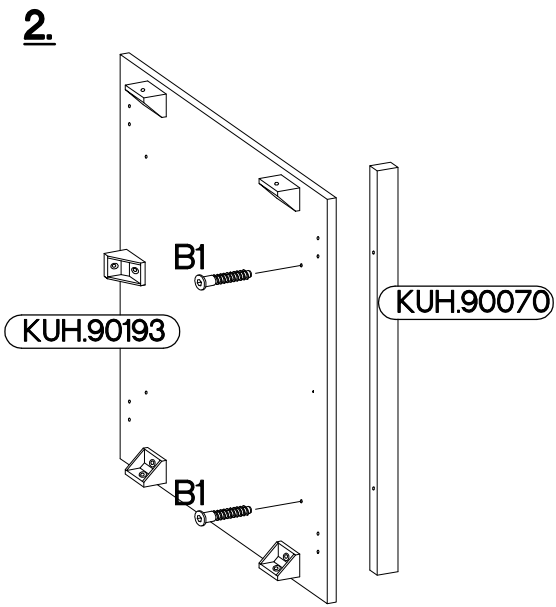
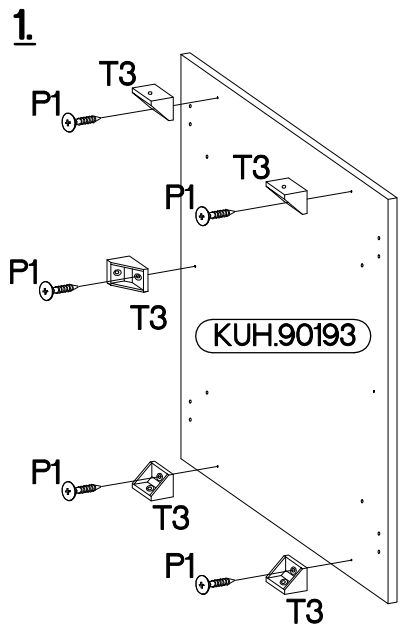
6

$\pm 4.0 \times 45 \text{mm}$  P4 2	 E9 2
--	---

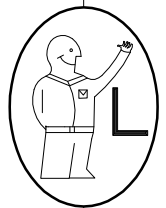
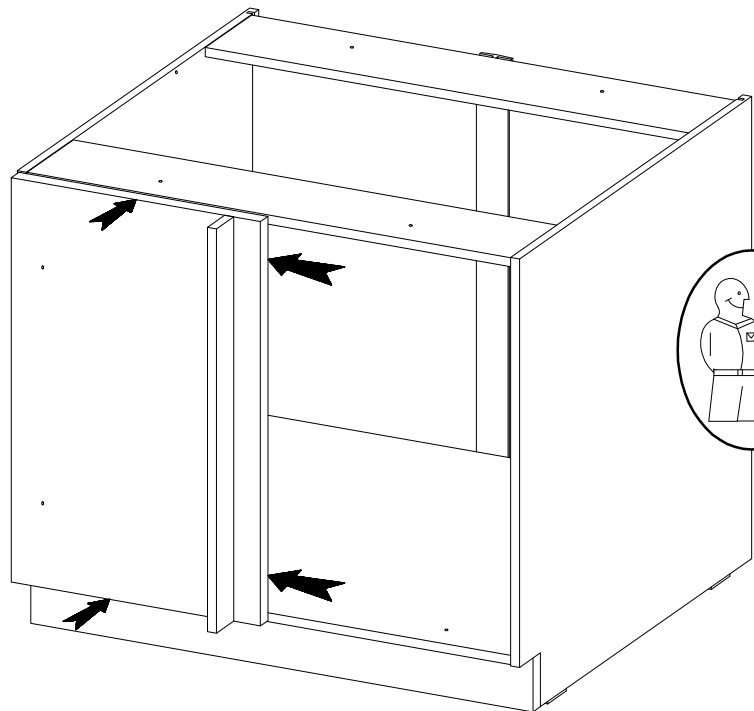
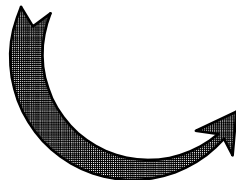
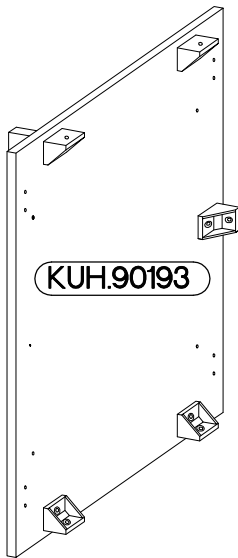
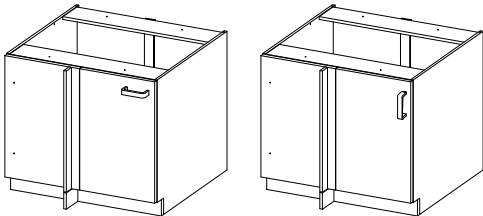
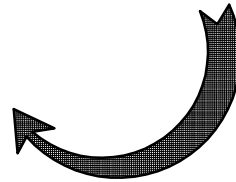
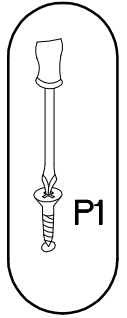
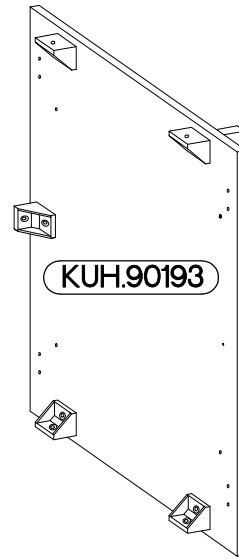
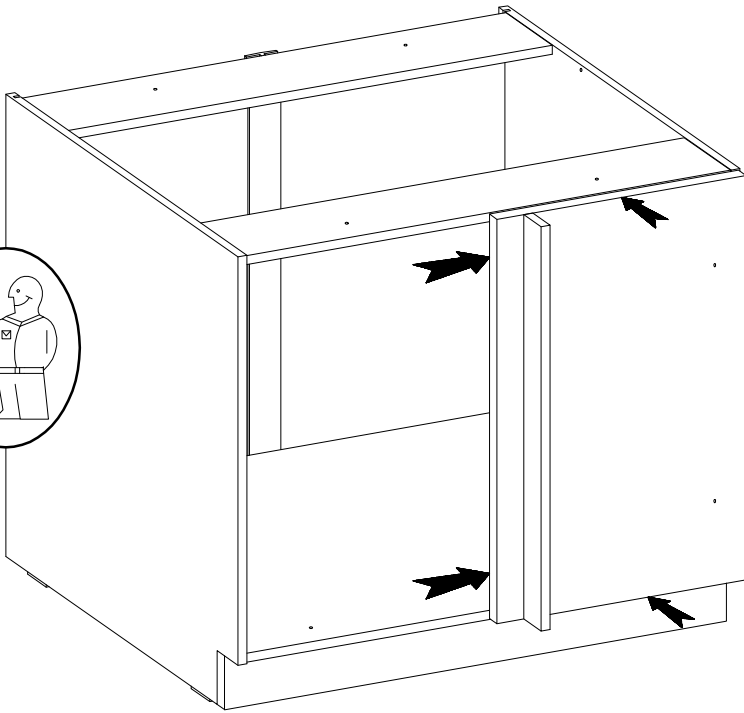
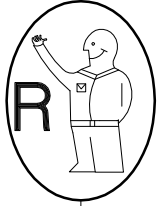
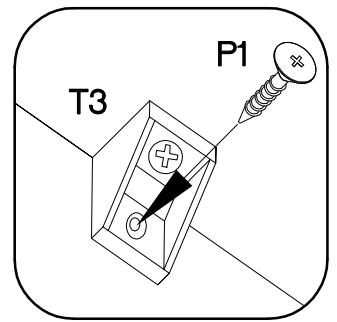
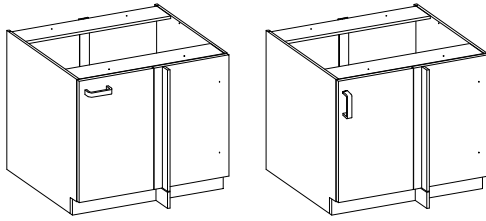


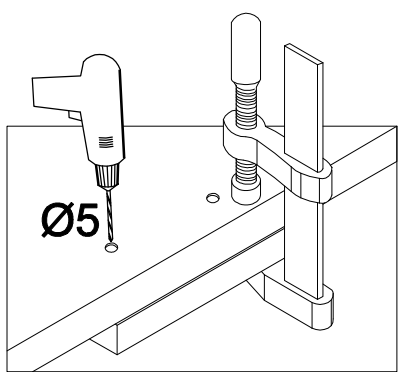
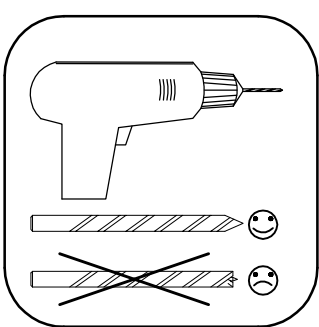
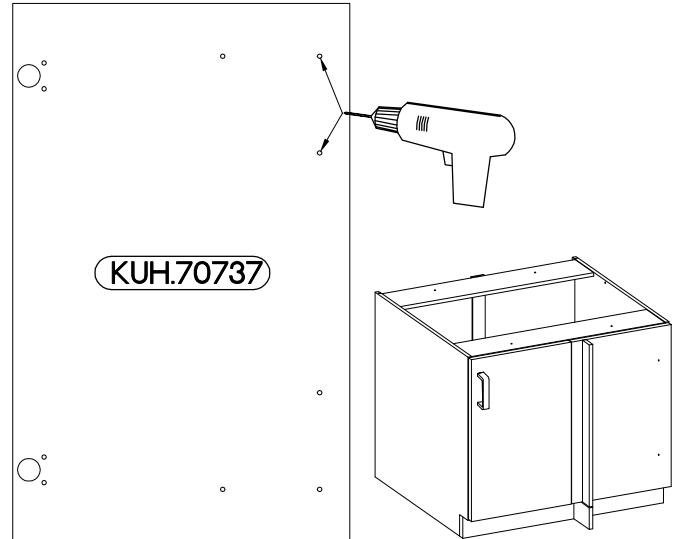
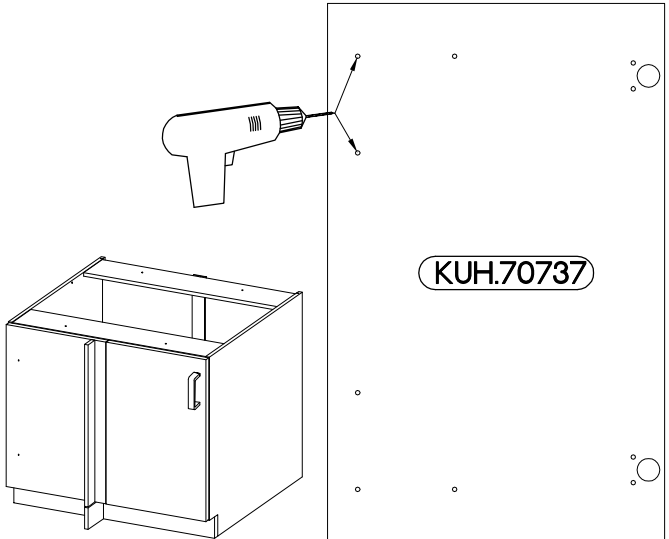
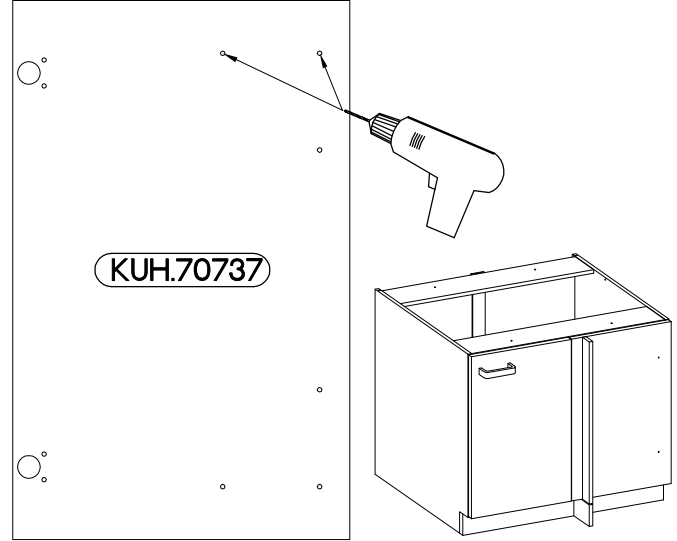
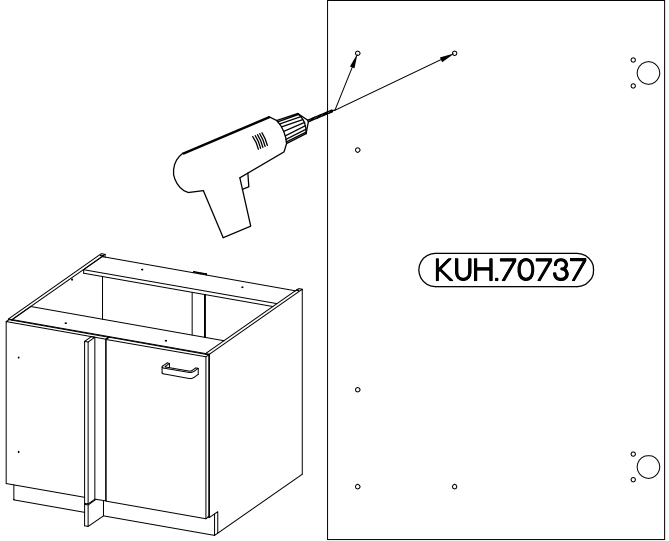
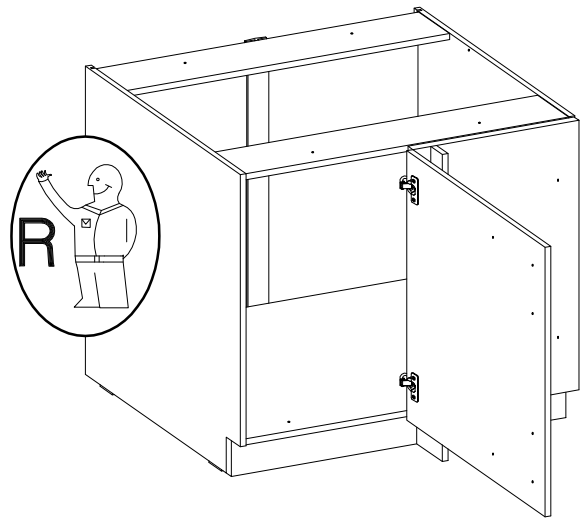
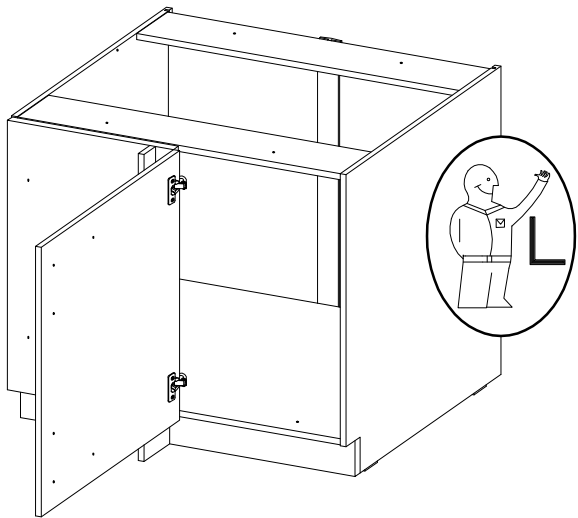
7

 T3 5	$\pm 4.0 \times 16 \text{mm}$  P1 5	$\pm 6.4 \times 35 \text{mm}$  B1 2	 O 1
--	---	---	---





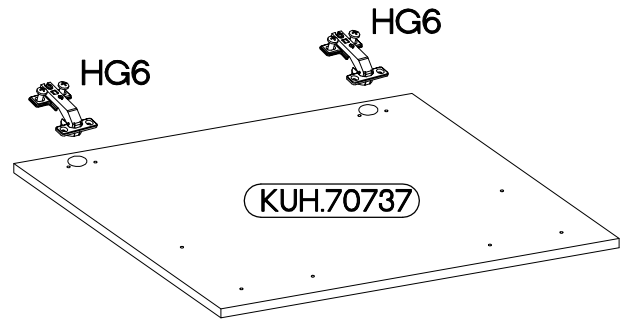
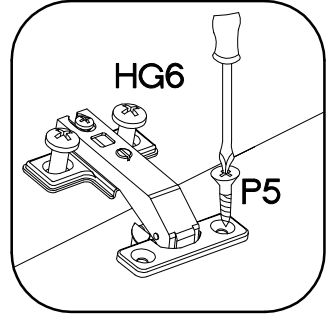
4.0x16mm  
P1  
5







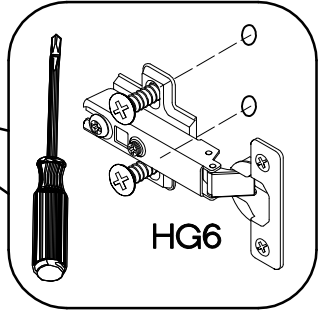
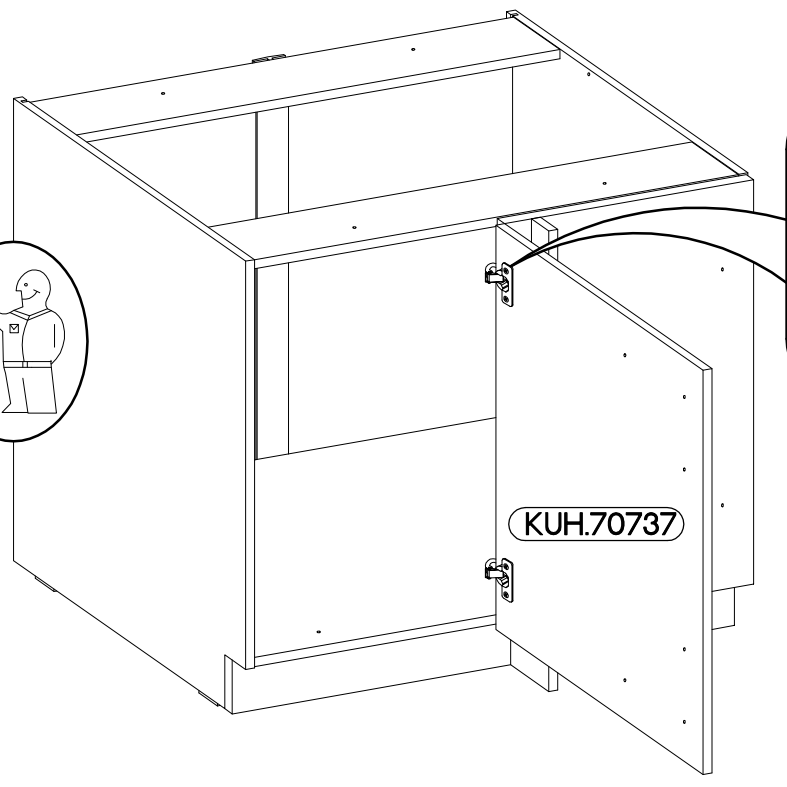
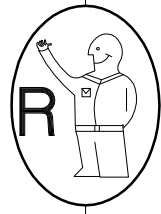
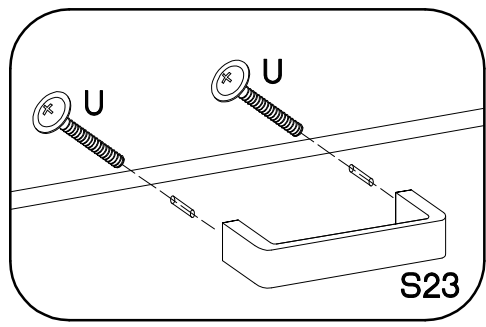
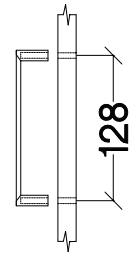
10

	
†35/90°	†3.5x13mm
HG6	P5
2	4

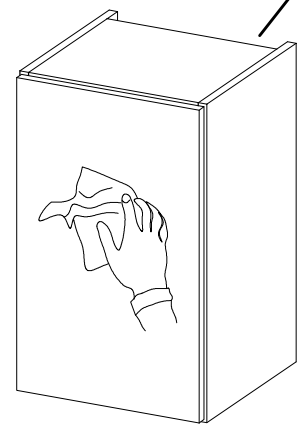
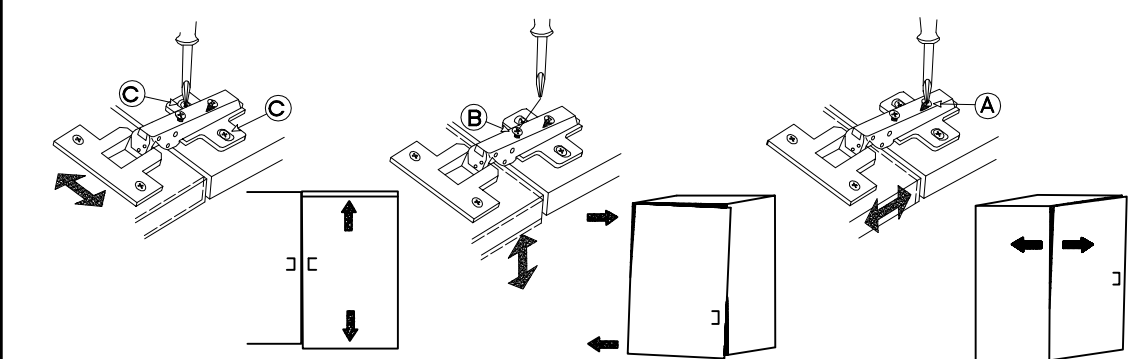
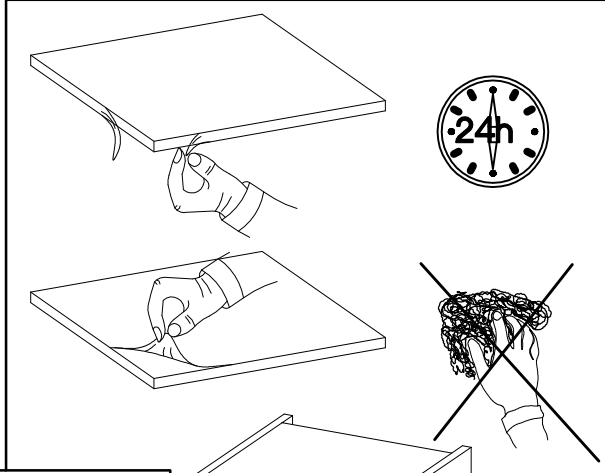


11

	
M4x22mm	
U	S23
2	1




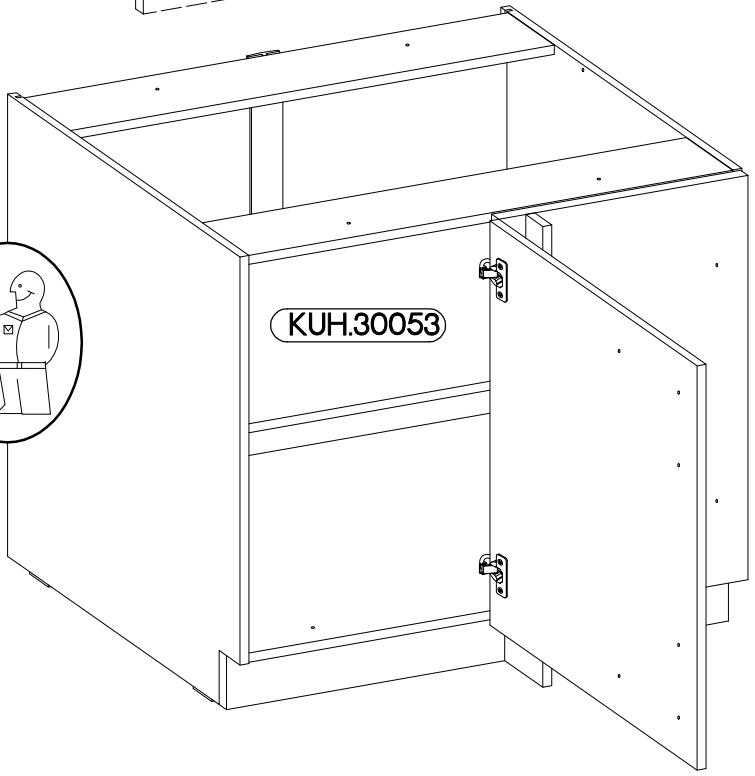
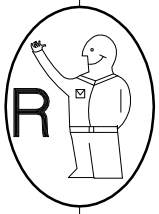
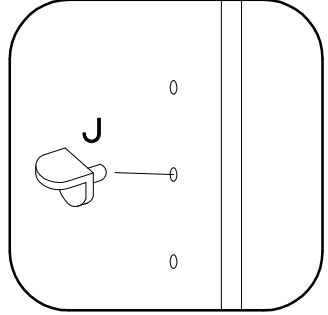
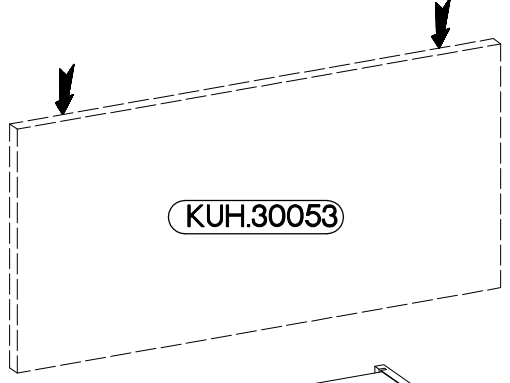
VARIANT HIGH GLOSS






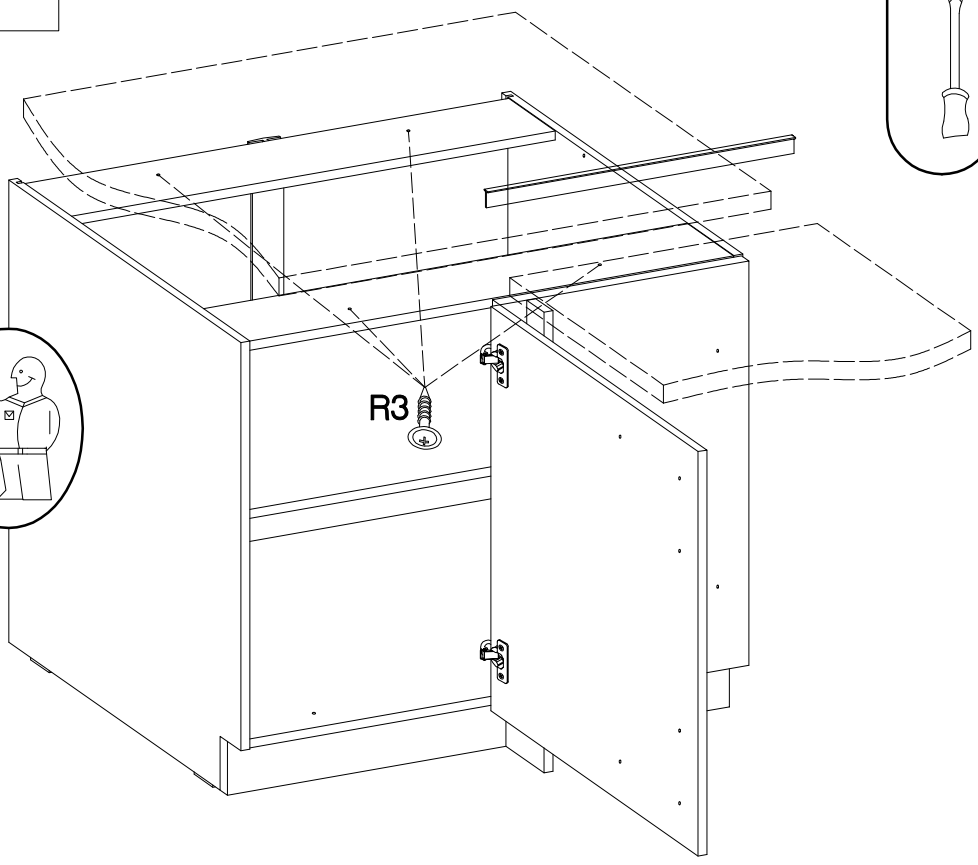
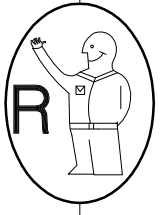
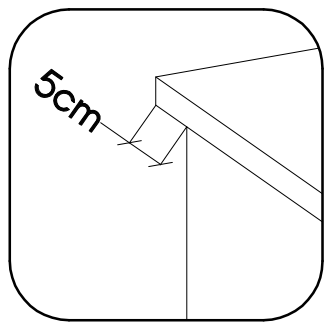
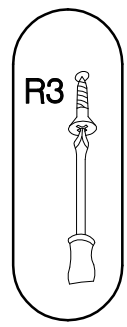
12



±5/19mm  
  
 J  
 4

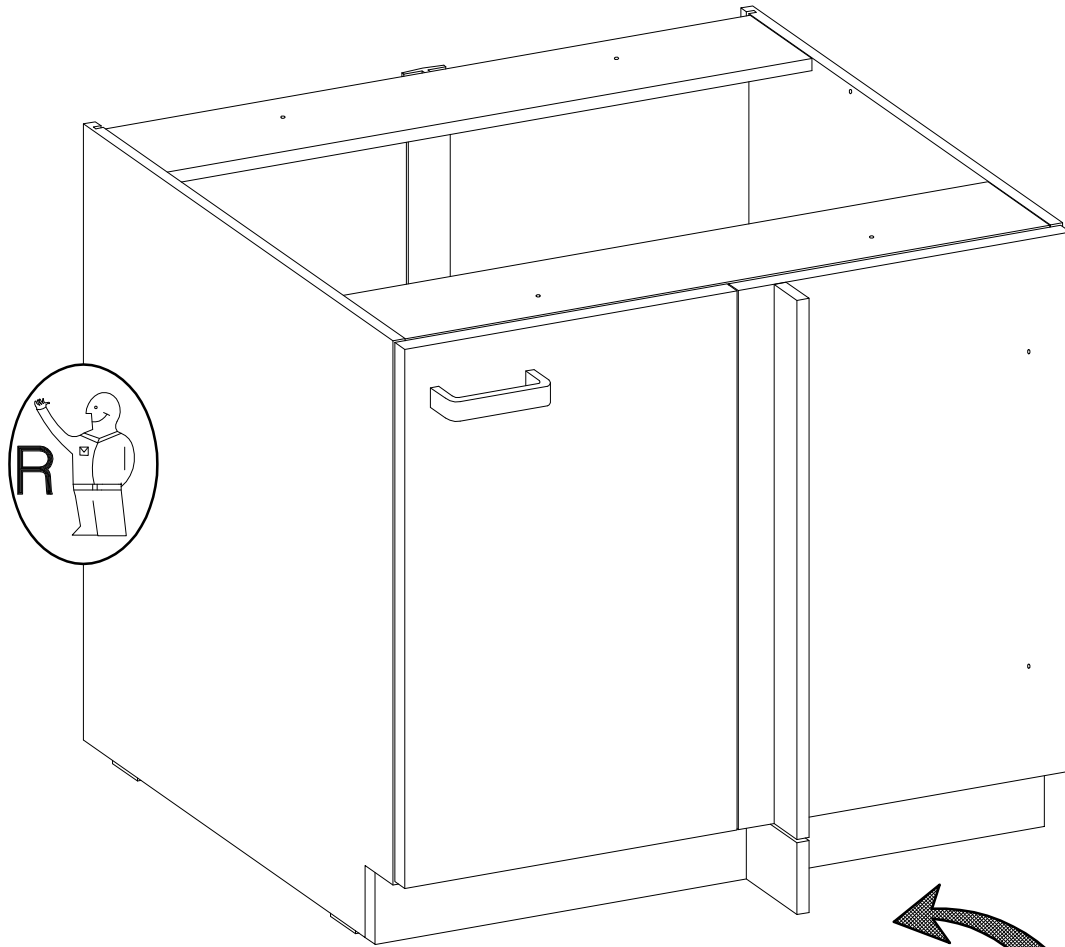
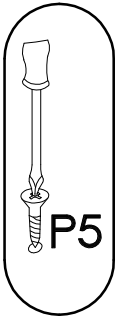


13

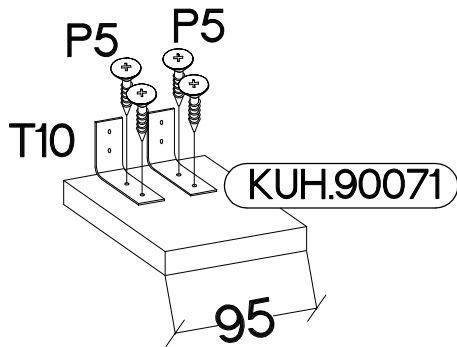
±4.0x35mm  
  
 R3  
 4



 T10 2	$\pm 3.5 \times 13 \text{mm}$  P5 8
--	--



1.



2.

