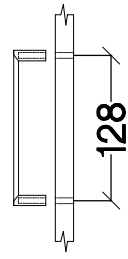
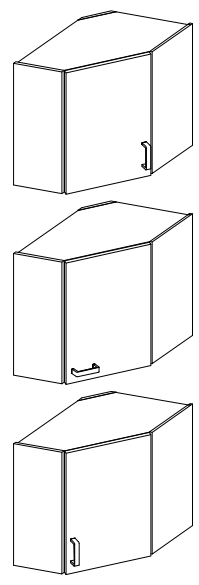
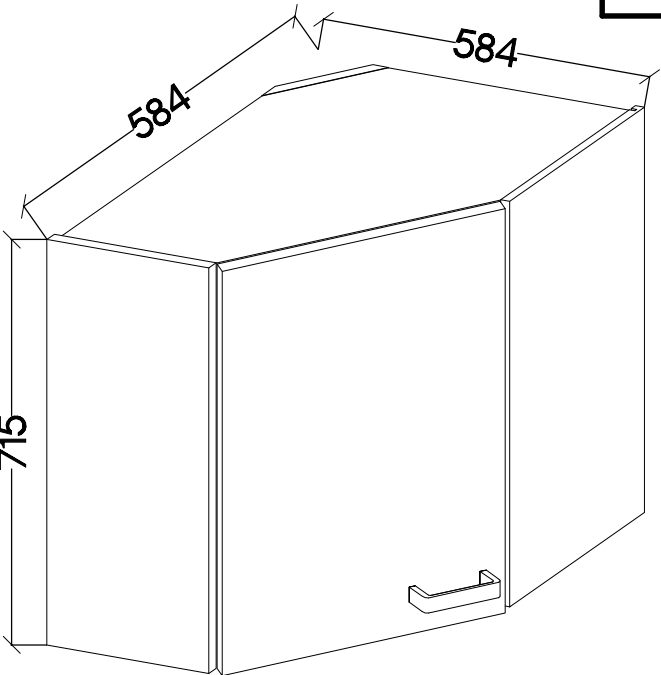
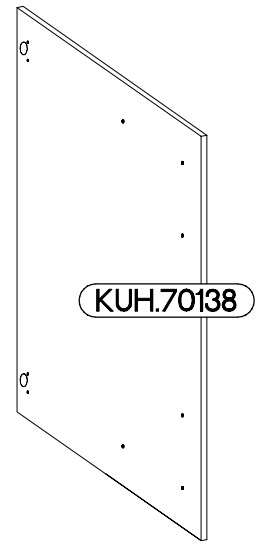
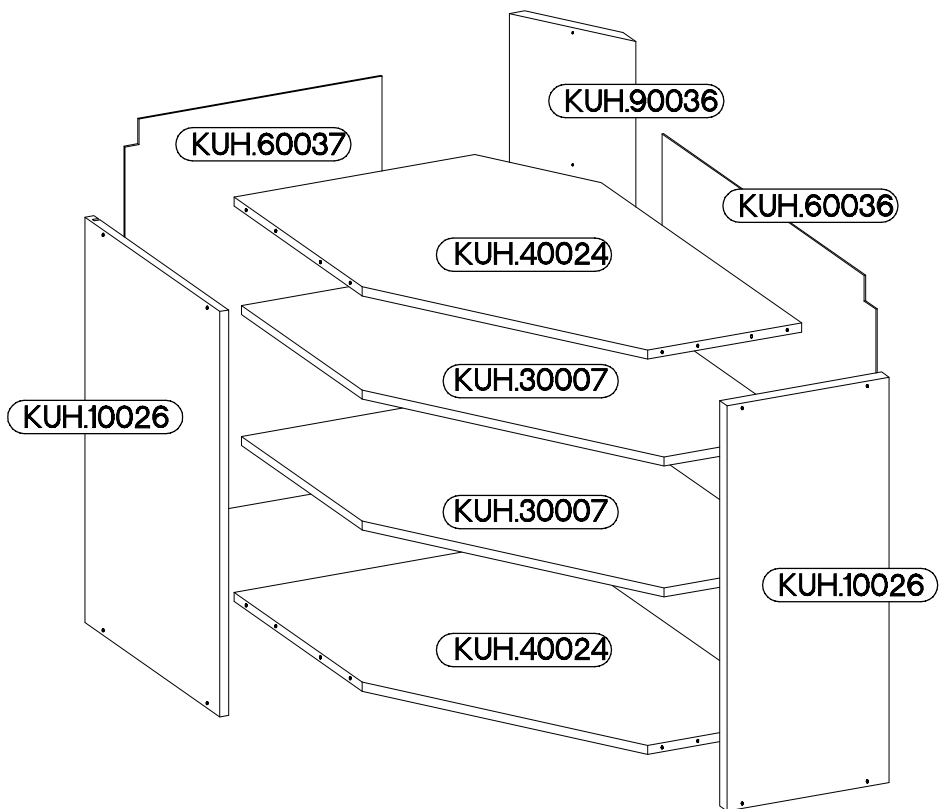
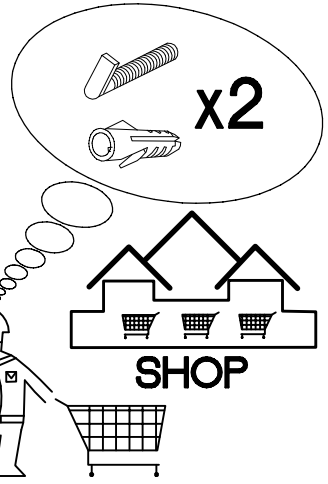
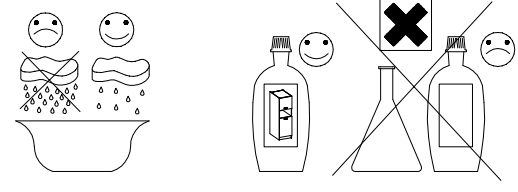


58x58 GN-72 1F

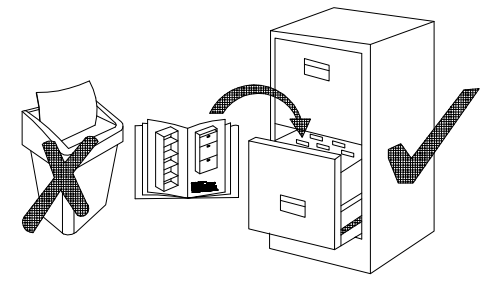


max. 5kg

KUH.30007
KUH.40024

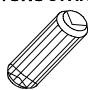
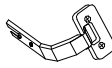


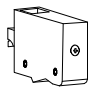


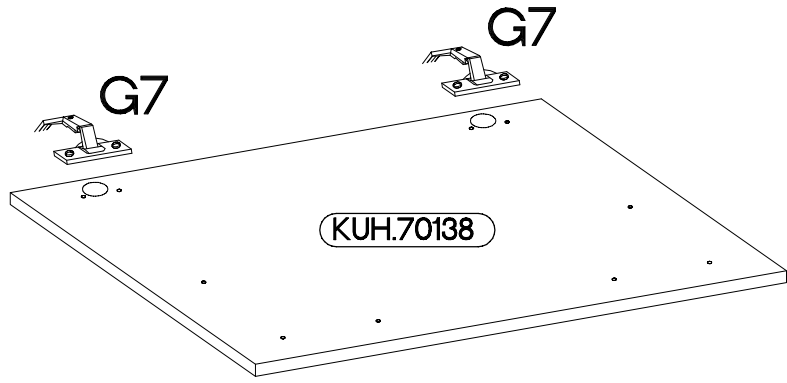
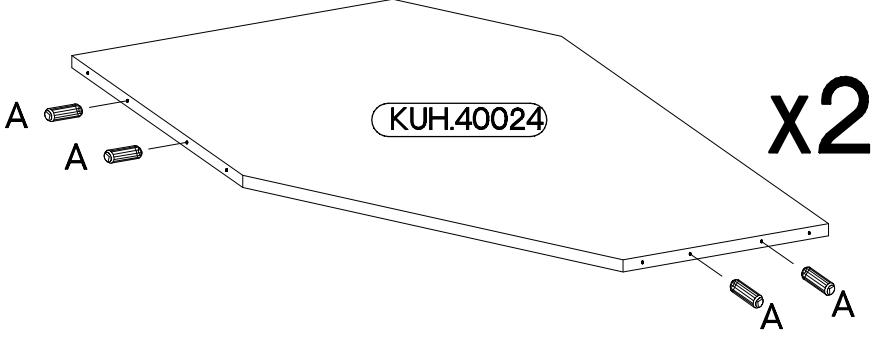
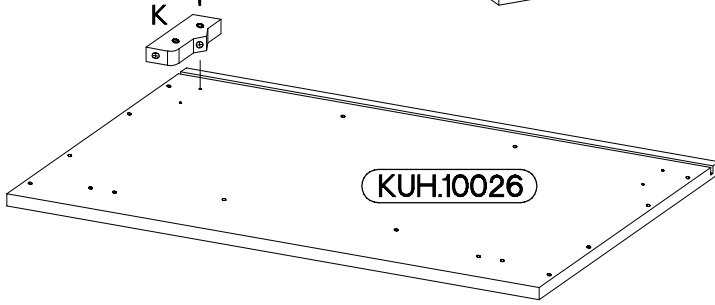
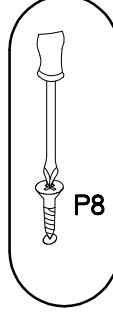
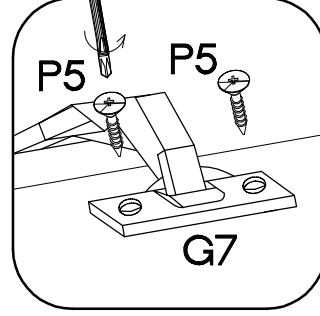
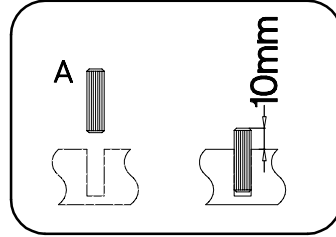
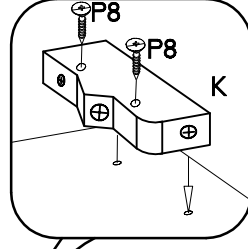
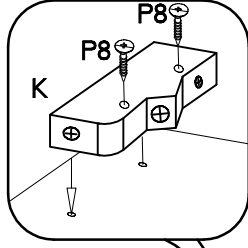
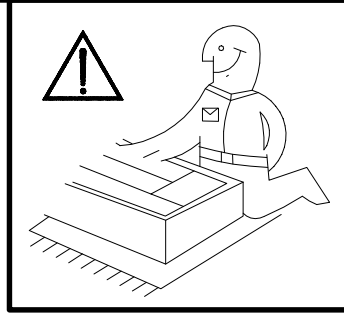
+8x30mm A 8	6,4 x 50mm B 10	 E1 8	 G7 2	 H 2	+5/19mm J 10	 K 2
 O 1	+3.5x13mm P5 4	+3.0x20mm P7 15-20	+4.0x30mm P8 4	 S23 1	M4x22mm U 2	



ISM-KUH-00943

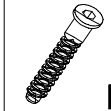
1

+8x30mm  A	 G7	+3.5x13mm  P5	+4.0x30mm  P8	 K
8	2	4	4	2



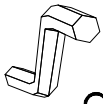
2

6,4 x 50mm



B

4



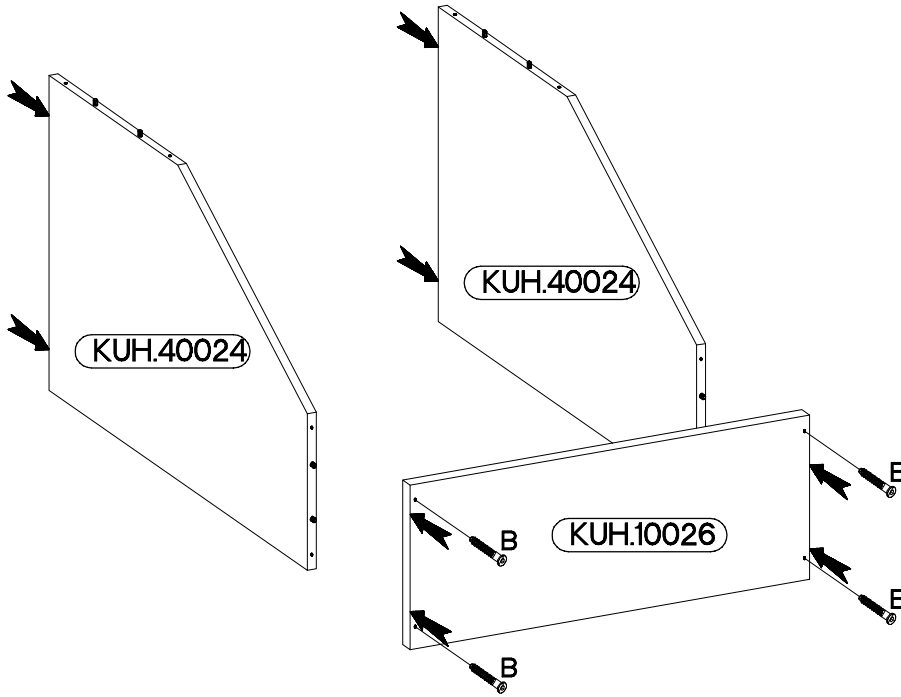
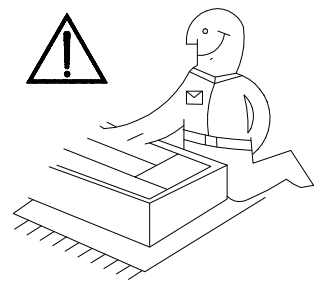
O

1

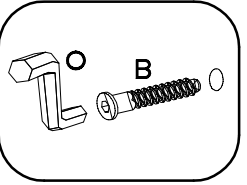
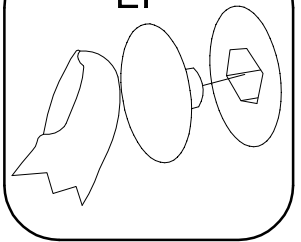


E1

4

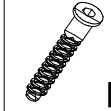


E1



3

6,4 x 50mm



B

4



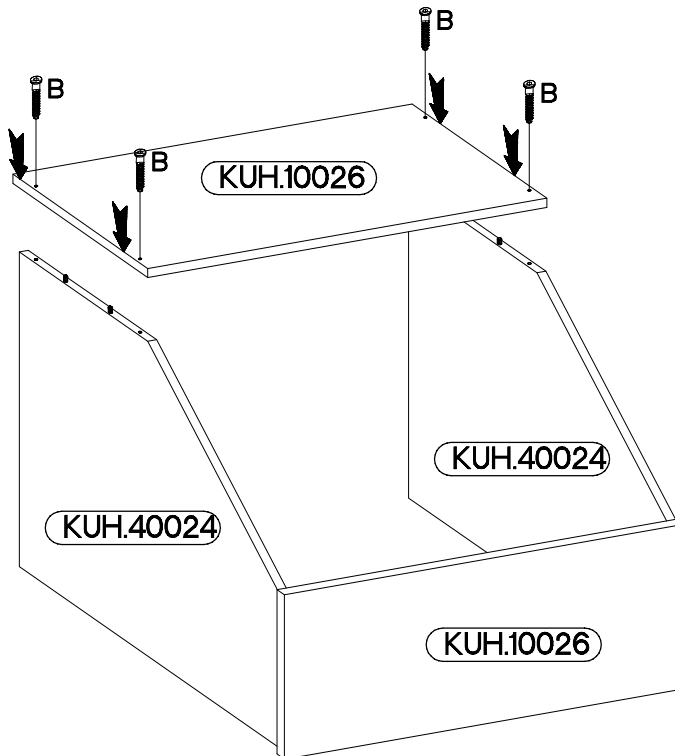
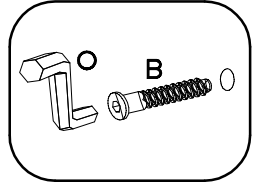
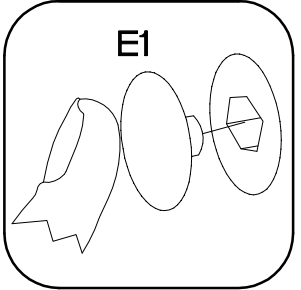
O

1




E1

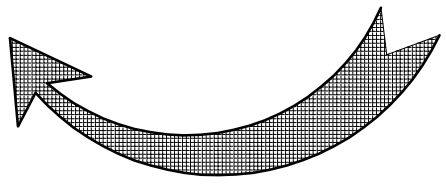
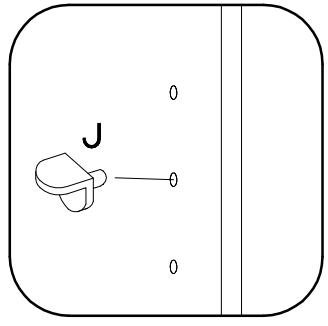
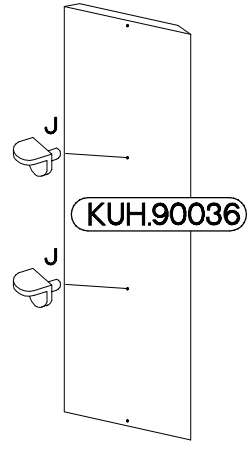
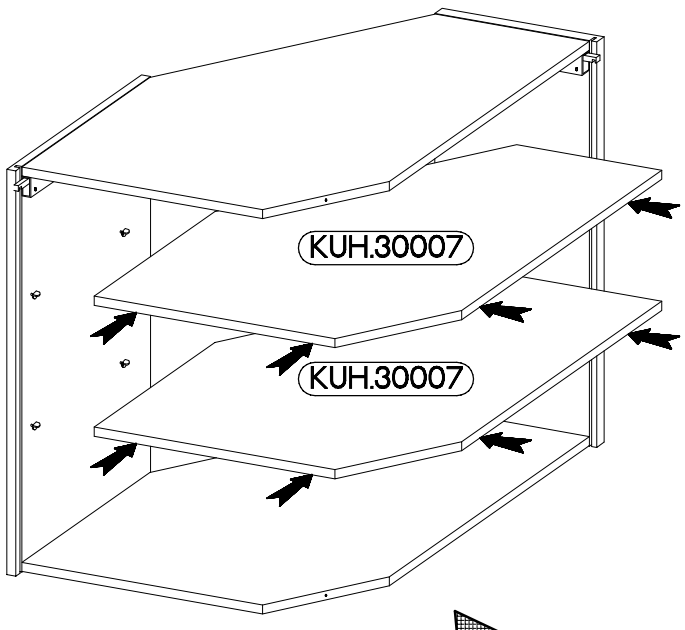
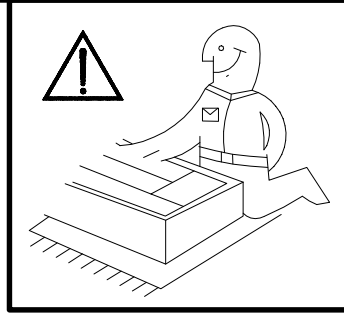
4




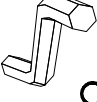
E1

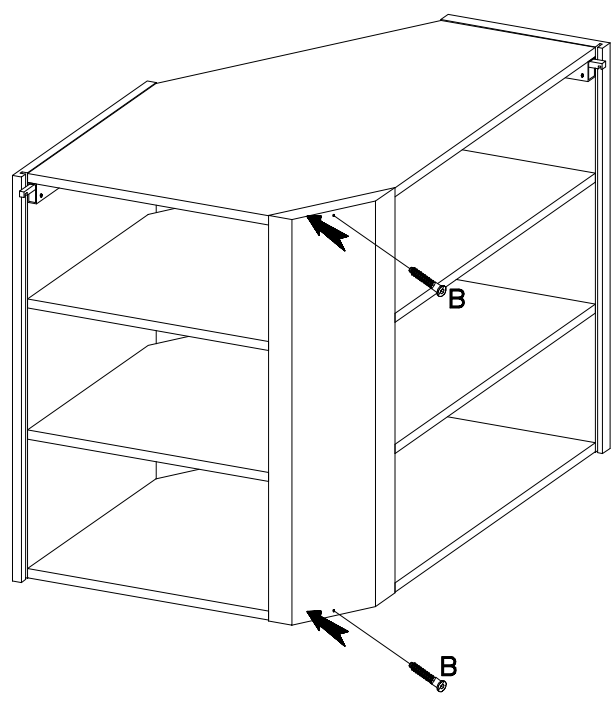
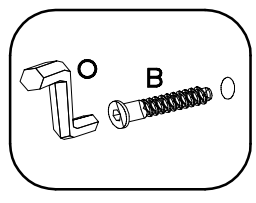
4

±5/19mm

J
10



5

6,4 x 50mm	
	
B	O
2	1



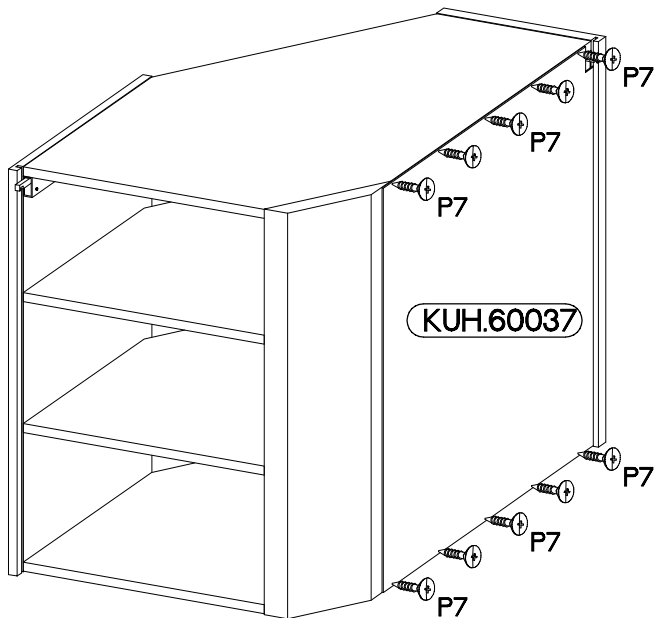
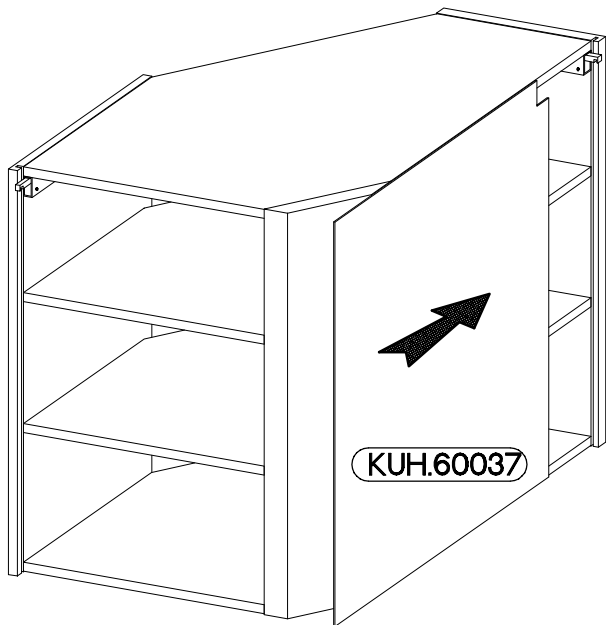
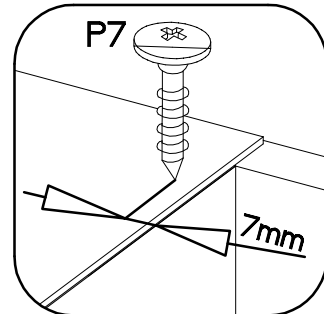
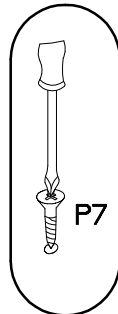
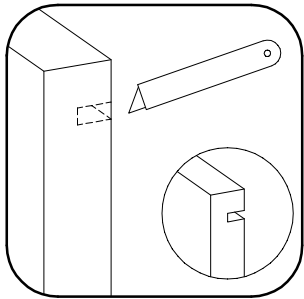
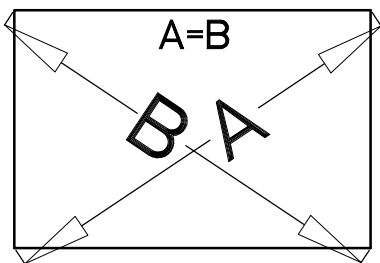
6

±3.0x20mm



P7

10-15



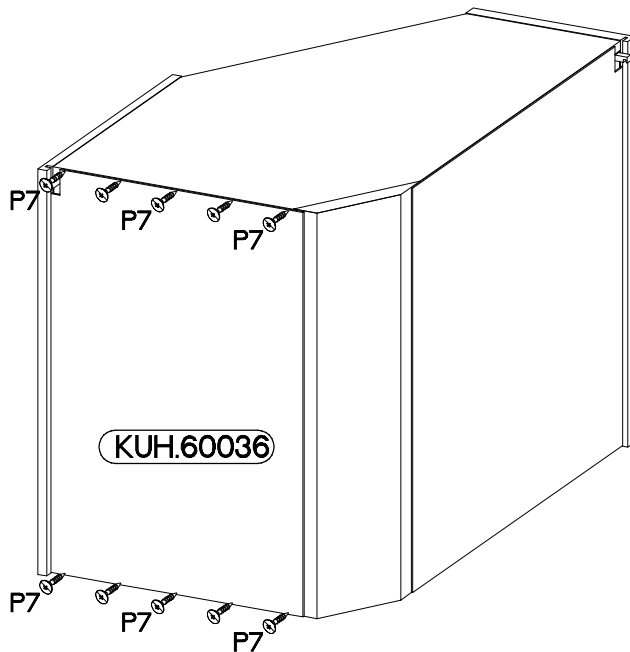
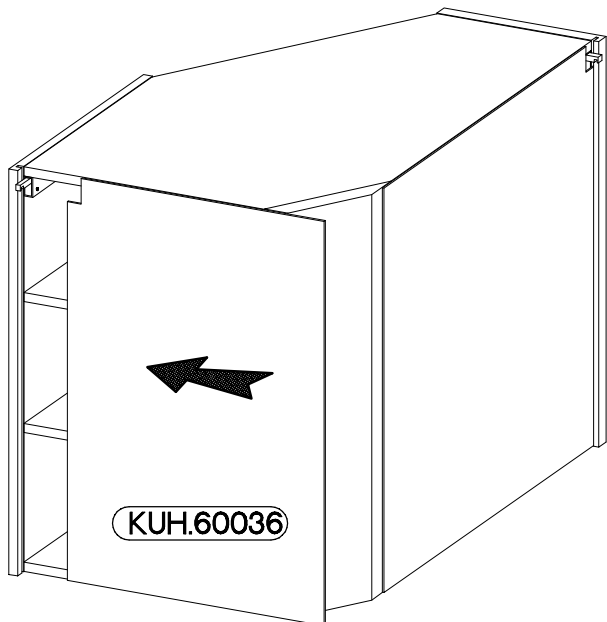
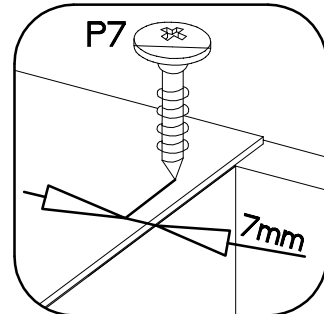
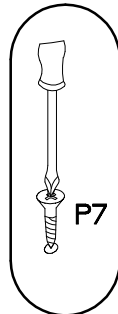
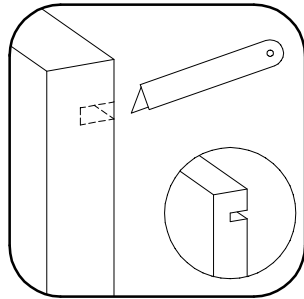
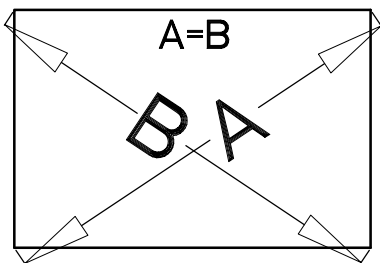
7

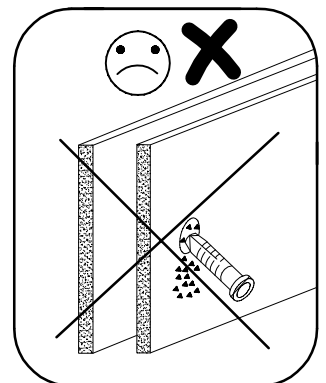
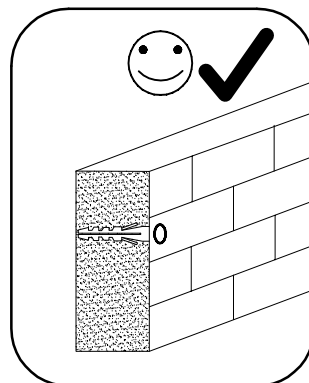
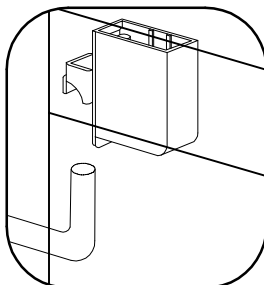
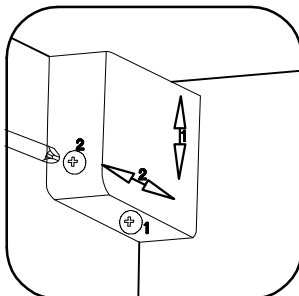
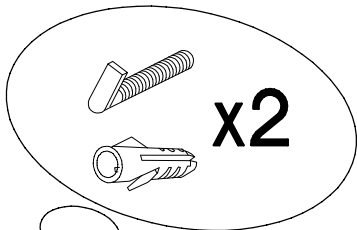
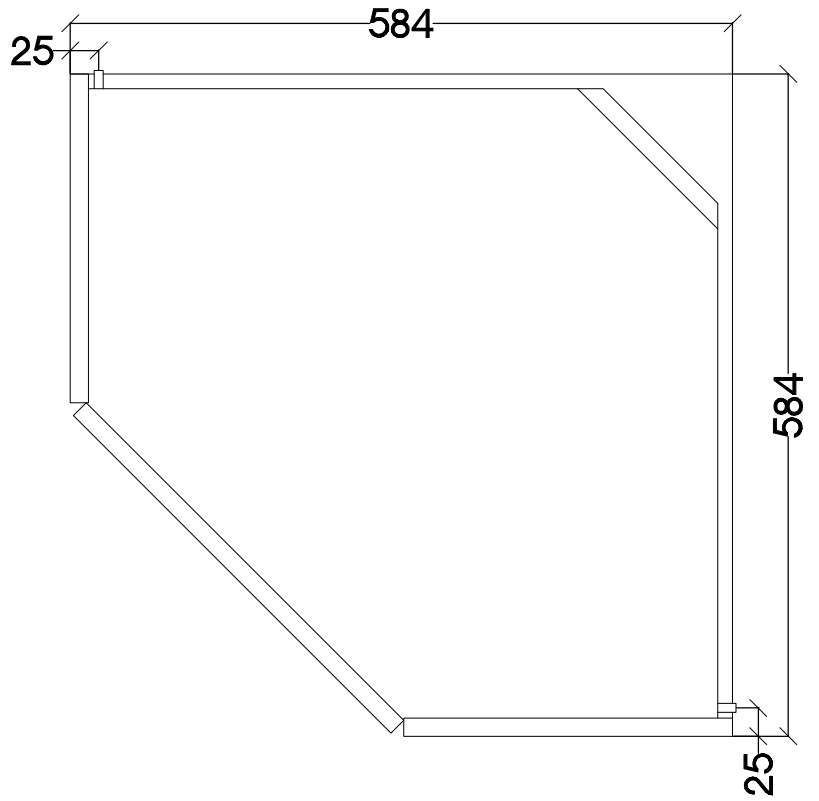
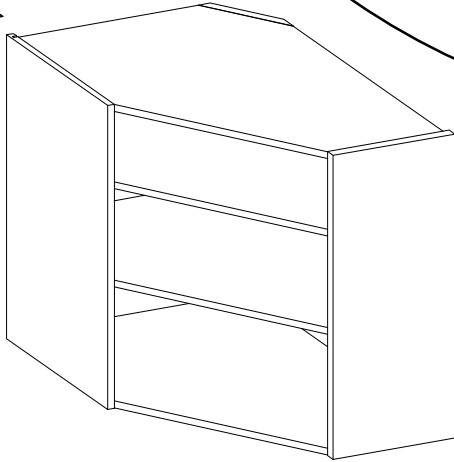
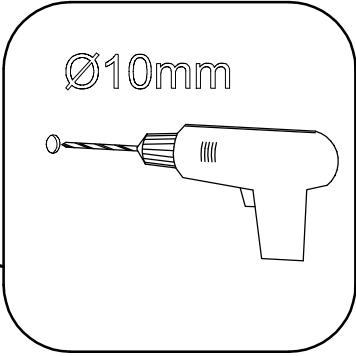
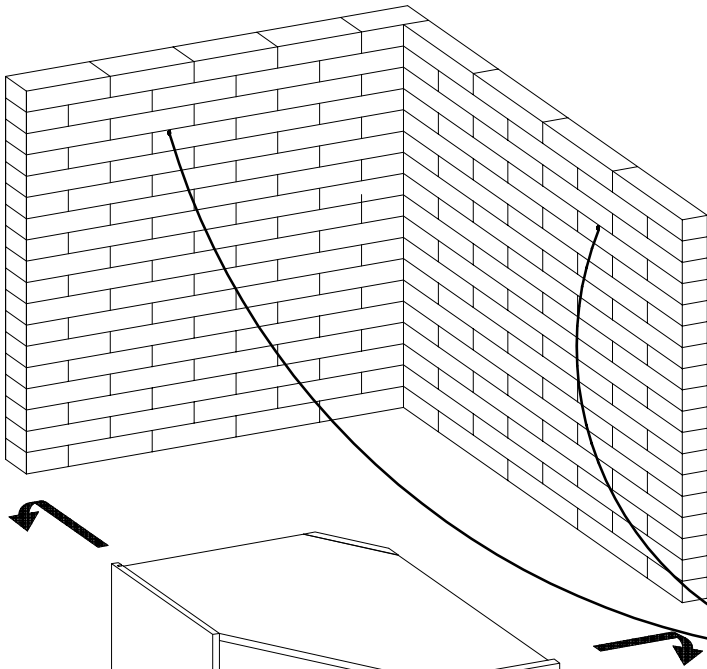
±3.0x20mm

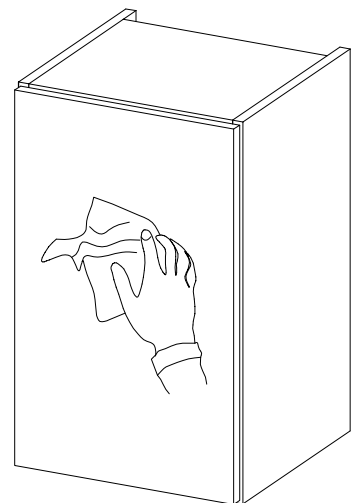
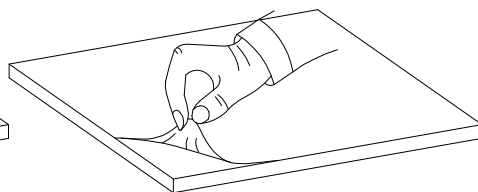
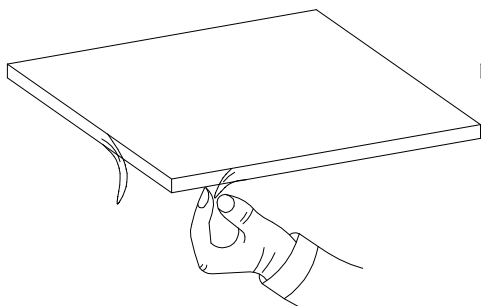
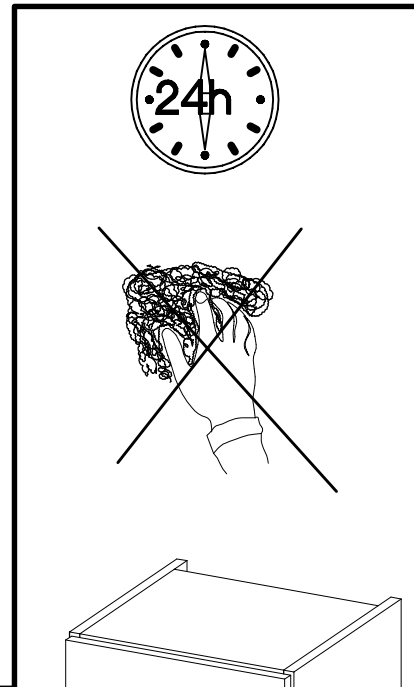
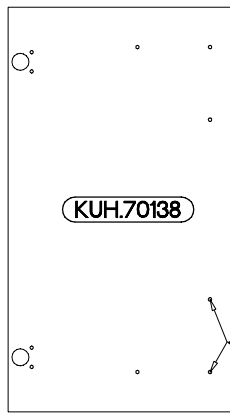
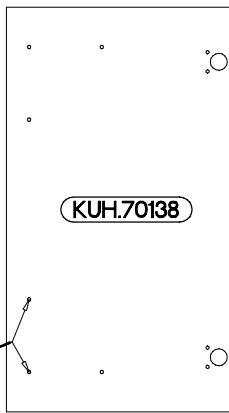
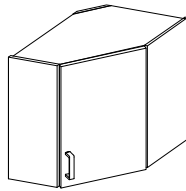
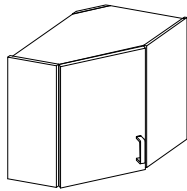
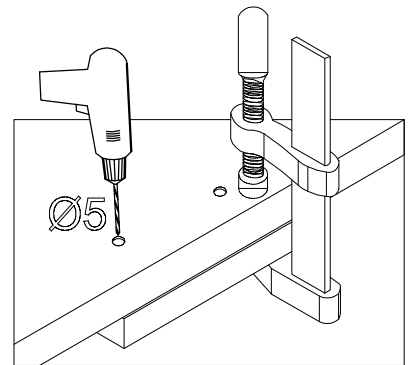
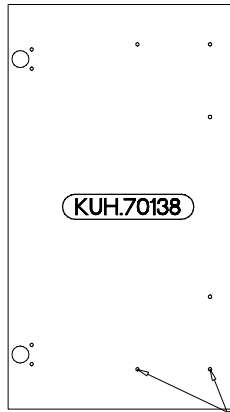
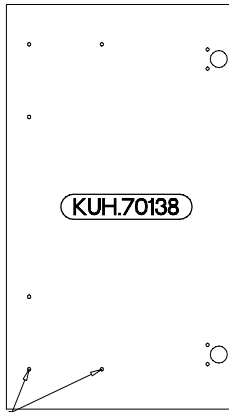
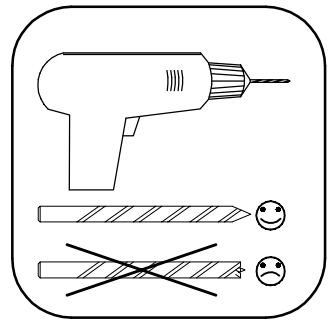
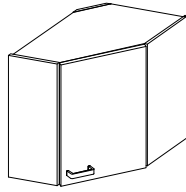
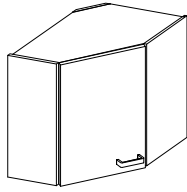


P7

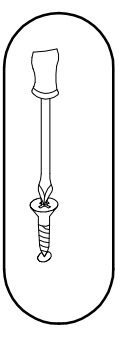
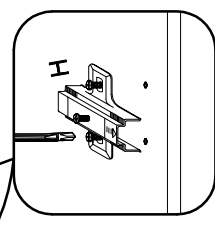
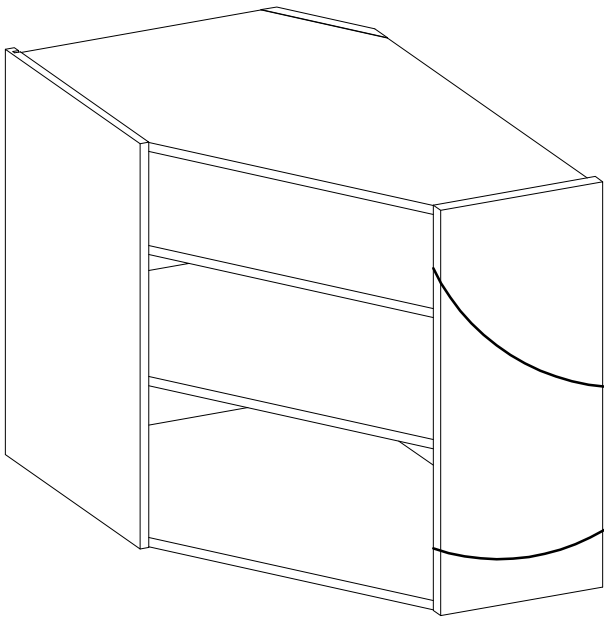
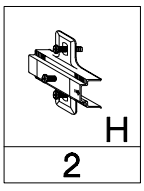
10-15







10



11

