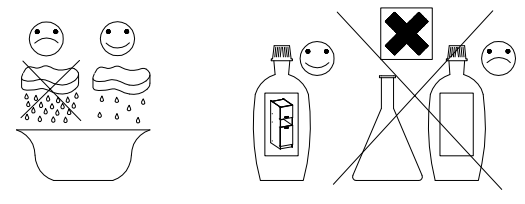
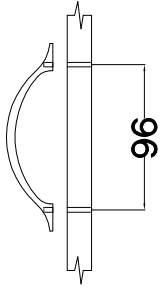
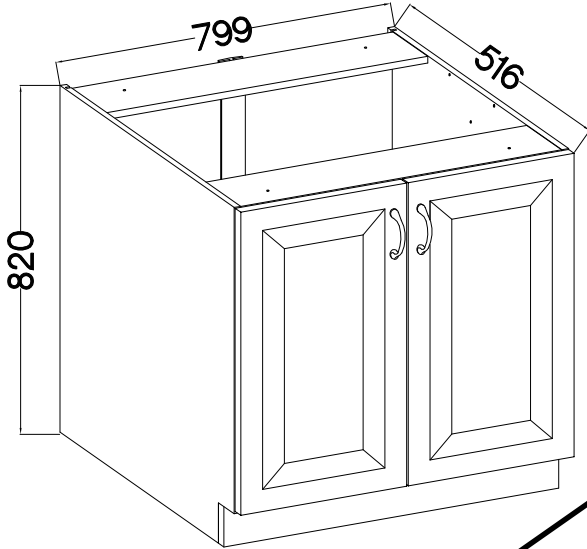


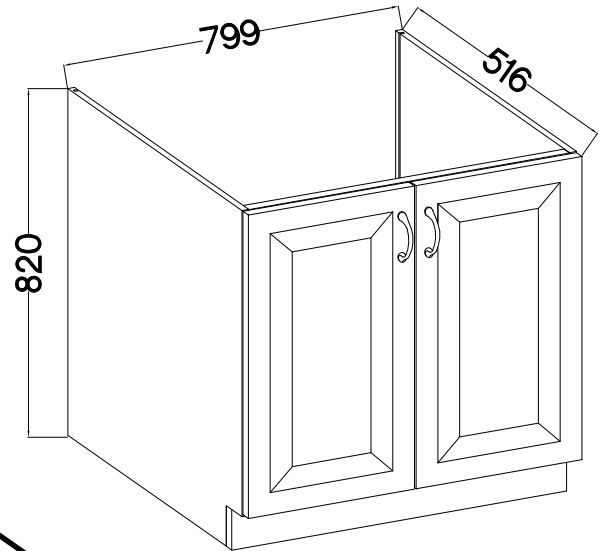
FRONT



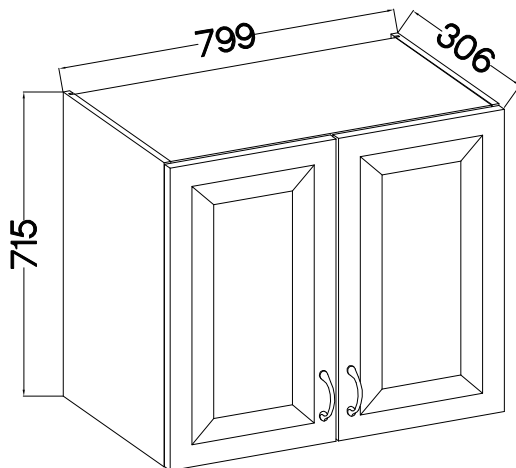
80 D 2F BB



80 ZL 2F BB

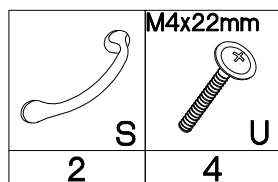


80 G-72 2F



KUH.70769

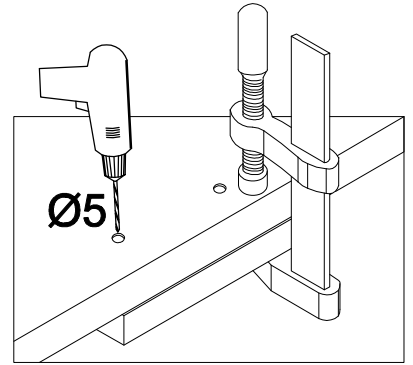
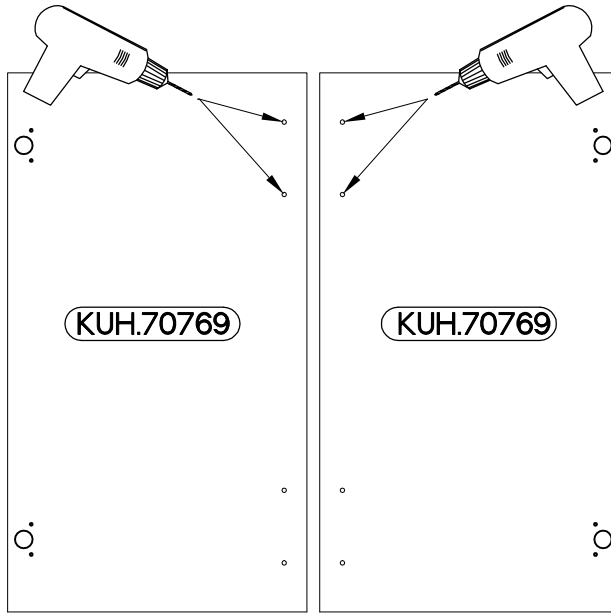
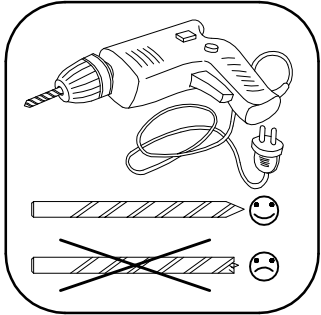
KUH.70769





ISM-KUH-01203

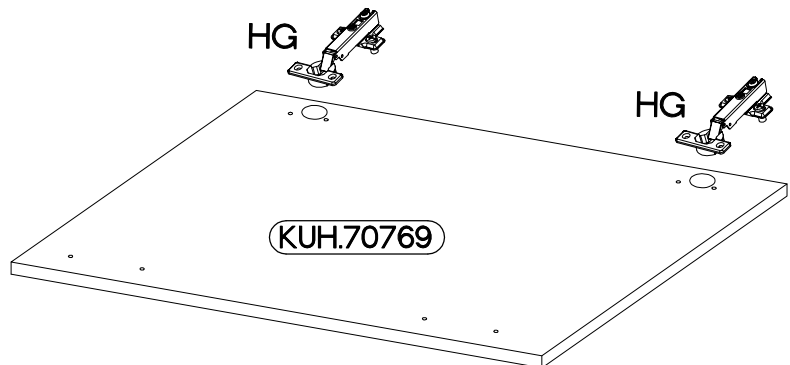
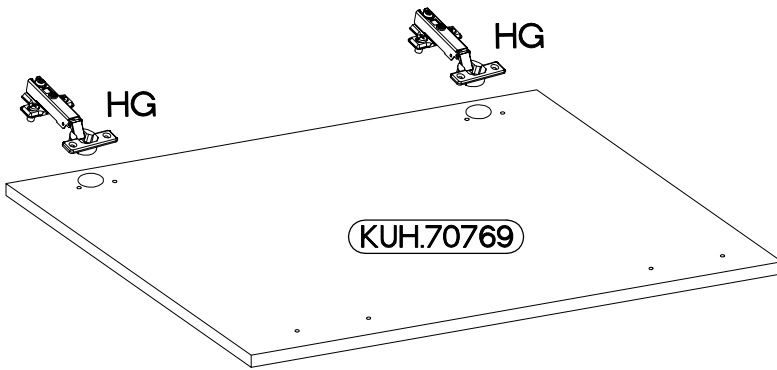
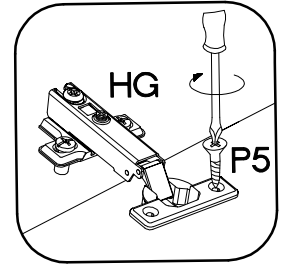
1

80 D 2F BB



2

 HG 4	 P5 8
---	---



3

M4x22mm



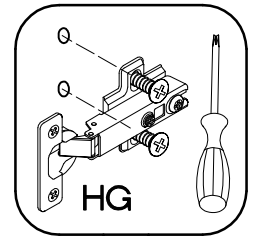
U

4

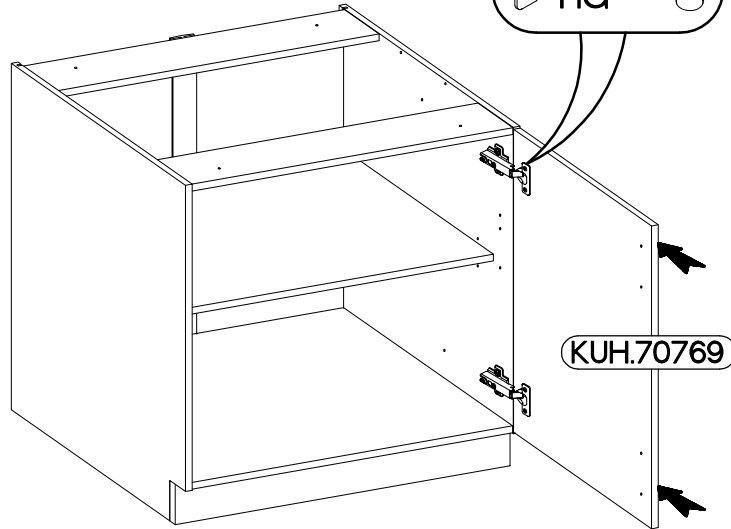


S

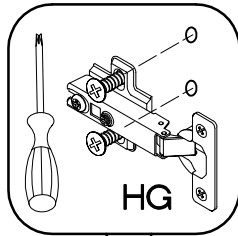
2



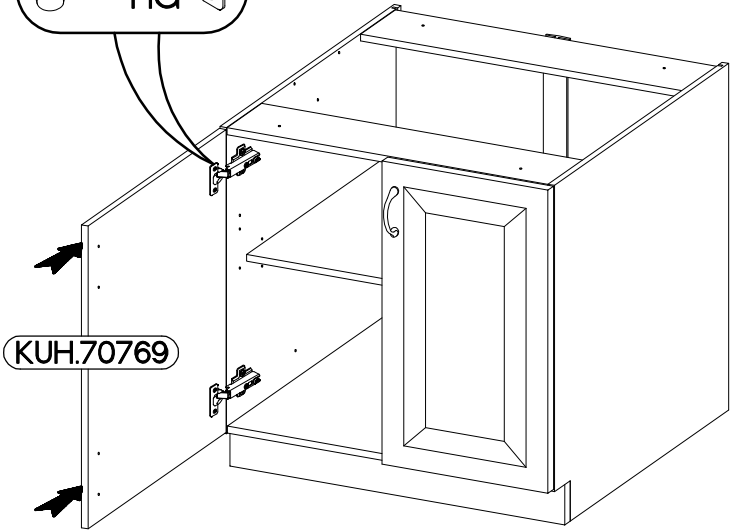
HG



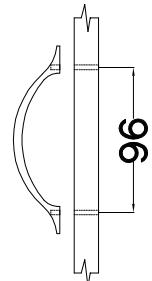
KUH.70769



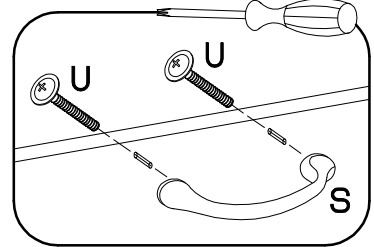
HG



KUH.70769

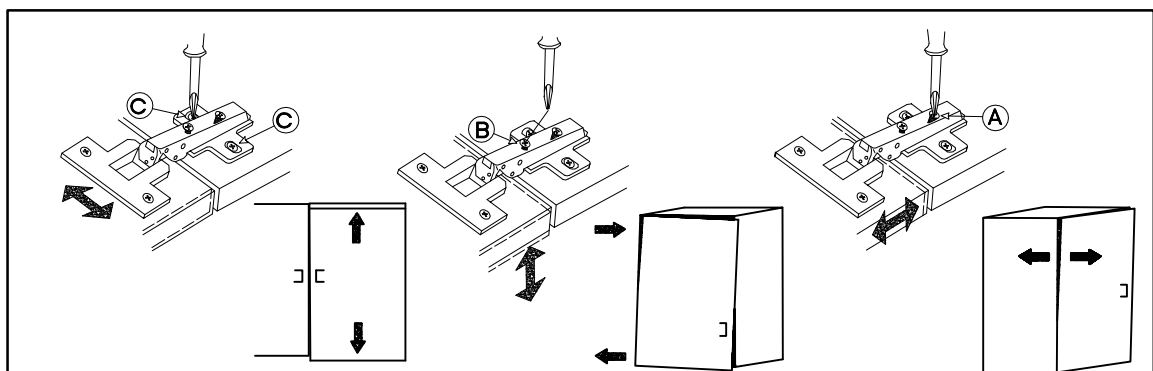


96

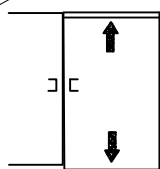


U

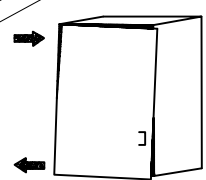
S



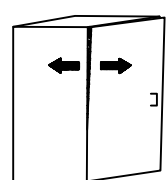
C



B

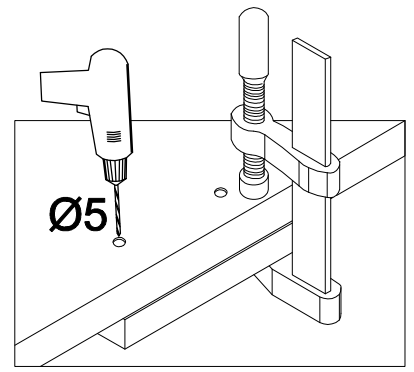
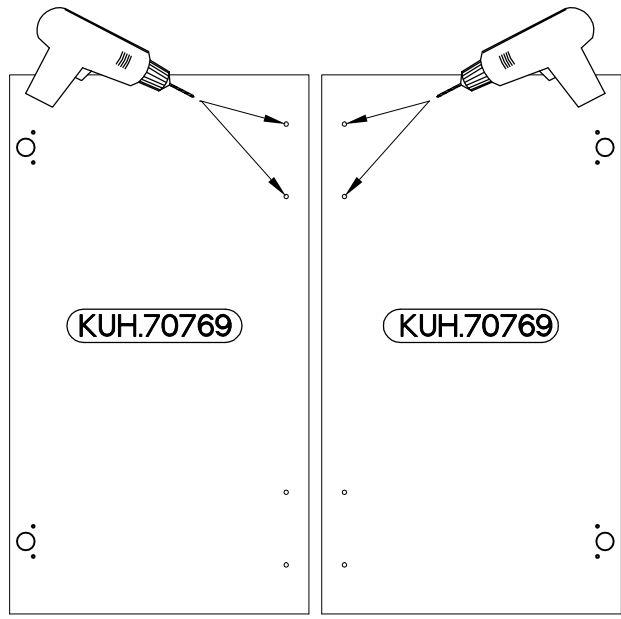
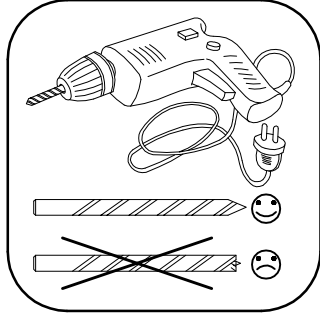


A





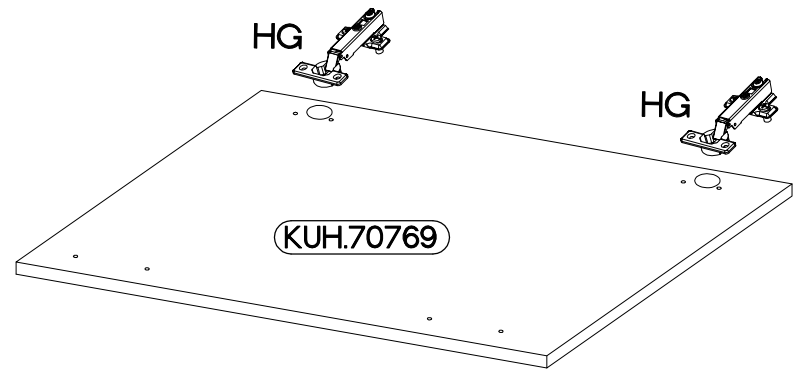
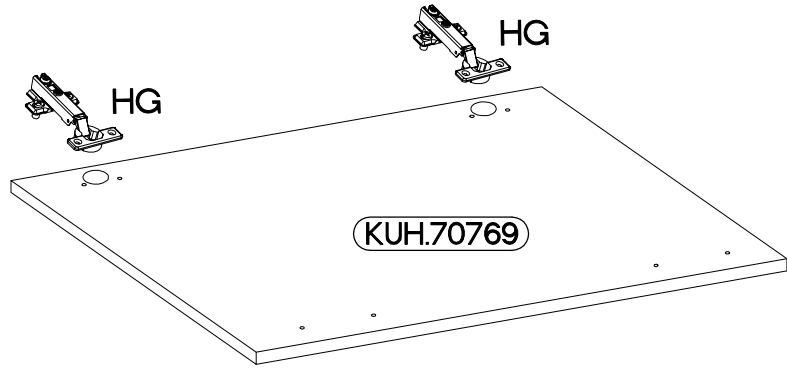
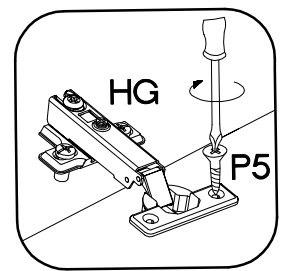
4

80 ZL 2F BB



5

+35/0mm  HG 4	+3.5x13mm  P5 8
--	--



M4x22mm



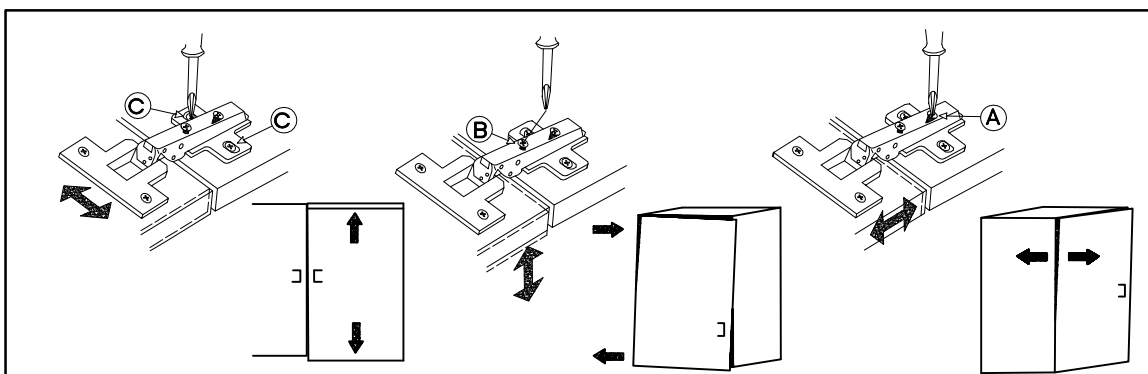
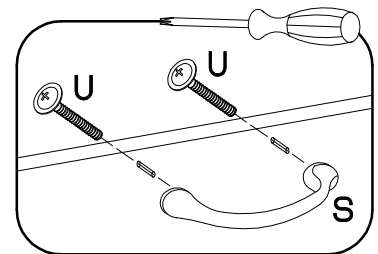
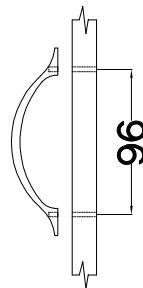
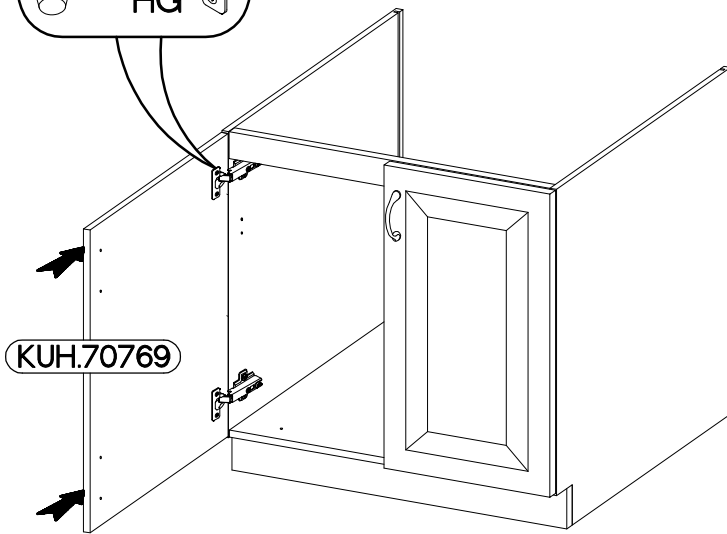
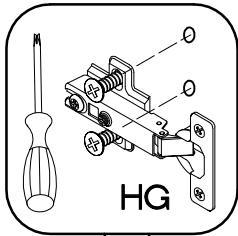
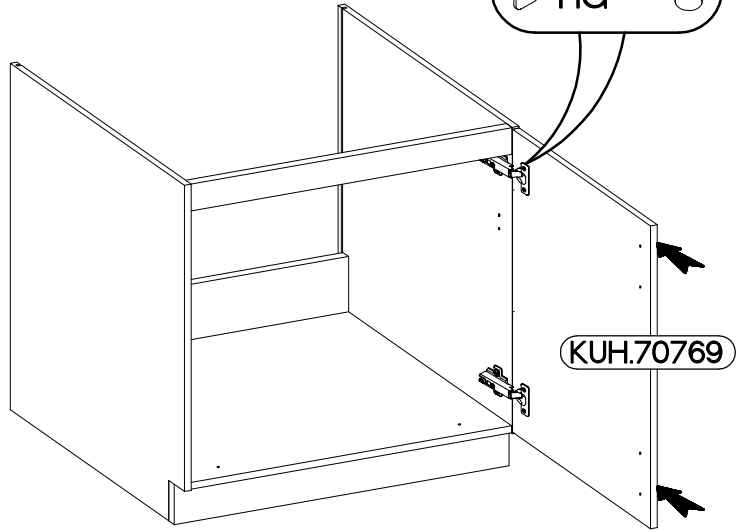
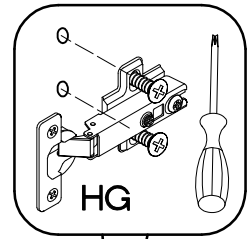
U

4



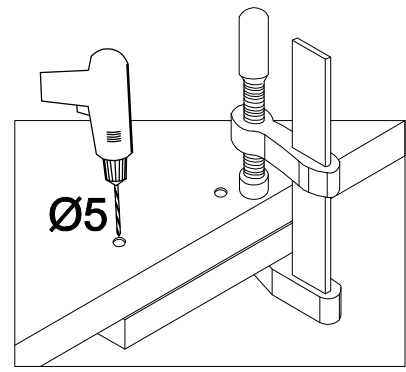
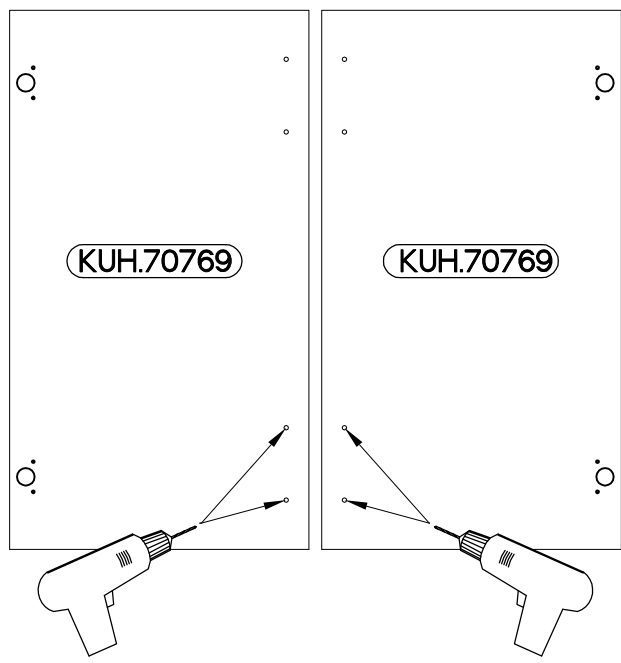
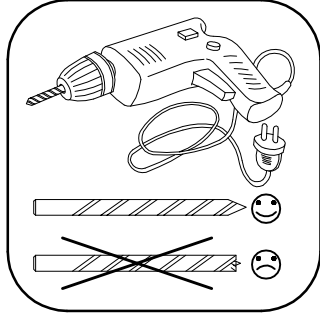
S

2





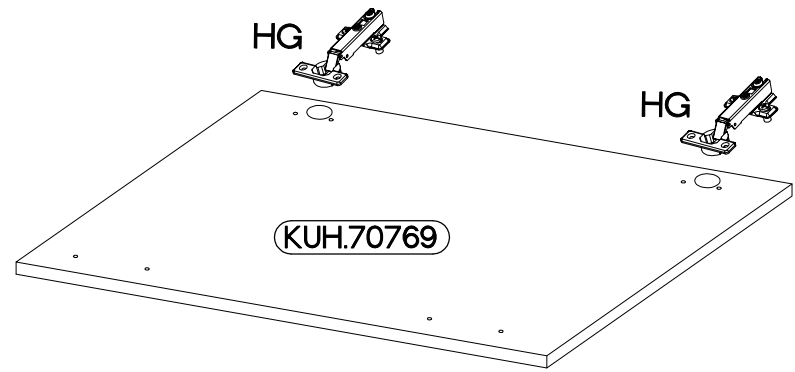
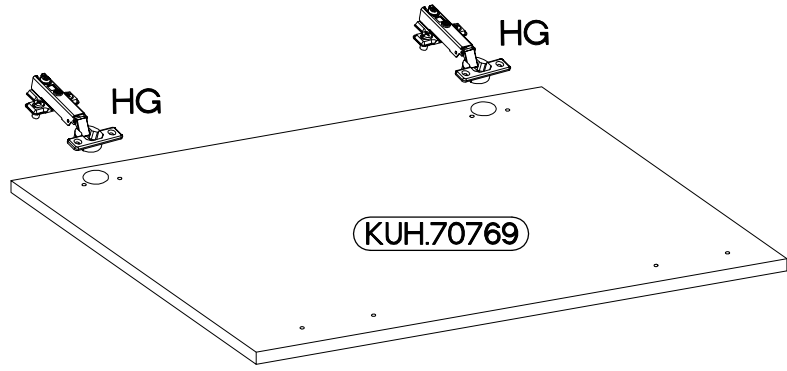
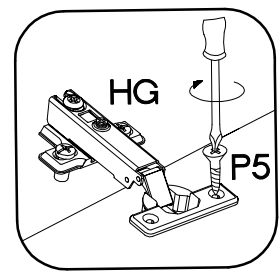
7



80 G-72 2F



8

 +35/0mm HG 4	 +3.5x13mm P5 8
---	---



M4x22mm		
	U	S
4		2

