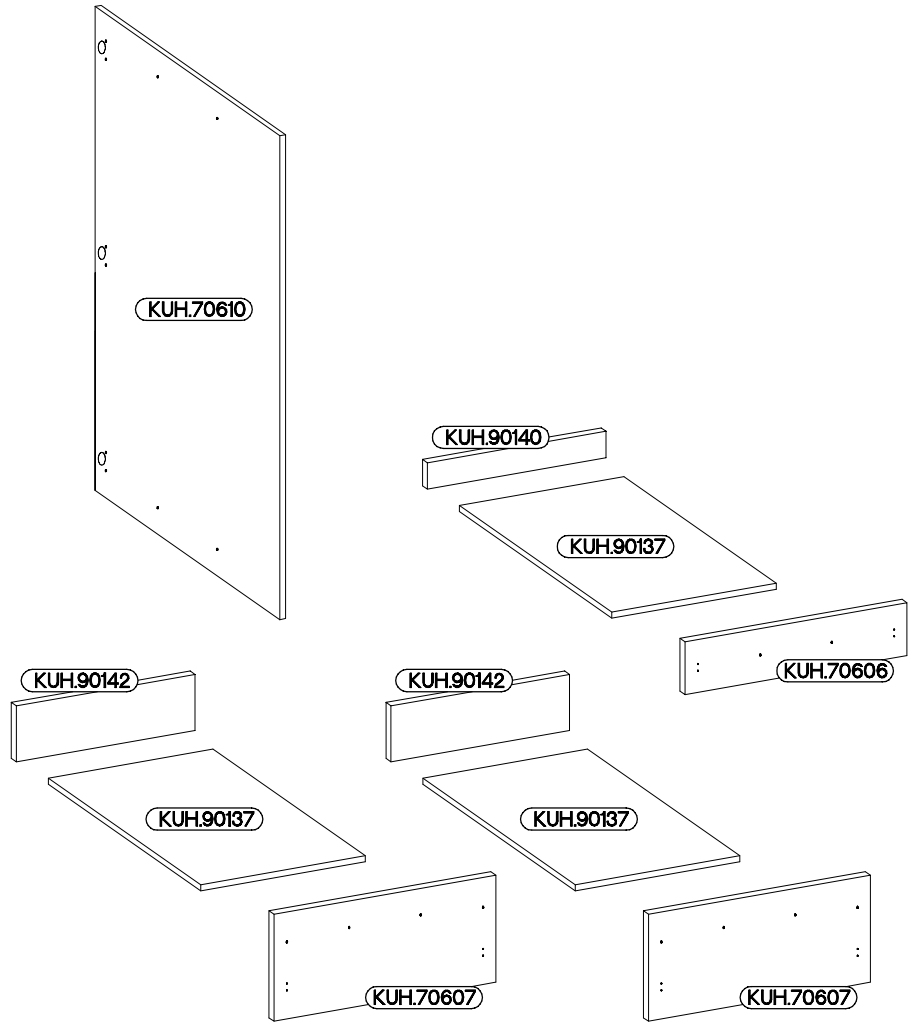
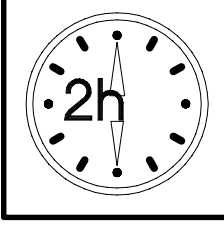
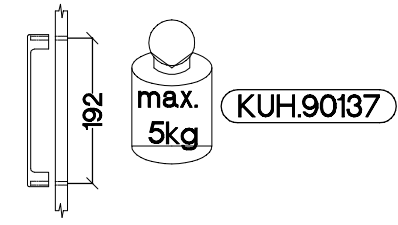
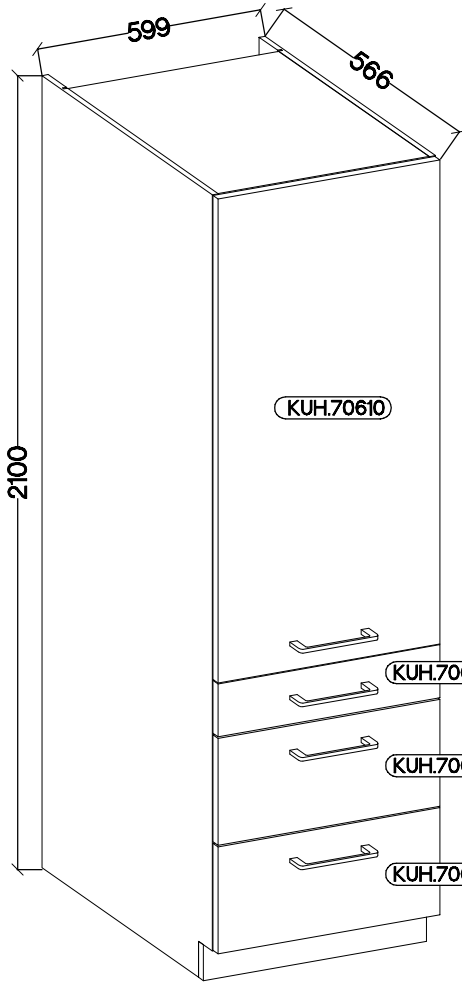
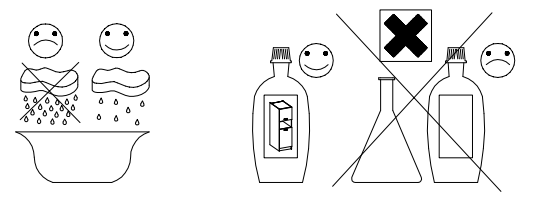
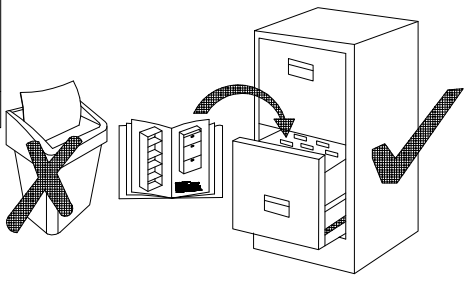


60 DKS-2100 1F 3S

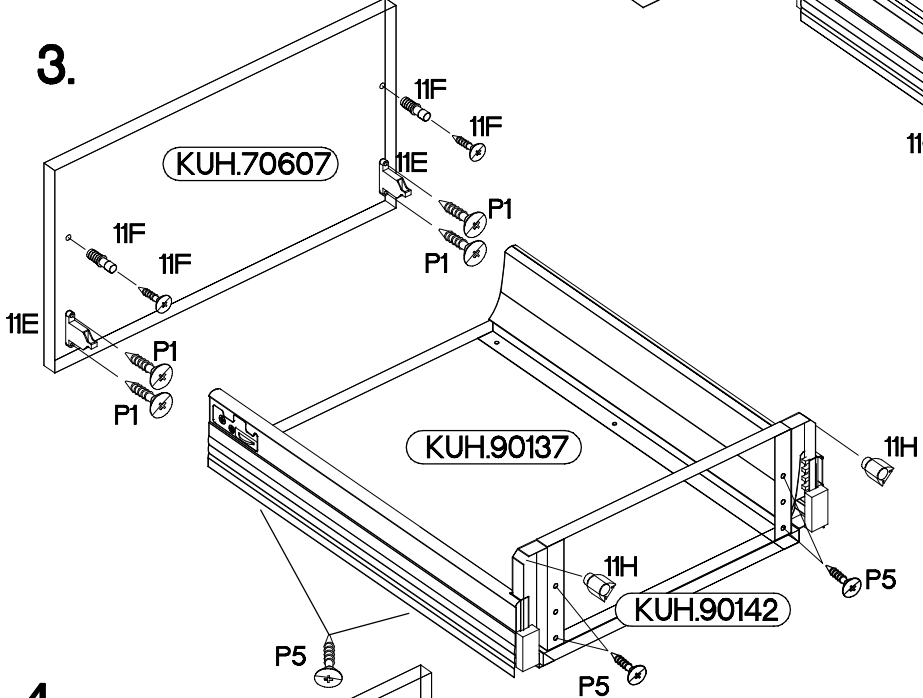
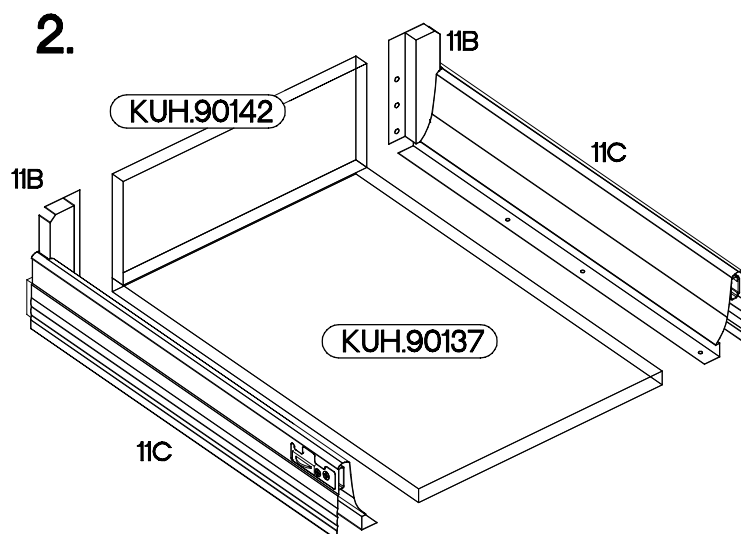
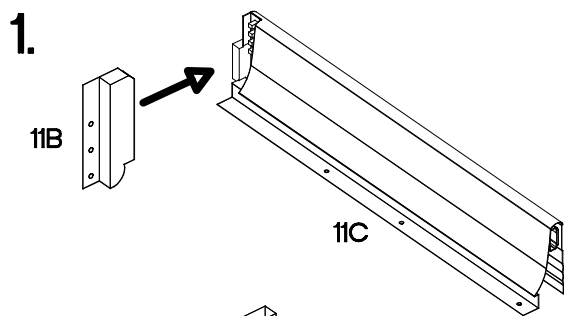


3	2	3	1	6	4	6
4	3	12	24	30	4	2

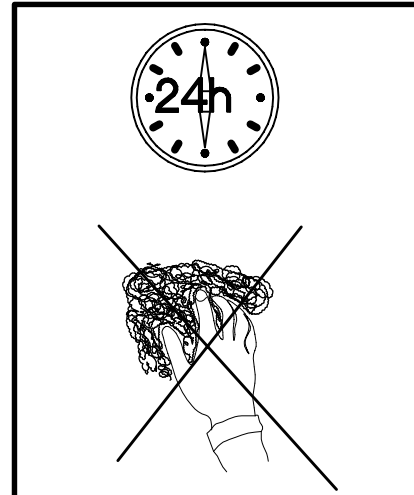
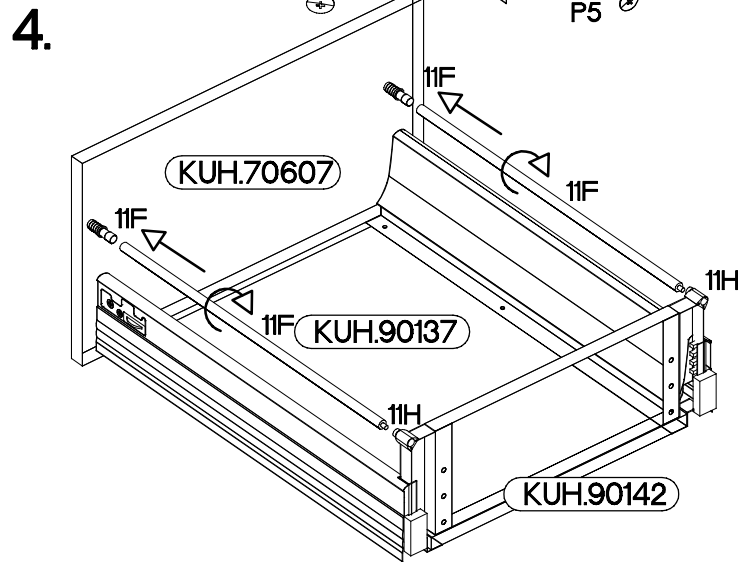


1

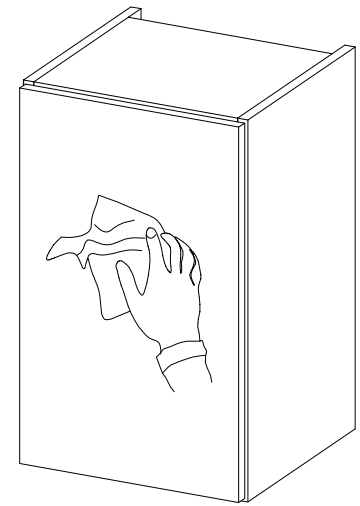
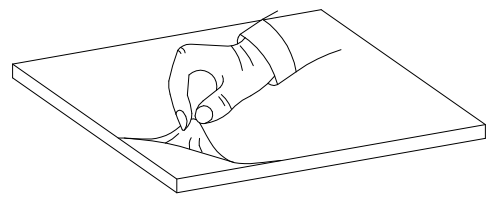
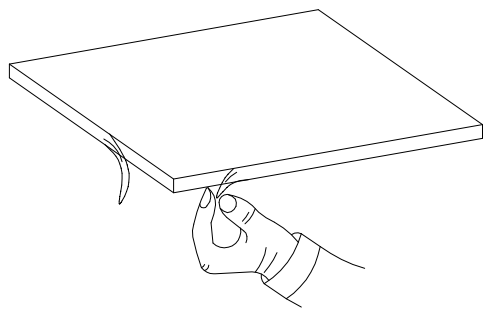
					$\pm 4.0 \times 16 \text{mm}$ 	$\pm 3.5 \times 13 \text{mm}$ 	
2	2	4	4	4	8	16	4



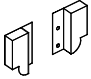
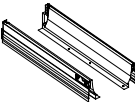




x2

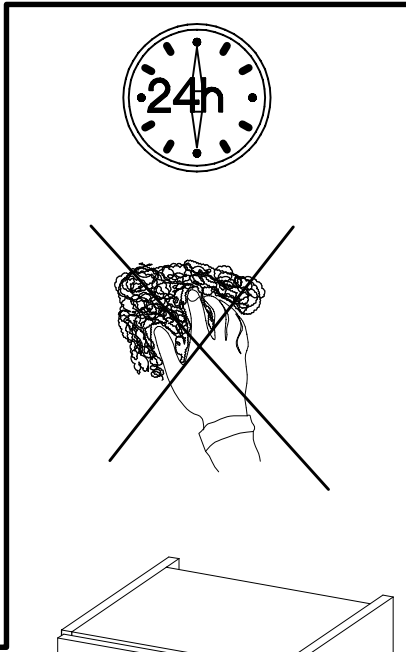
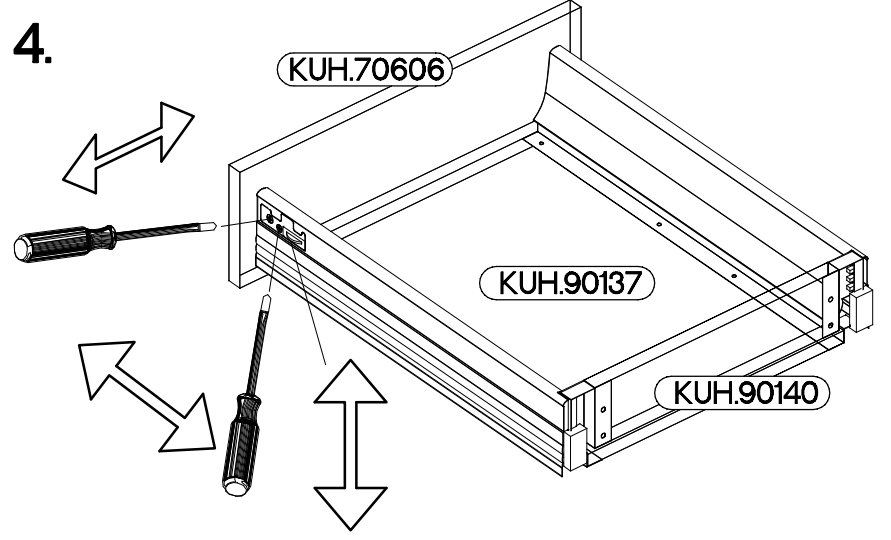
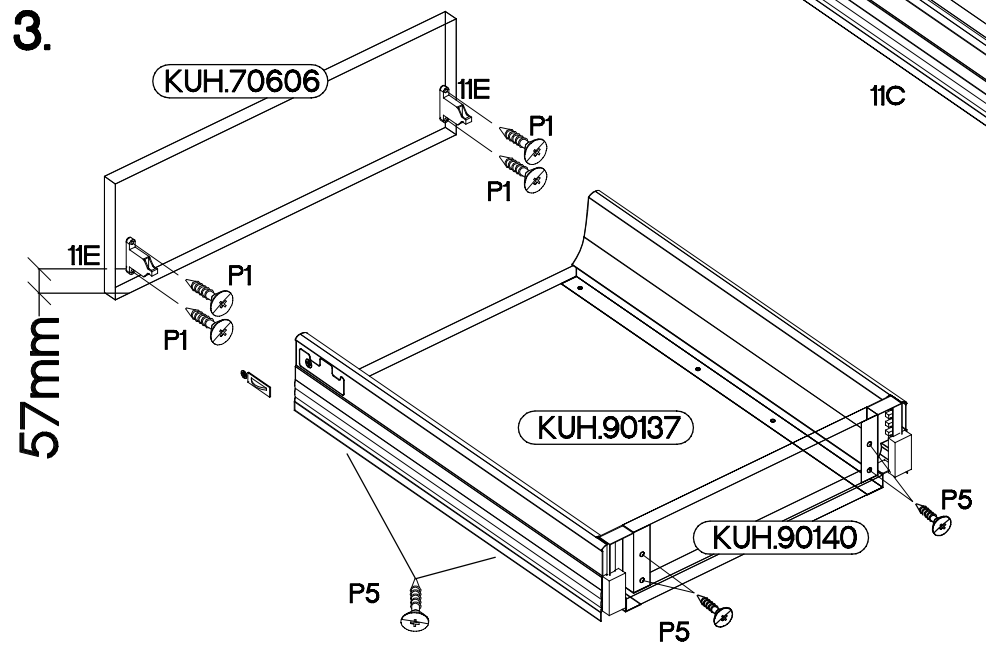
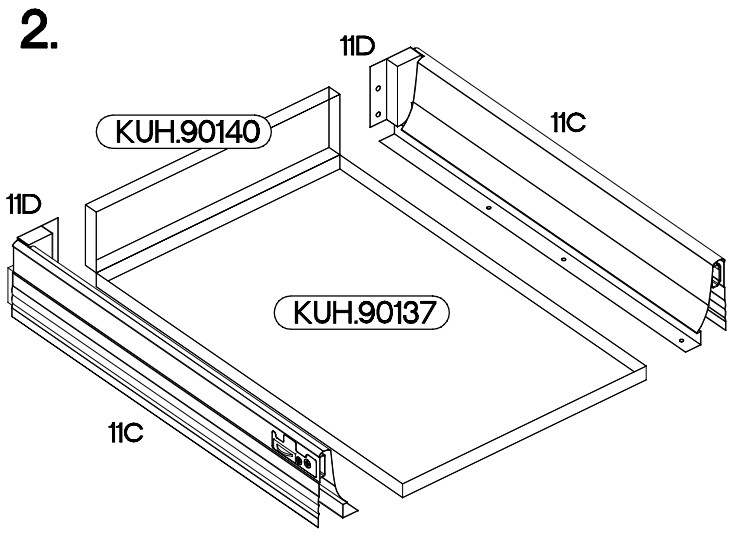
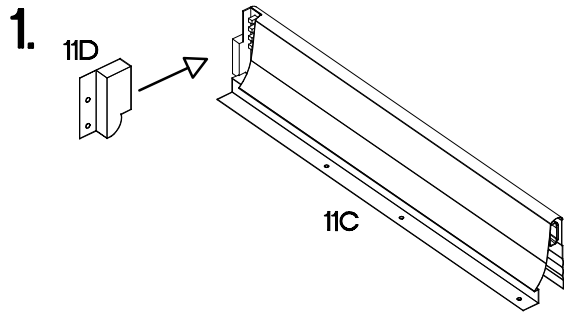


VARIANT HIGH GLOSS

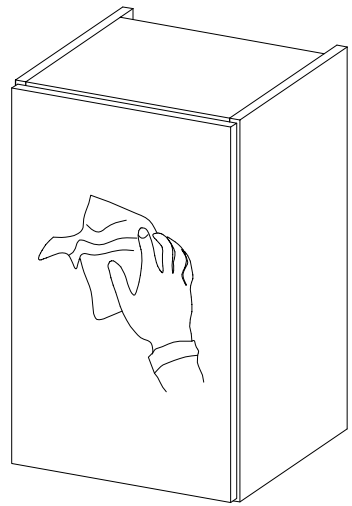
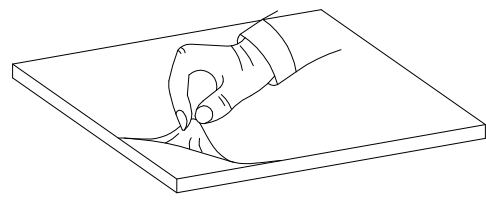
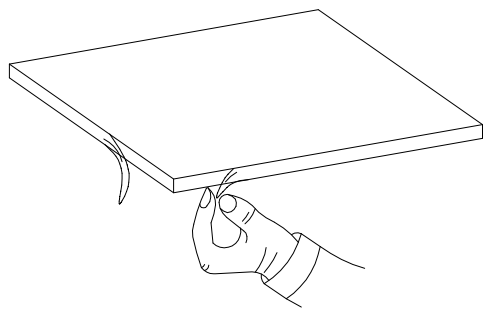


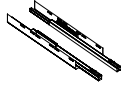


2

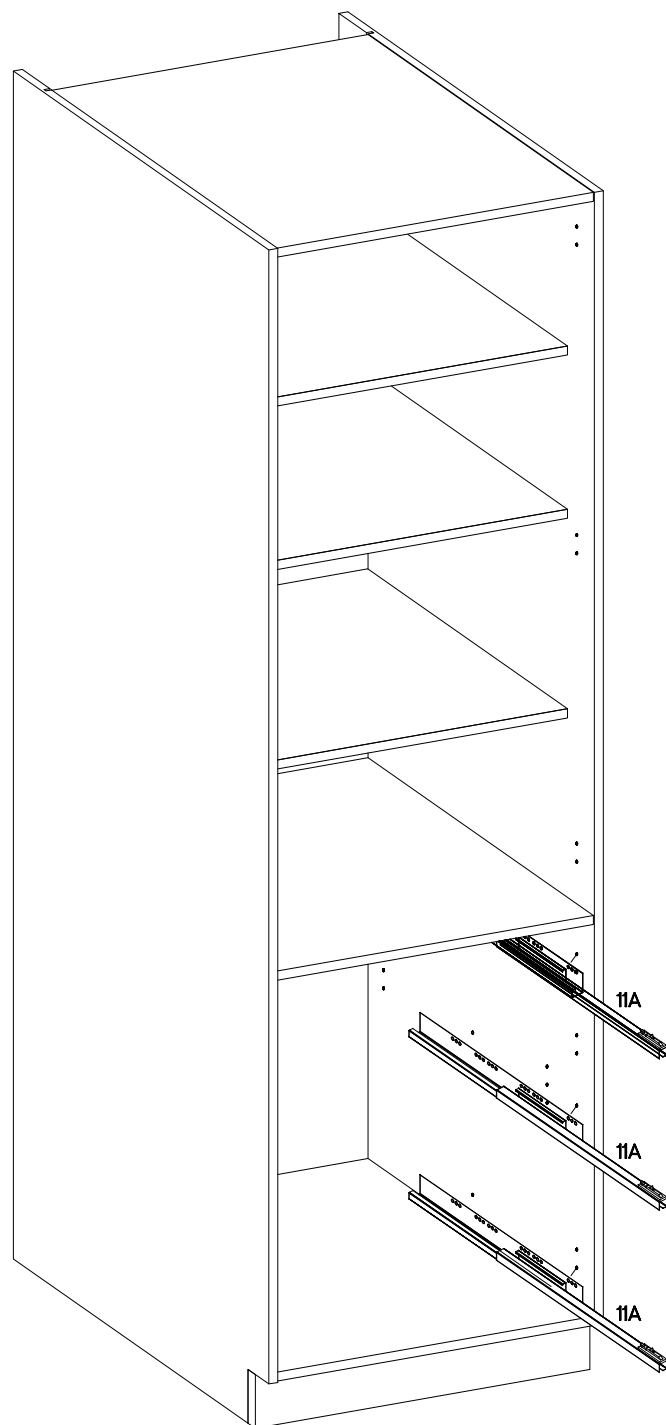
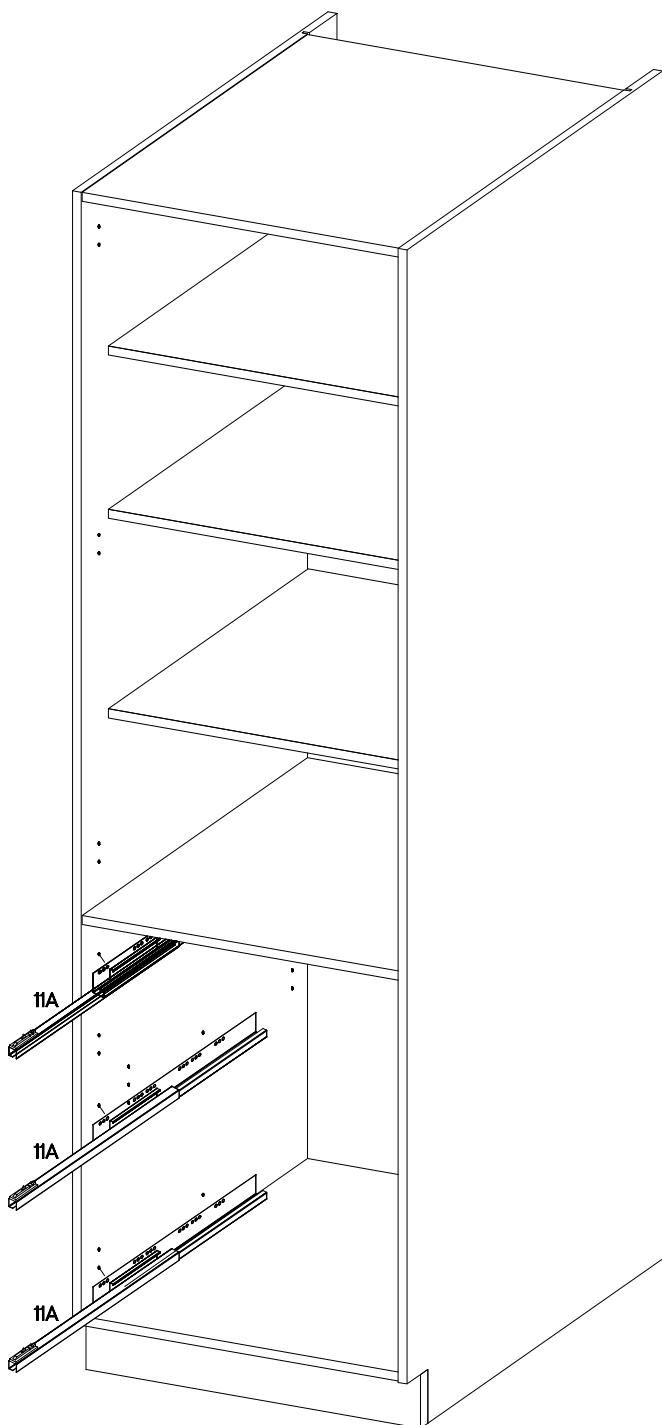
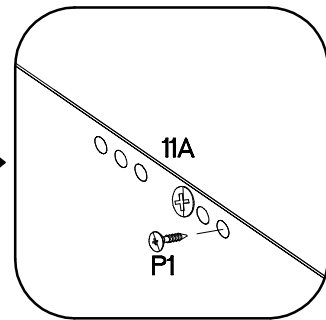
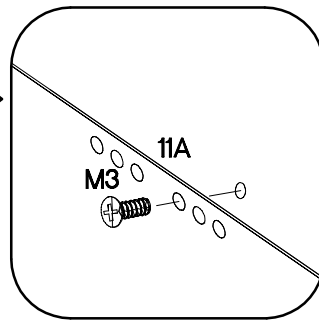
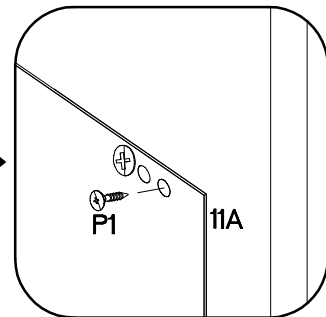
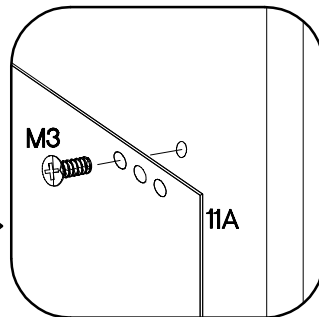
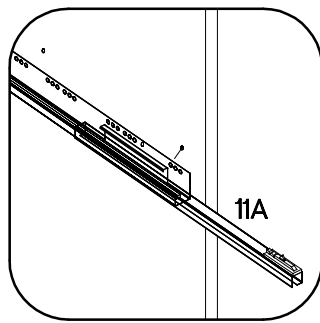
 11D	 11C	 11E	 P1 4.0x16mm	 P5 3.5x13mm	 11G
1	1	2	4	8	2




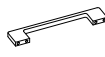
VARIANT HIGH GLOSS

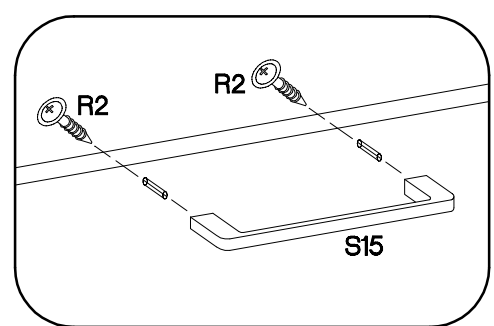
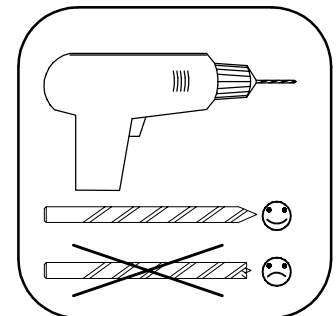
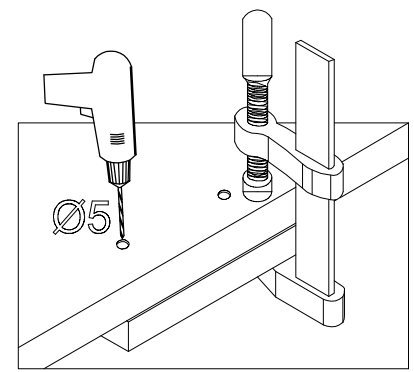
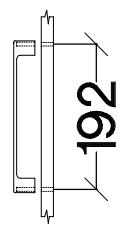
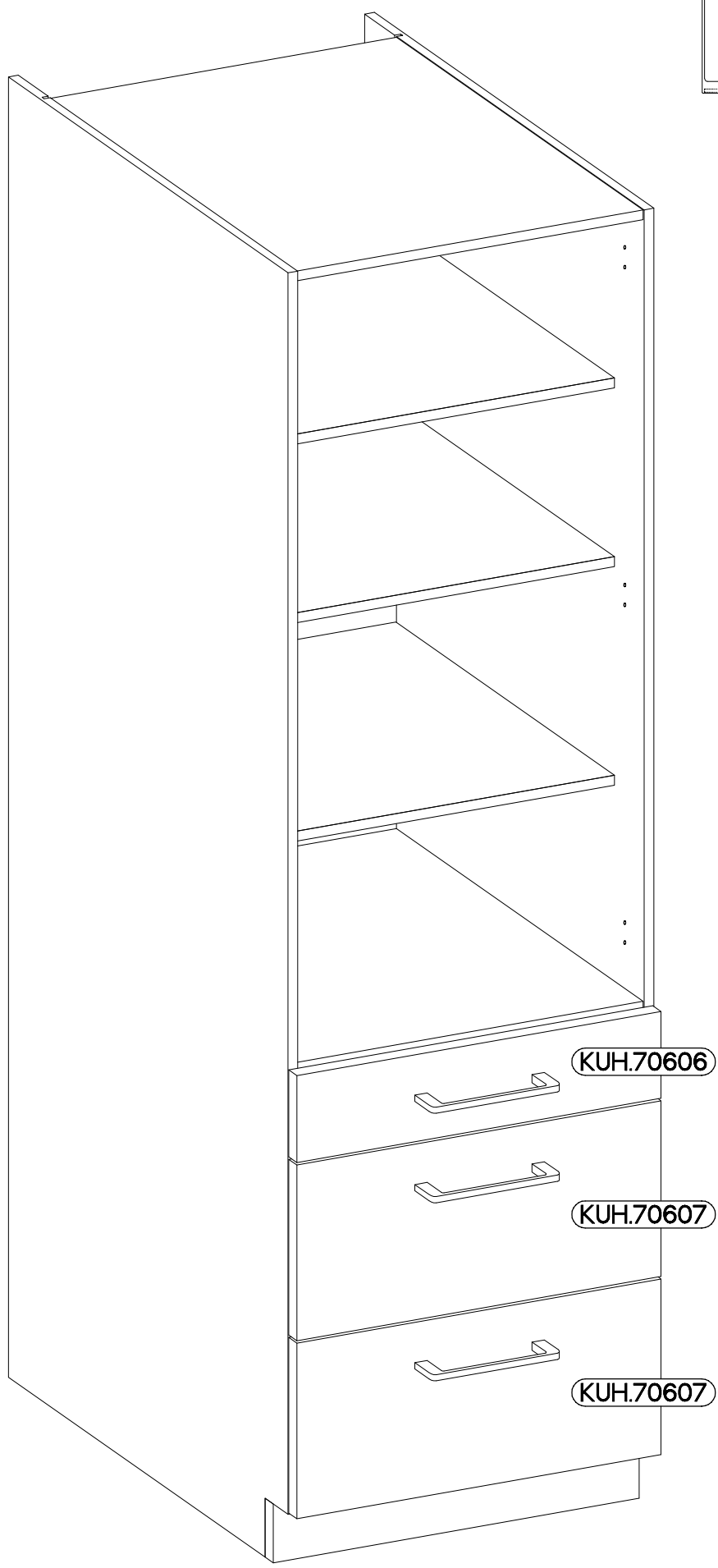


		
11A	M3	P1
3	12	12



4

+4.0x30mm	
	
R2	S15
6	3

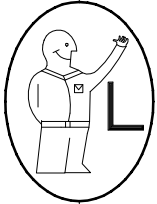
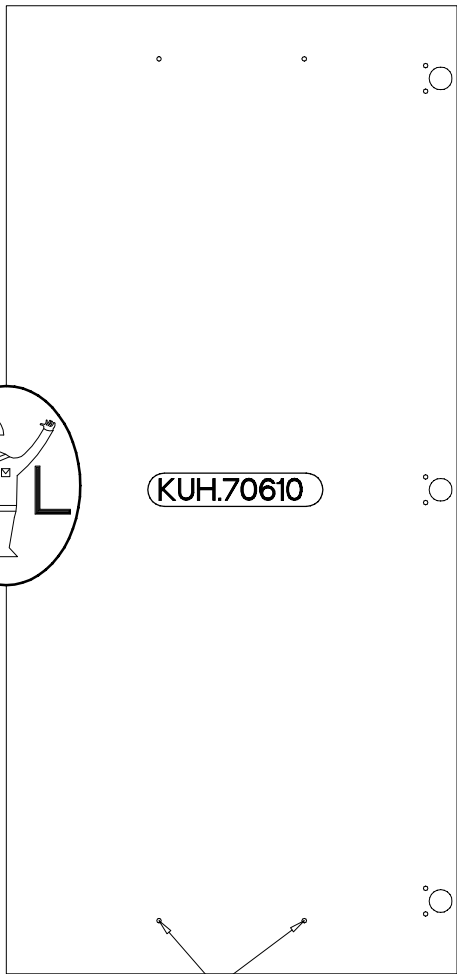
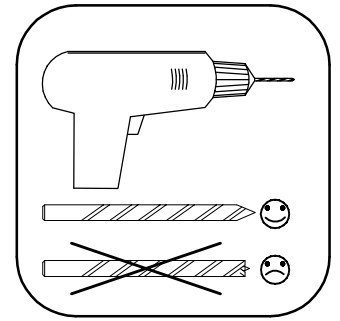
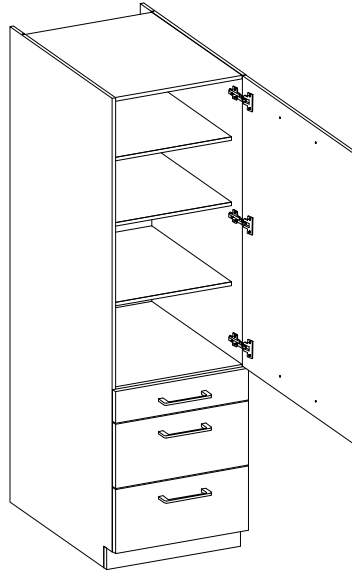


5

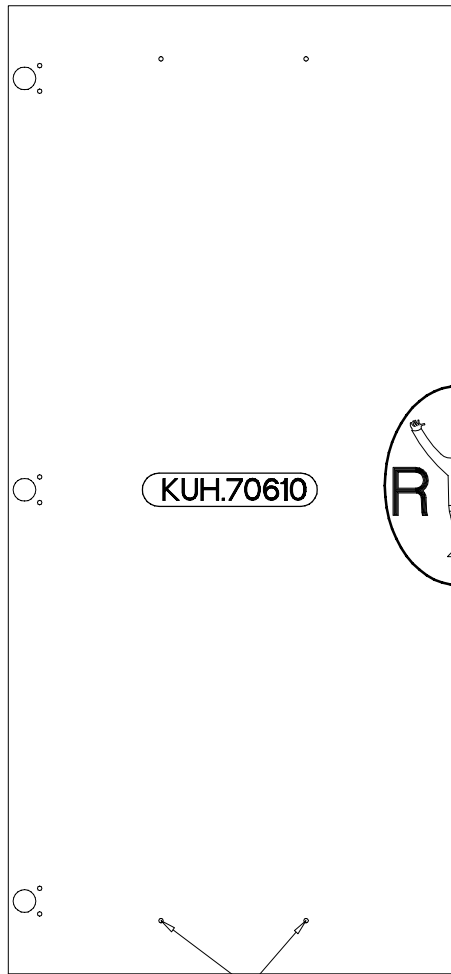
LEFT



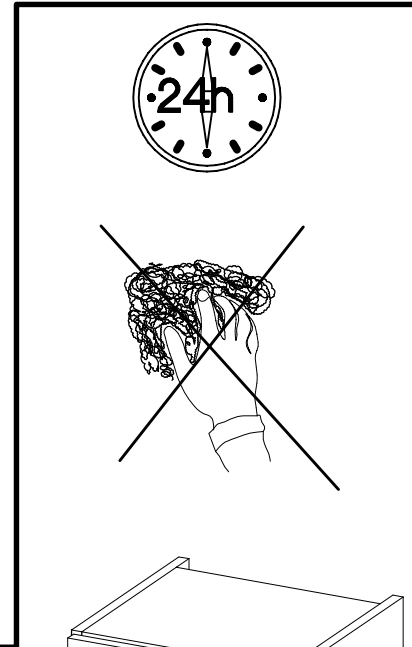
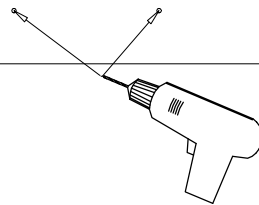
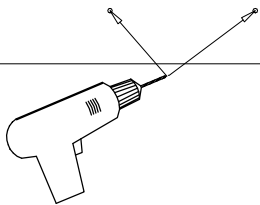
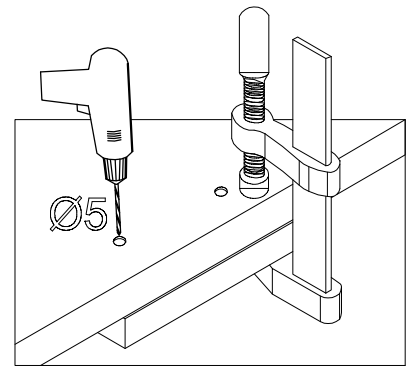
RIGHT



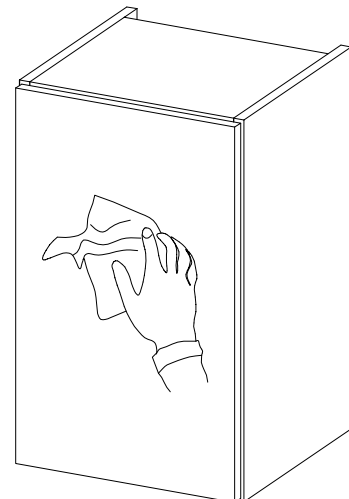
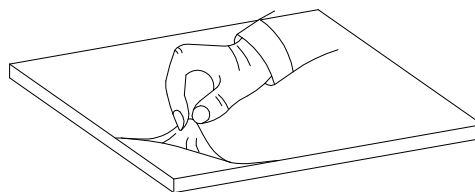
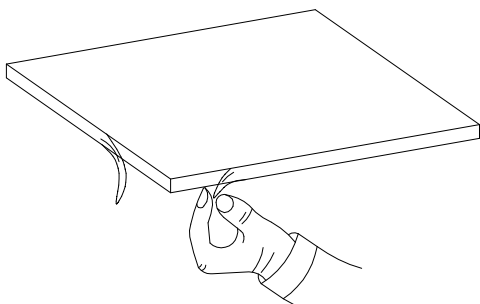
KUH.70610





KUH.70610

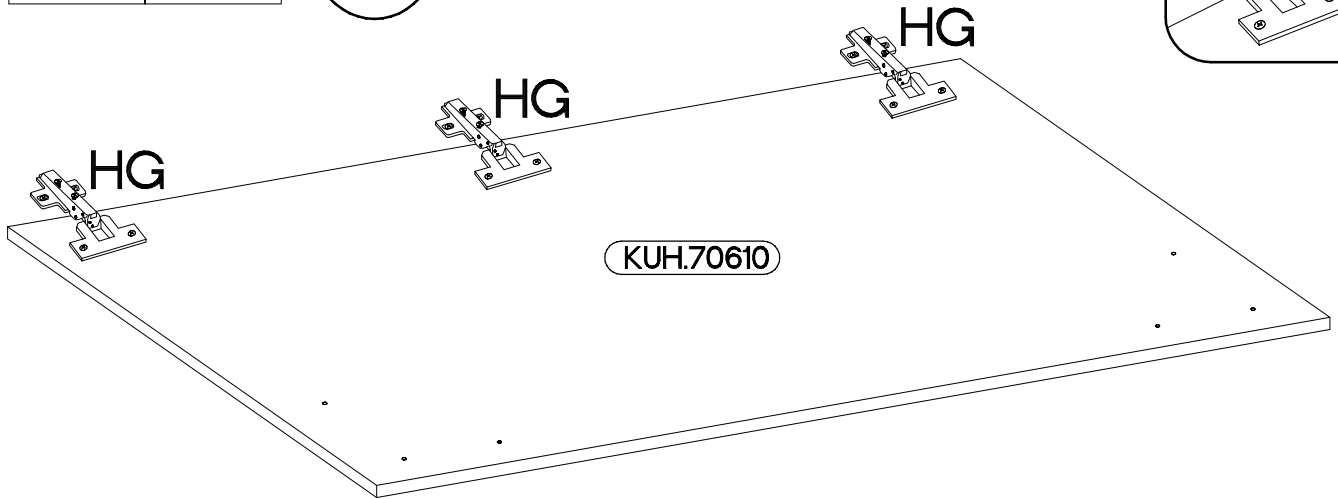
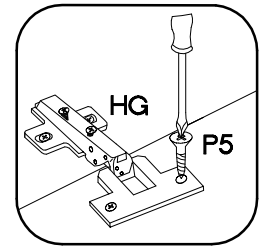
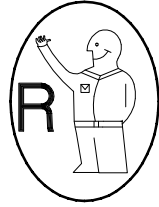


VARIANT HIGH GLOSS

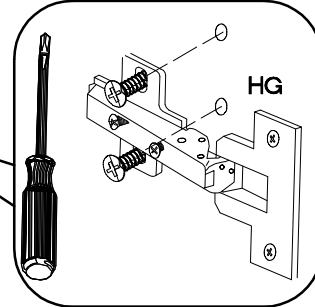
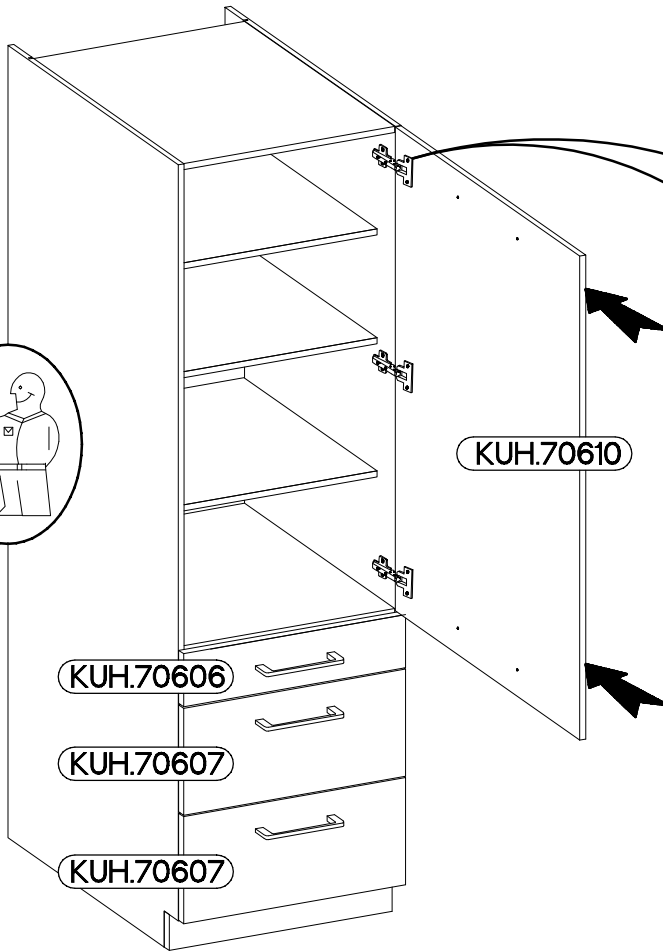
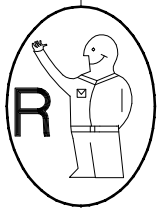



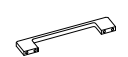
6

$\pm 35/0\text{mm}$  HG 3	$\pm 3.5 \times 13\text{mm}$  P5 6
--	---



7



$\pm 4.0 \times 30\text{mm}$  R2 2	 S15 1
--	---

