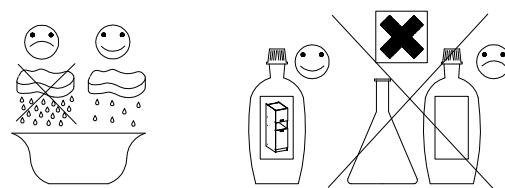
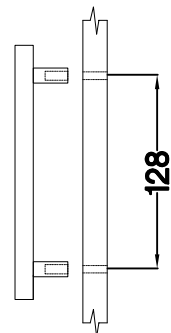
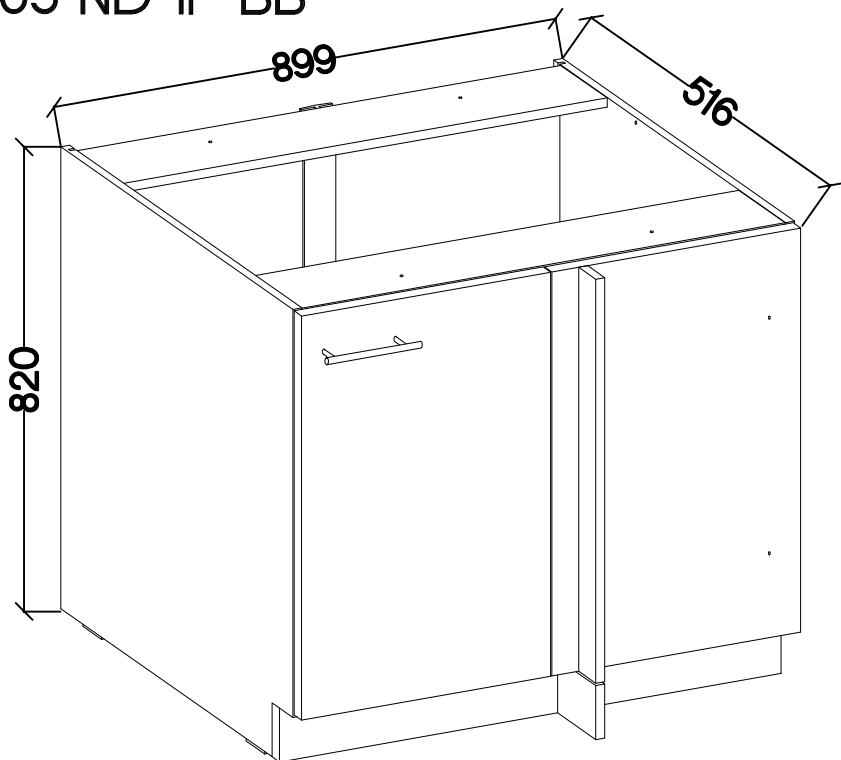


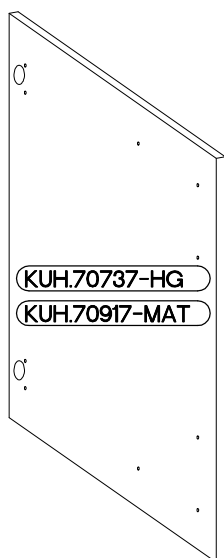
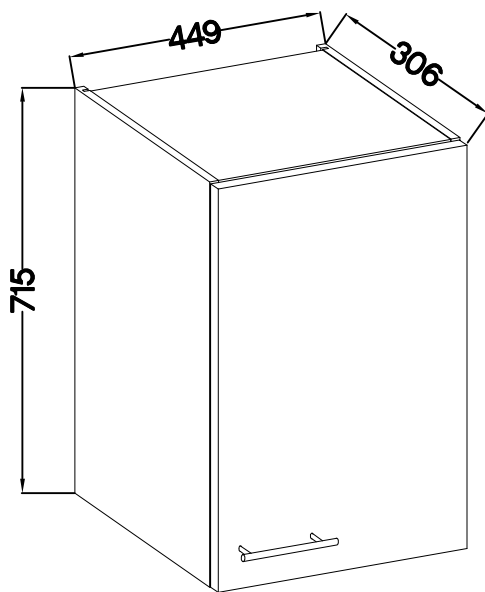
45 G-72 1F  
105 ND 1F BB  
FRONT





105 ND 1F BB



45 G-72 1F



M4x22mm	L=128mm
	
U	S
2	1

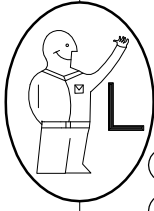
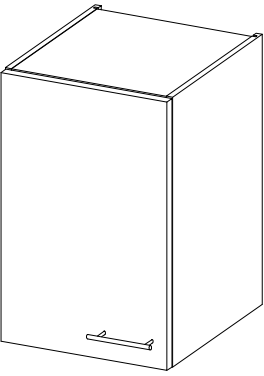
ISM-KUH-01640

# 1

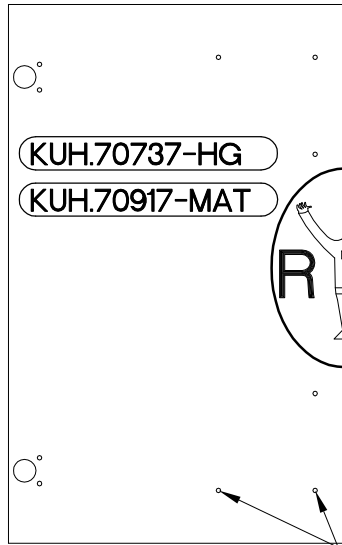
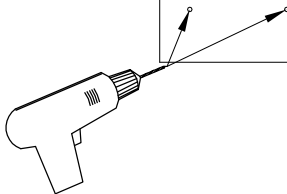
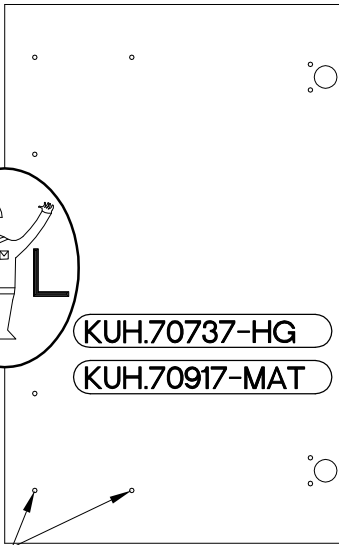
## 45 G-72 1F

### LEFT

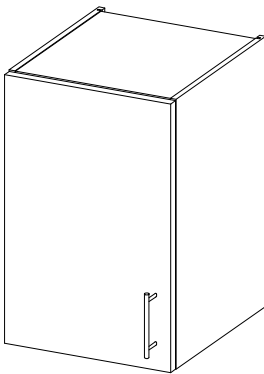
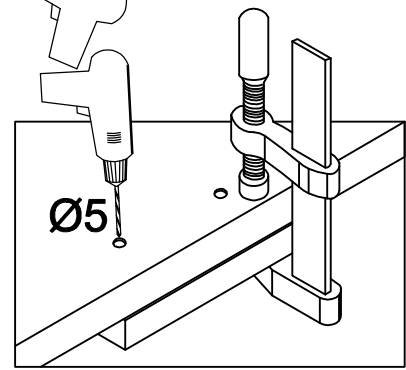
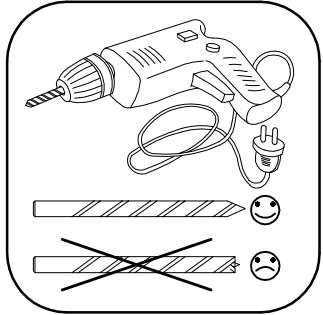
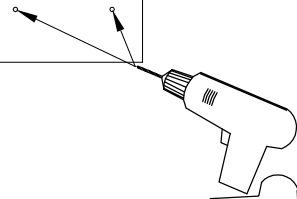
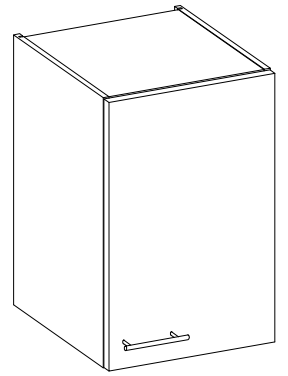
### RIGHT



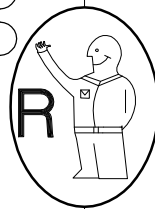
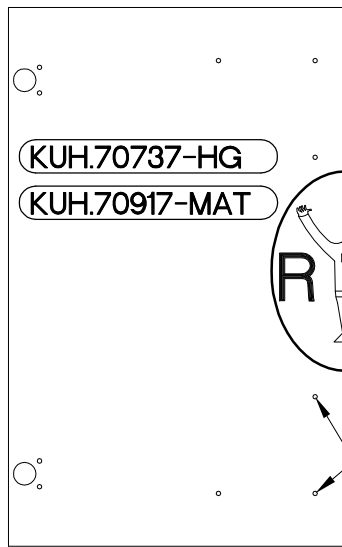
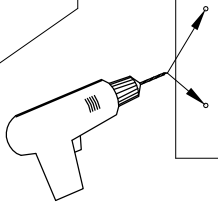
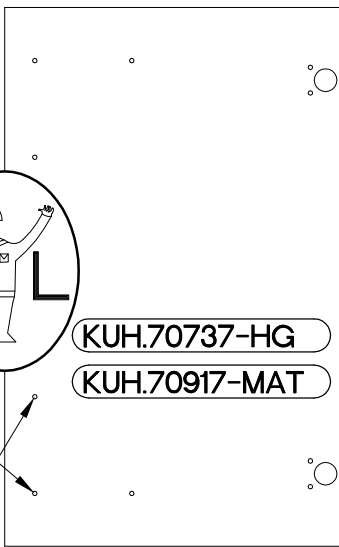
KUH.70737-HG  
KUH.70917-MAT



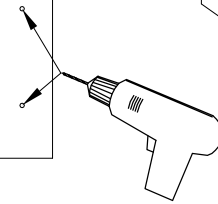
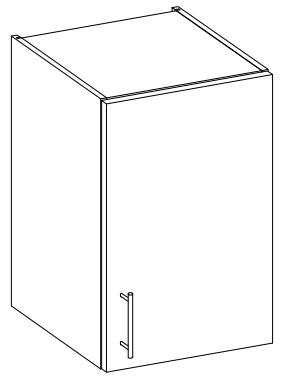
KUH.70737-HG  
KUH.70917-MAT



KUH.70737-HG  
KUH.70917-MAT

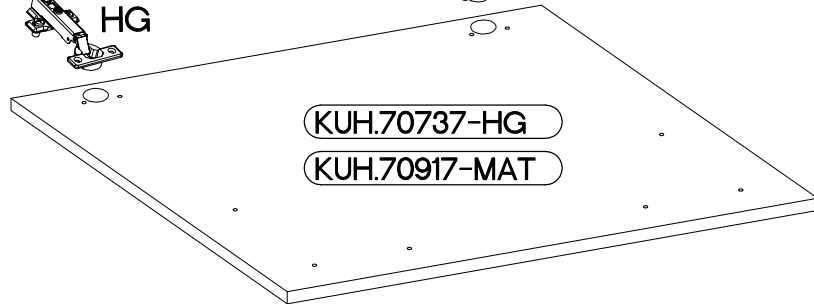
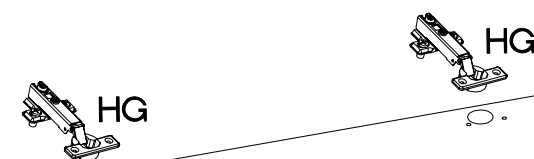


KUH.70737-HG  
KUH.70917-MAT

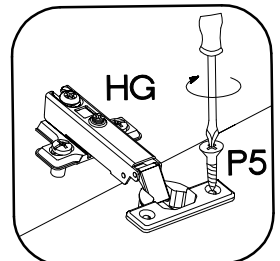



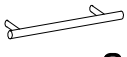
# 2

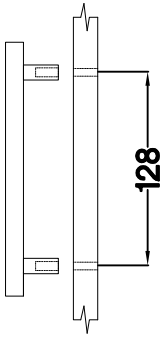
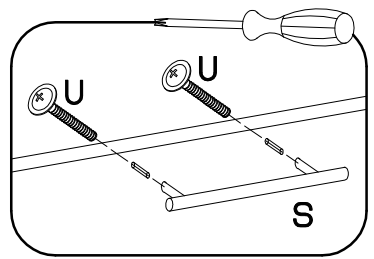
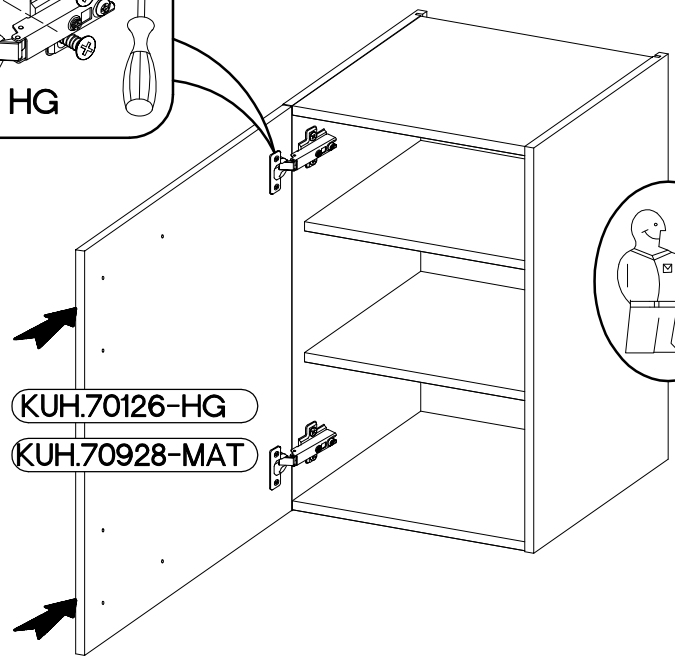
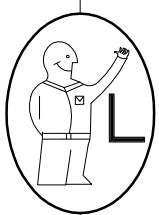
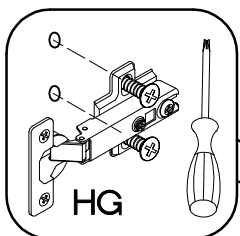
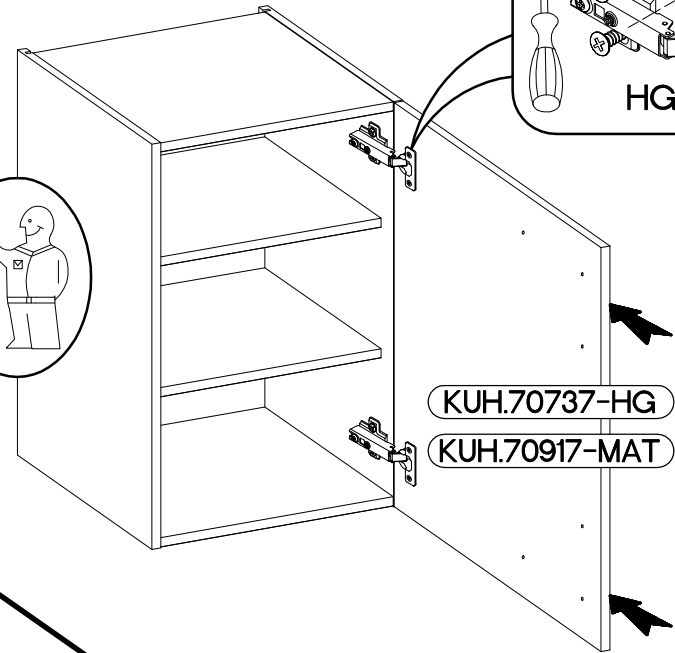
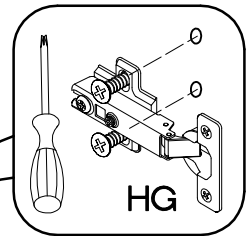
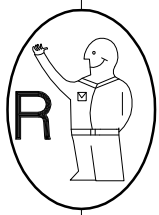
±35/0mm	±3.5x13mm
[CD] HG	P5
2	4



KUH.70737-HG  
KUH.70917-MAT



M4x22mm  U 2	L=128mm  S 1
---	---



VARIANT HIGH GLOSS

