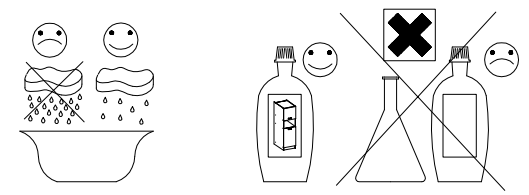
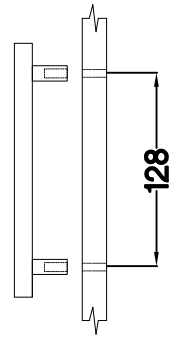
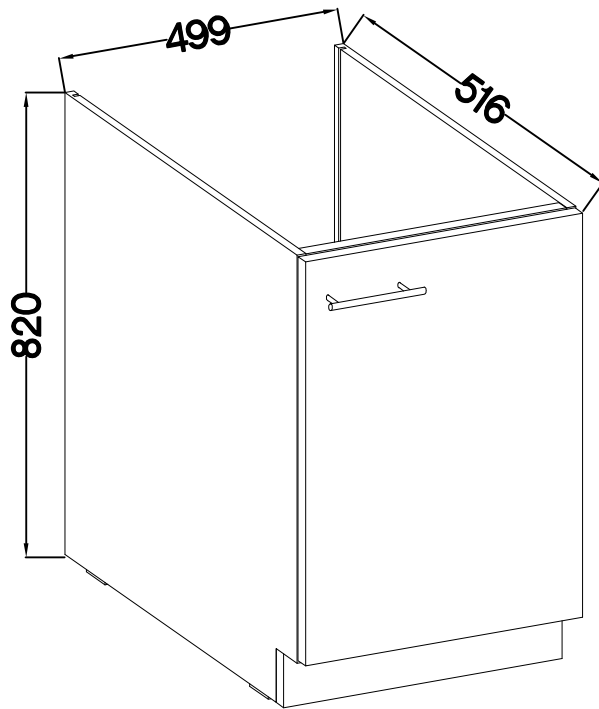


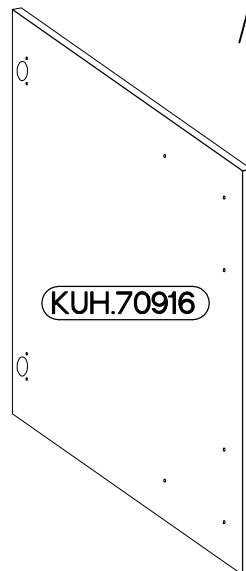
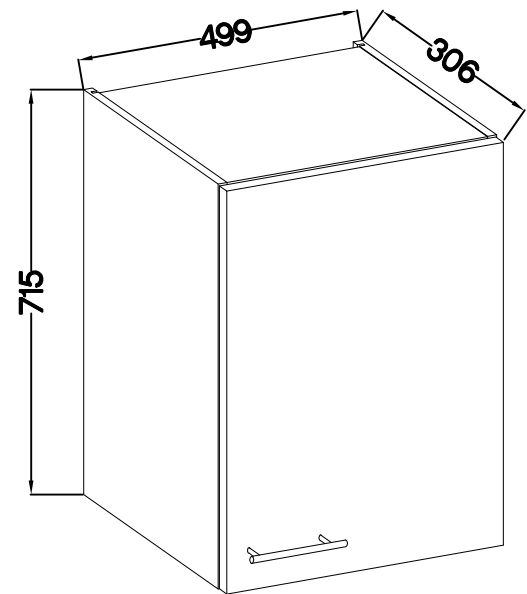
50 G-72 1F  
50 ZL 1F BB  
FRONT





50 ZL 1F BB



50 G-72 1F



M4x22mm	L=128mm
	
U	S
2	1

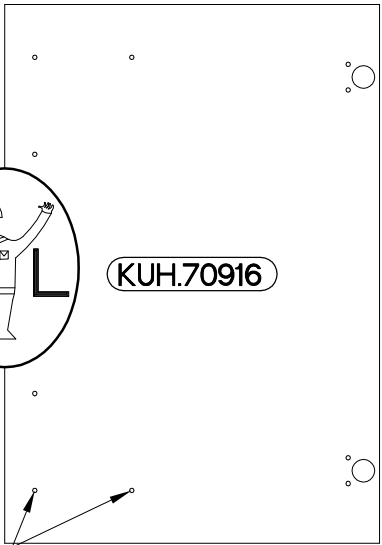
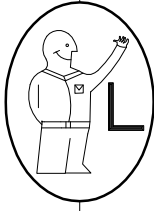
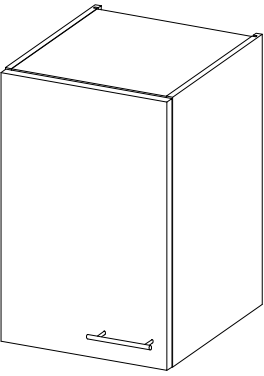
ISM-KUH-01641

# 1

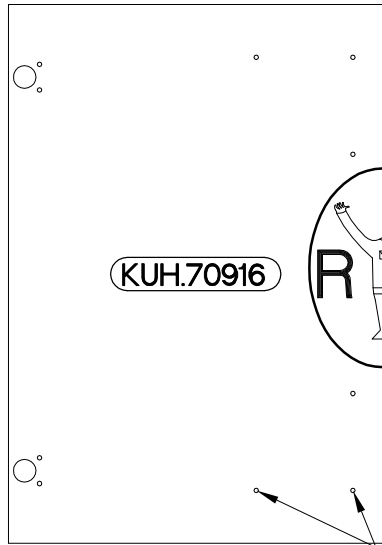
## 50 G-72 1F

### LEFT

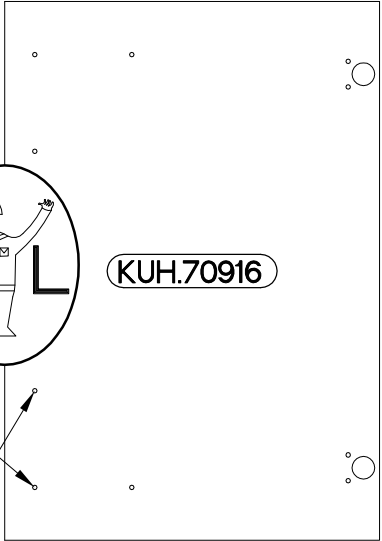
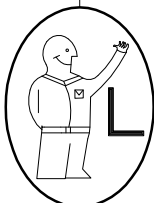
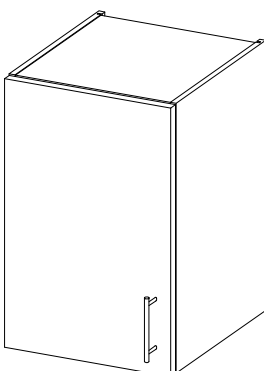
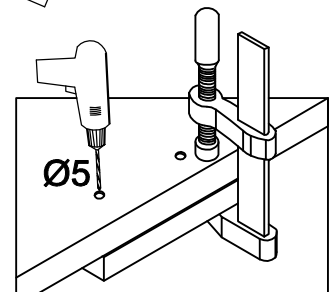
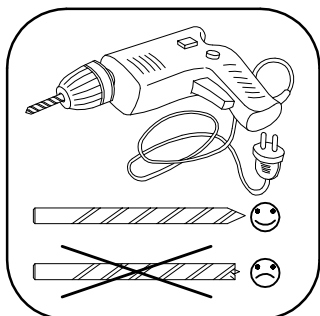
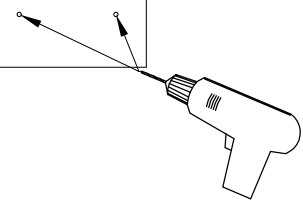
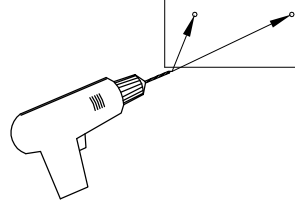
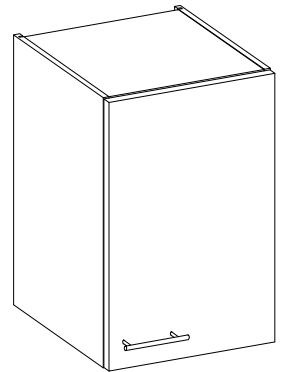
### RIGHT



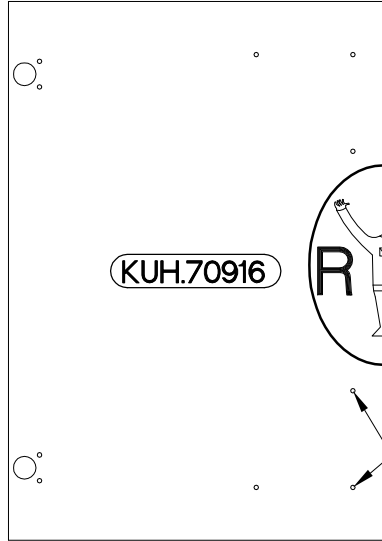
KUH.70916



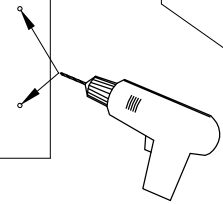
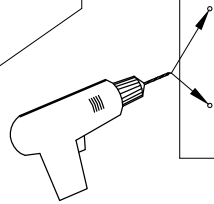
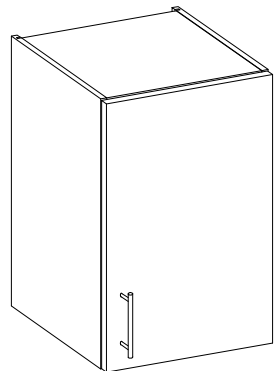
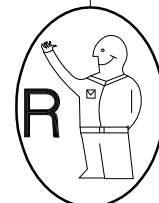
KUH.70916



KUH.70916

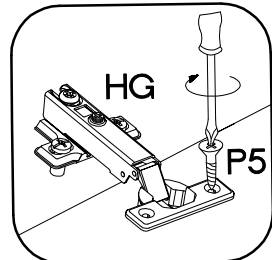
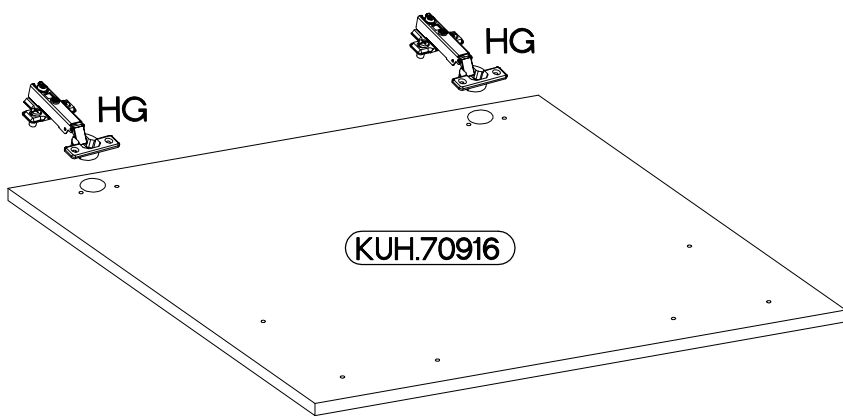


KUH.70916

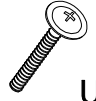
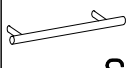


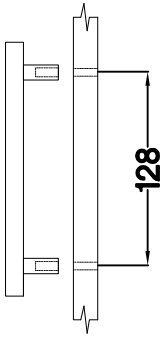
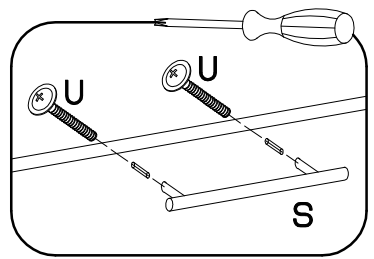
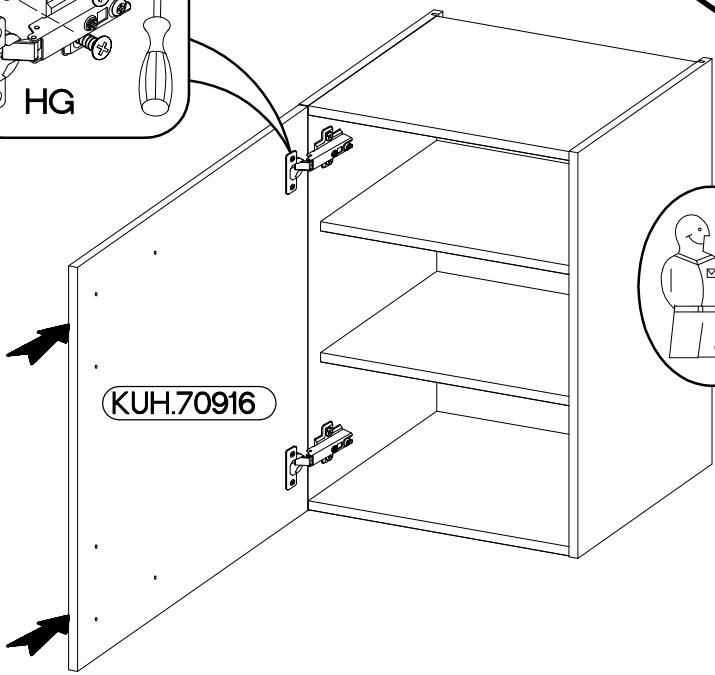
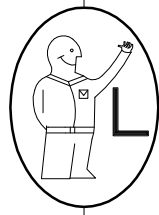
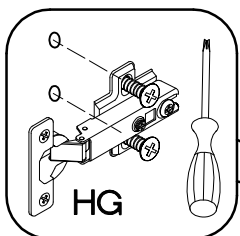
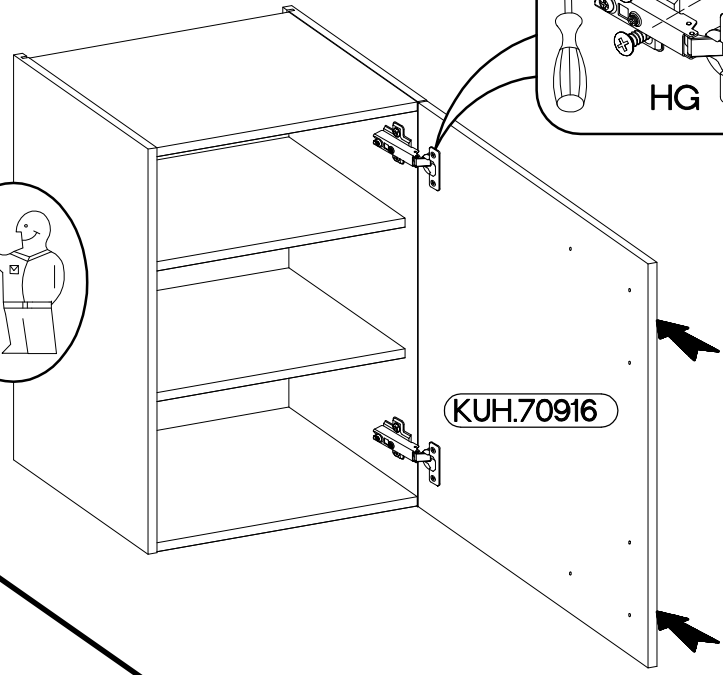
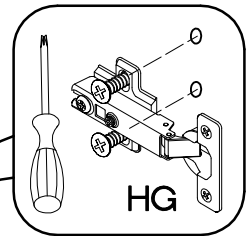
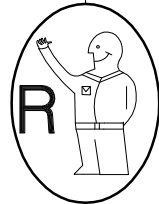
# 2

+35/0mm	+3.5x13mm
[CD] HG	P5
2	4



3

M4x22mm  U 2	L=128mm  S 1
---	---



VARIANT HIGH GLOSS

