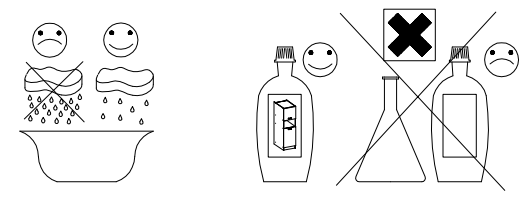
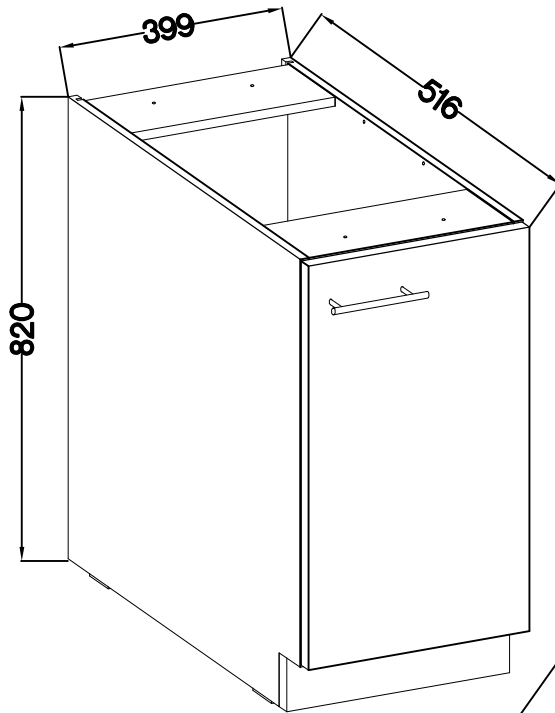


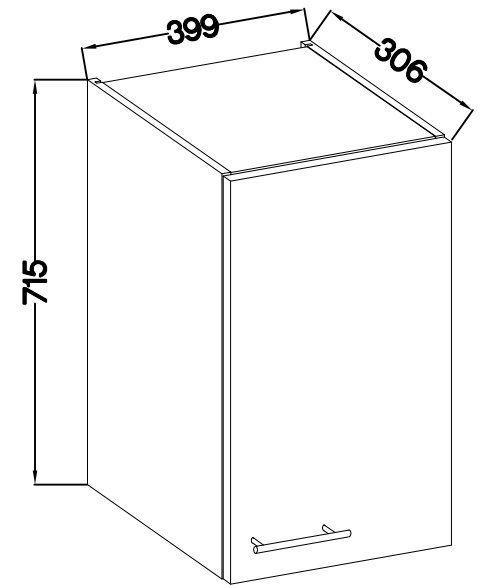
40 D 1F BB
40 G-72 1F
58x58 GN-72 1F
FRONT



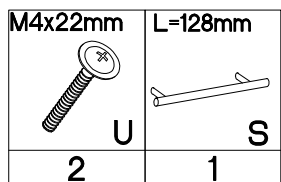
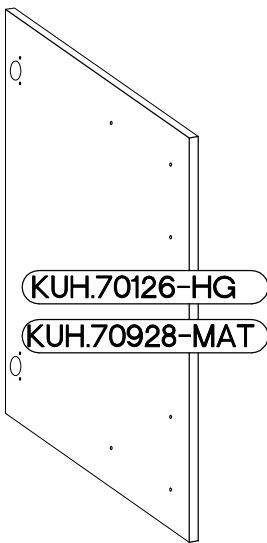
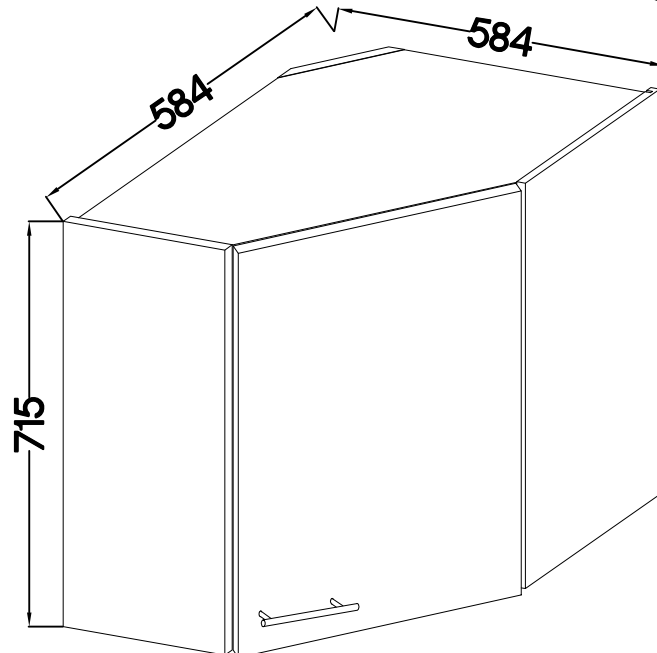
40 D 1F BB



40 G-72 1F



58x58 GN-72 1F

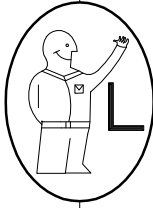
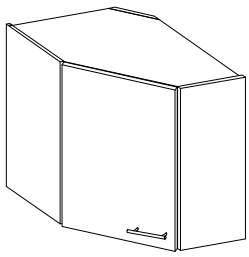


7

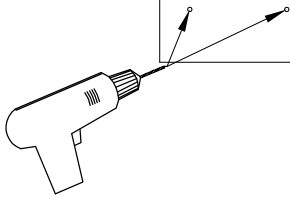
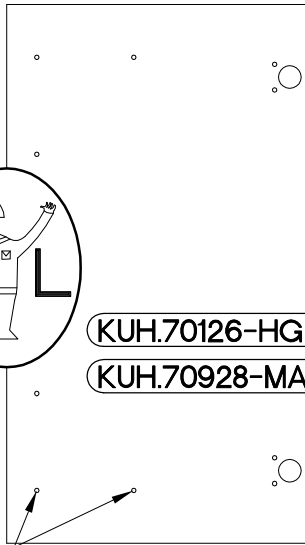
58x58 GN-72 1F

LEFT

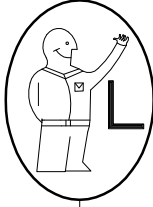
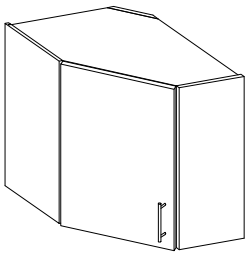
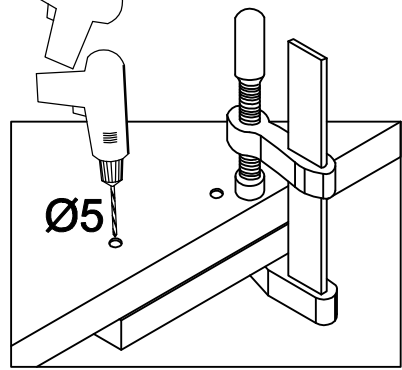
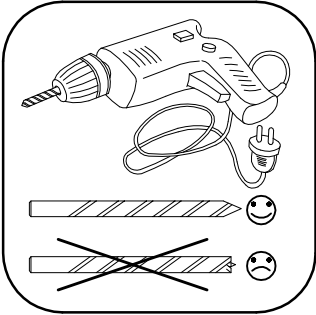
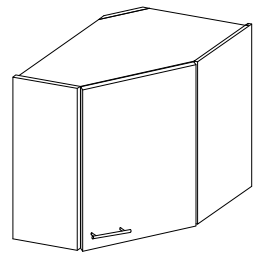
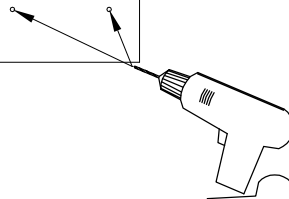
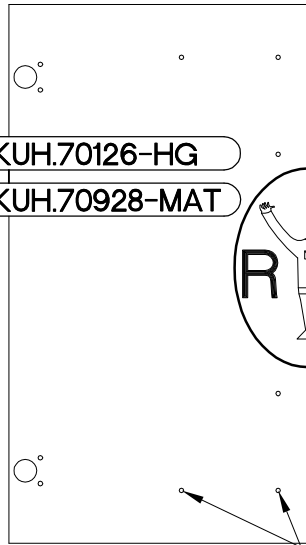
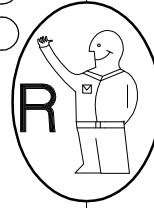
RIGHT



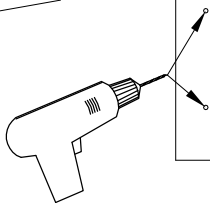
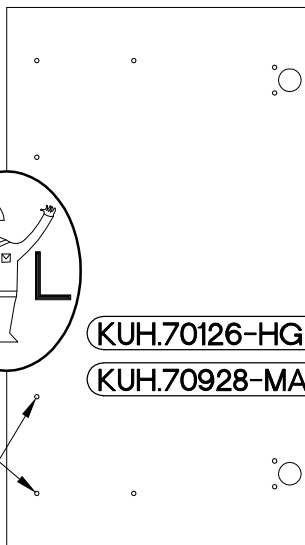
KUH.70126-HG
KUH.70928-MAT



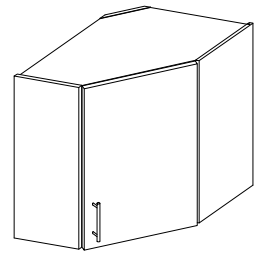
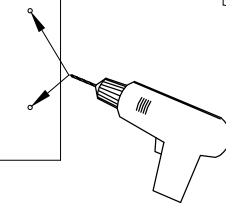
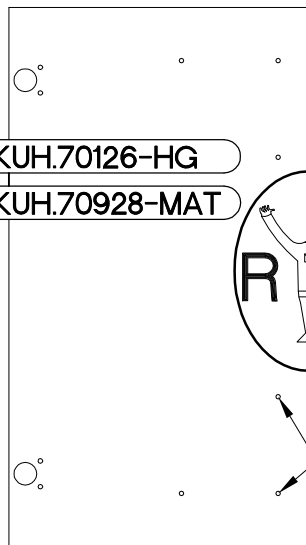
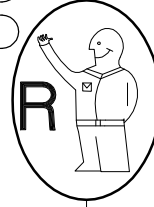
KUH.70126-HG
KUH.70928-MAT



KUH.70126-HG
KUH.70928-MAT

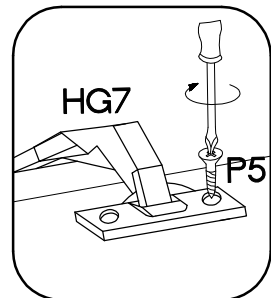
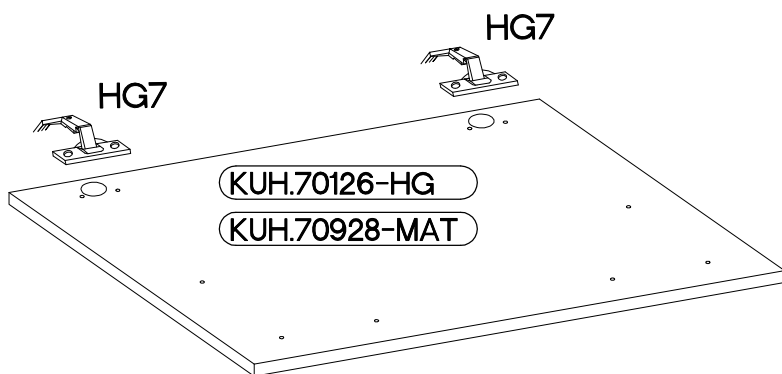


KUH.70126-HG
KUH.70928-MAT


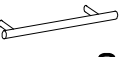


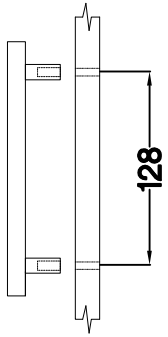
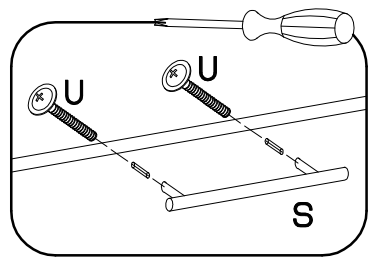
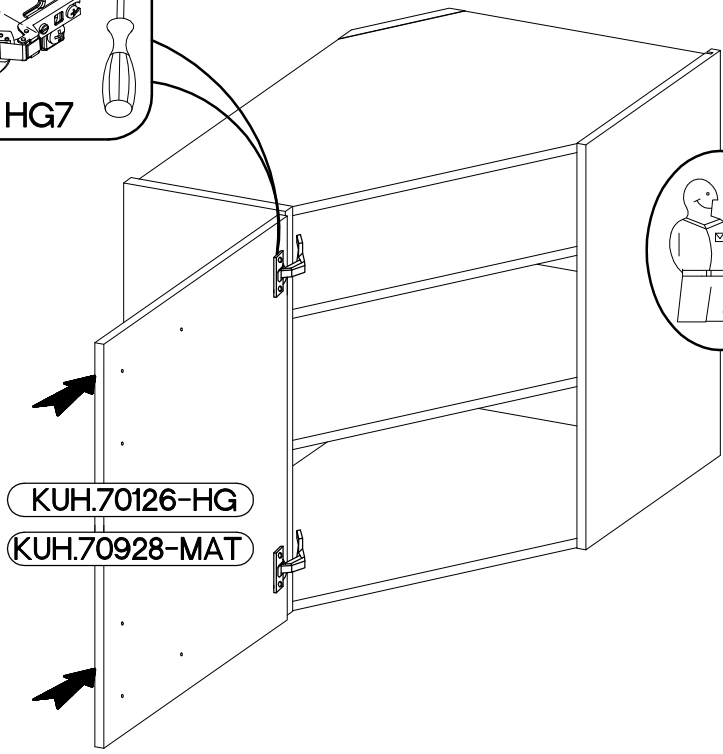
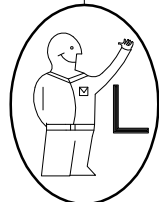
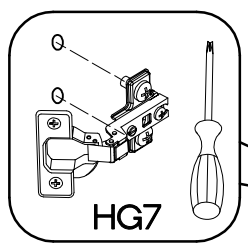
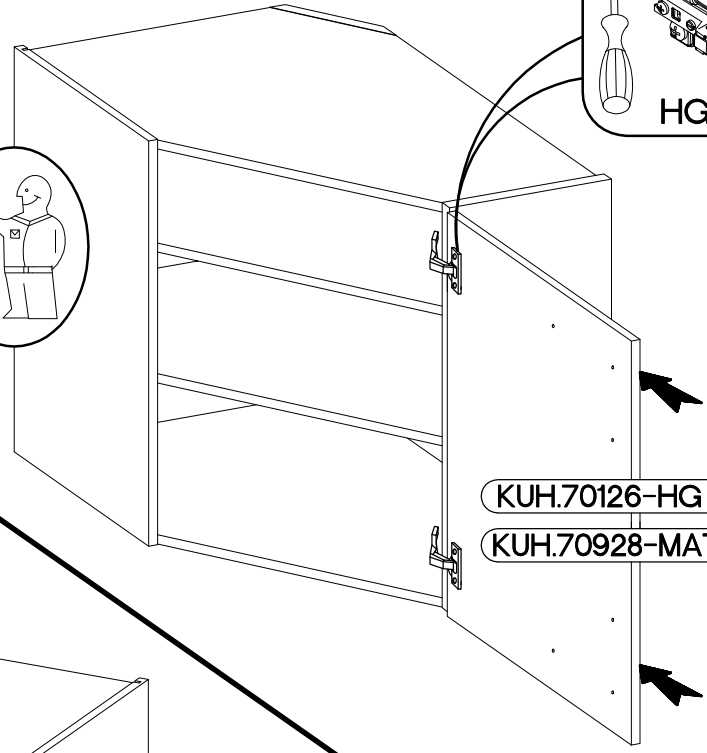
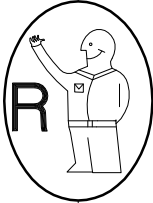
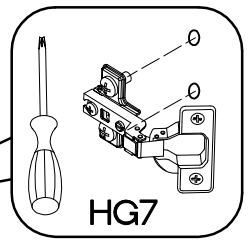
8

$\pm 35/45^\circ$ H=0	$\pm 3.5 \times 13 \text{mm}$
(CD) HG7	P5
2	4



9

M4x22mm	L=128mm
	
U	S
2	1



VARIANT HIGH GLOSS

