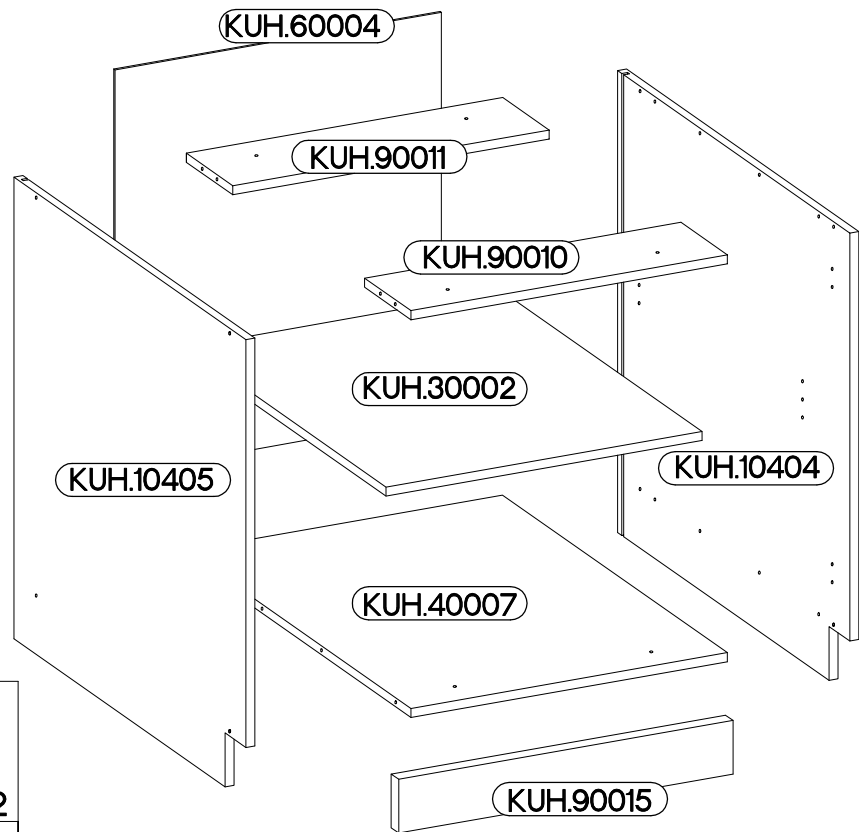
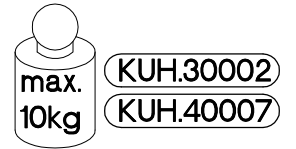
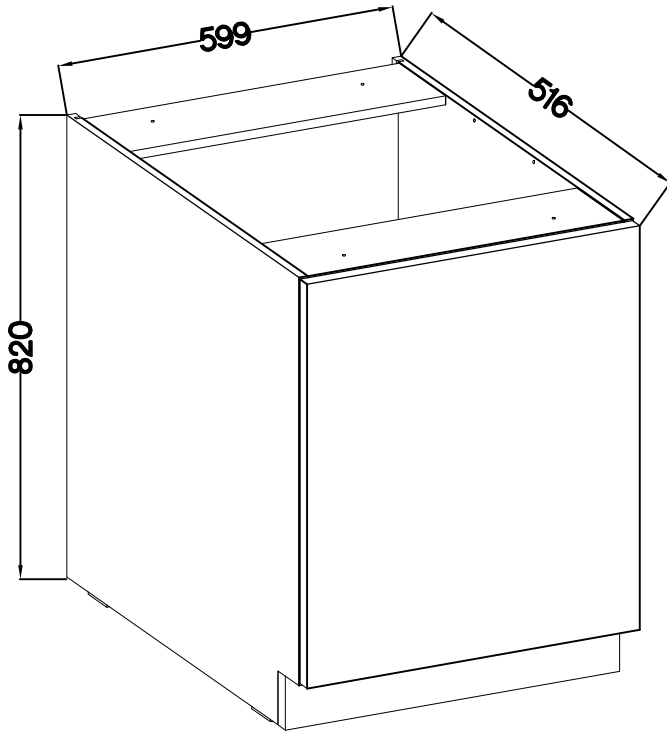
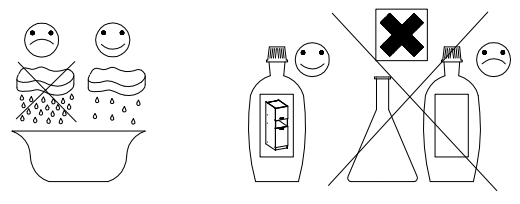


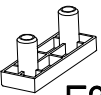
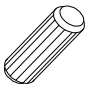
60 D 1F BB

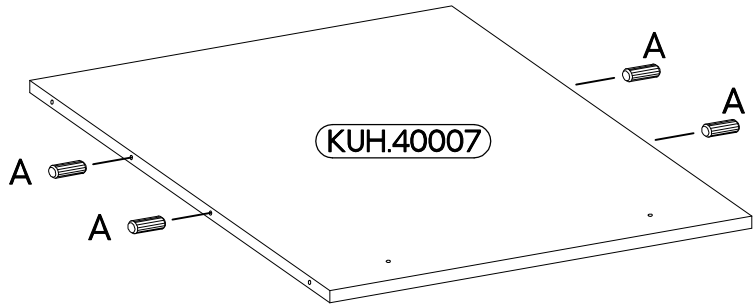
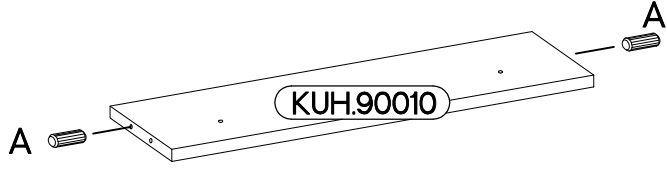
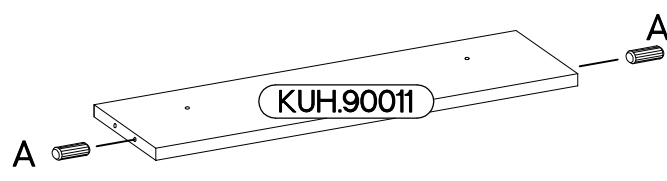
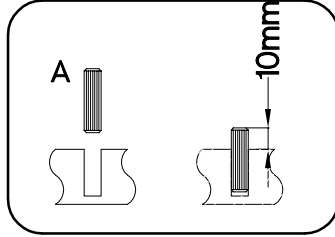
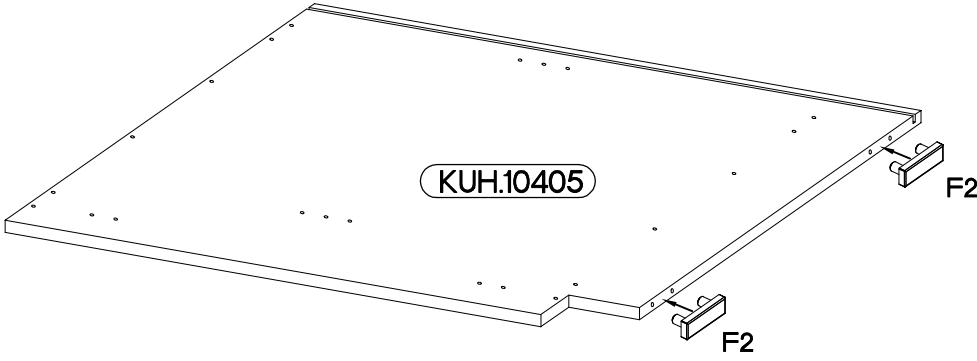
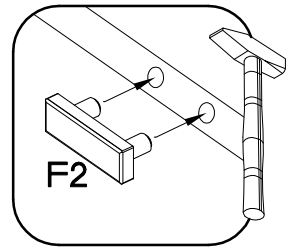
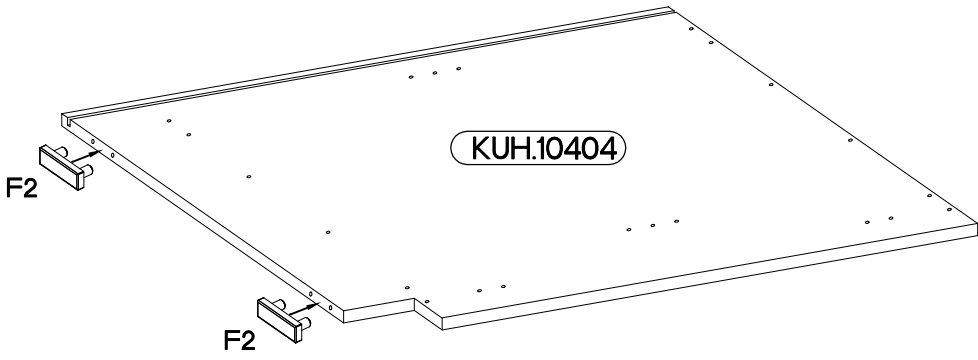
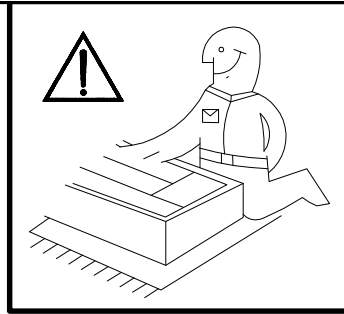


 A 8	 B 8	 E1 8	 E9 2	 F2 4		
 HG 2	 J 4	 O 1	 P4 2	 P5 4	 P7 8-10	 R3 4

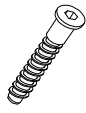
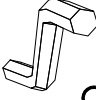
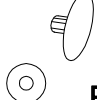
ISM-KUH-01621

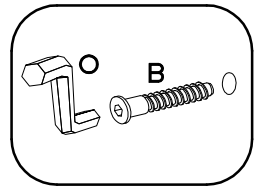
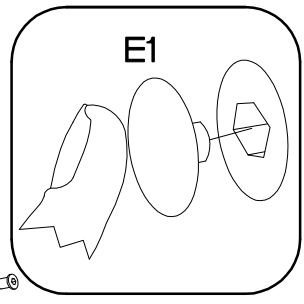
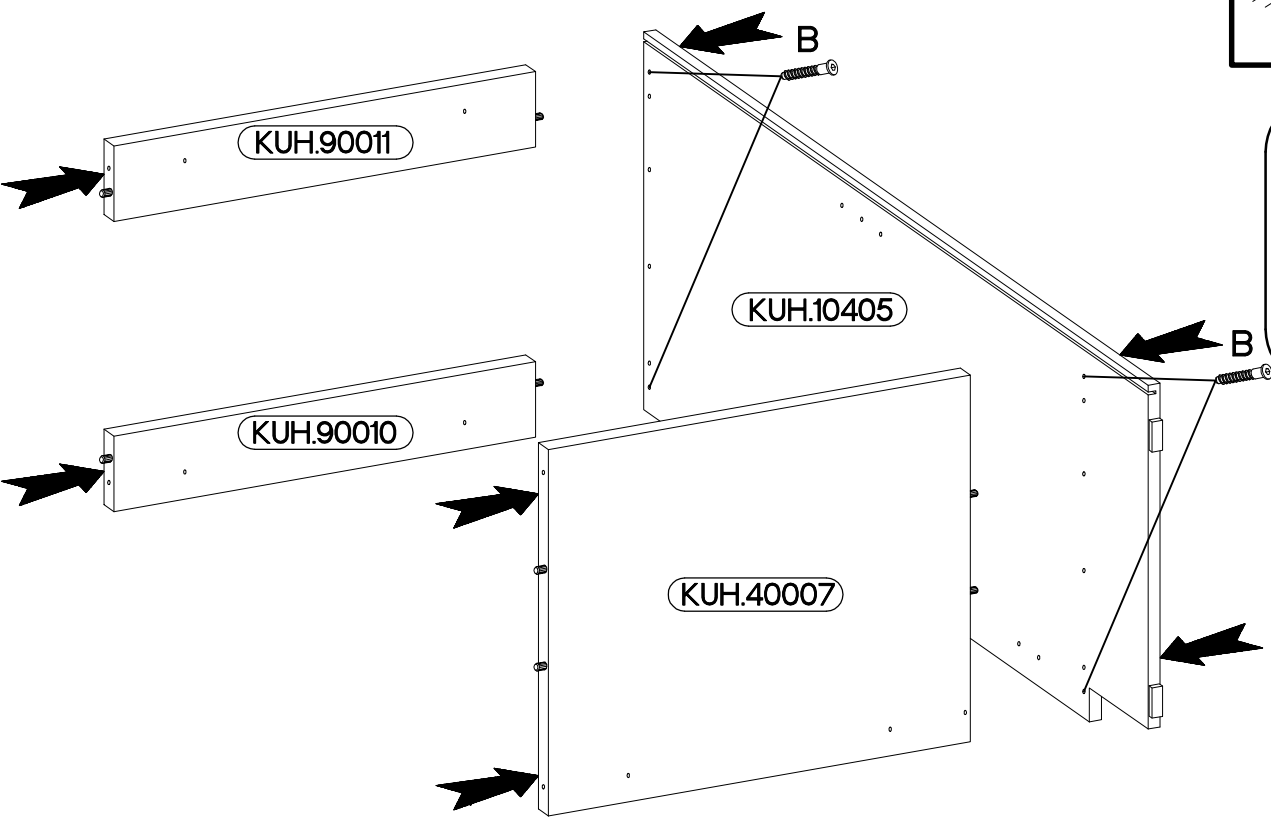
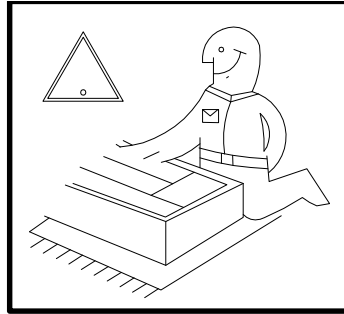
1

6.5x48x16  F2 4	+8x30mm  A 8
--	---


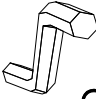
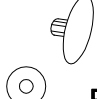


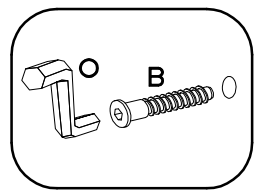
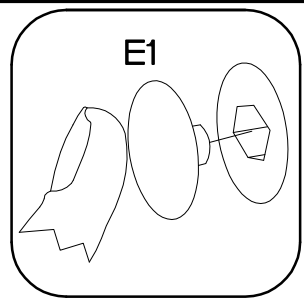
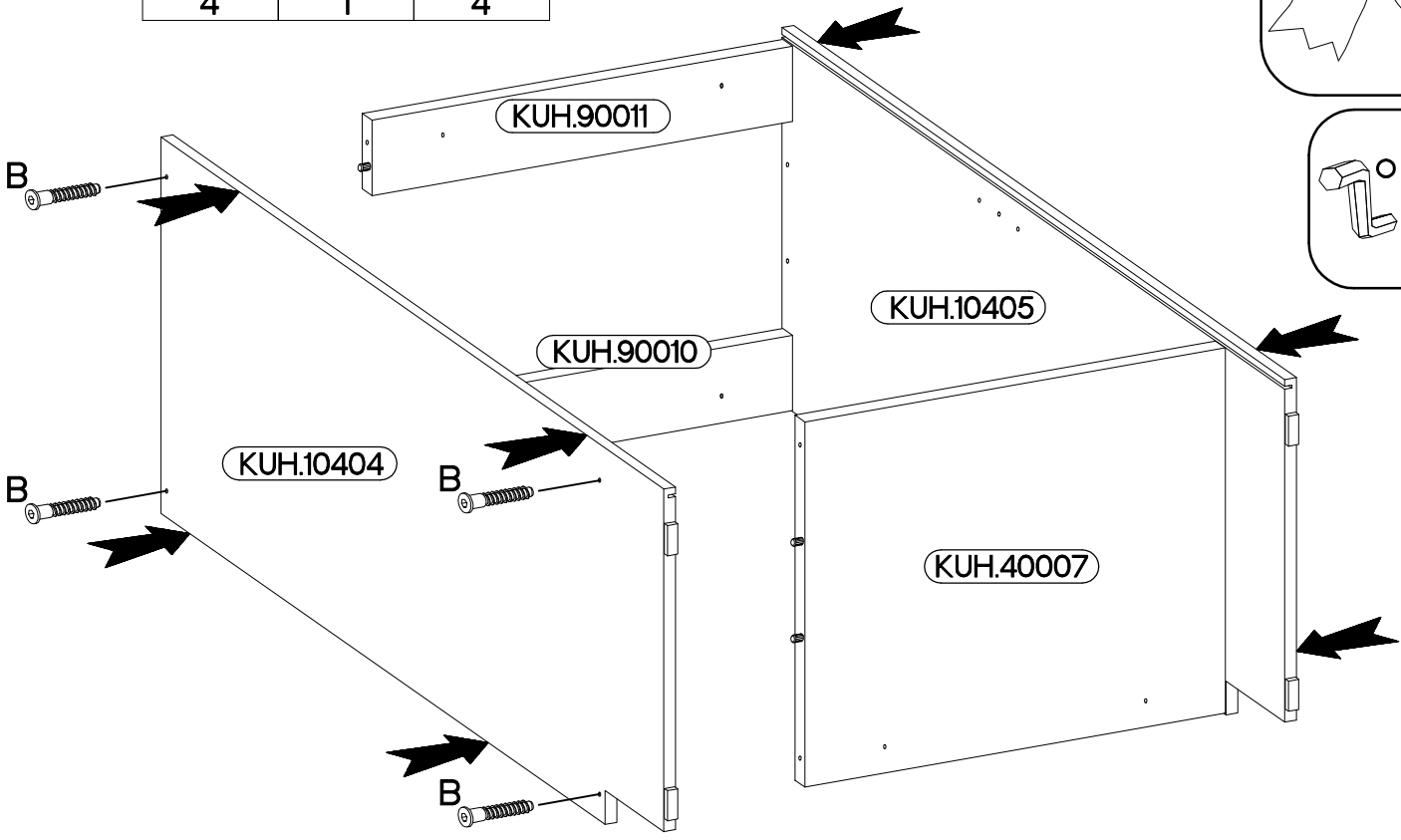
2

6,4 x 50mm		
		
B	O	E1
4	1	4

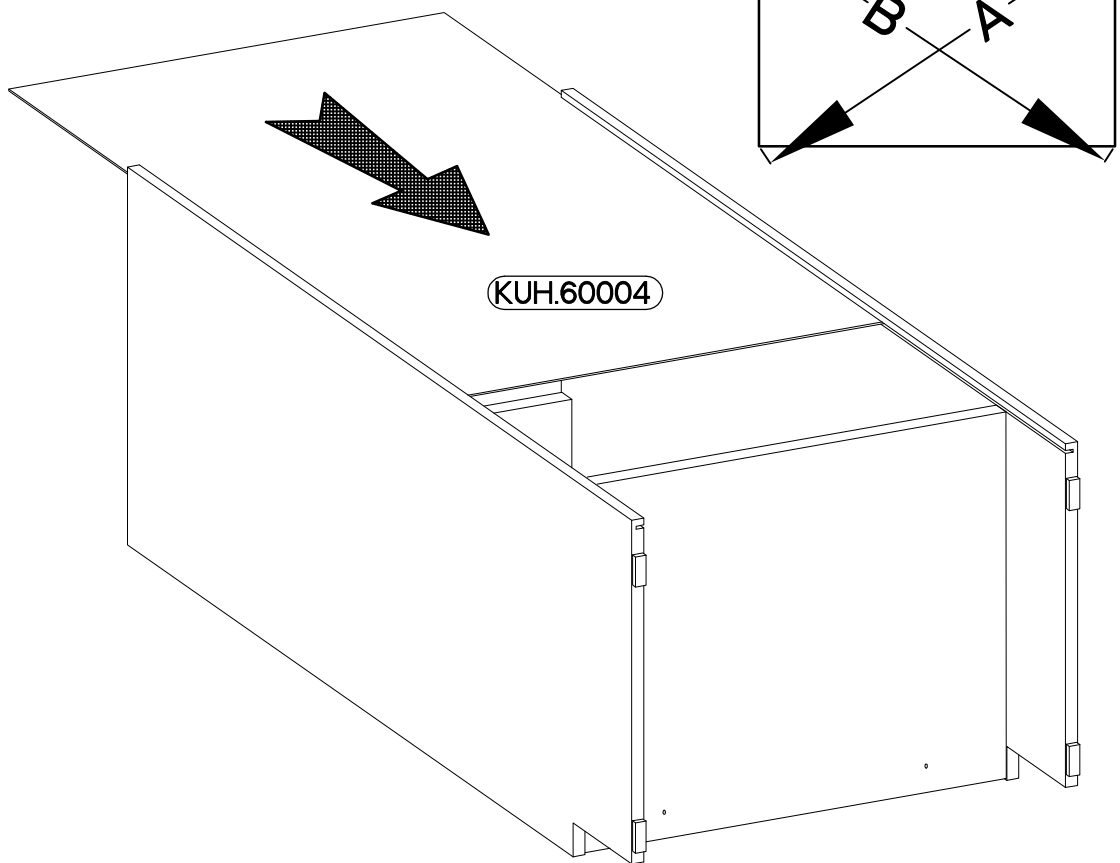


3

6,4 x 50mm		
		
B	O	E1
4	1	4

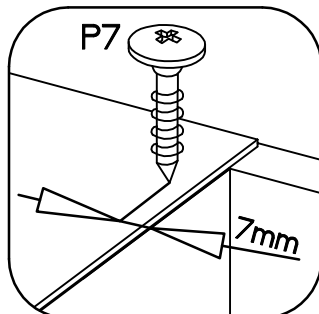
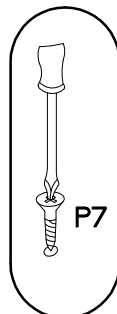
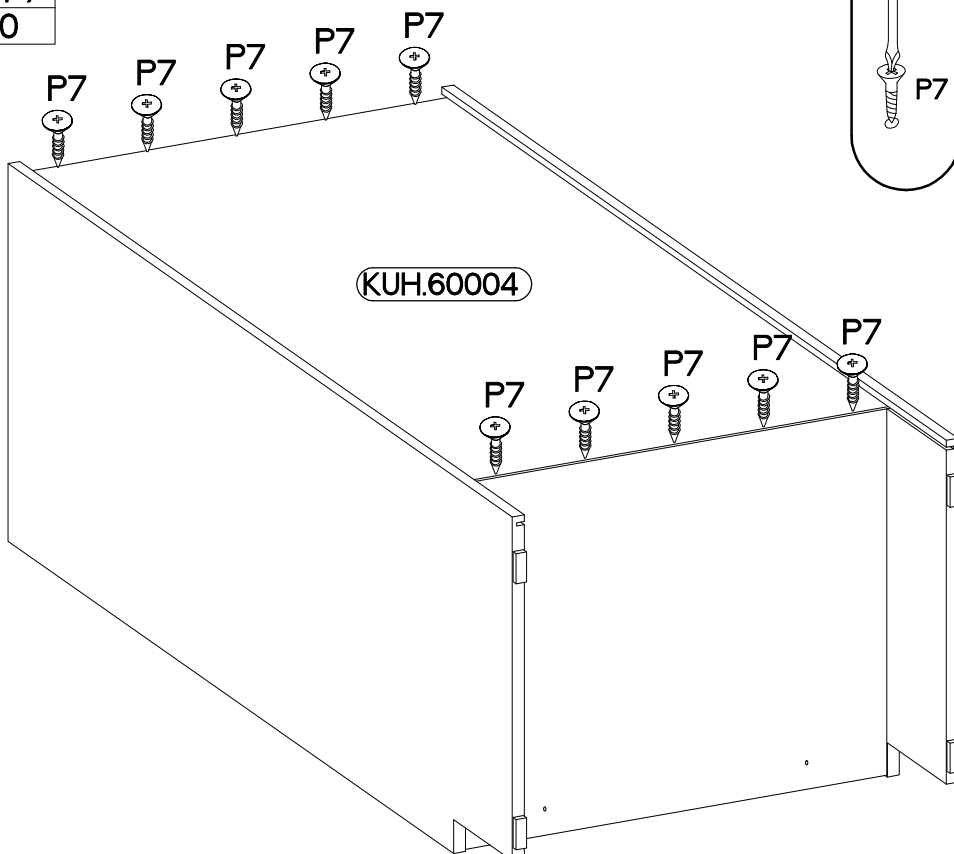


4





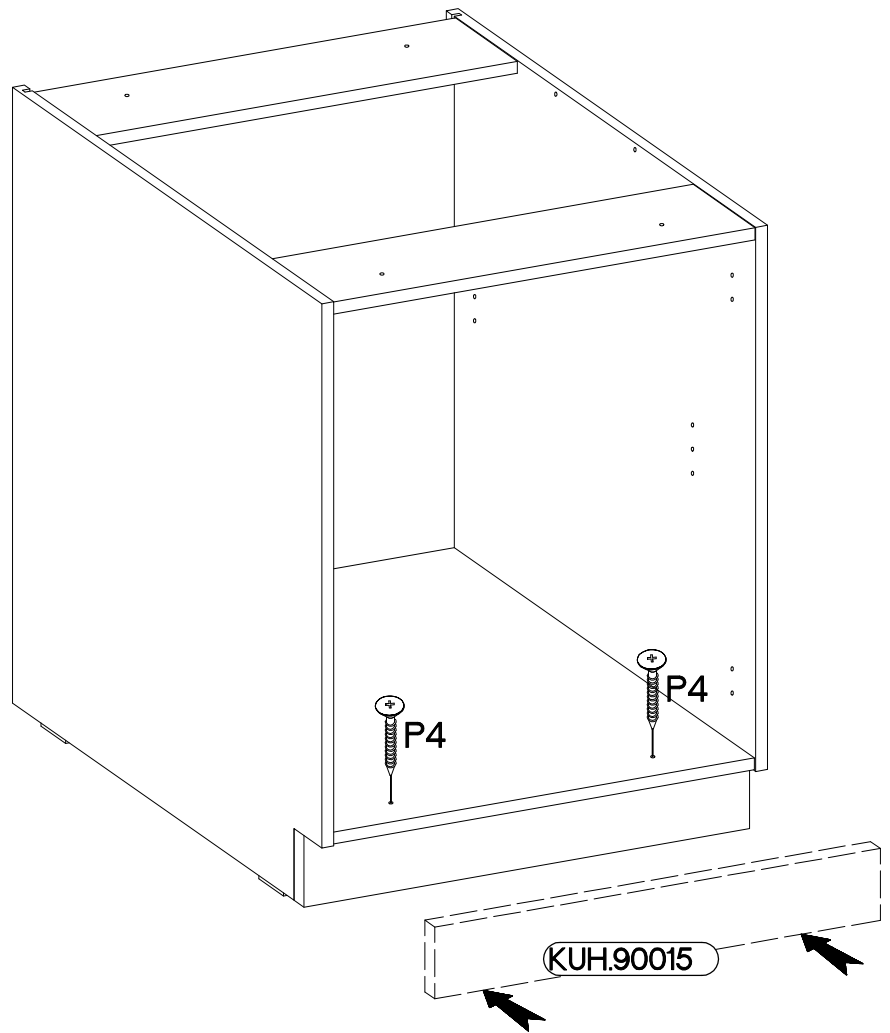
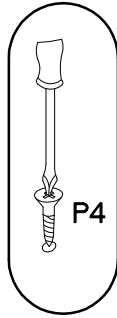
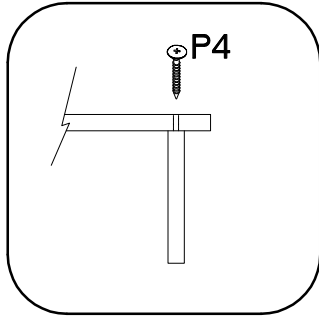
5

φ3.0x20mm
P7
8-10




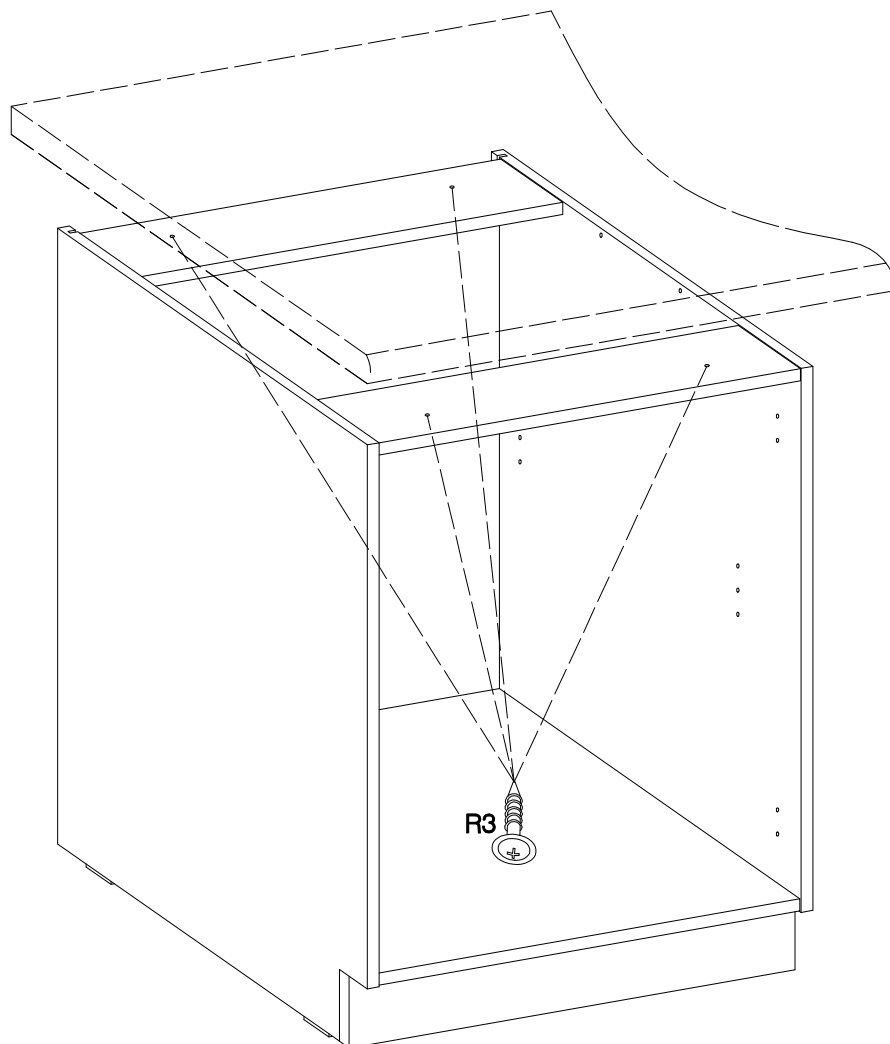
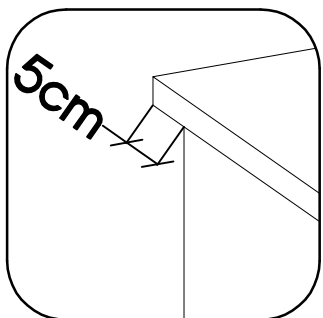
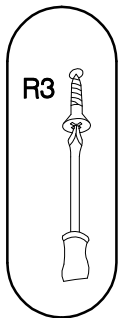
6

+4.0x45mm	
	
P4	E9
2	2



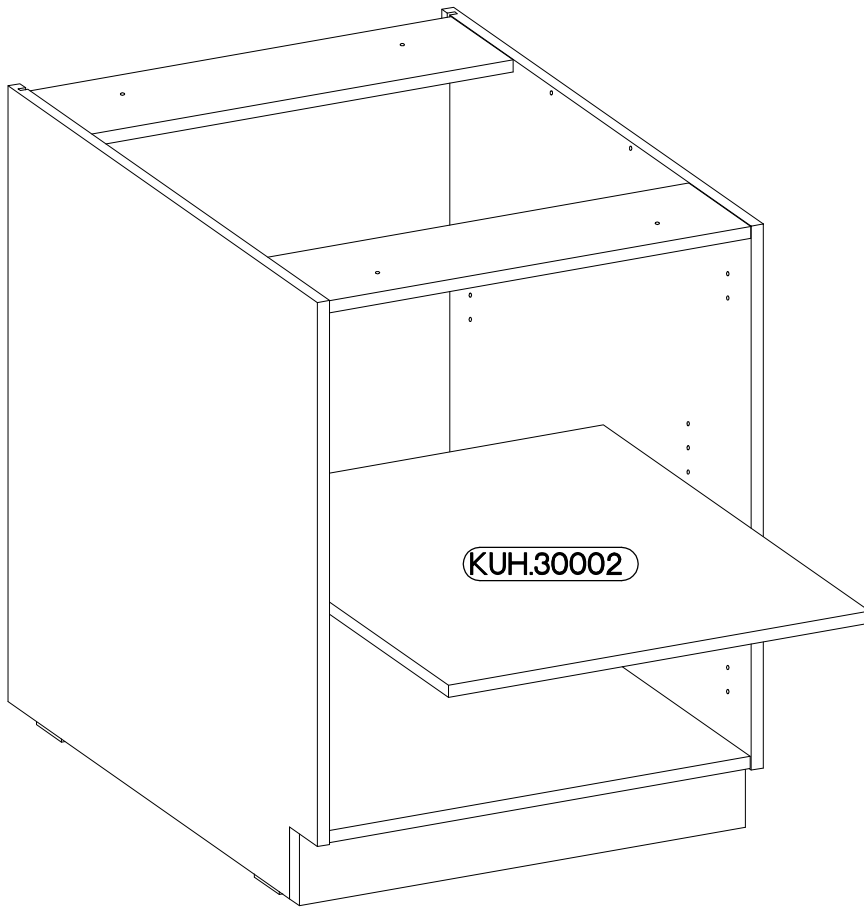
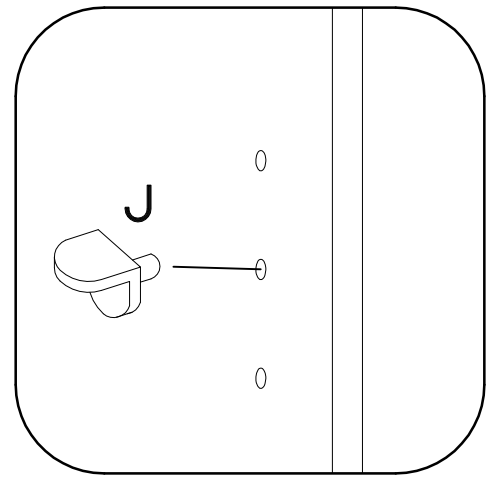
7

+4.0x35mm	
	
R3	
4	



8

±5/19mm
J
4



9

FRONT

