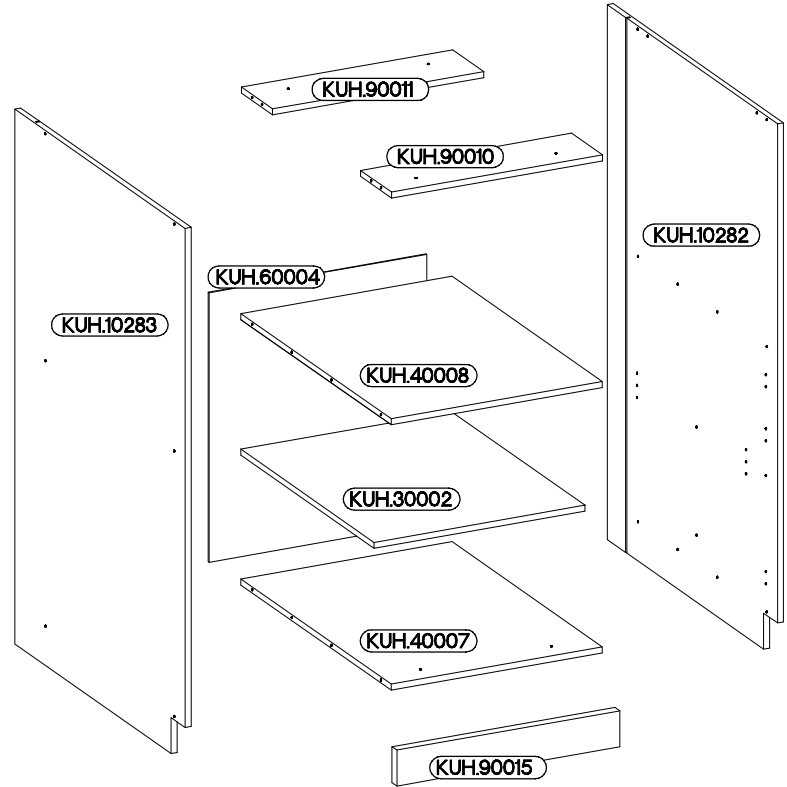
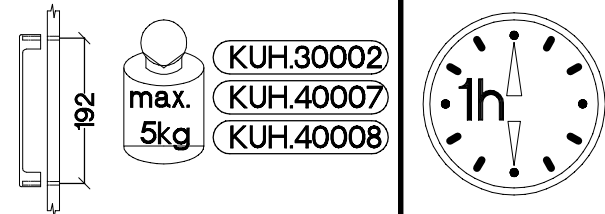
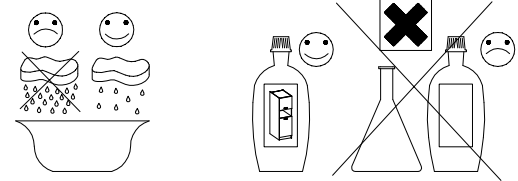
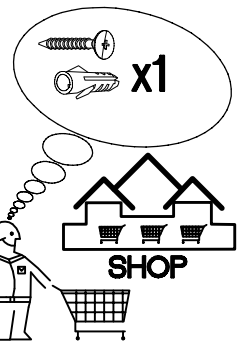
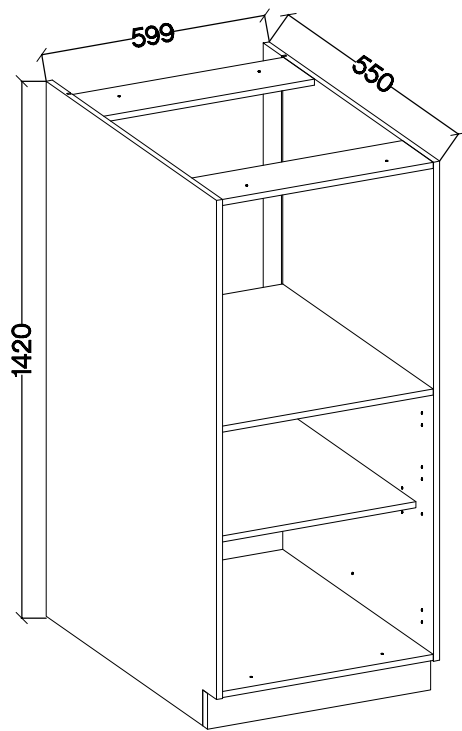
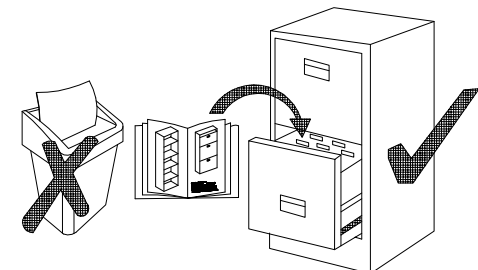


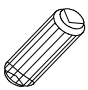
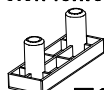
**60 DP-1450**

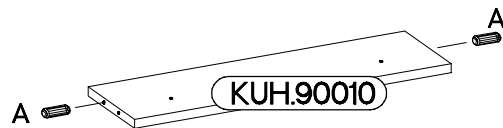
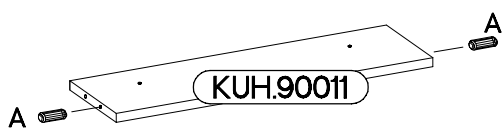
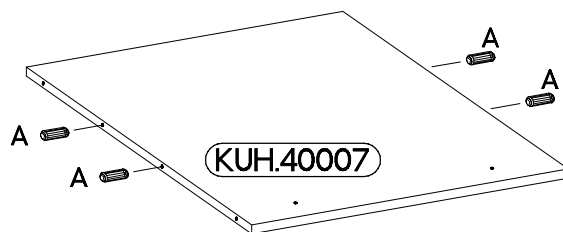
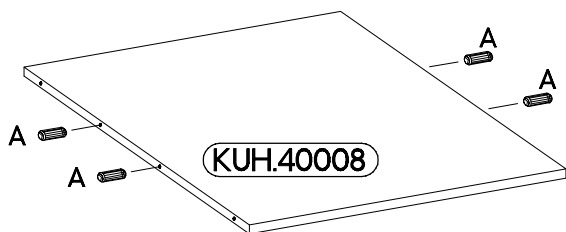
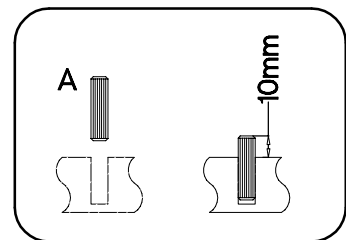
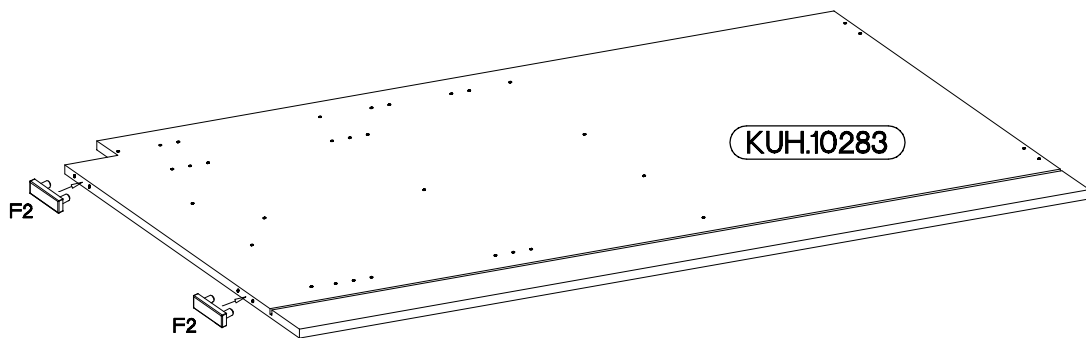
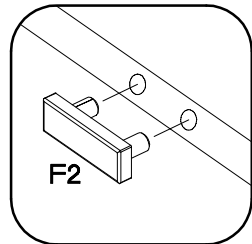
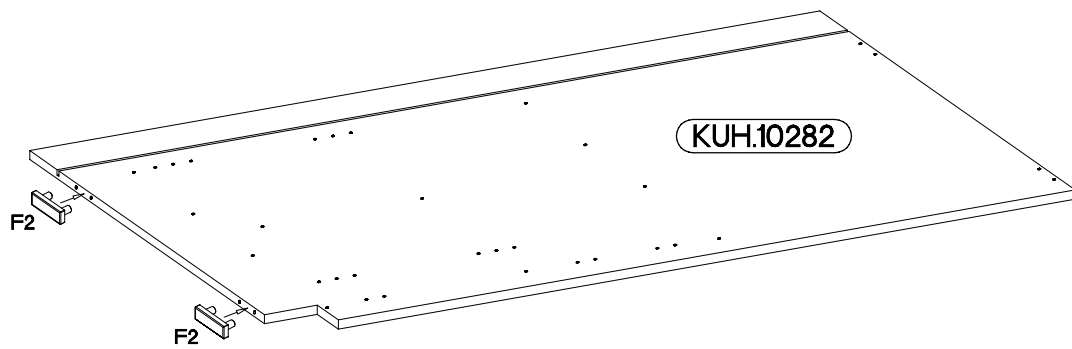
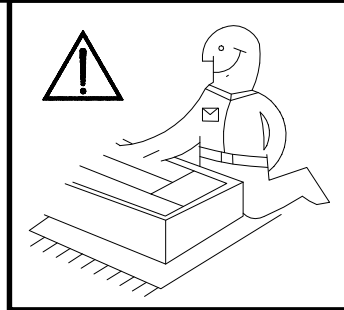


<b>A</b>	<b>B</b>	<b>E1</b>				
12	12	12				
<b>E9</b>	<b>F2</b>	<b>HG</b>	<b>J</b>	<b>K28</b>	<b>K29</b>	<b>L25</b>
2	4	2	4	2	1	1
<b>O</b>	<b>P4</b>	<b>P5</b>	<b>P7</b>	<b>R2</b>	<b>R3</b>	<b>S15</b>
1	2	10	8-10	2	4	1



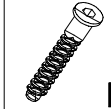
1

$\varnothing 8 \times 30 \text{mm}$  A 12	$6.5 \times 48 \times 16$  F2 4
--	--



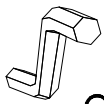
2

6,4 x 50mm



B

6



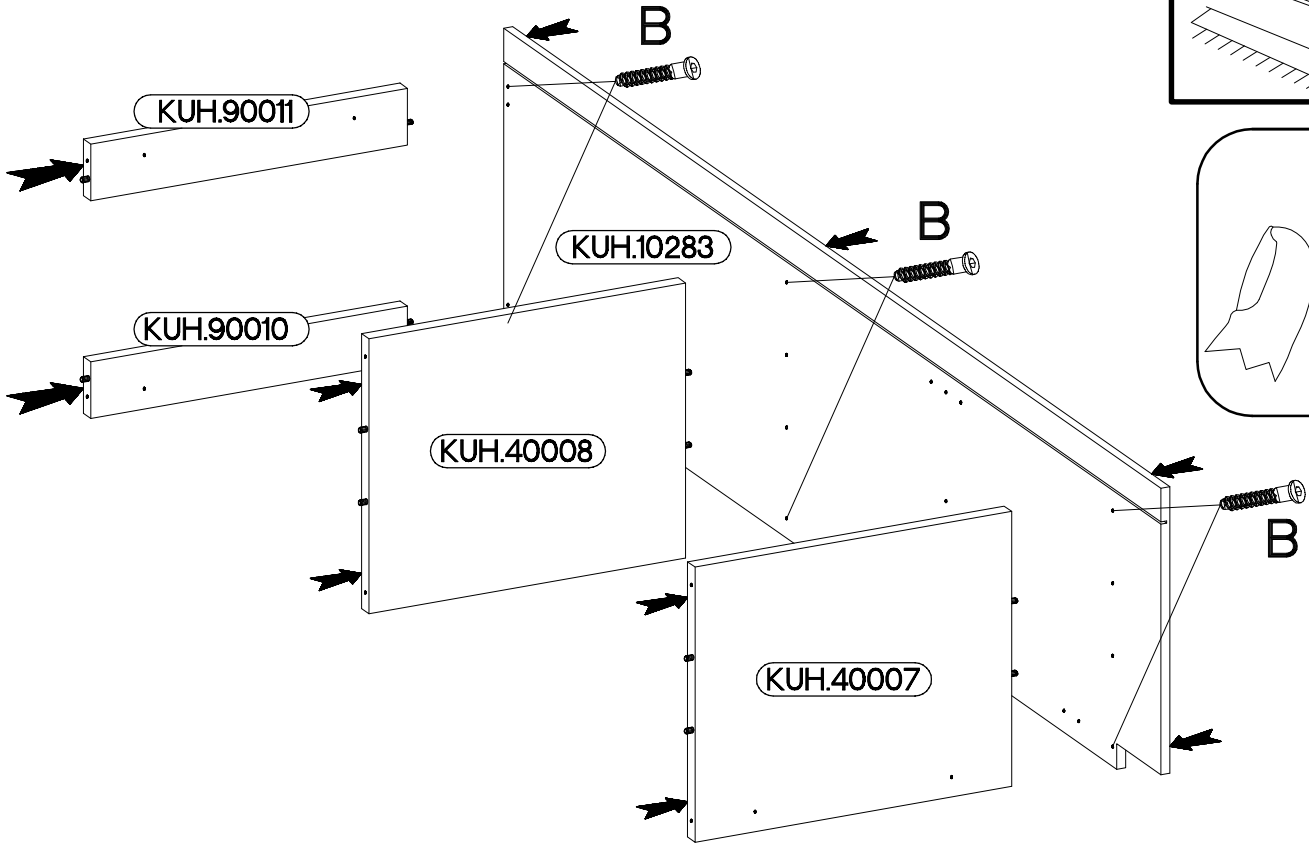
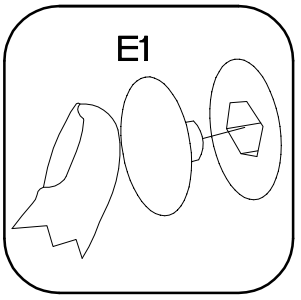
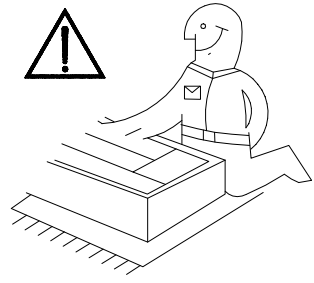
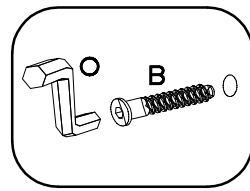
O

1



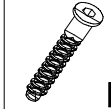
E1

6



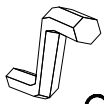
3

6,4 x 50mm



B

6



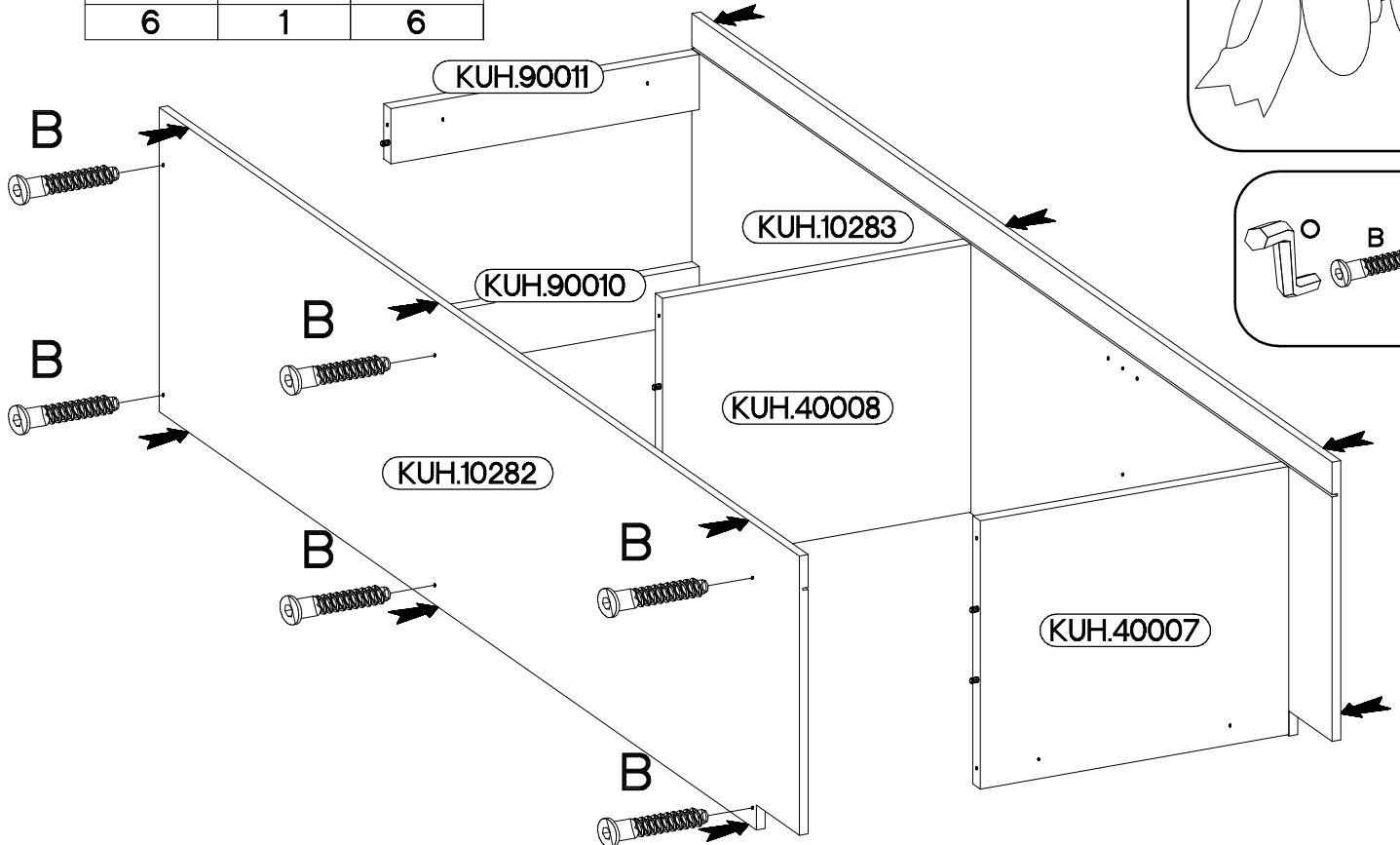
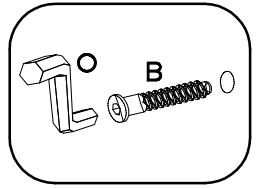
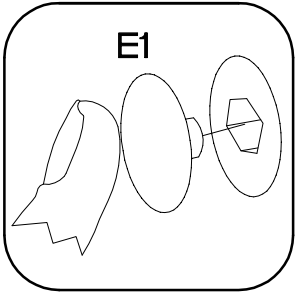
O

1

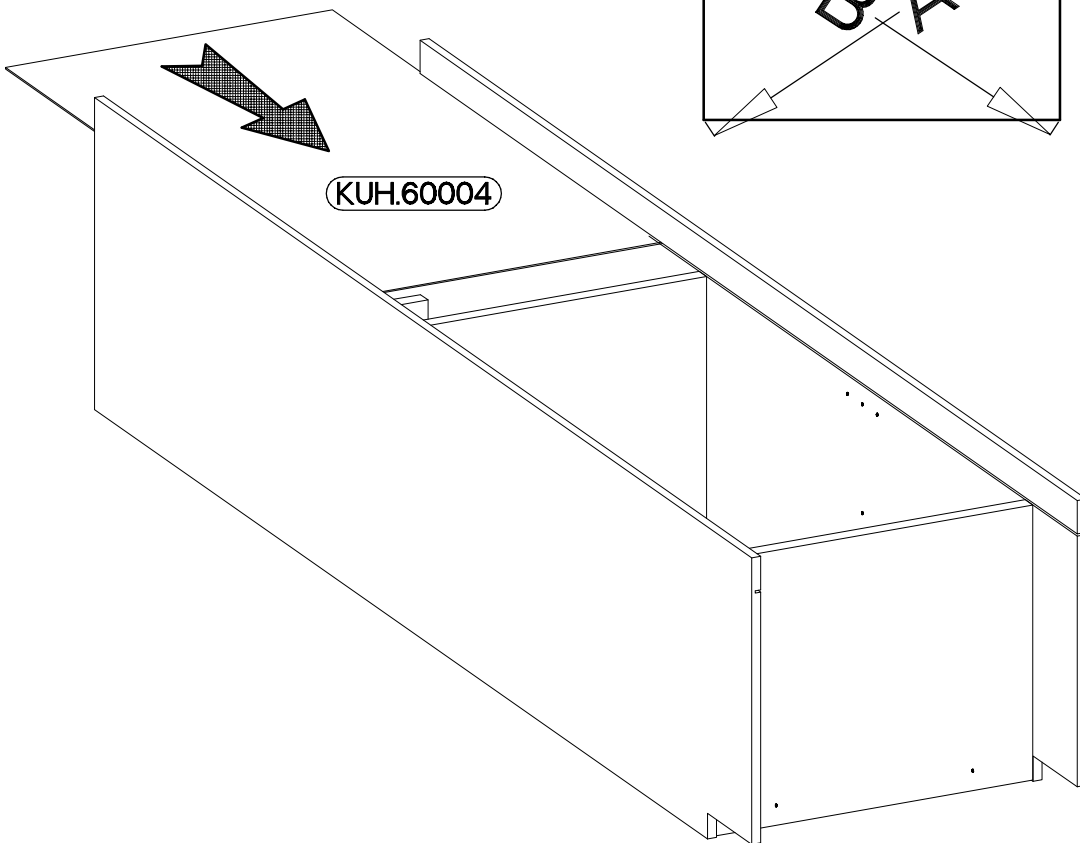


E1


6

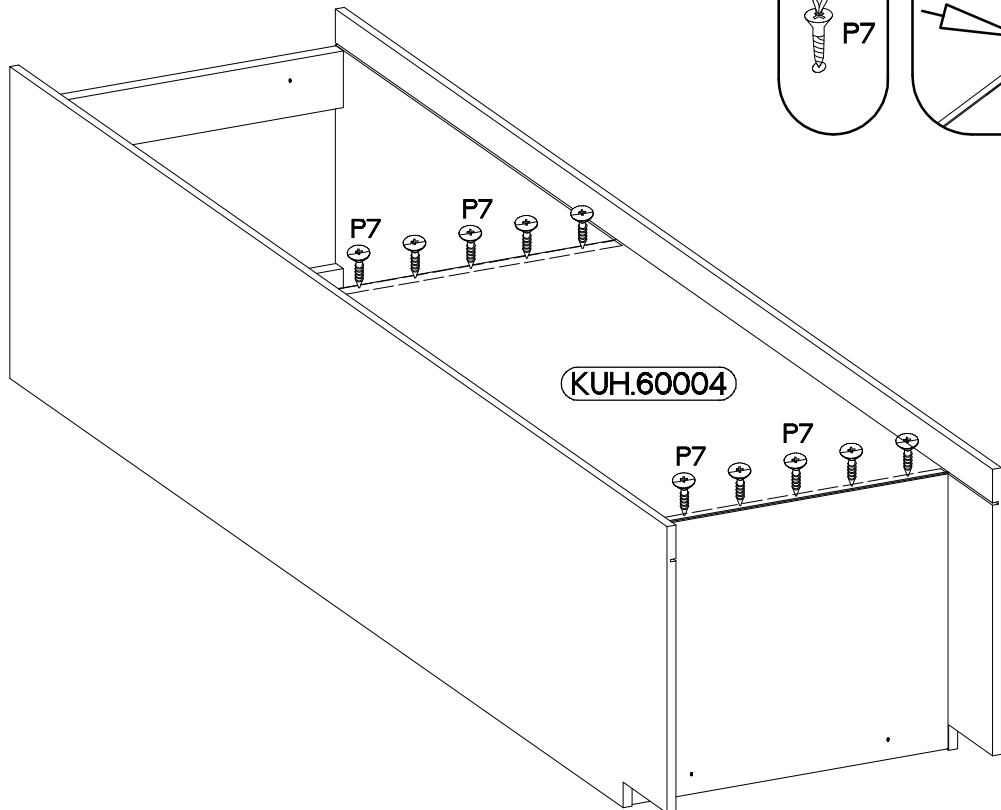
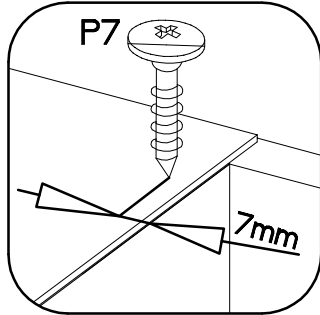
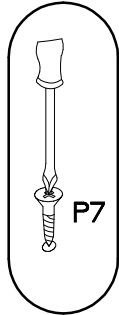


4



5

±3.0x20mm  
  
 P7  
 8-10



6

±4.0x45mm



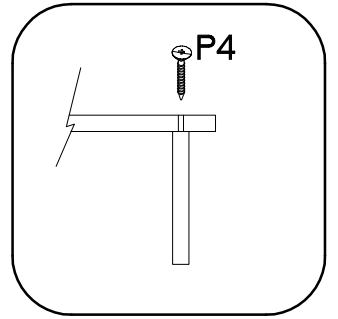
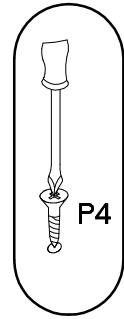
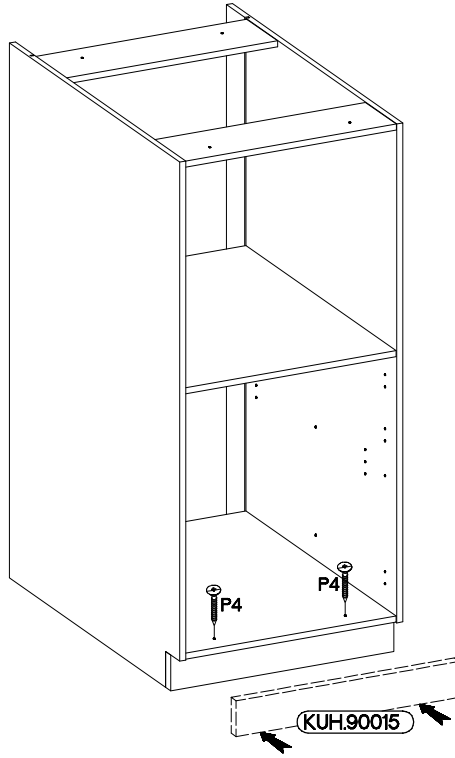
P4

2



E9

2



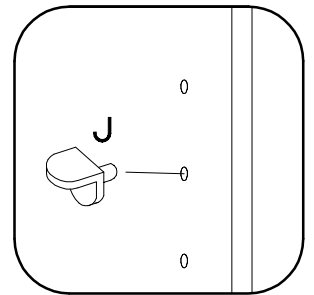
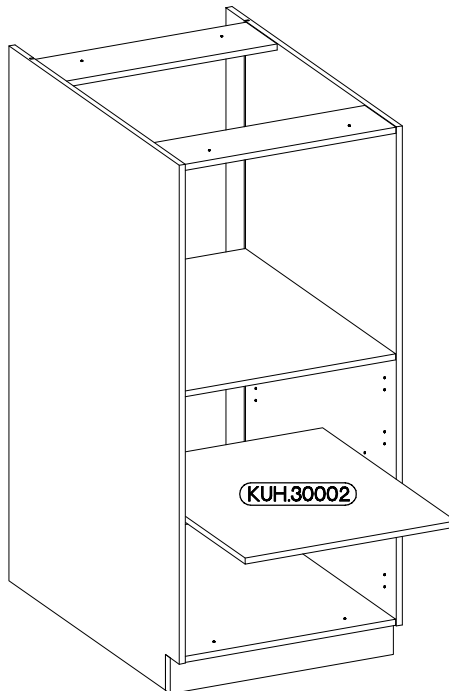
7

±5/19mm

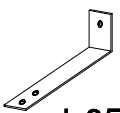



J

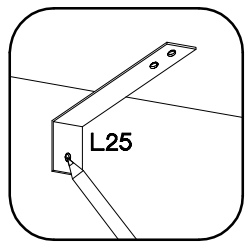
4



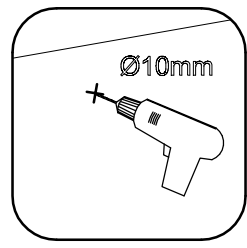
8

	$\pm 3.5 \times 13 \text{mm}$ 
L25	P5
1	2

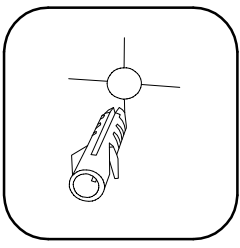
1.



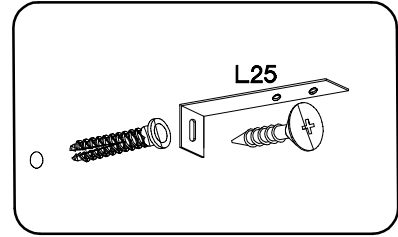
2.



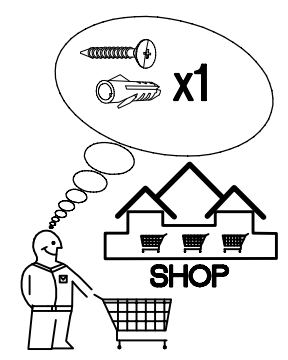
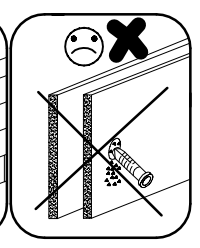
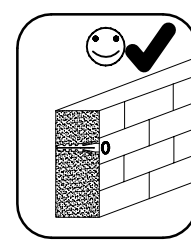
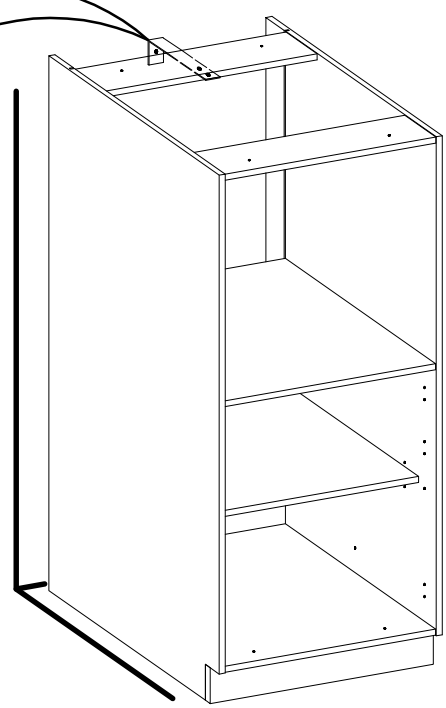
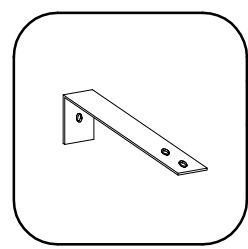
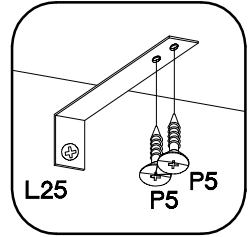
3.




4.

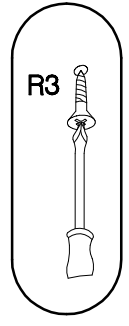
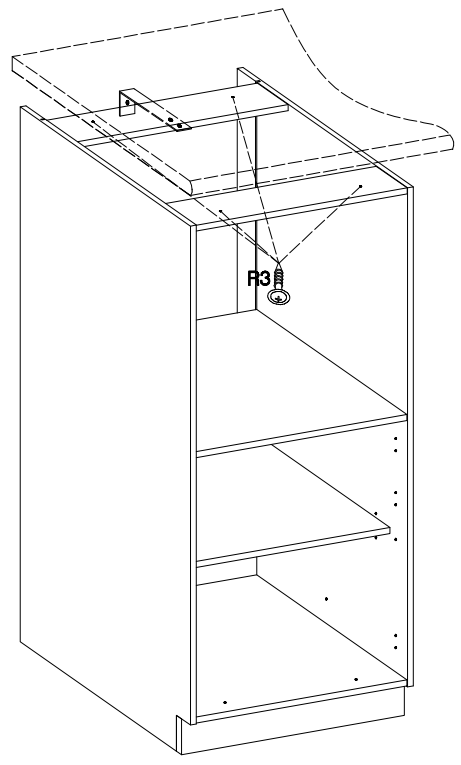


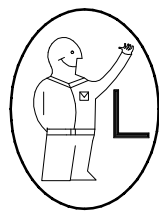
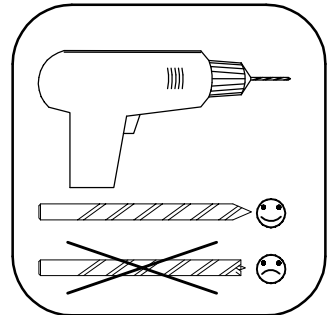
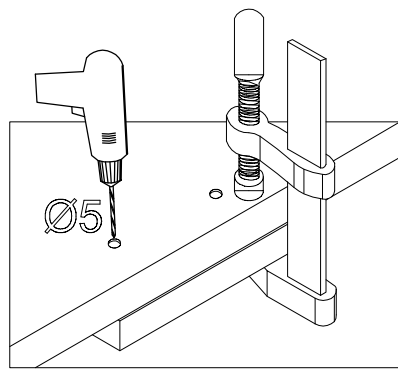
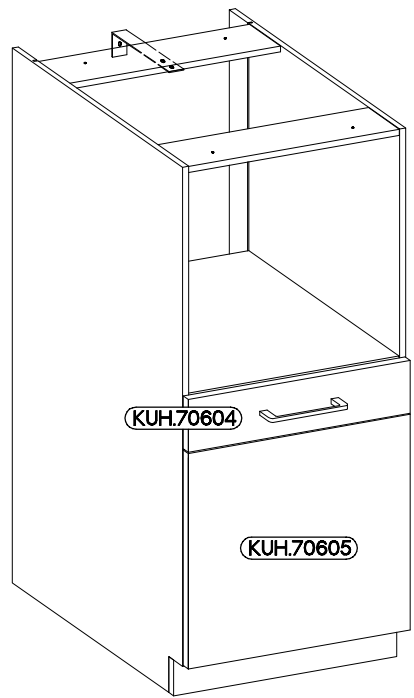
5.



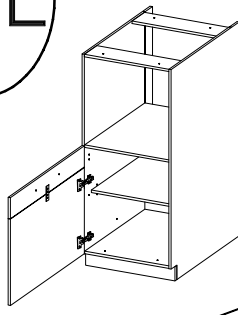
9

$\pm 4.0 \times 35 \text{mm}$ 
R3
4

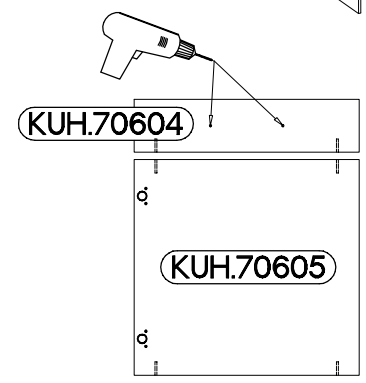
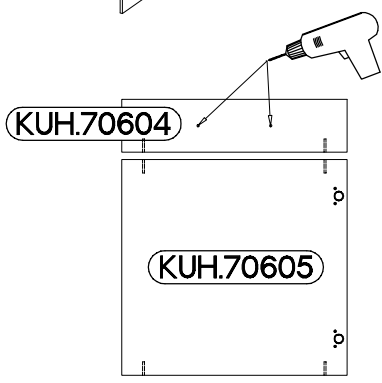
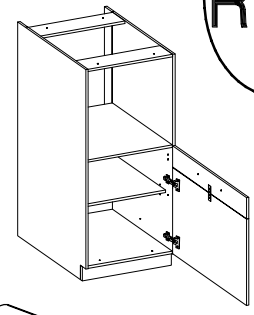
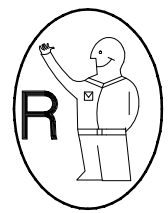




LEFT

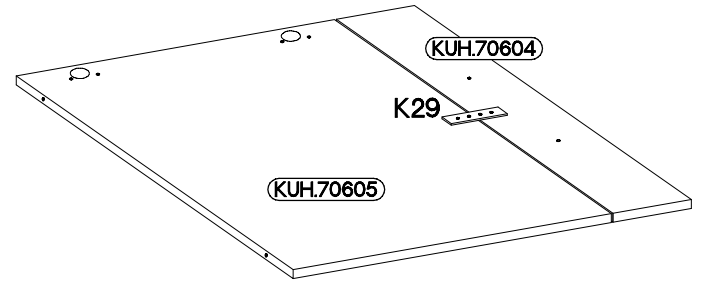
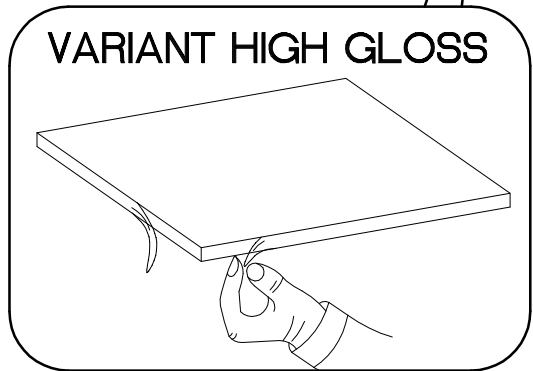
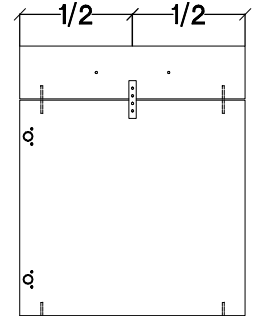
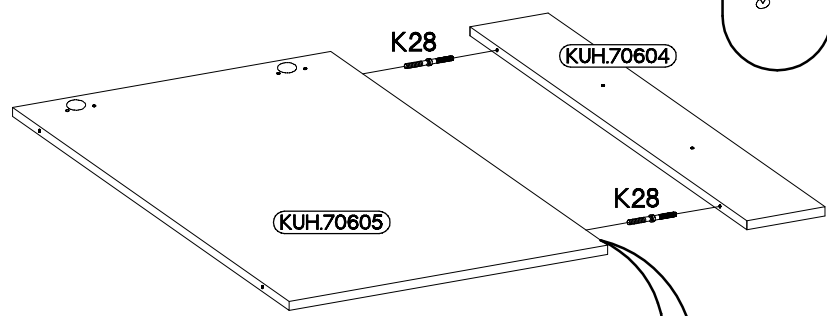
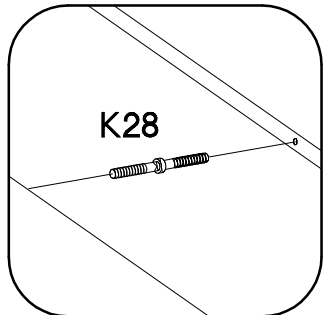
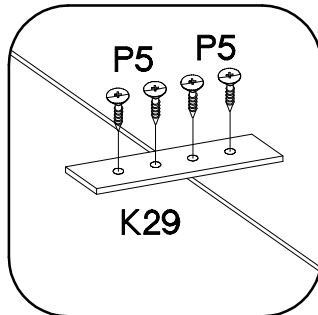
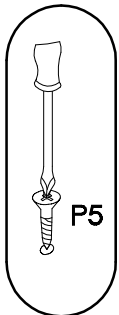


RIGHT

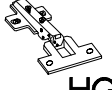



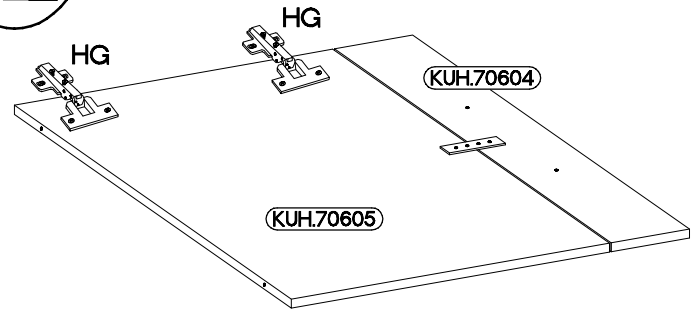
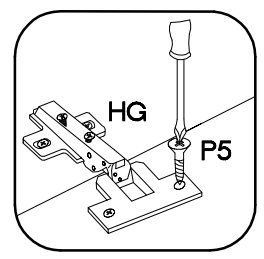
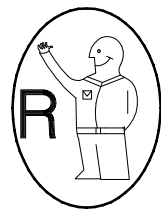
K28	K29	P5
2	1	4

Ø3.5x13mm





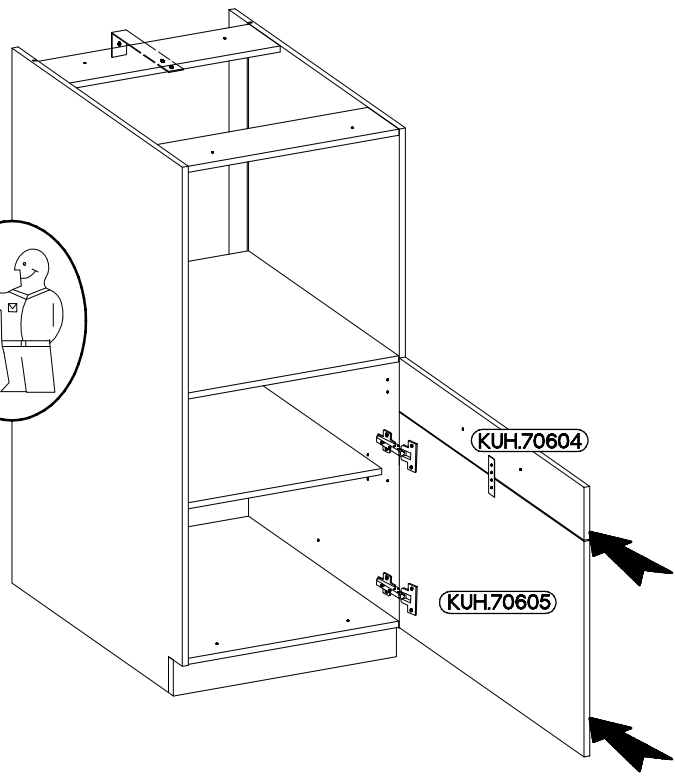
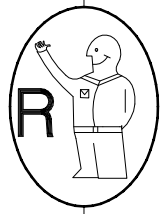
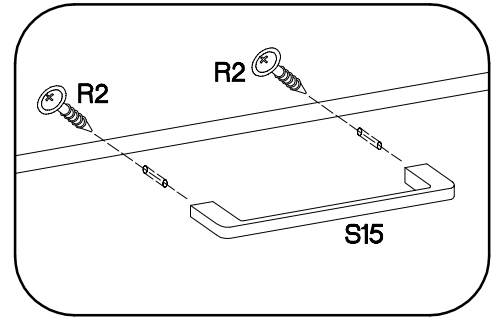
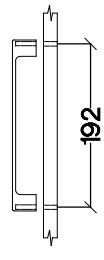
12

$\pm 35/0\text{mm}$  HG 2	$\pm 3.5 \times 13\text{mm}$  P5 4
--	---



13

$\pm 4.0 \times 30\text{mm}$  R2 2	 S15 1
--	---



VARIANT HIGH GLOSS

