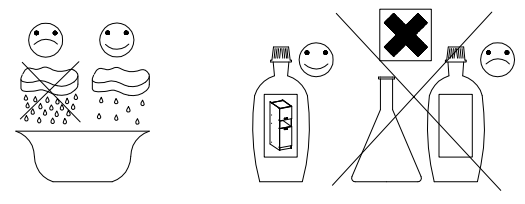
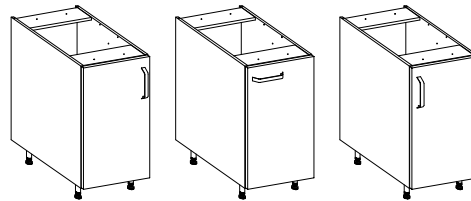
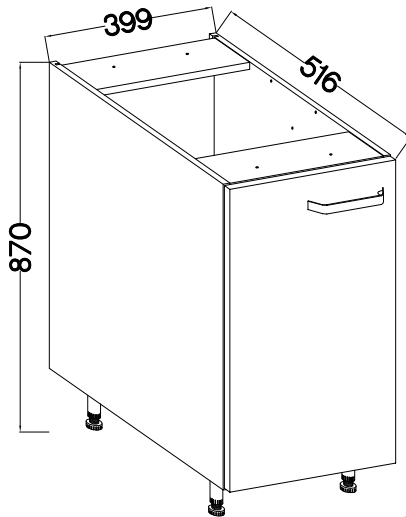


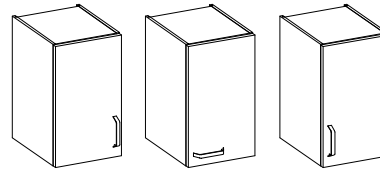
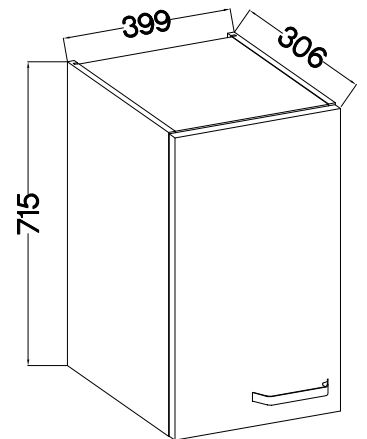
713x396  
FRONT



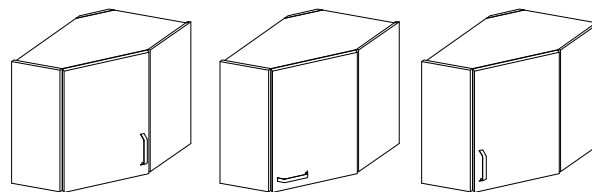
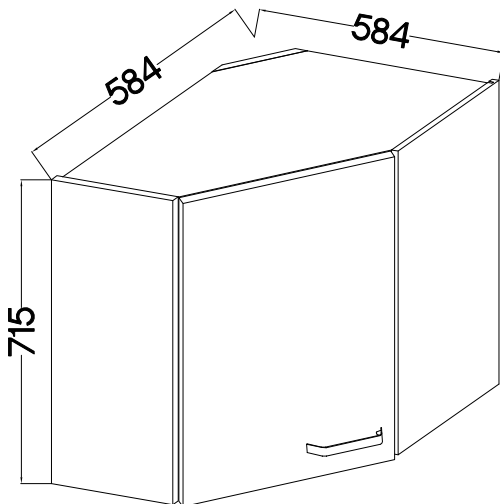
40 D 1F BB



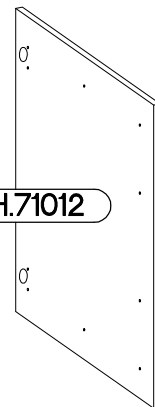
40 G-72 1F



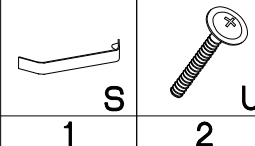
58x58 GN-72 1F



KUH.71012



L=160mm M4x22mm

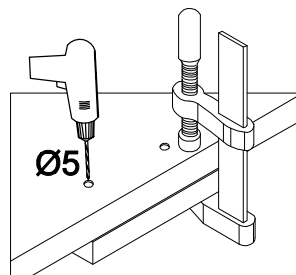
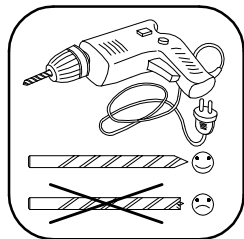
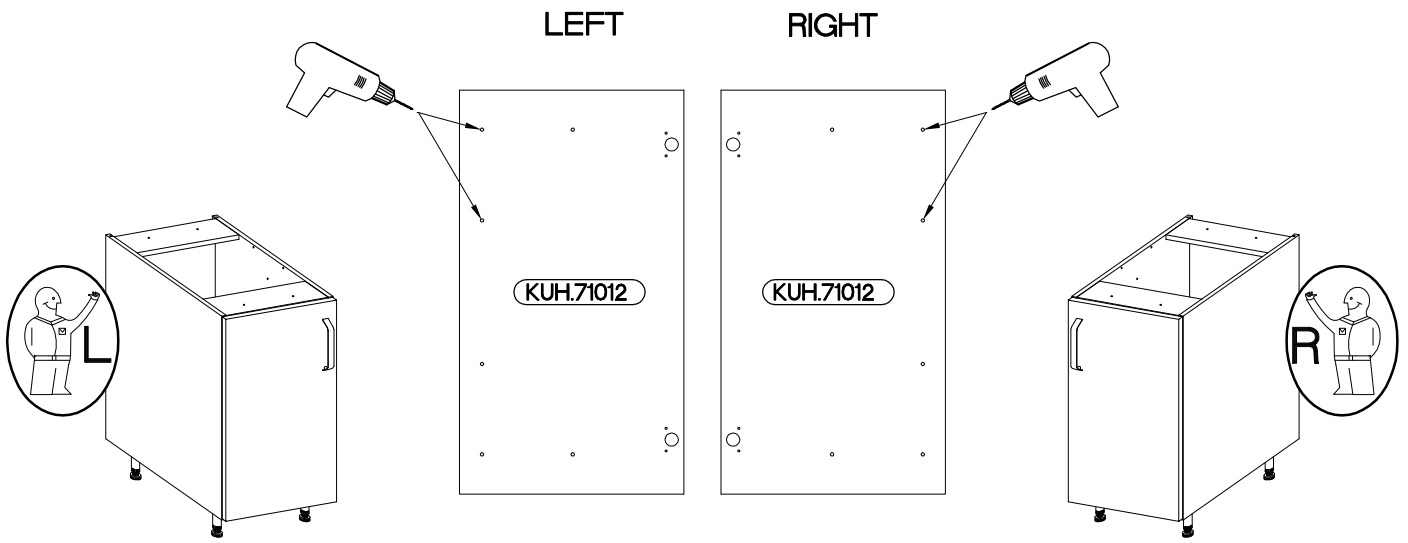
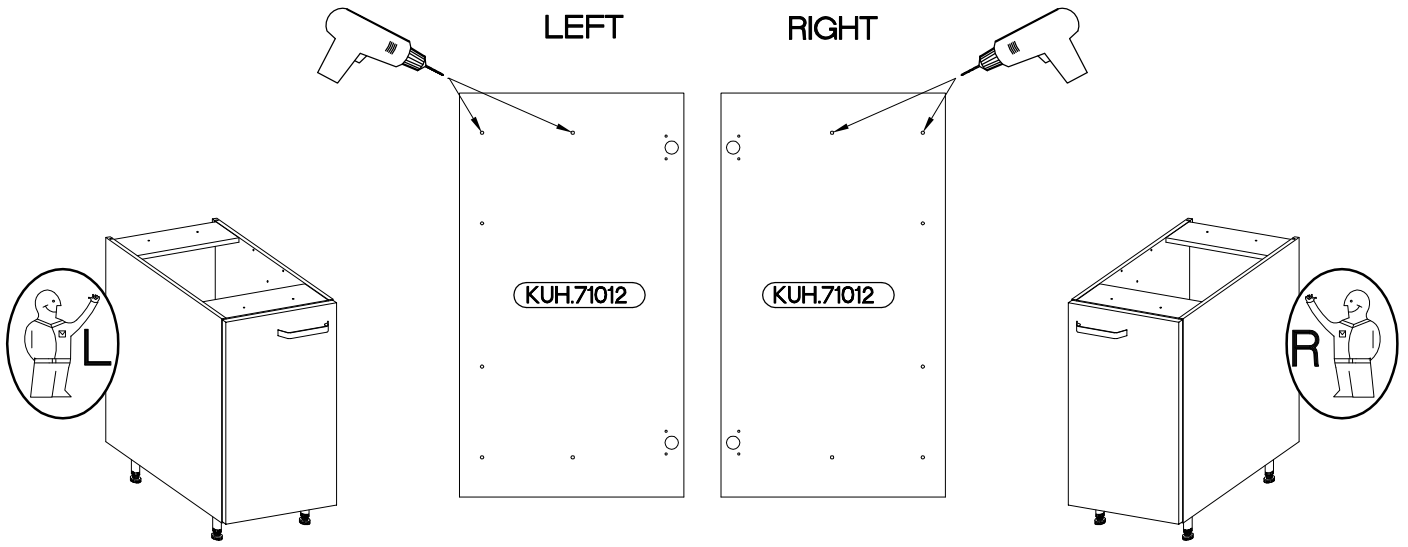


Ersatzteil Nummer	Dimension
KUH.71012	713x396x16

ISM-KUH-01849

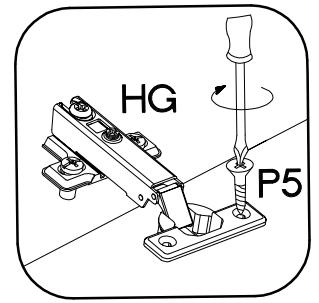
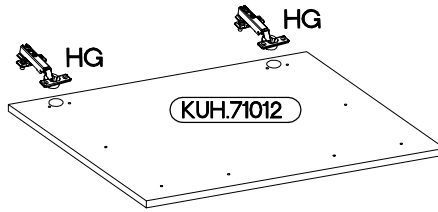
1

40 D 1F BB



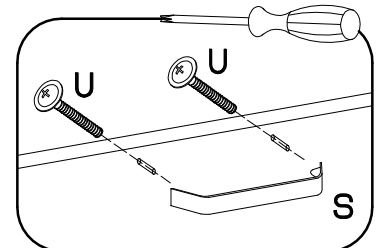
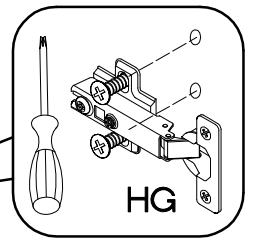
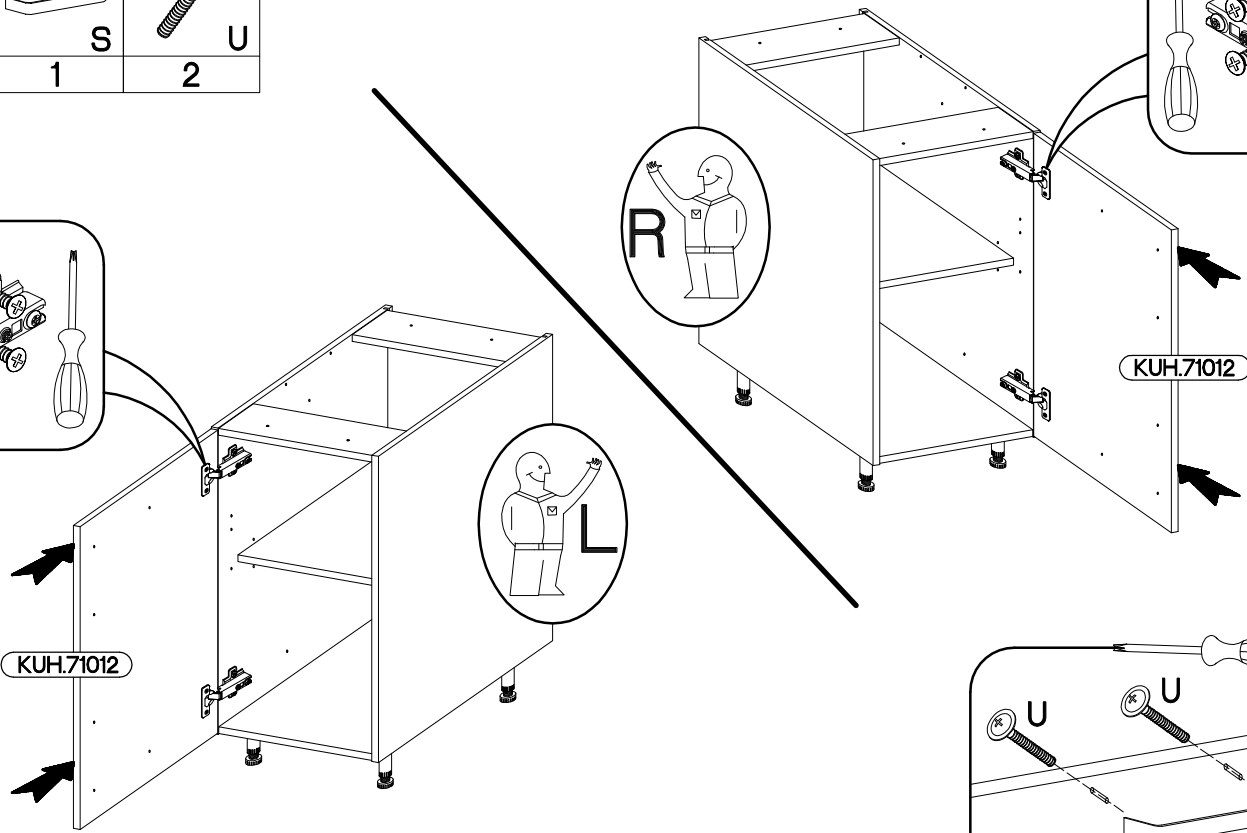
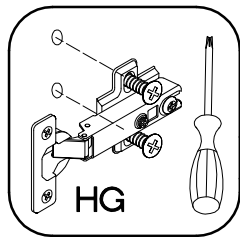
2

±35/0mm [CD] HG 2	±3.5x13mm P5 4
----------------------------	----------------------



3

L=160mm S 1	M4x22mm U 2
-------------------	-------------------



### VARIANT HIGH GLOSS

