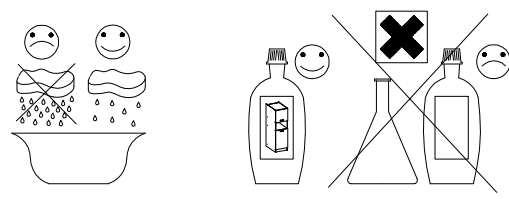
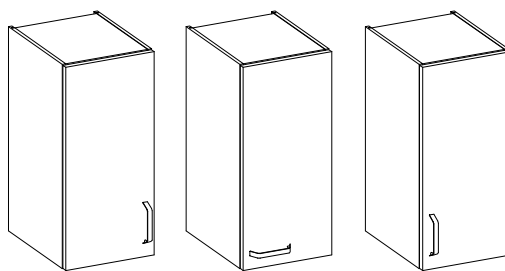
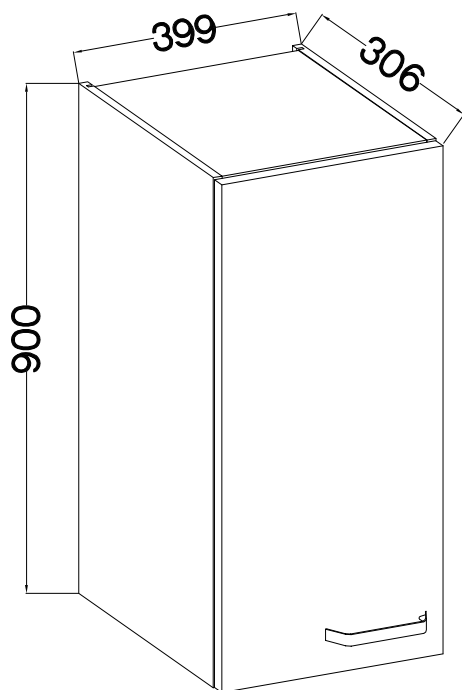


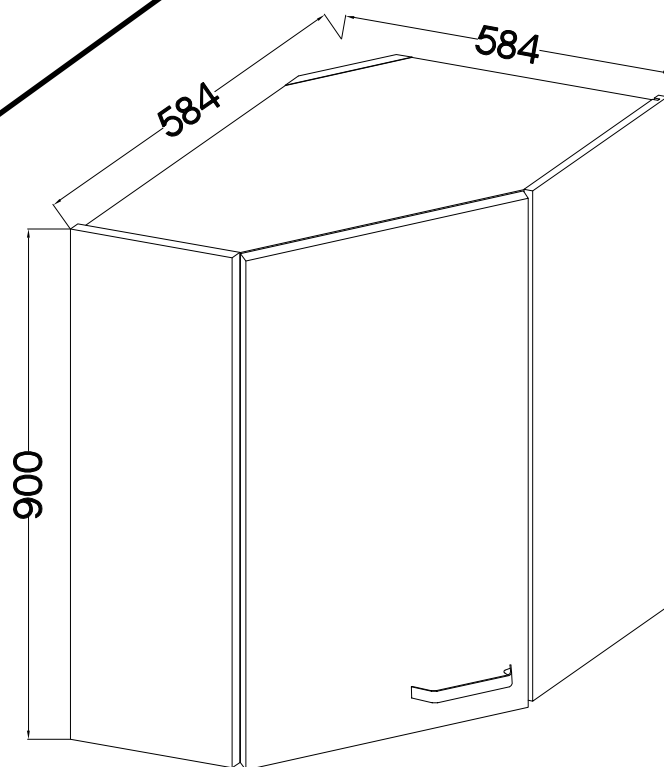
896x396
FRONT



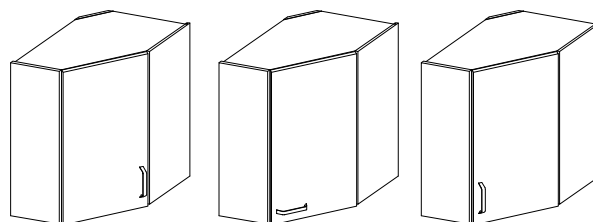
40 G-90 1F

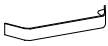



58x58 GN-90 1F



KUH.71013



L=160mm	M4x22mm
	
S	U
1	2

Ersatzteil Nummer	Dimension
KUH.71013	896x396x16

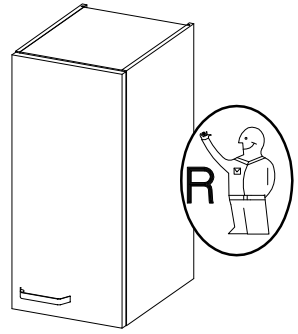
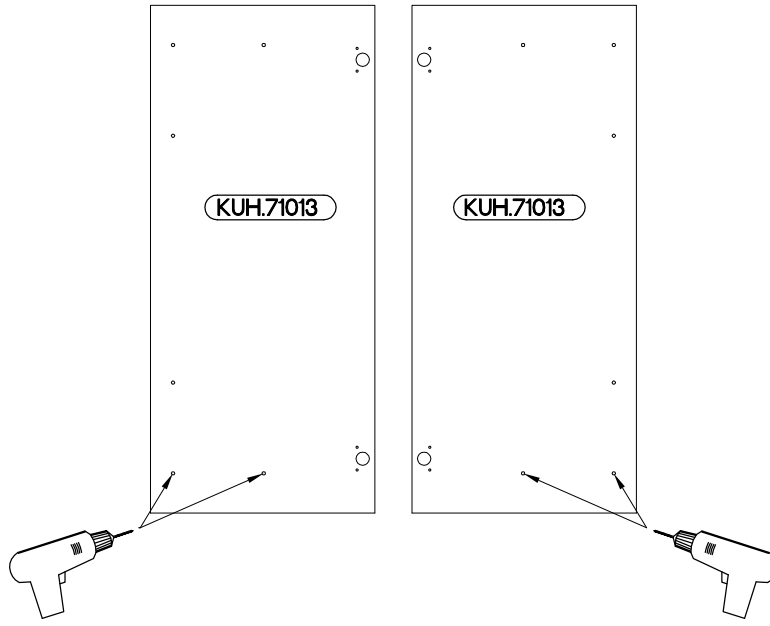
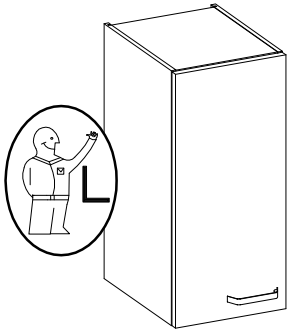
ISM-KUH-01841

1

40 G-90 1F

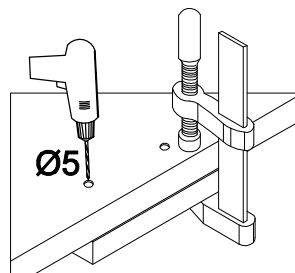
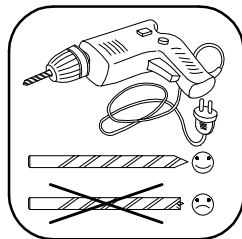
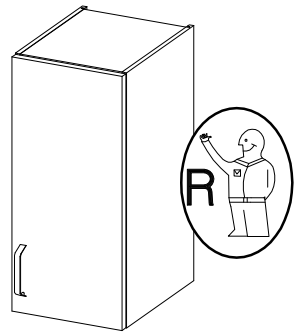
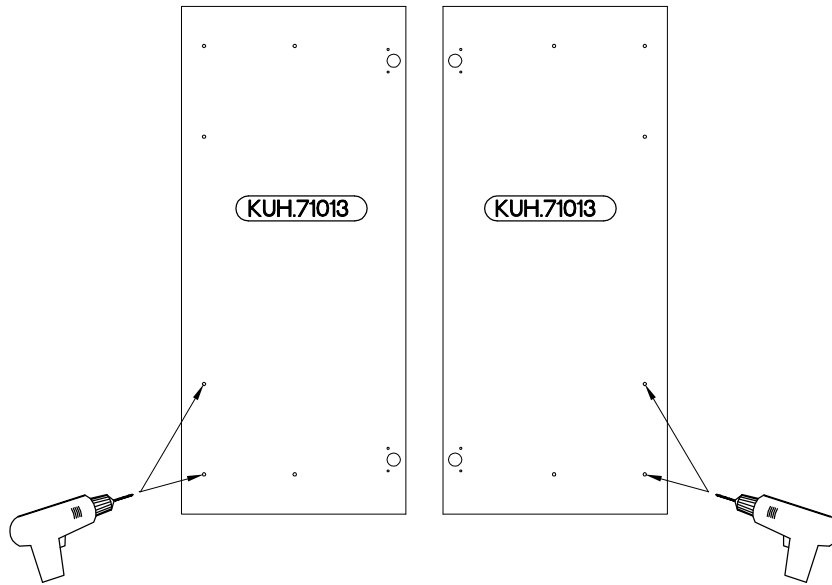
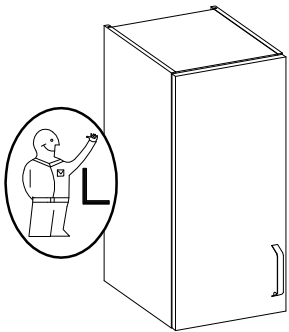
LEFT

RIGHT



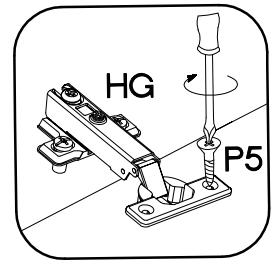
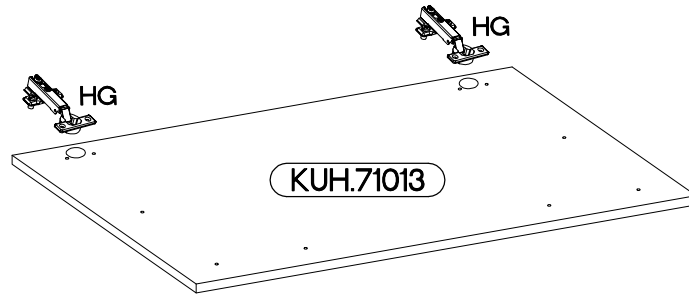
LEFT

RIGHT



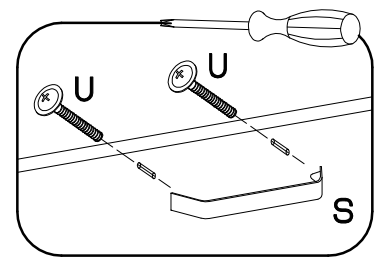
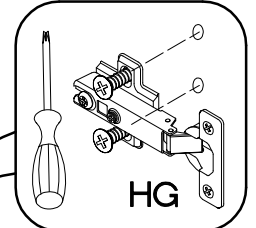
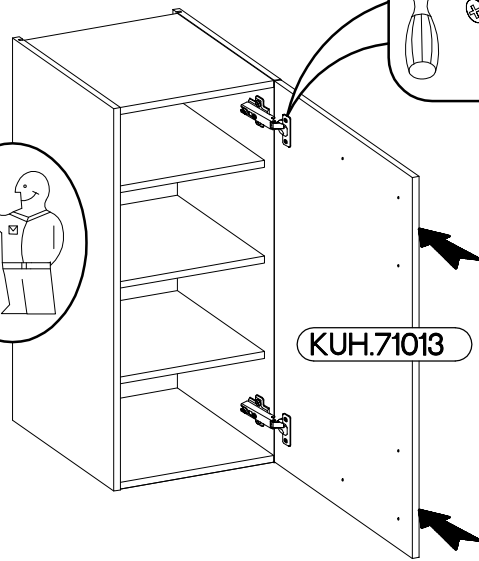
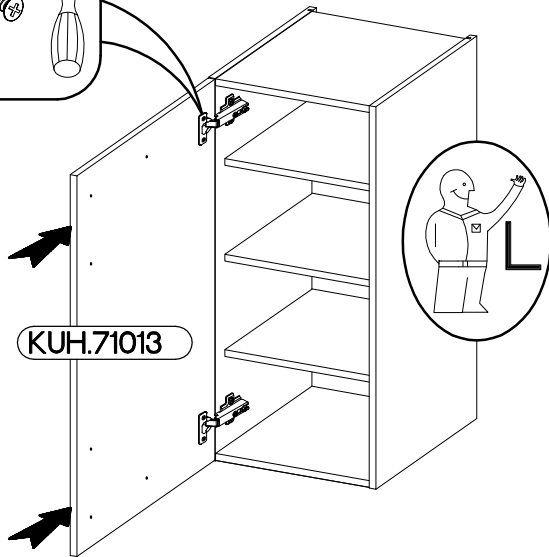
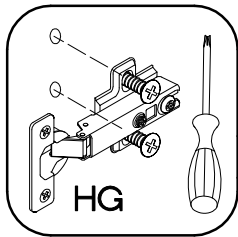
2

±35/0mm [CD] HG 2	±3.5x13mm P5 4
-------------------------	----------------------

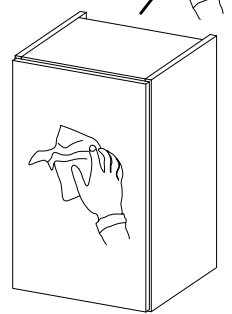
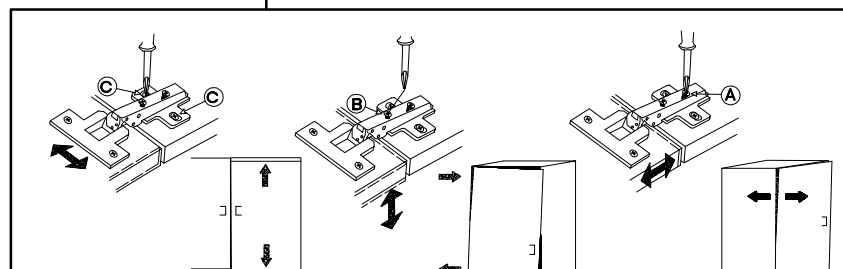
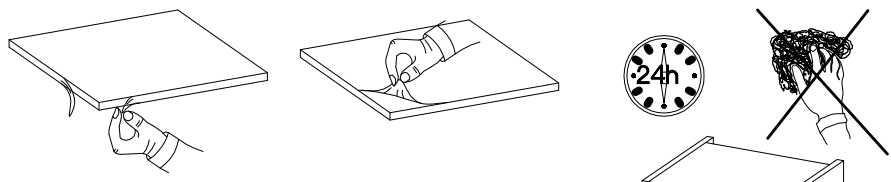


3

L=160mm S 1	M4x22mm U 2
-------------------	-------------------

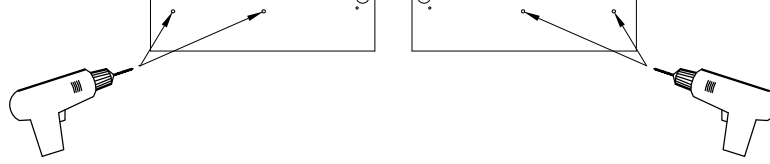
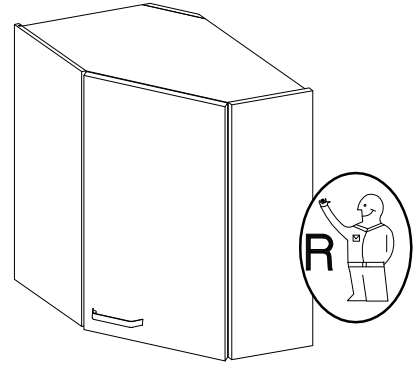
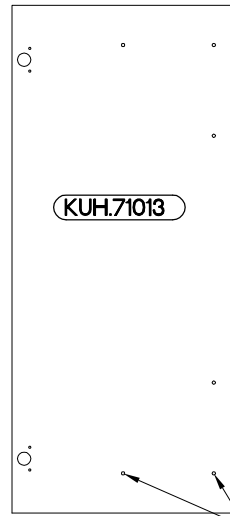
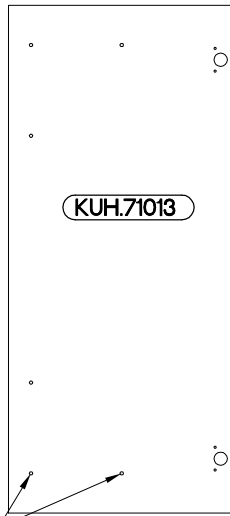
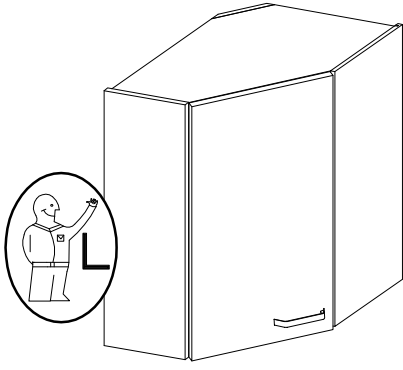


VARIANT HIGH GLOSS



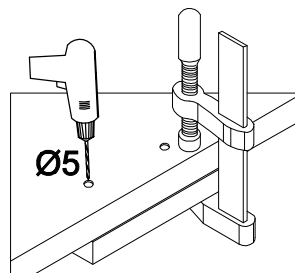
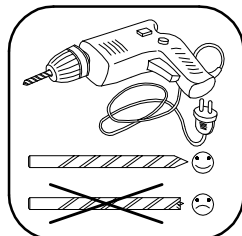
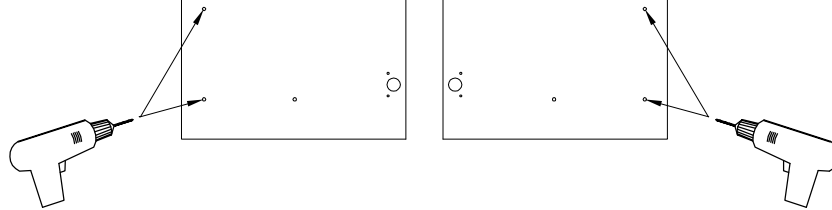
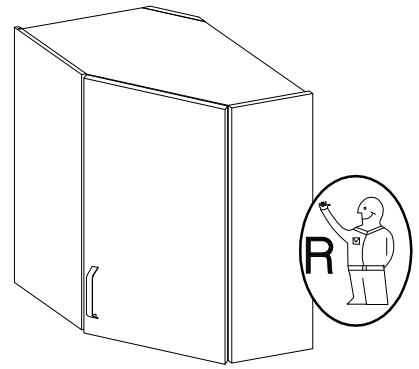
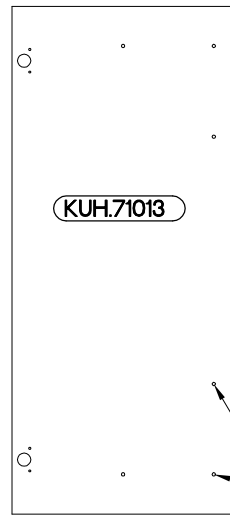
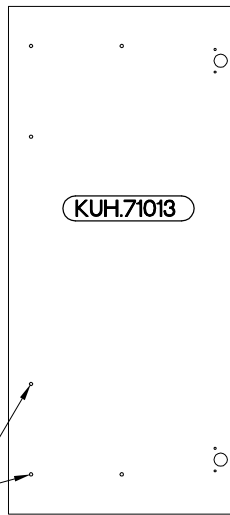
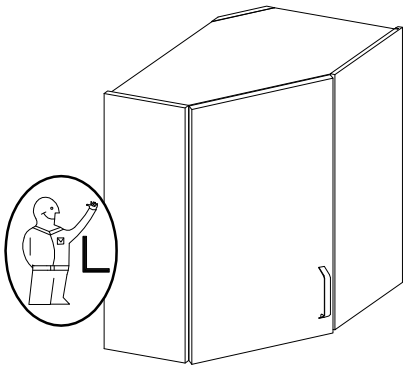
LEFT

RIGHT





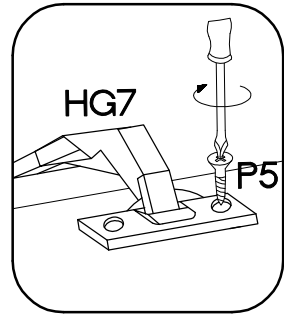
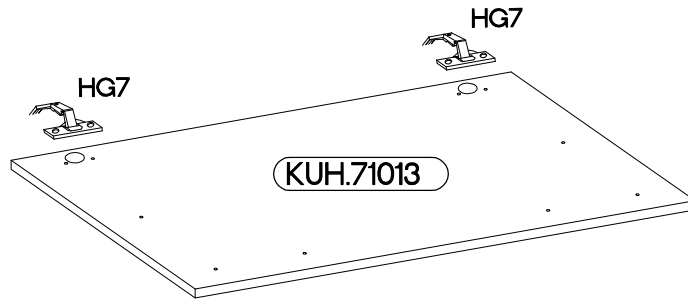
LEFT

RIGHT





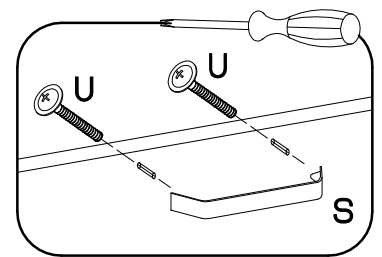
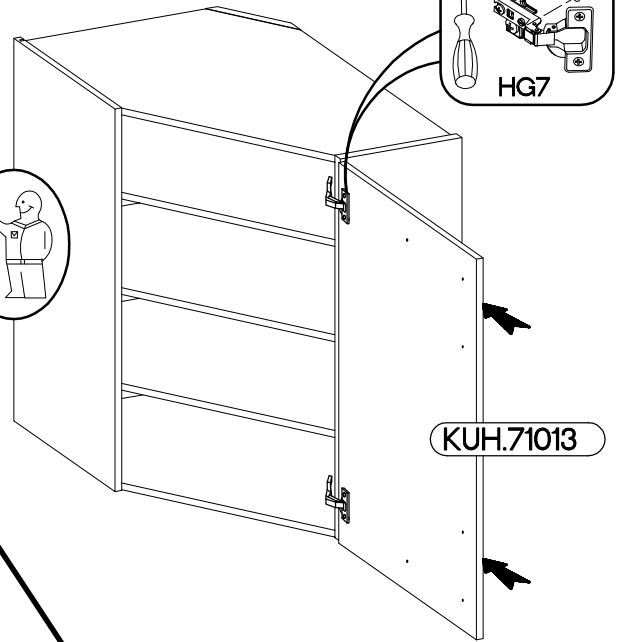
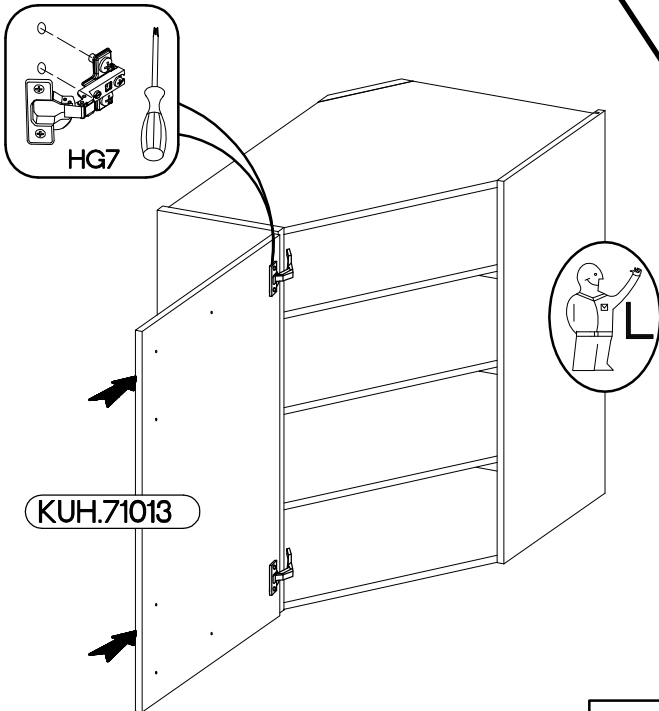
5

	$\pm 35/45^\circ$ H=0		$\pm 3.5 \times 13 \text{mm}$
(CD) HG7		P5	
2		4	



6

	
L=160mm	M4x22mm
S	U
1	2



VARIANT HIGH GLOSS

