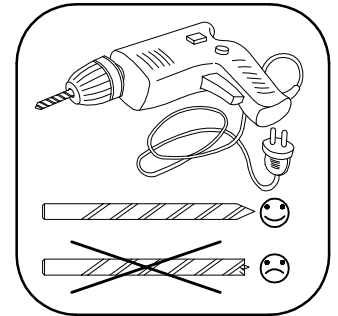
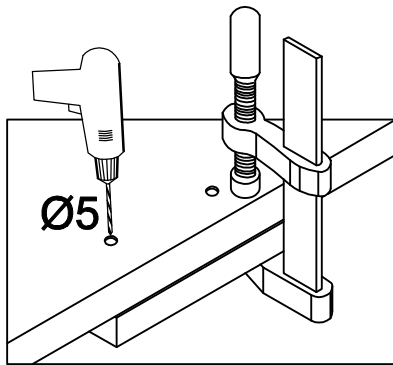
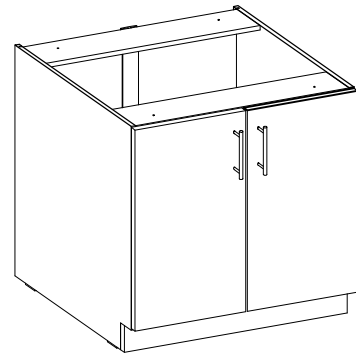
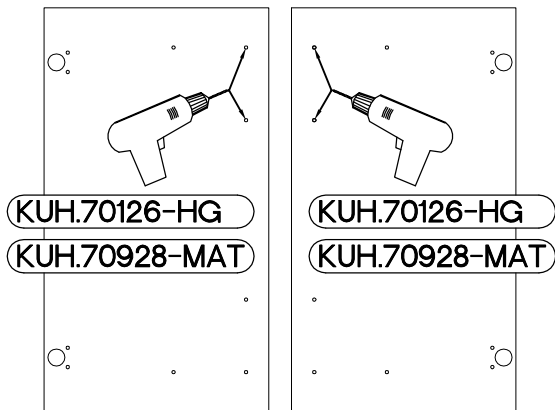
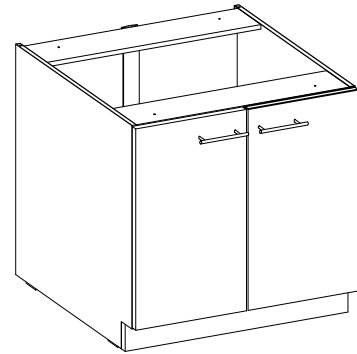
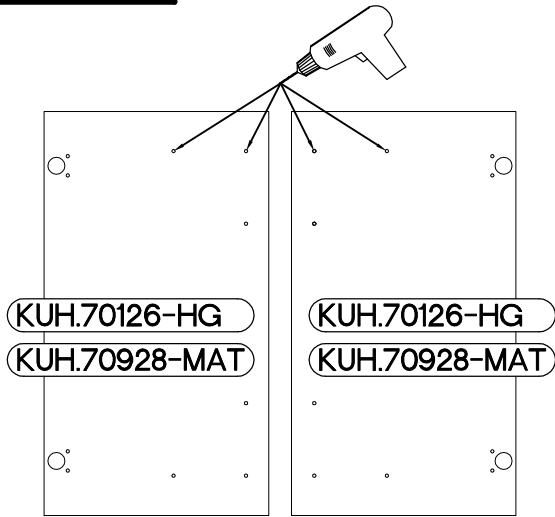


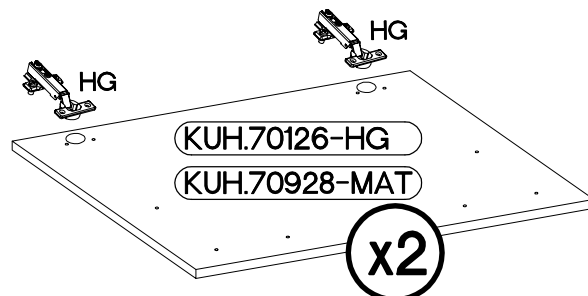
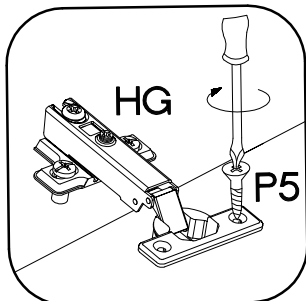


# 1 80 D 2F BB



# 2

±35/0mm [CD] HG 4	±3.5x13mm P5 8
-------------------------	----------------------



3

M4x22mm

L=128mm

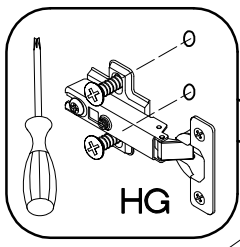


U

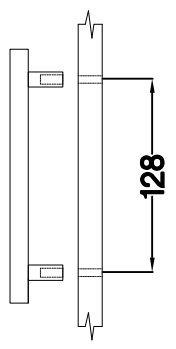
S

4

2



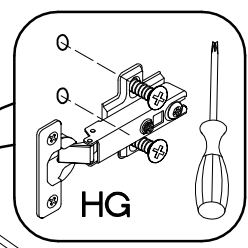
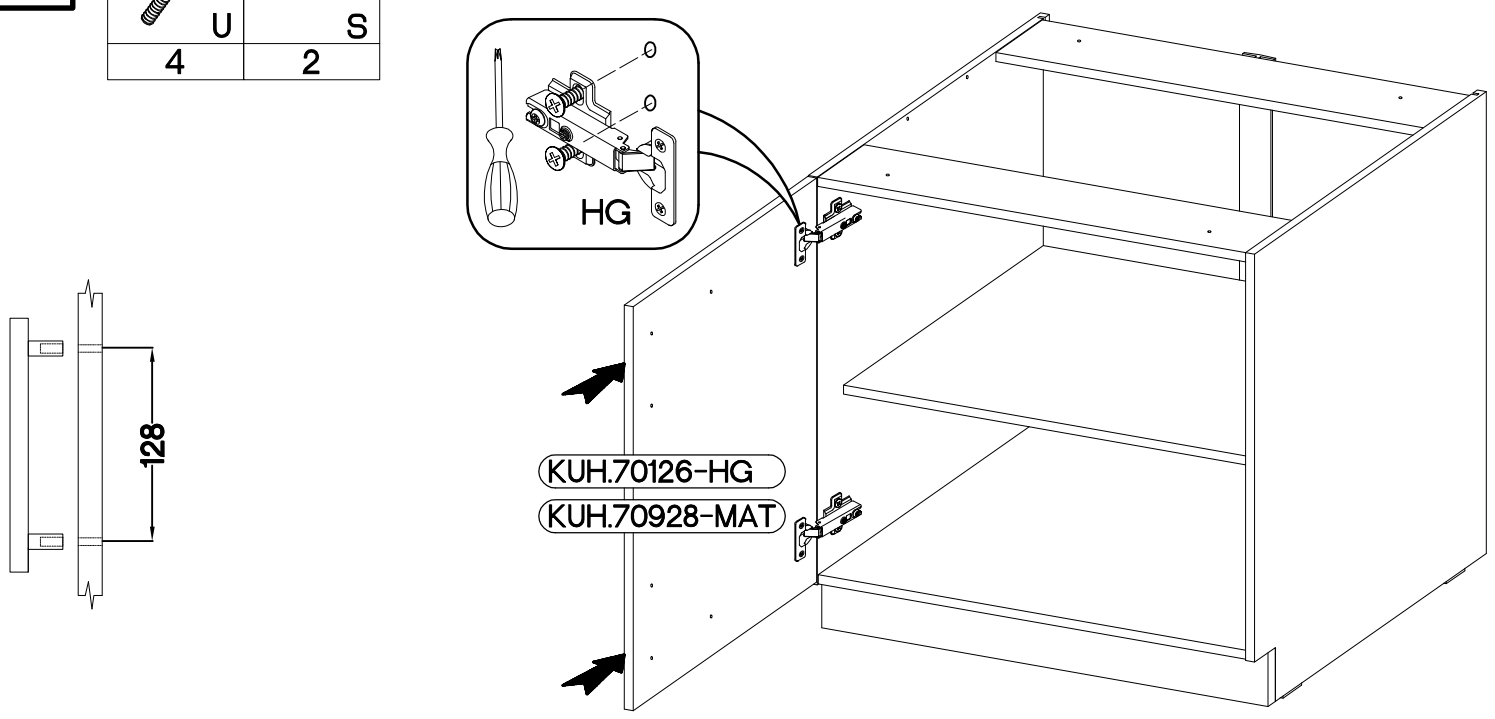
HG



128

KUH.70126-HG

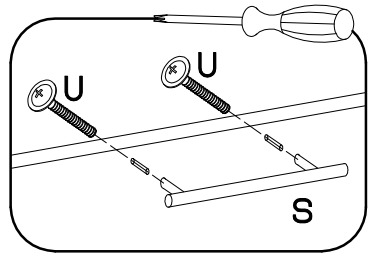
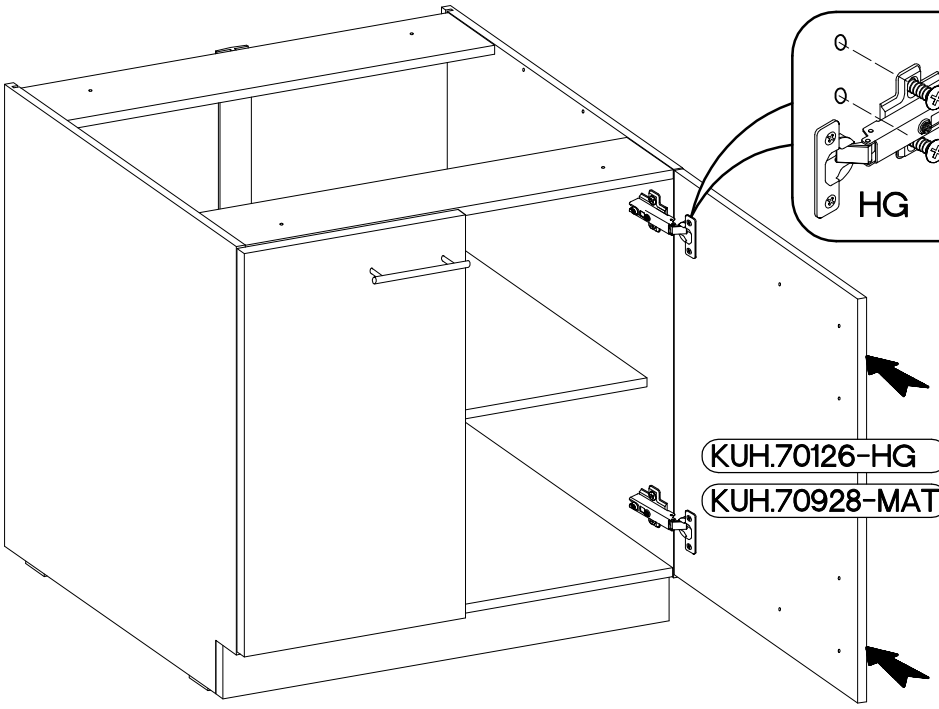
KUH.70928-MAT



HG

KUH.70126-HG

KUH.70928-MAT



U

U

S

### VARIANT HIGH GLOSS

