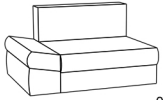
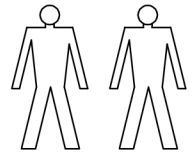
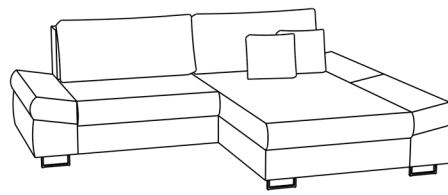
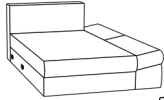


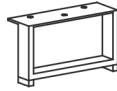
GREY



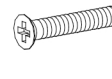
A - 1 St.



B - 1 St.



C - 6 St.



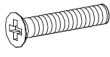
M6 x 40
D - 15 St.



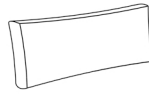
H:87
E - 2 St.



4,2 x 70
F - 4 St.



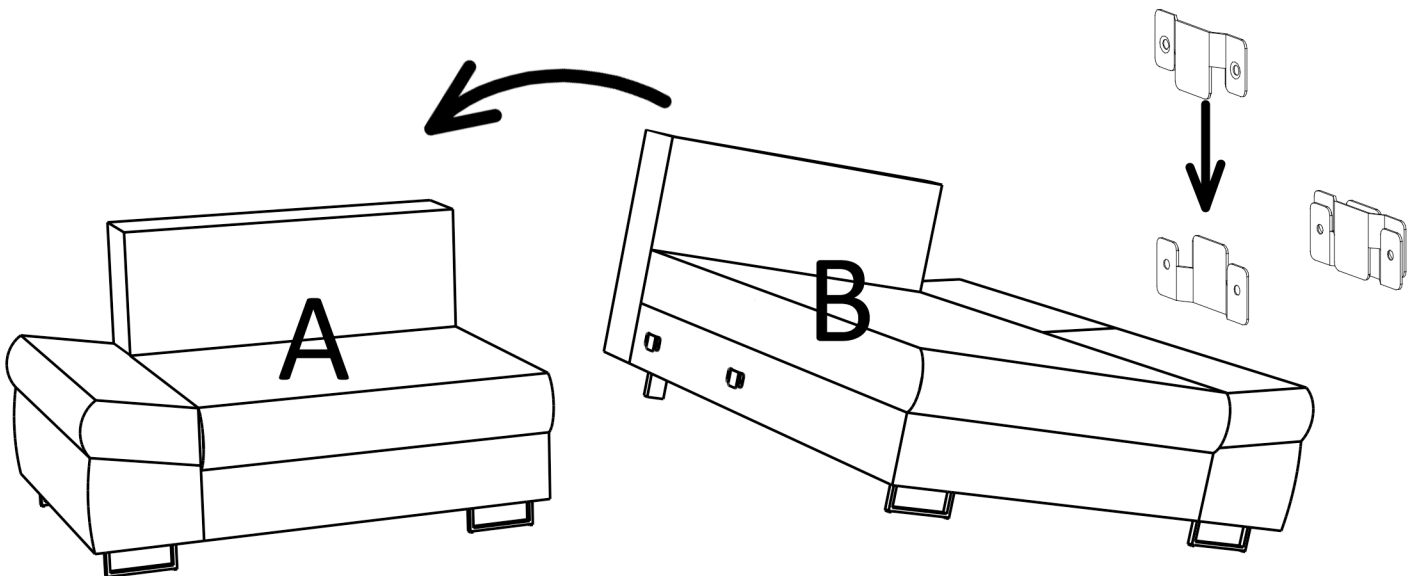
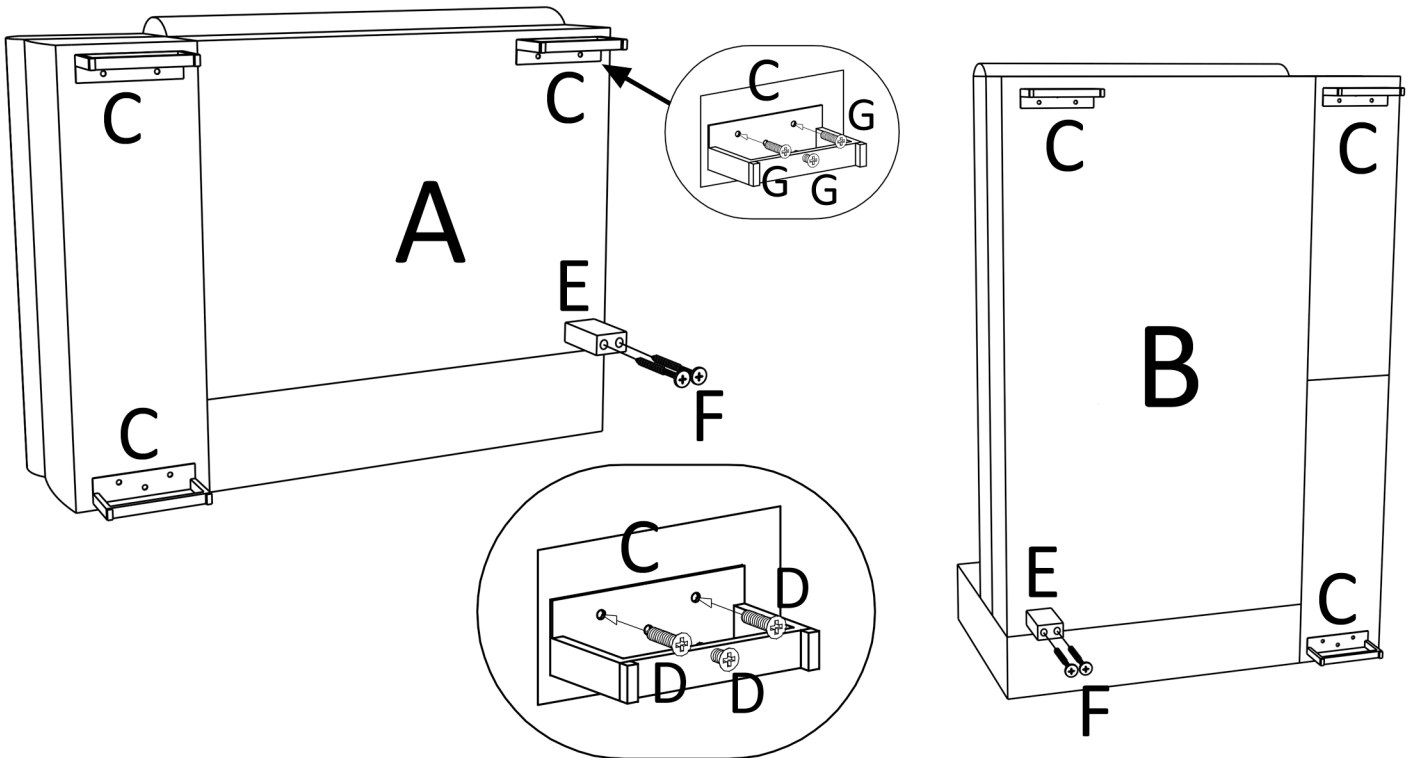
M6 x 25
G - 3 St.

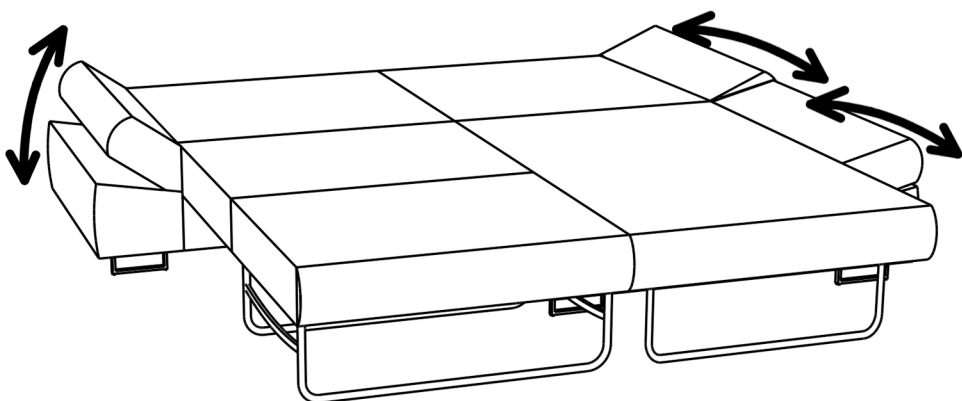
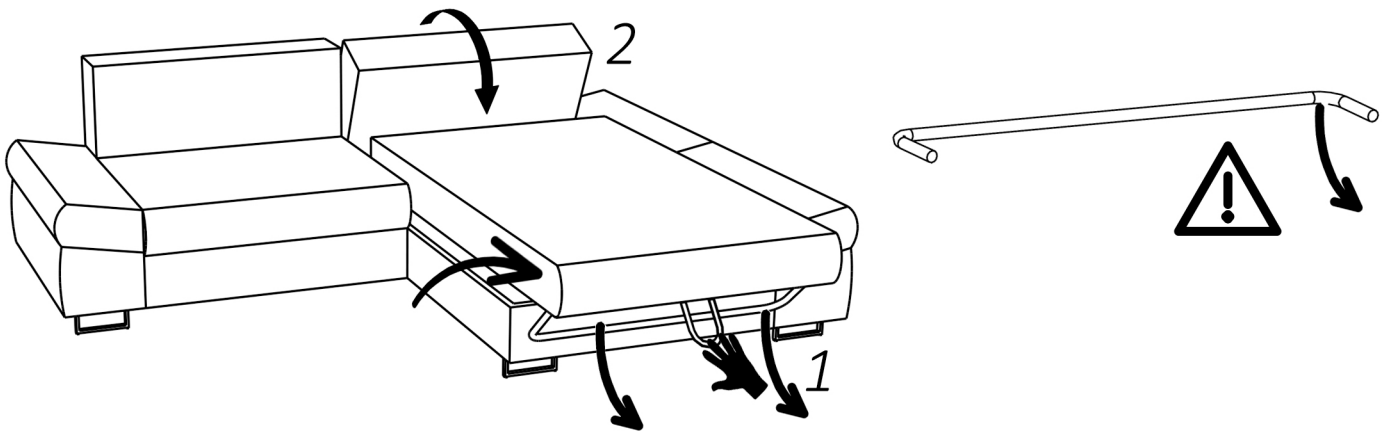
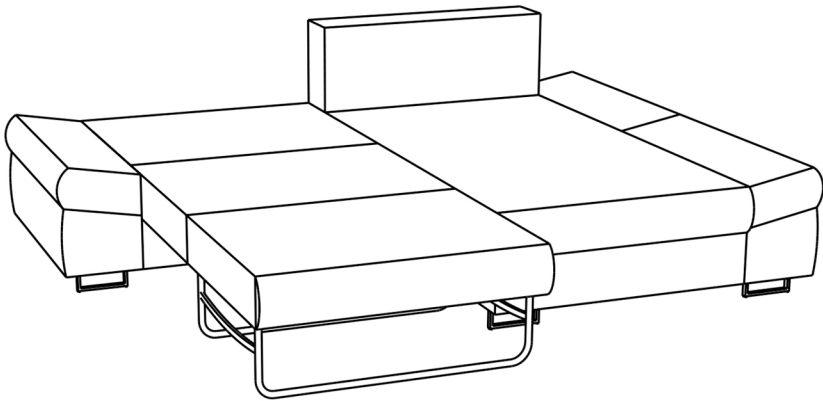
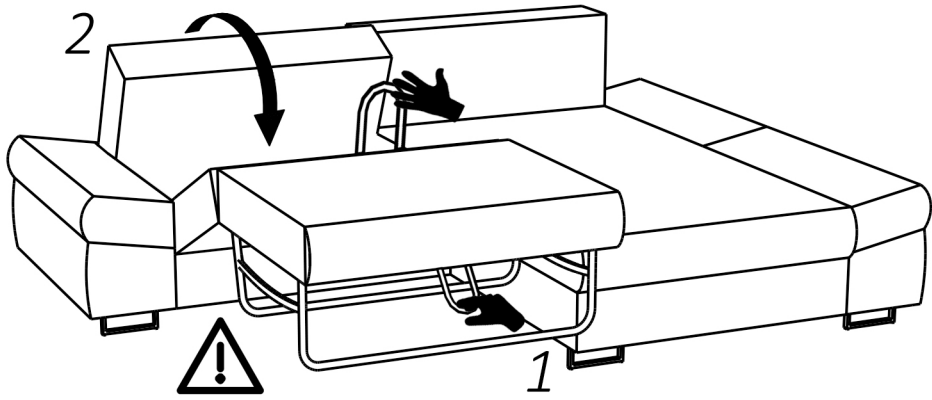
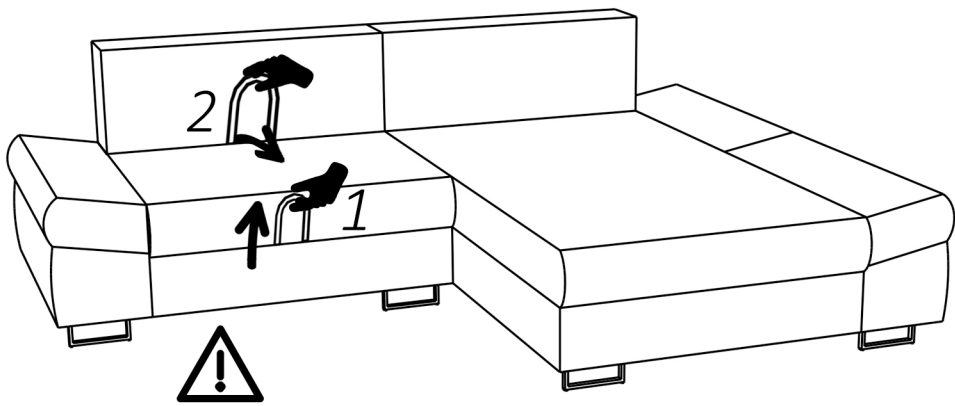


H - 2 St.

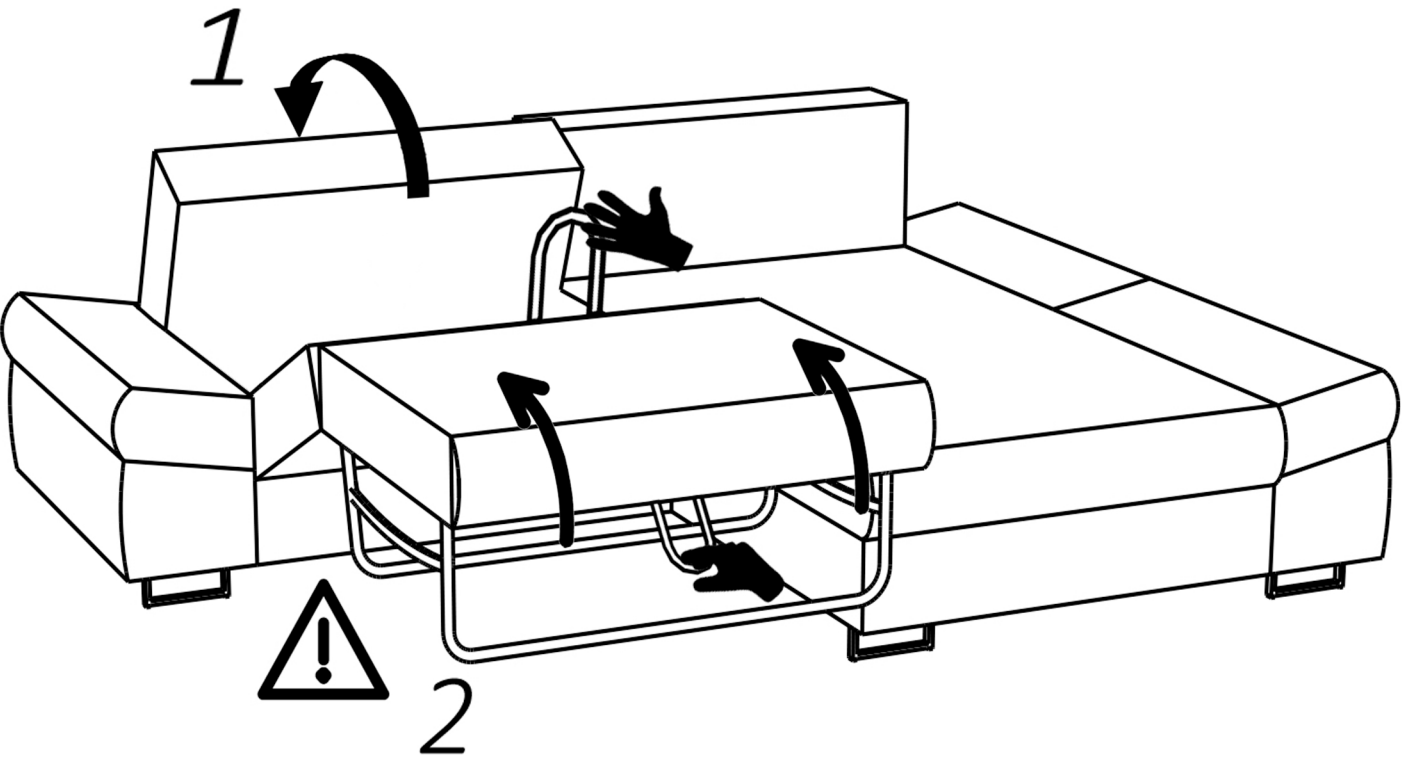


I - 2 St.

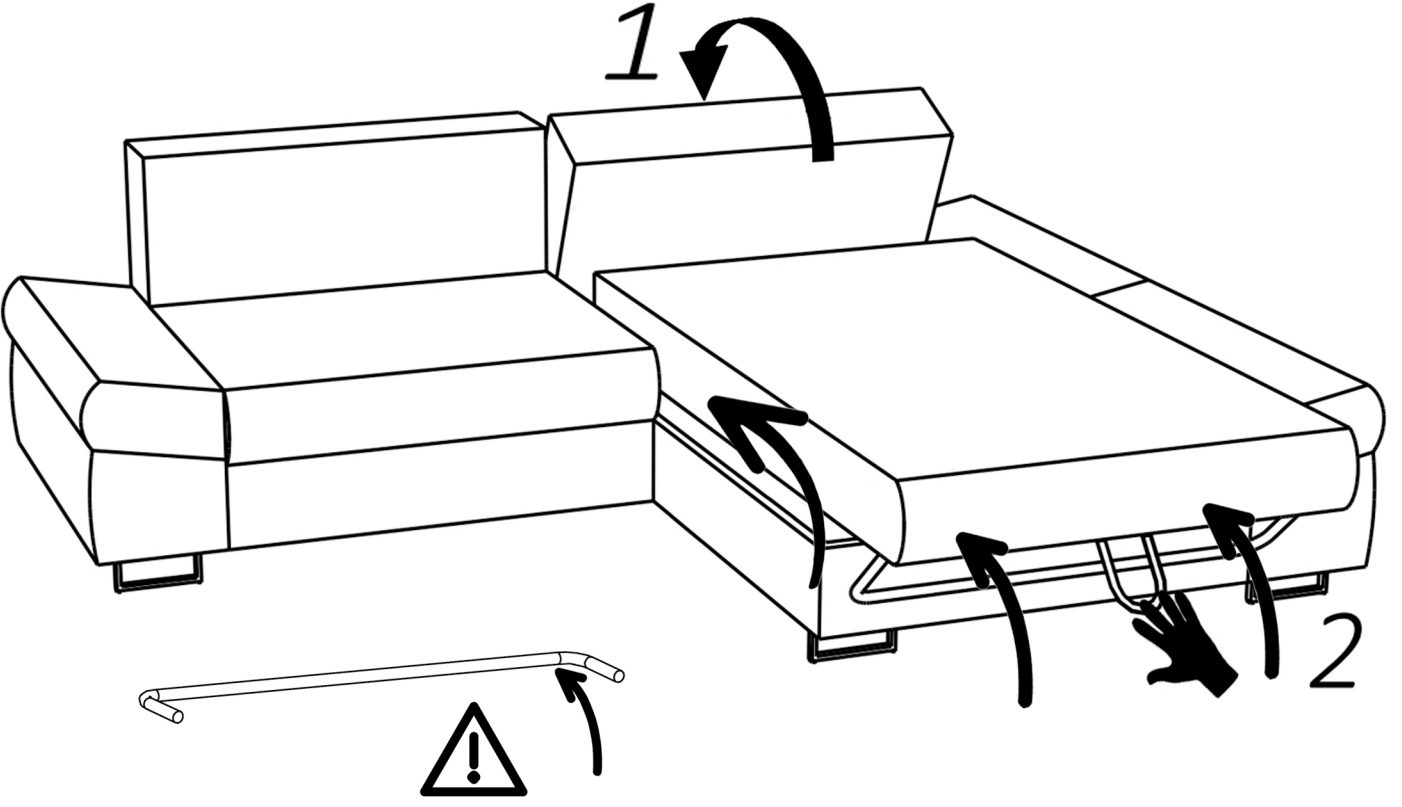




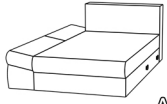
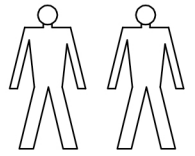
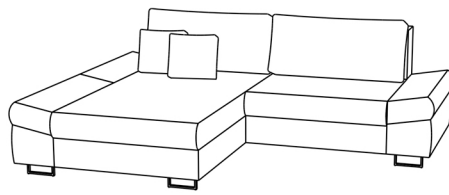
CLOSING



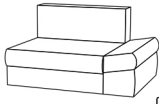
CLOSING



GREY



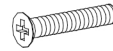
A- 1 St.



B- 1 St.



C- 6 St.



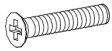
M6 x 40
D- 15 St.



H:87
E- 2 St.



4,2 x 70
F- 4 St.



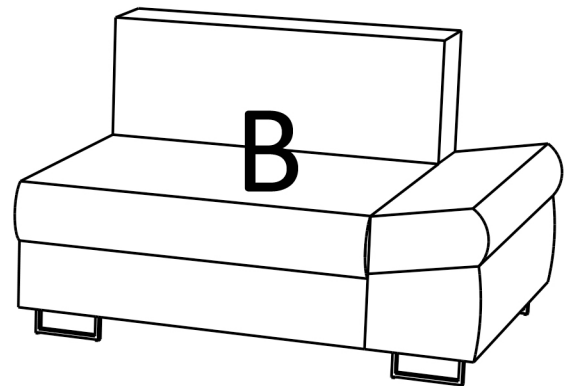
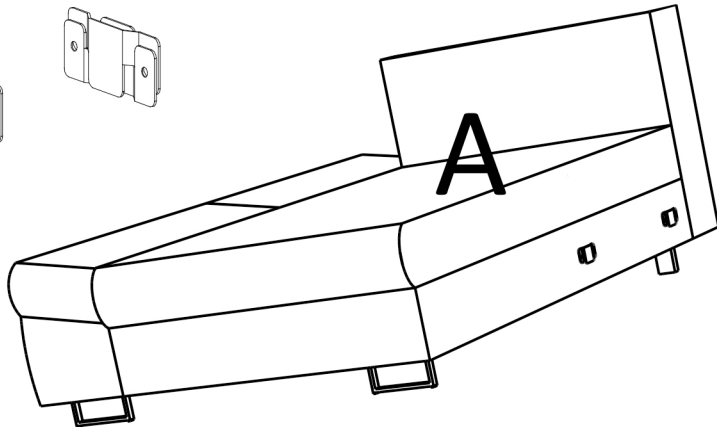
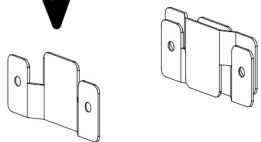
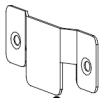
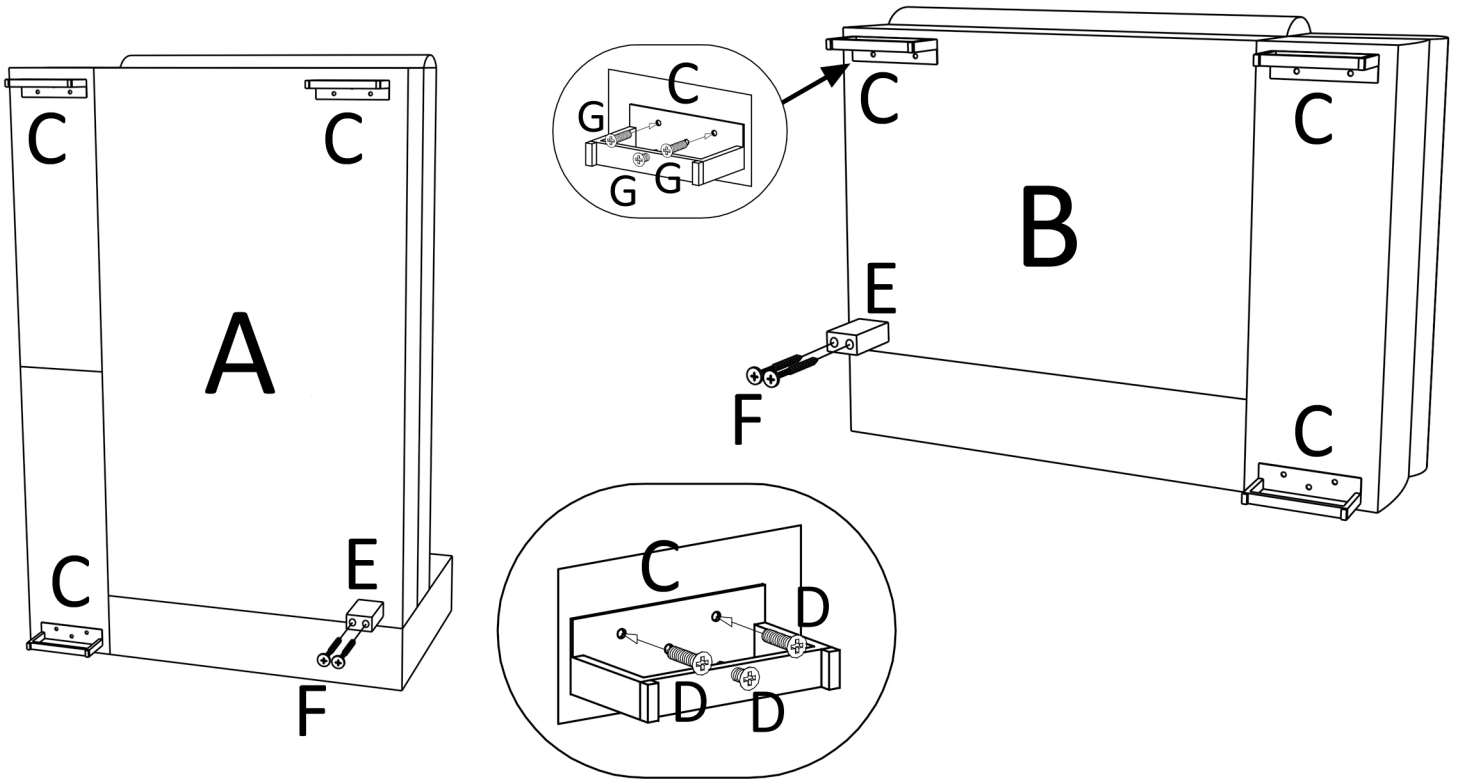
M6 x 25
G- 3 St.

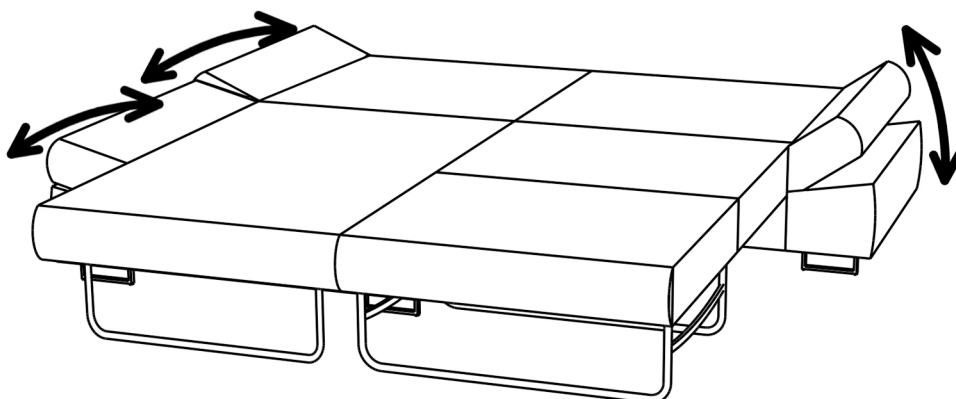
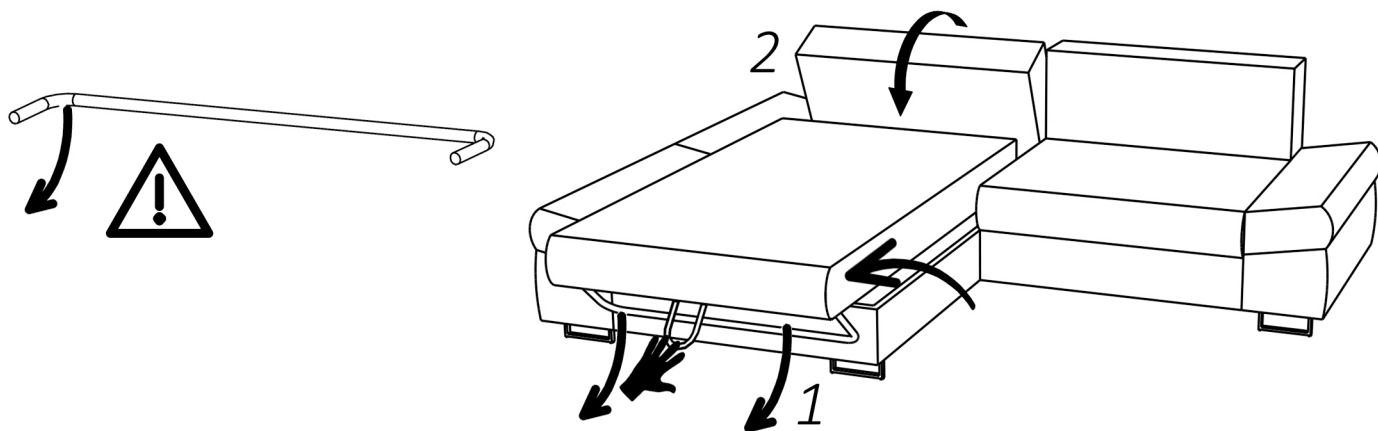
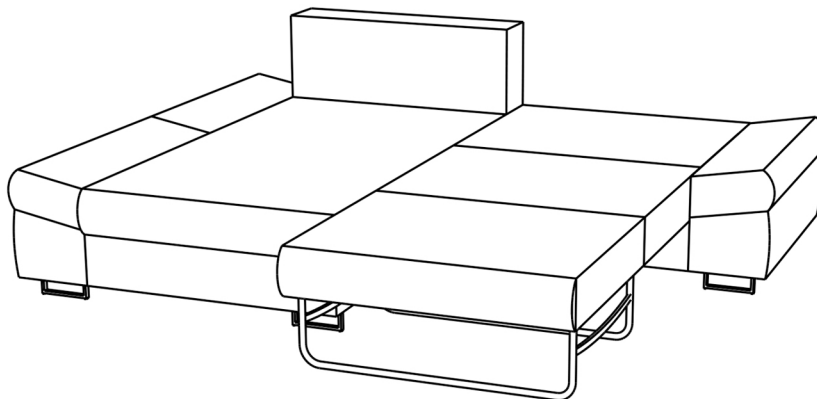
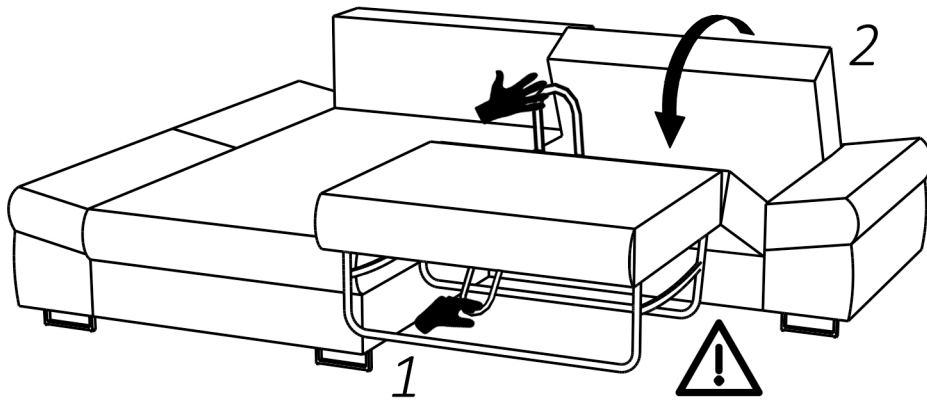
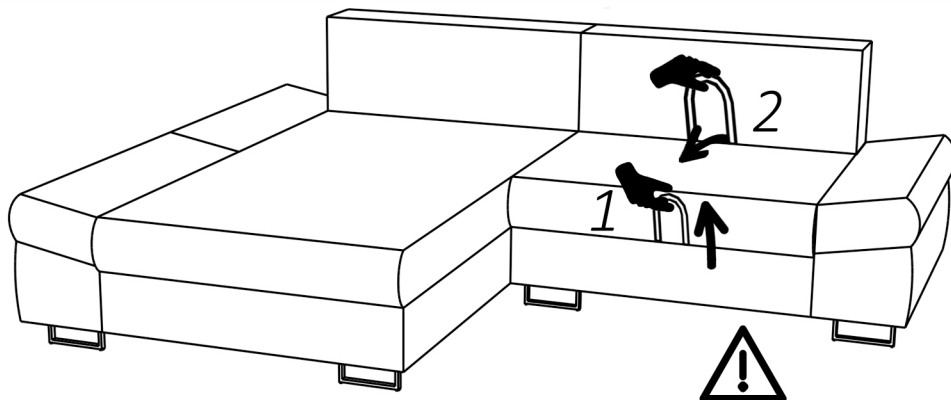


H- 2 St.

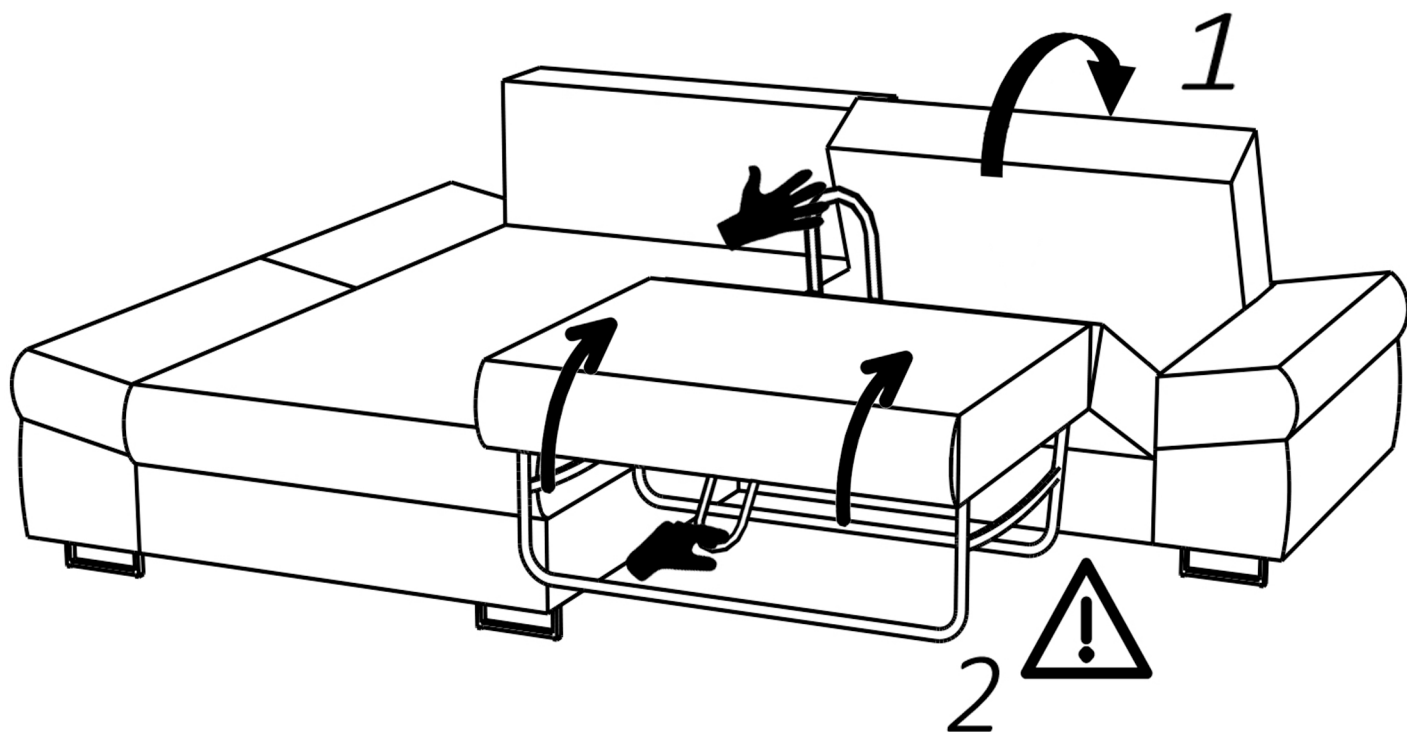


I- 2 St.





CLOSING



CLOSING

