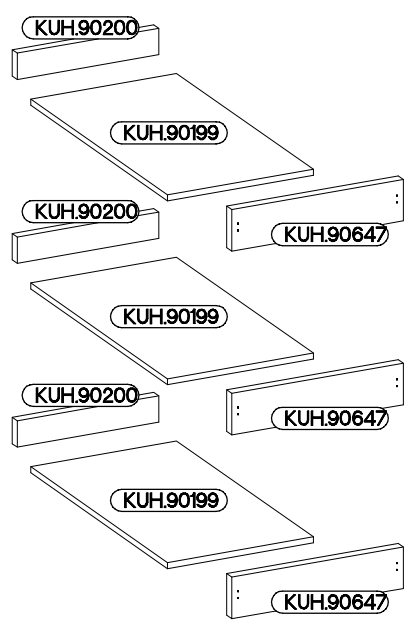
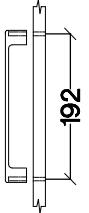
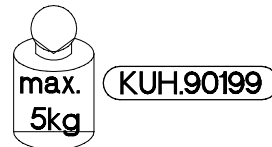
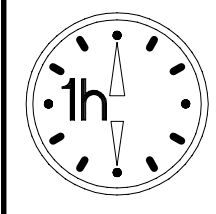
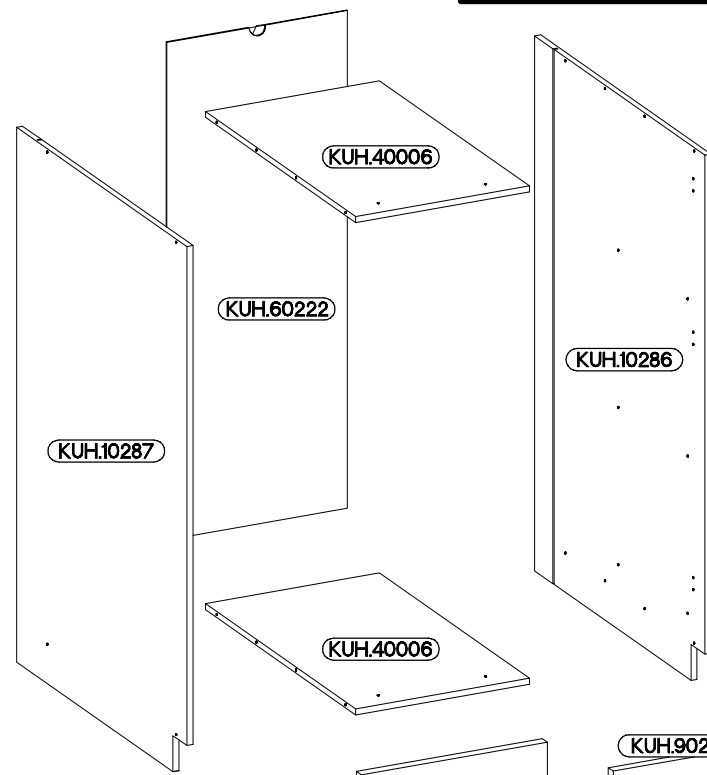
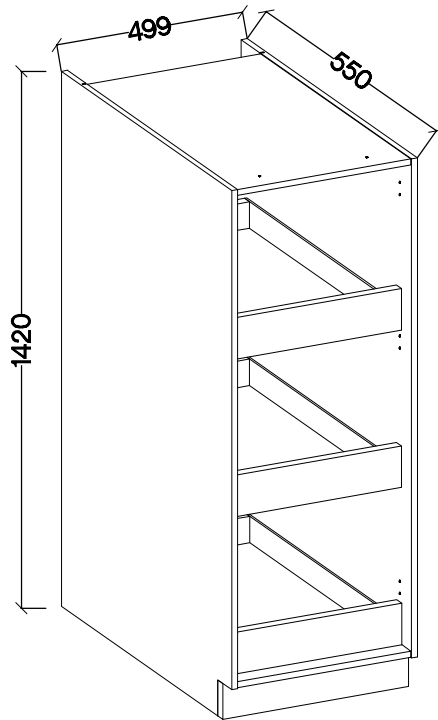
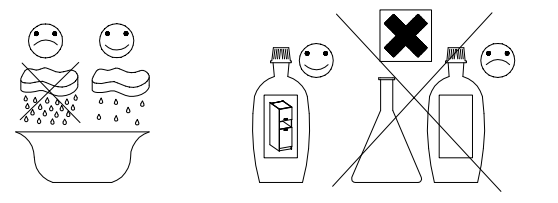
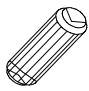


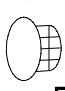


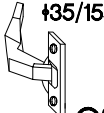
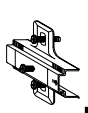

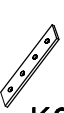
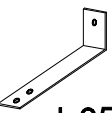








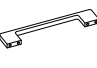


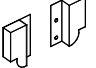
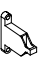

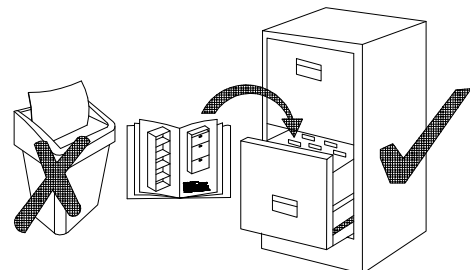


50 DK-1450

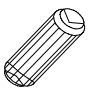
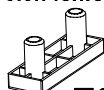


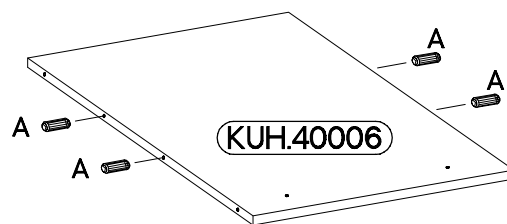
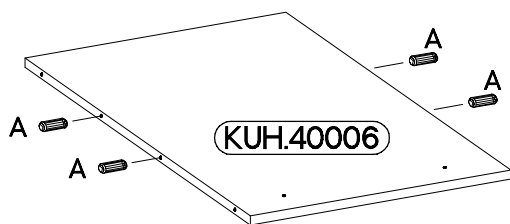
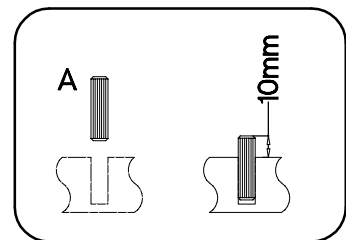
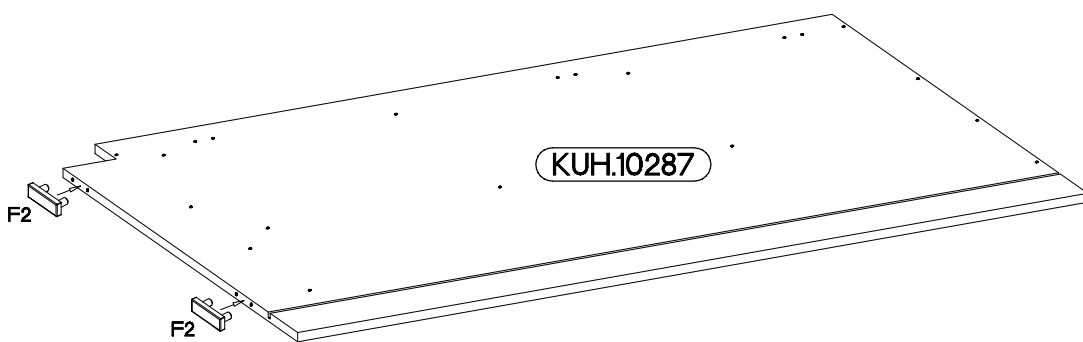
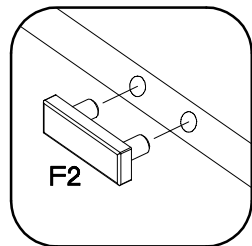
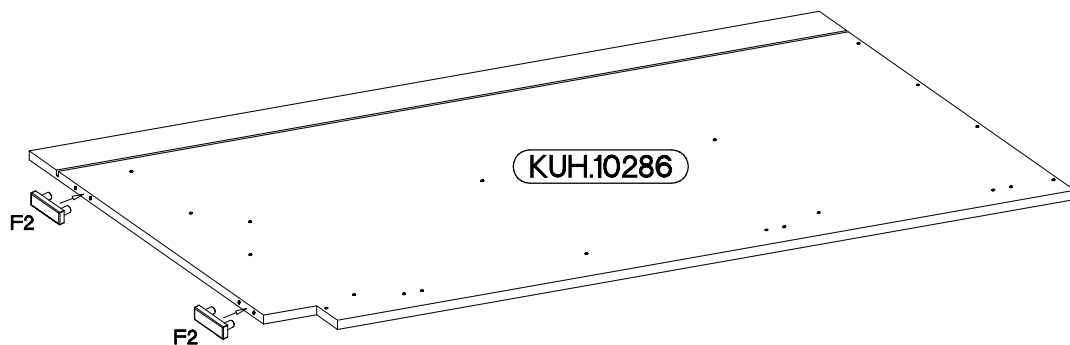
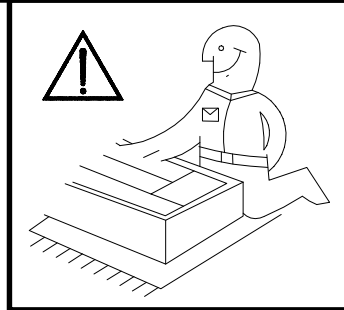
 A 8	 B 8	 E1 8	 E5 3	 E9 2		
 F2 4	 G8 3	 H 3	 K28 4	 K29 2	 L25 1	 M3 12
 O 1	 P1 24	 P4 2	 P5 40	 P7 8-10	 R2 2	 R3 4
 S15 1	 11A 3	 11C 3	 11D 3	 11E 6	 11G 6	



ISM-KUH-00964

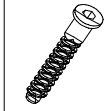
1

$\varnothing 8 \times 30 \text{mm}$  A 8	$6.5 \times 48 \times 16$  F2 4
---	--



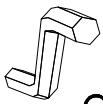
2

6,4 x 50mm



B

4



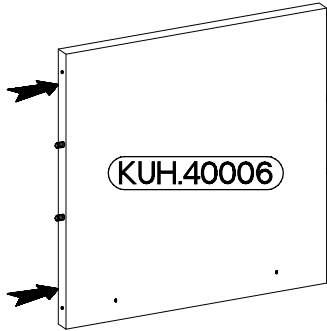
O

1

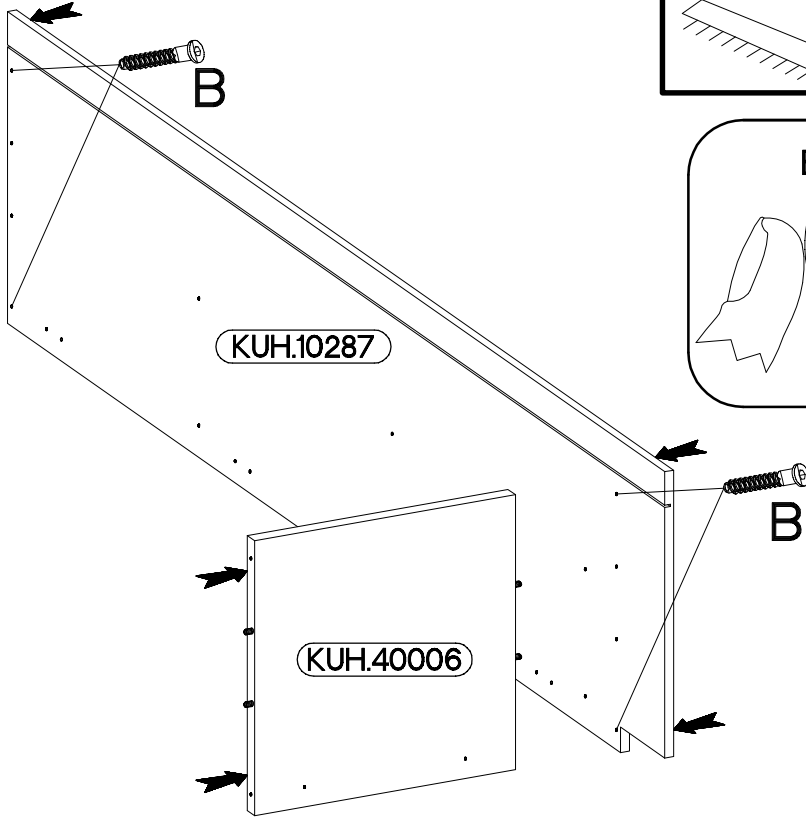


E1

4

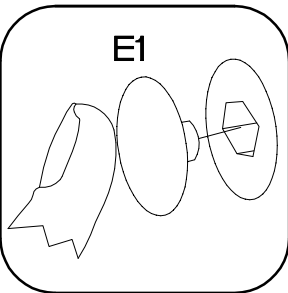
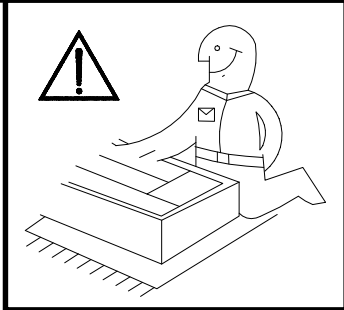
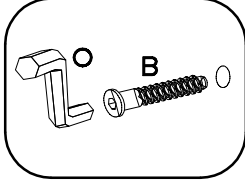


KUH.40006



KUH.10287

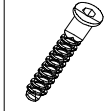
KUH.40006



E1

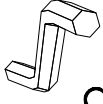
3

6,4 x 50mm



B

4



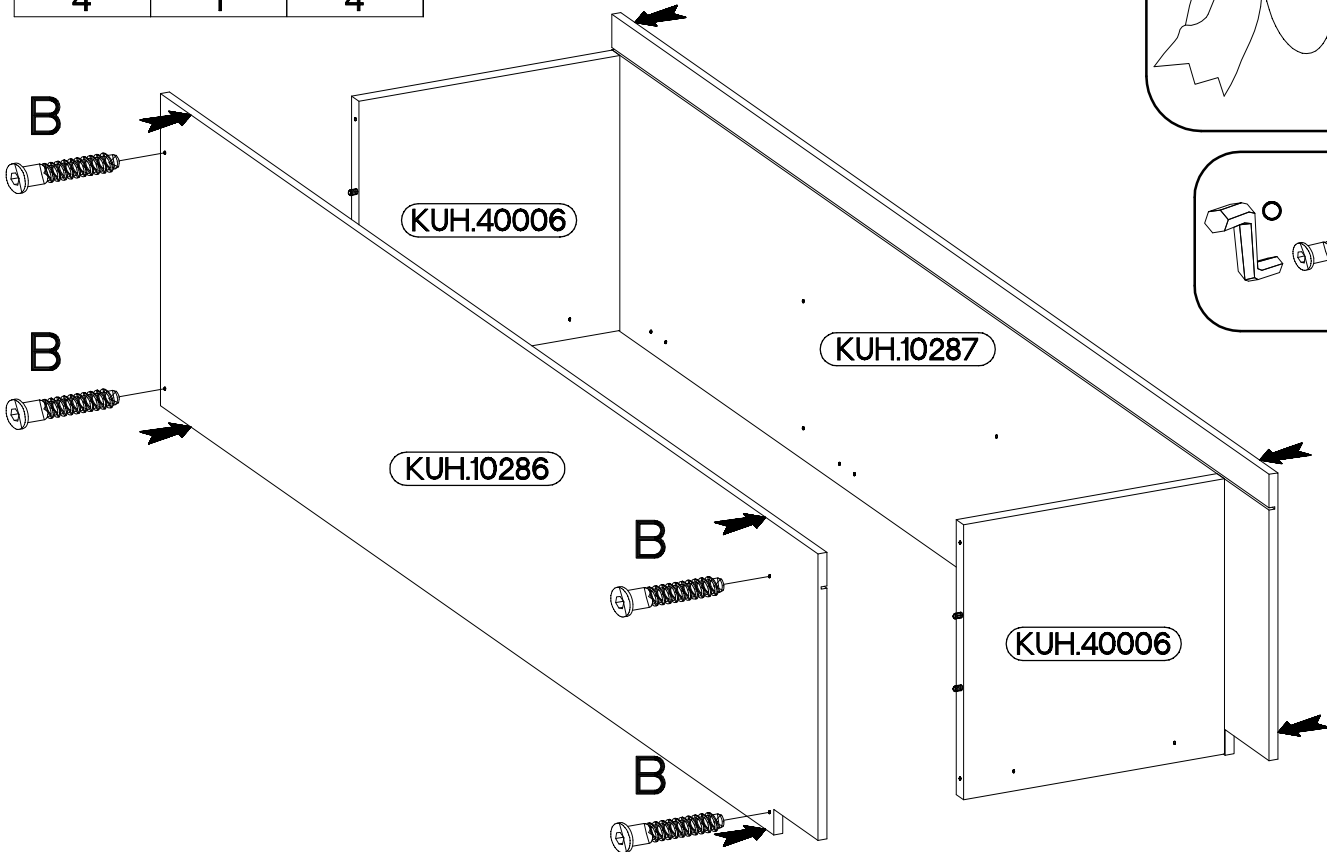
O

1



E1

4

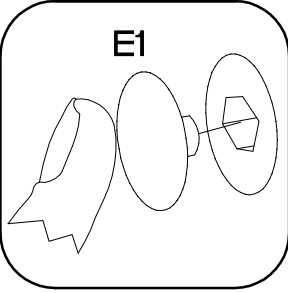


KUH.40006

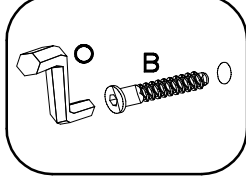
KUH.10287

KUH.10286

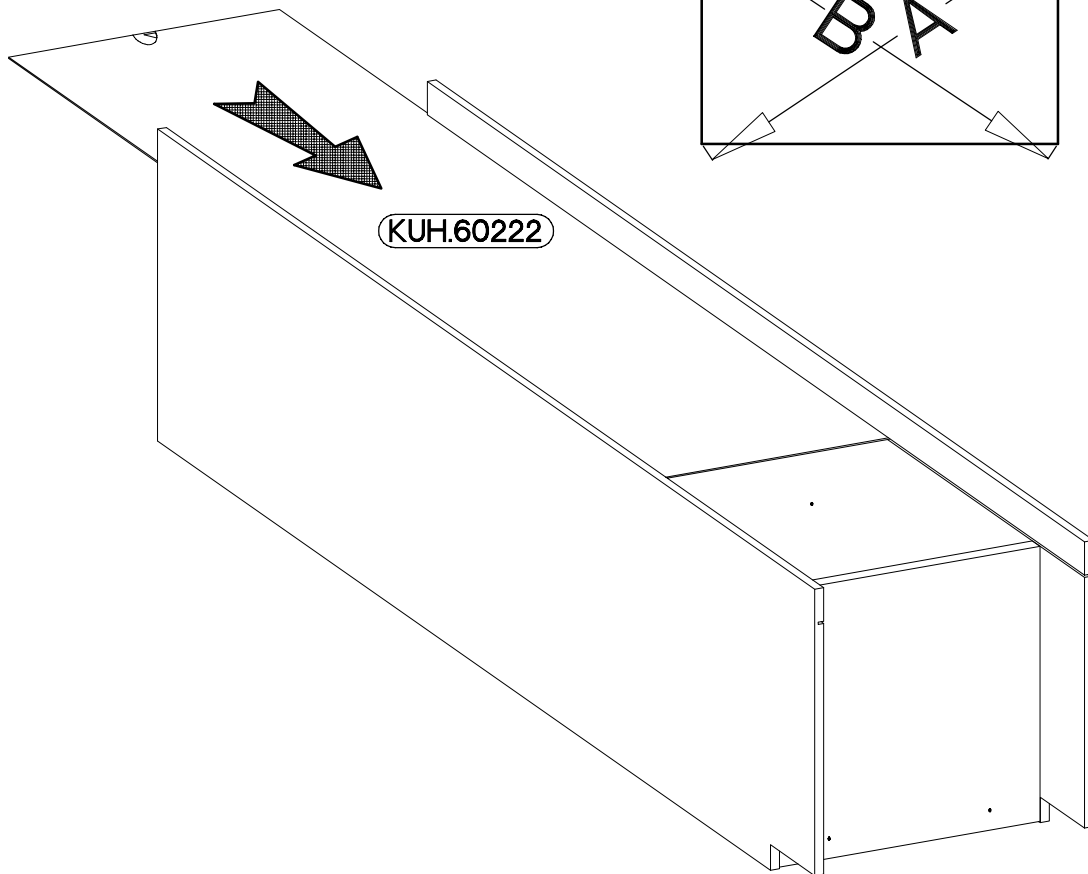
KUH.40006



E1

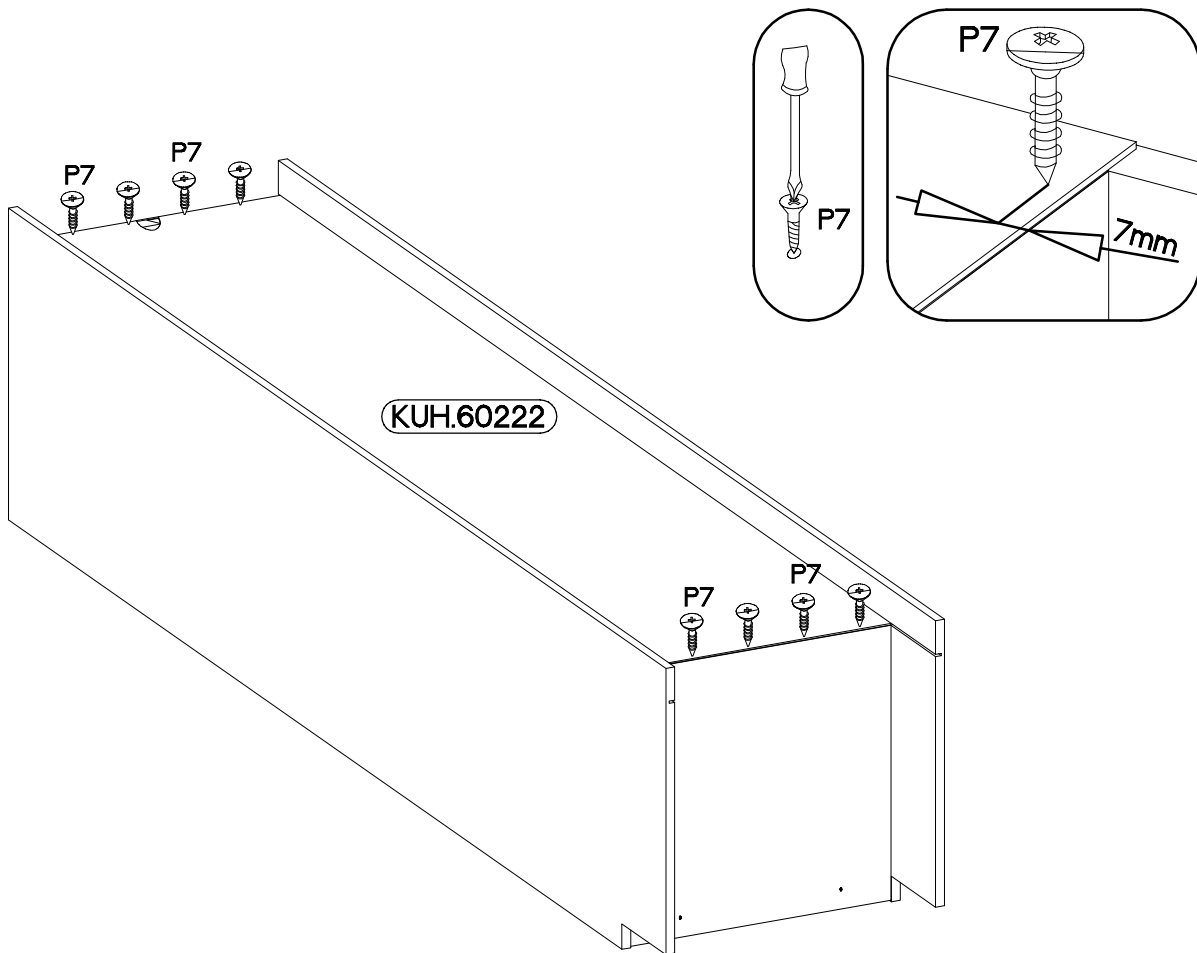


4





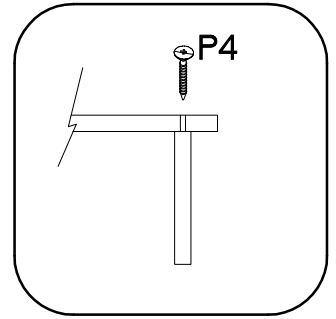
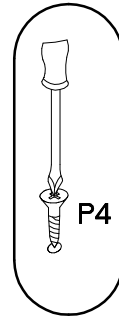
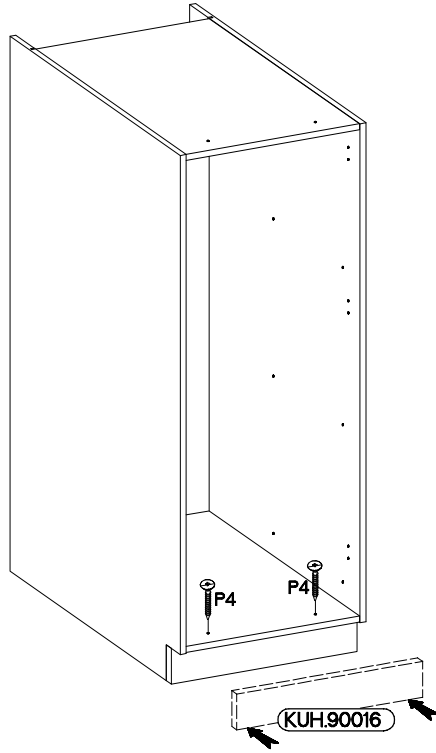
5

±3.0x20mm
P7
8-10

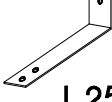



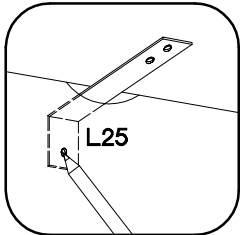
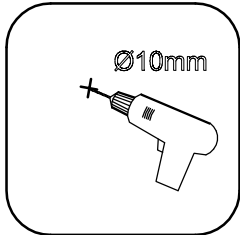
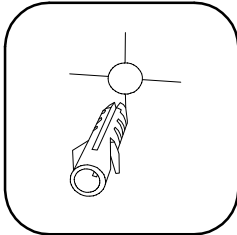
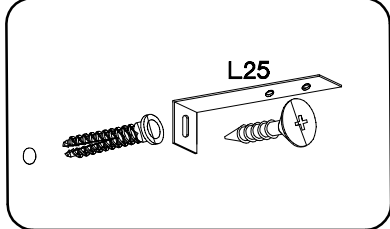
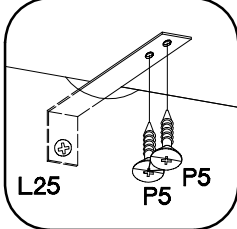
6

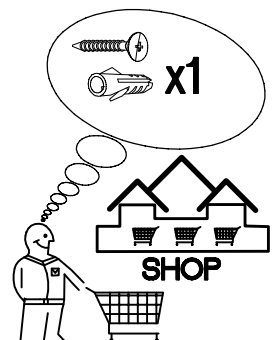
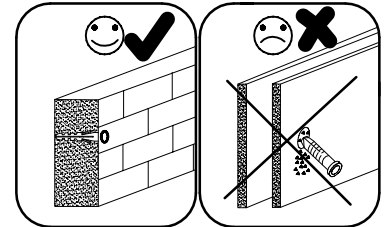
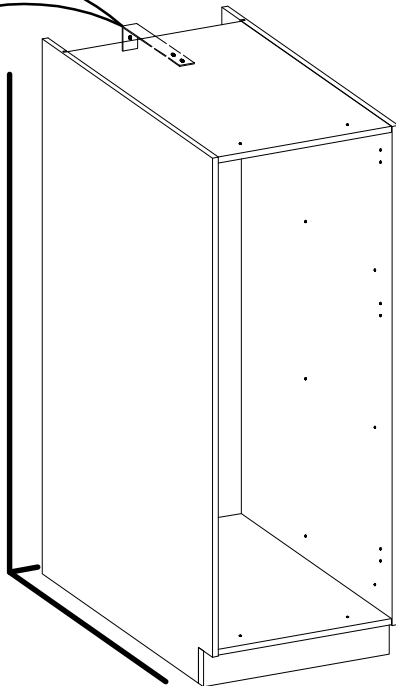
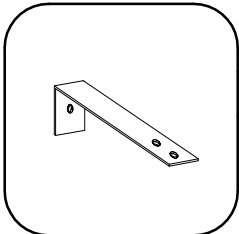
$\pm 4.0 \times 45 \text{mm}$  P4 2	 E9 2
--	---



7

 L25 1	$\pm 3.5 \times 13 \text{mm}$  P5 2
---	---

- 
- 
- 
- 
- 



8

+4.0x35mm

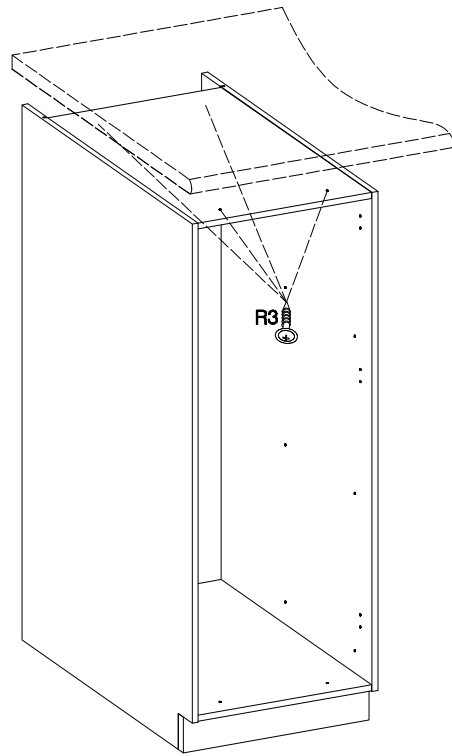
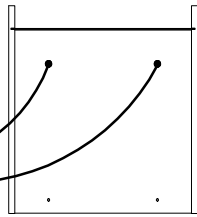


R3

4



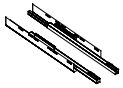
Ø5mm



R3



9



11A

3

+6.3x13mm



M3

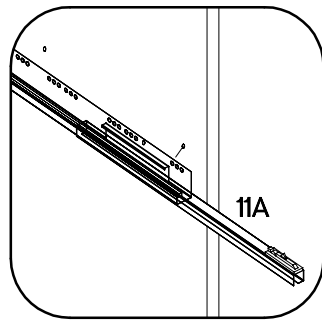
12

+4.0x16mm

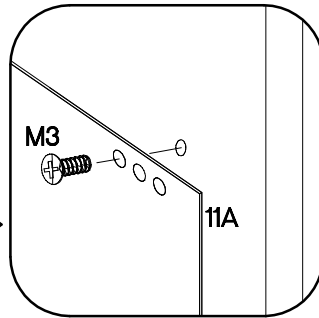


P1

12

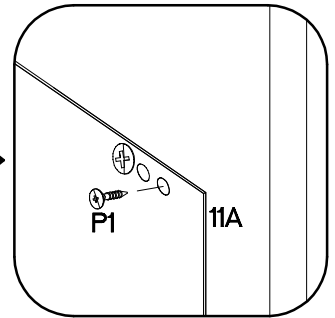


11A



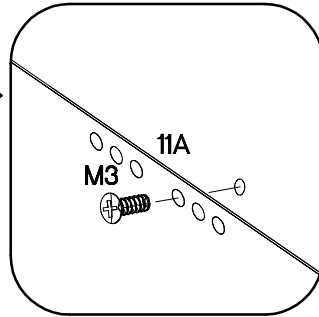
M3

11A



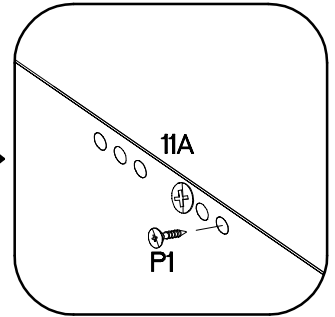
P1

11A



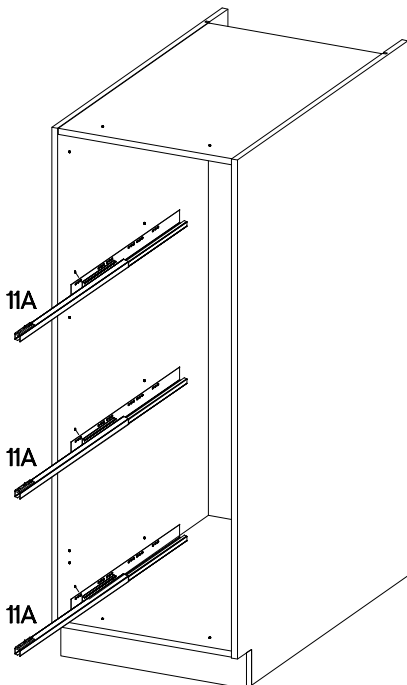
M3

11A



P1

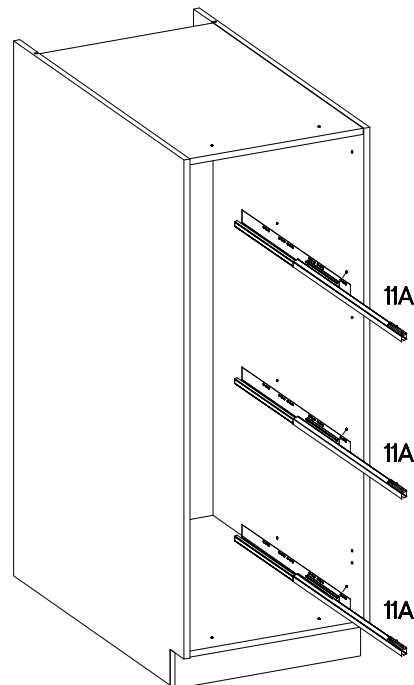
11A



11A

11A


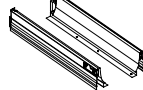




11A

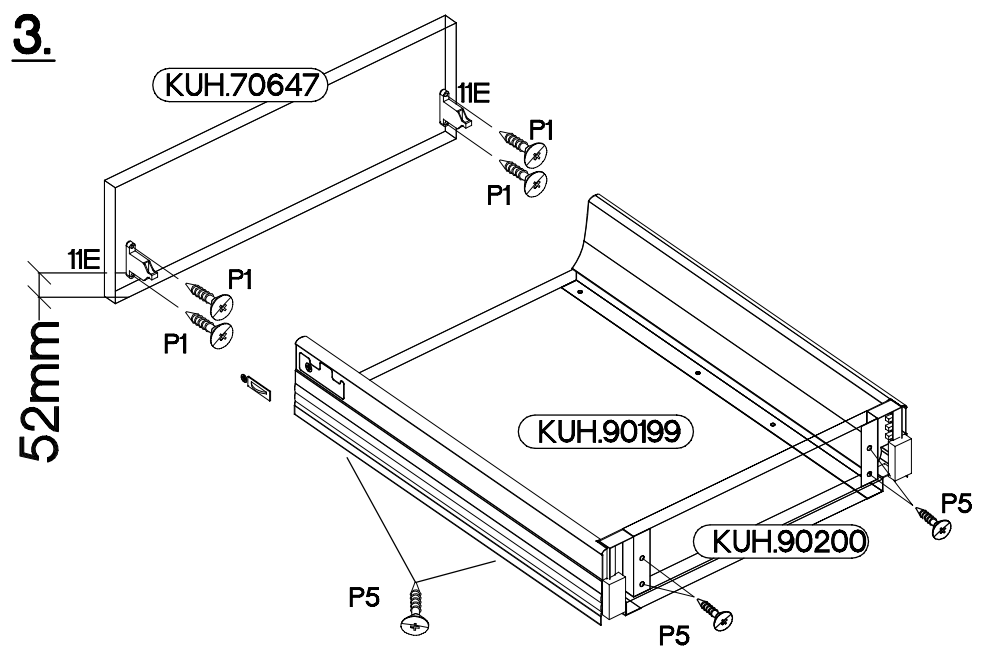
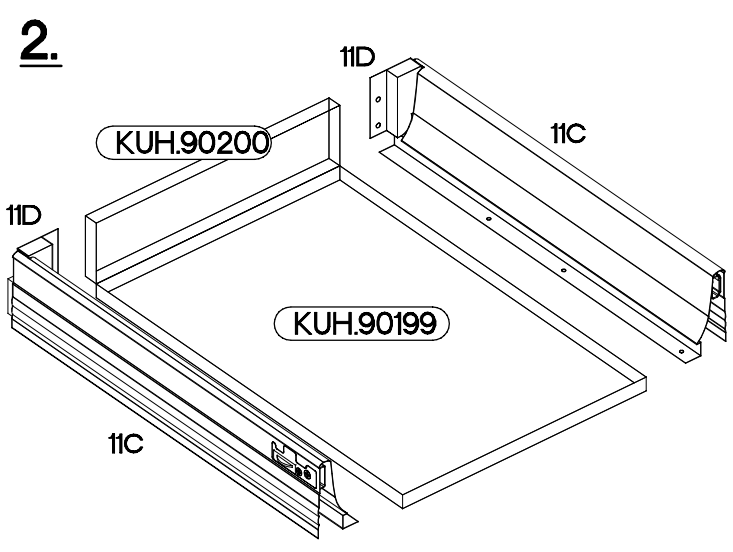
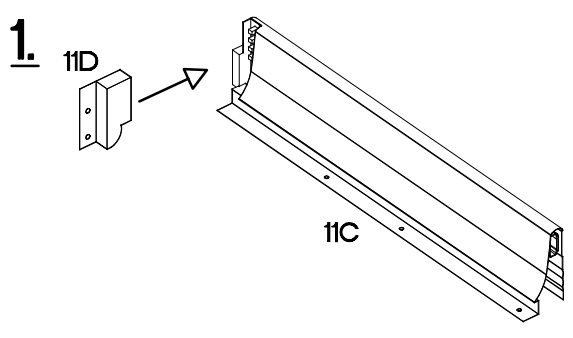


11A

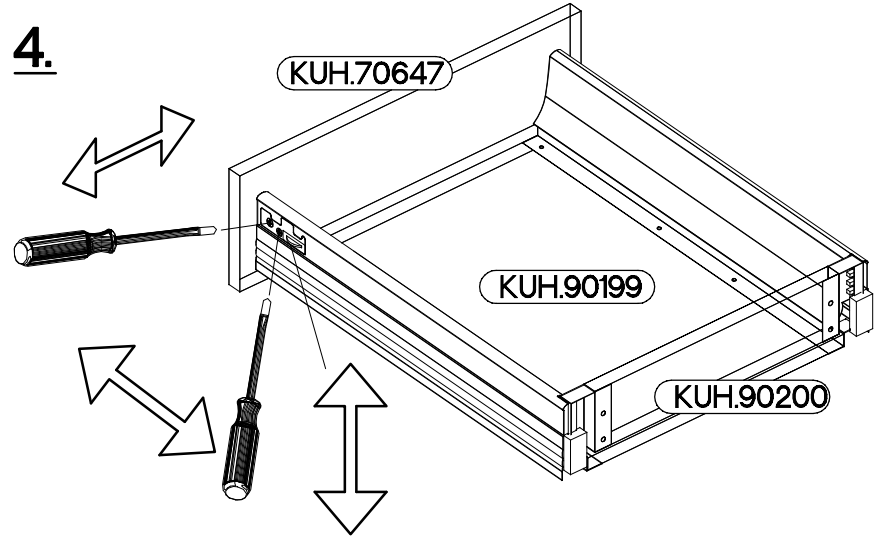
11A

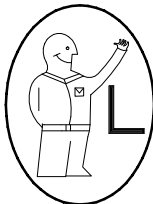
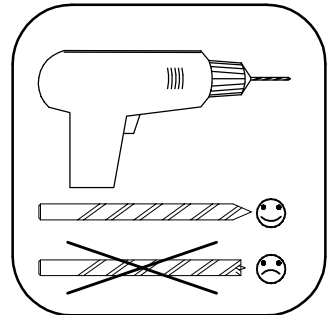
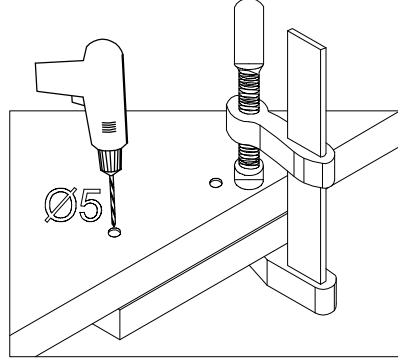
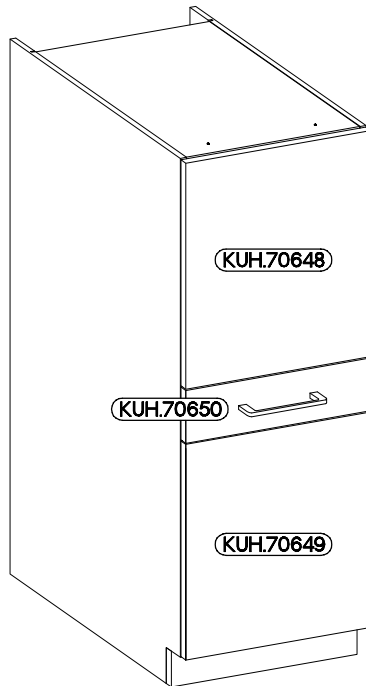
11A

					
11D	11C	11E	P1	P5	11G
3	3	6	12	24	6

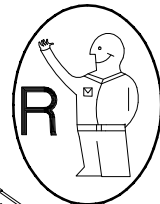
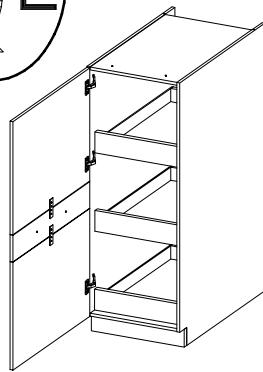


x3

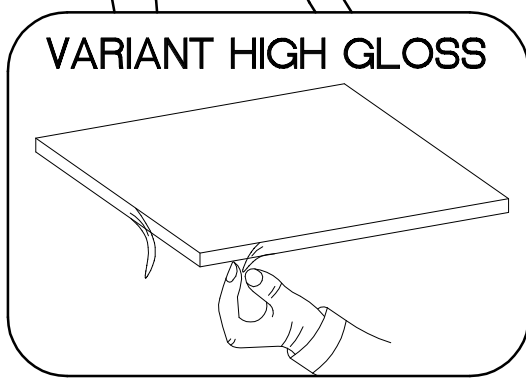
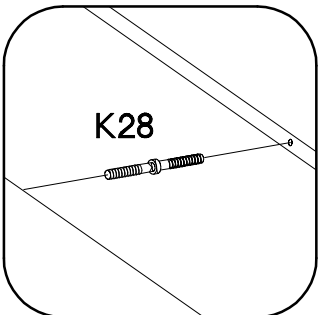
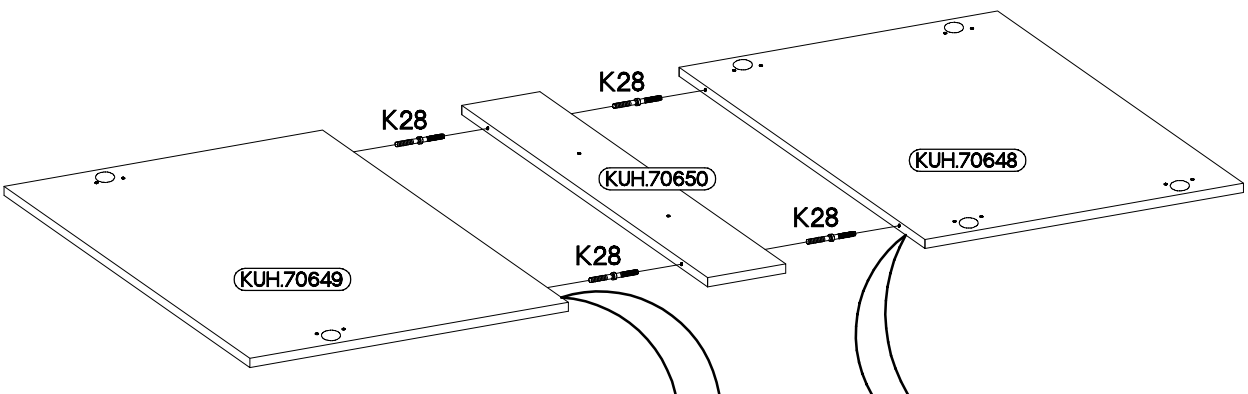
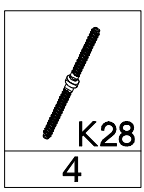
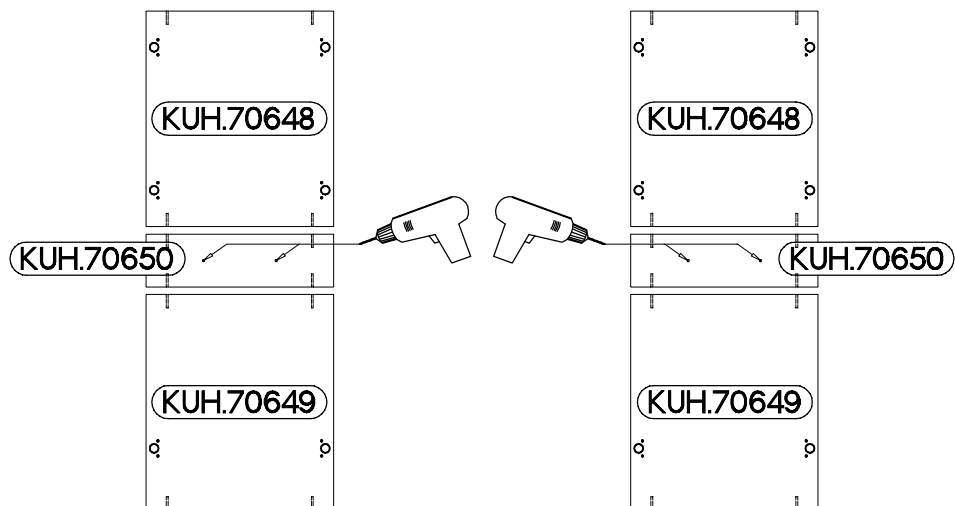
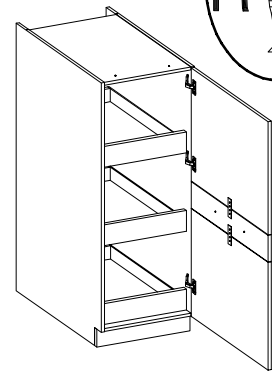




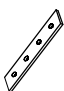
LEFT

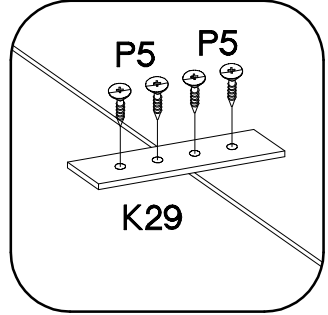
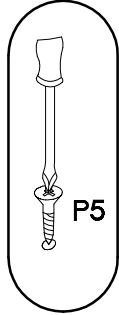
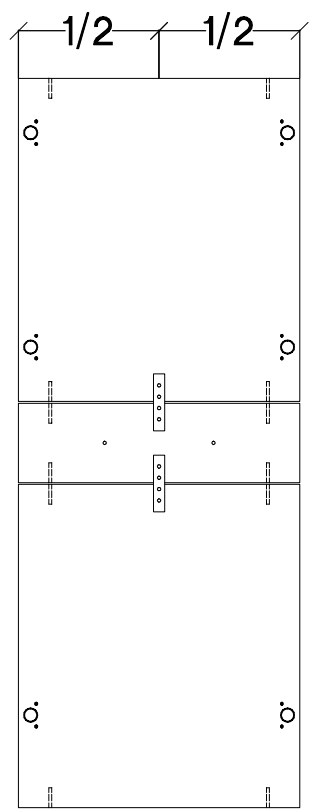
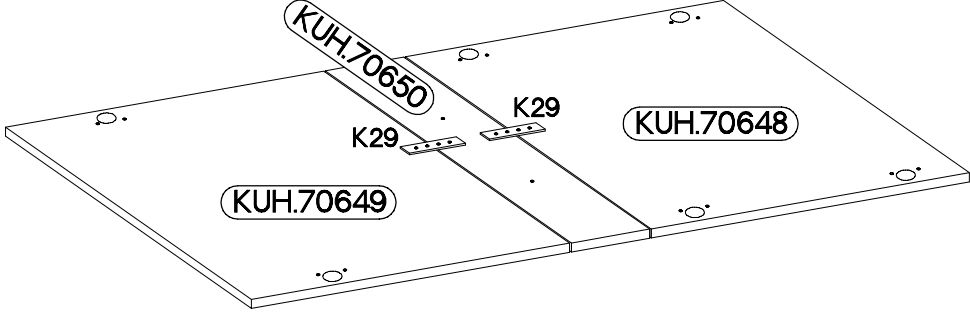


RIGHT

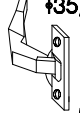


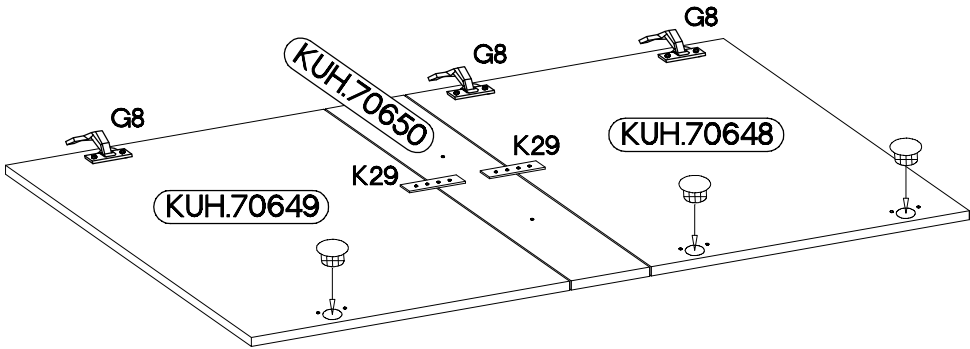
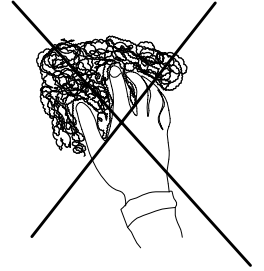
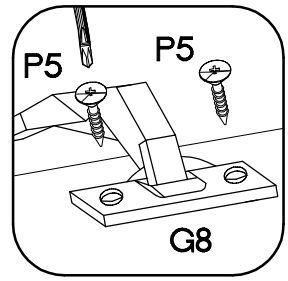
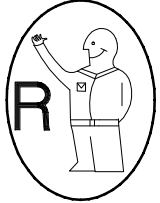
13

	±3.5x13mm
K29	P5
2	8

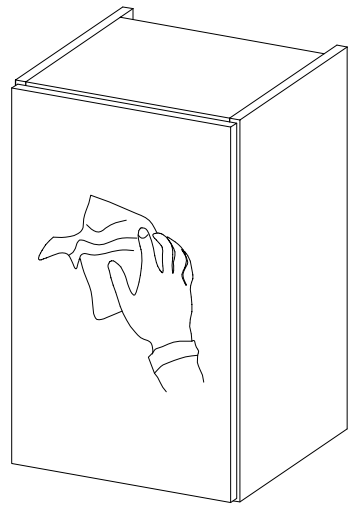
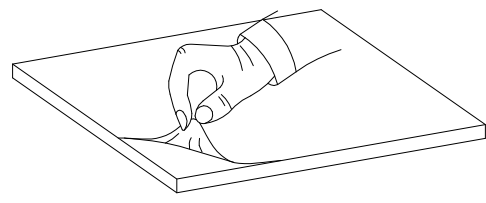
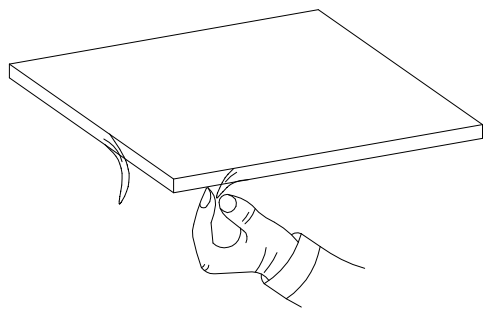


14

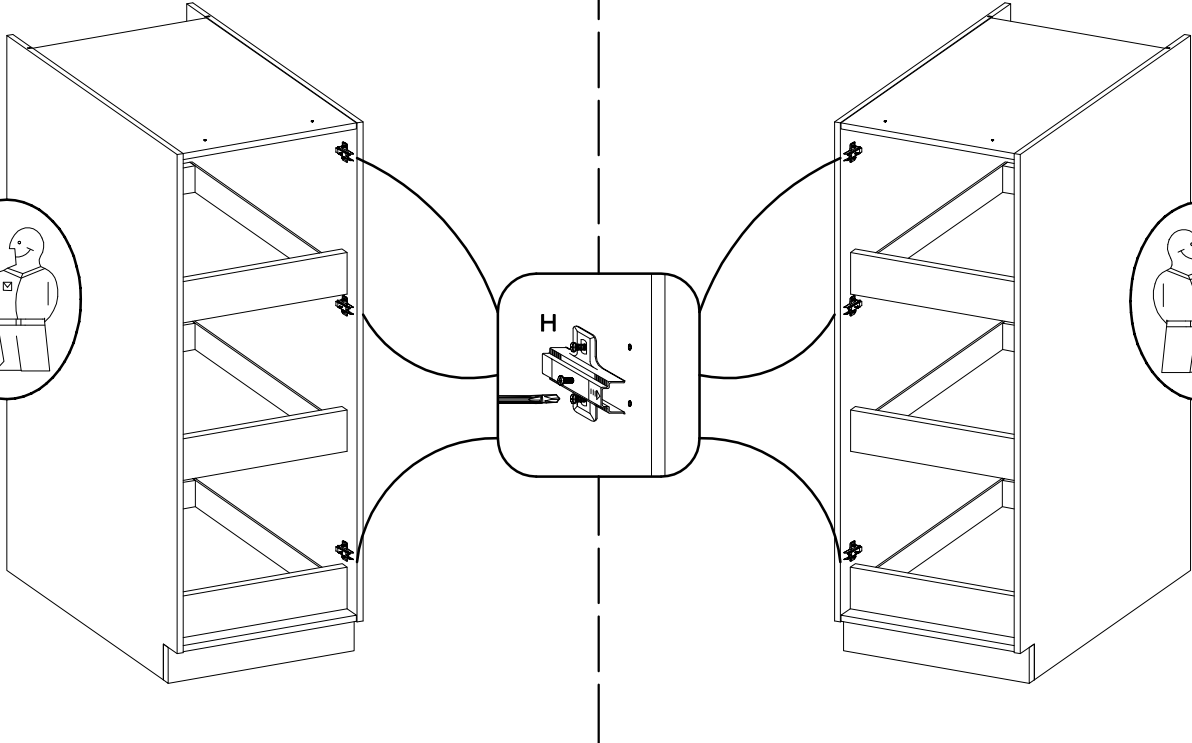
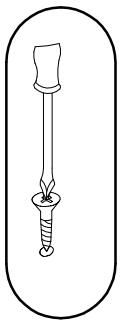
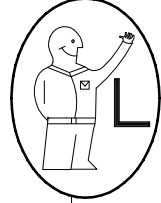
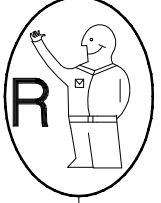
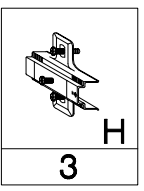
	±3.5x13mm	±35mm
G8	P5	E5
3	6	3



VARIANT HIGH GLOSS



15



16

