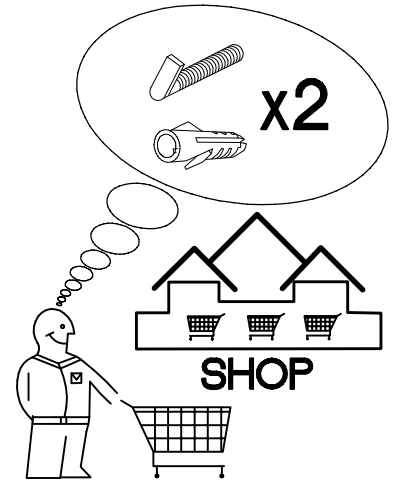
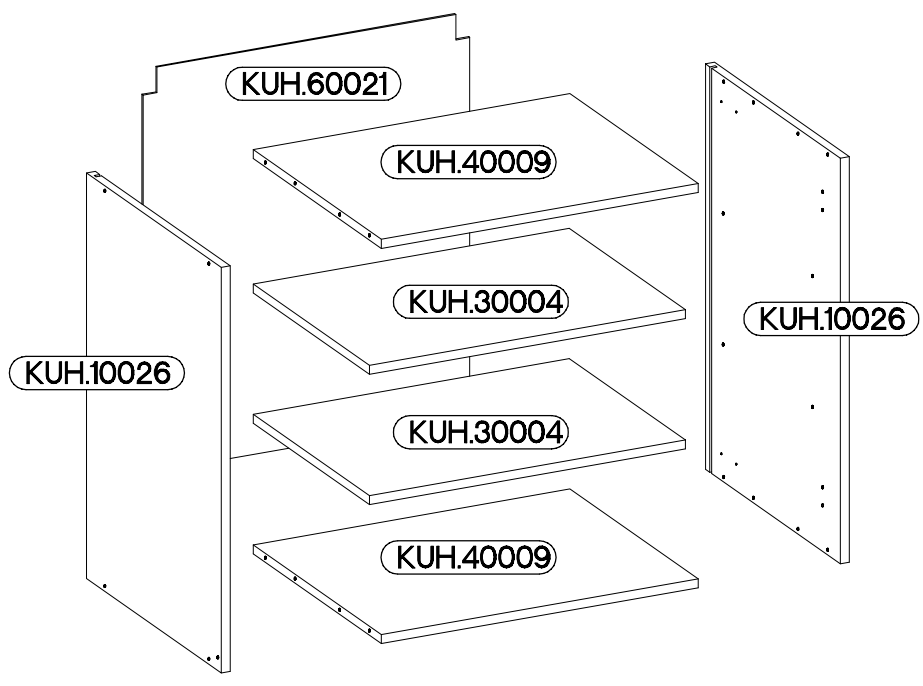
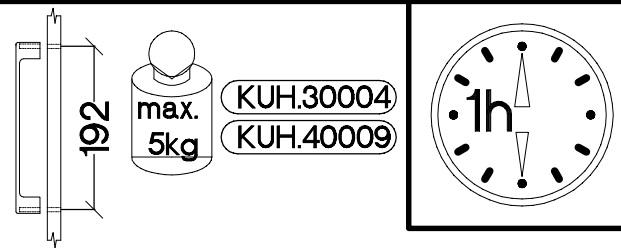
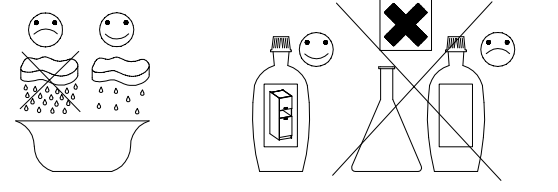
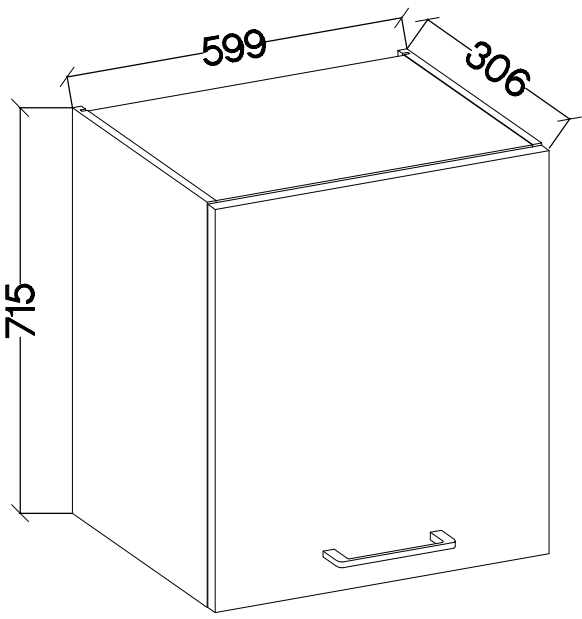
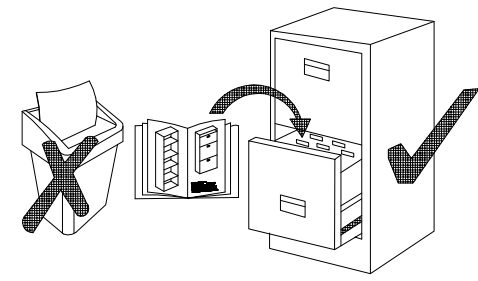


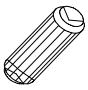
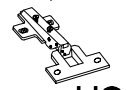

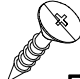
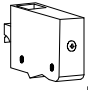
60 G-72 1F

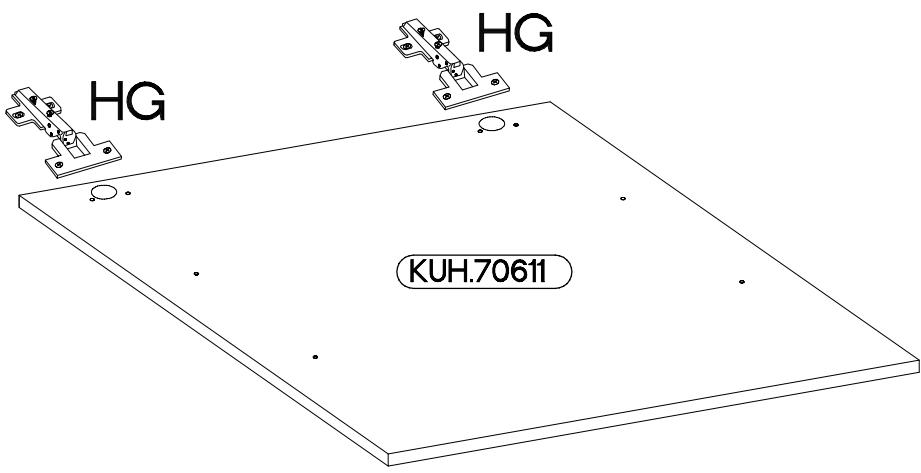
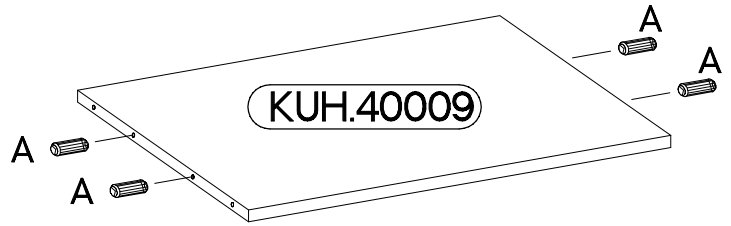
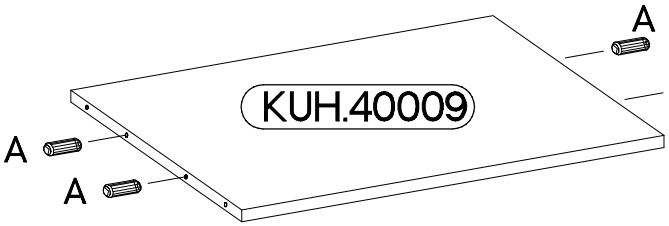
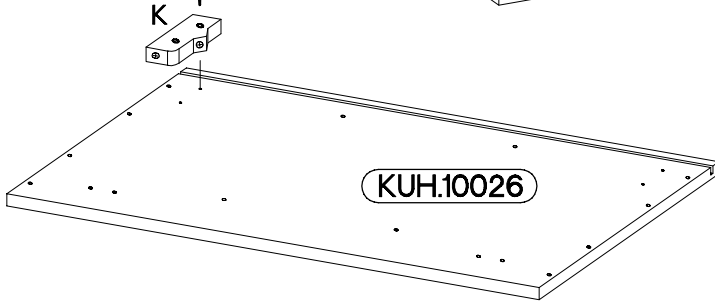
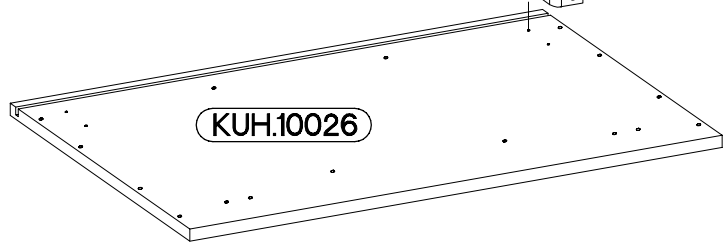
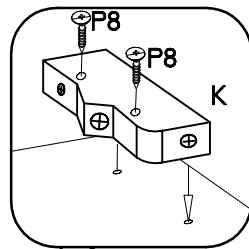
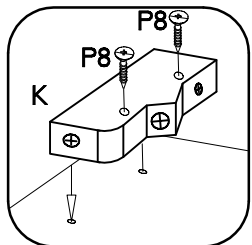
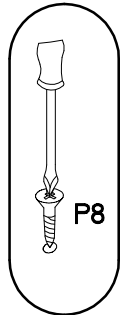
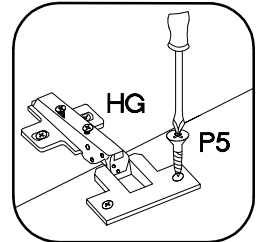
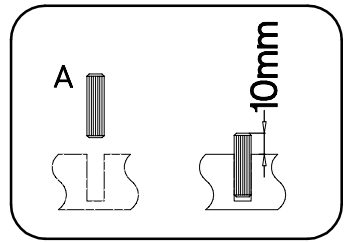
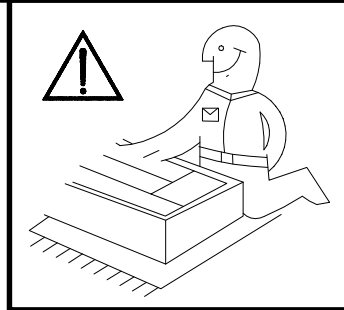


 A 8	 B 8	 E1 8	 HG 2	 J 8	 K 2
 O 1	 P5 4	 P7 8-10	 P8 4	 R2 2	 S15 1



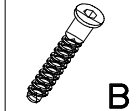
ISM-KUH-00977

±8x30mm  A 8	±35/0mm  HG 2	±3.5x13mm  P5 4	±4.0x30mm  P8 4	 K 2
---	--	--	--	--

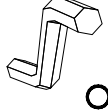


2

6,4 x 50mm



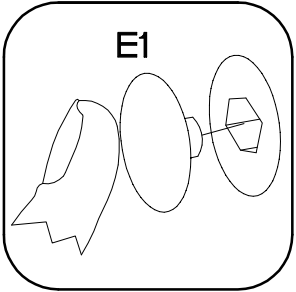
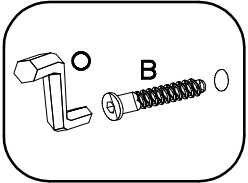
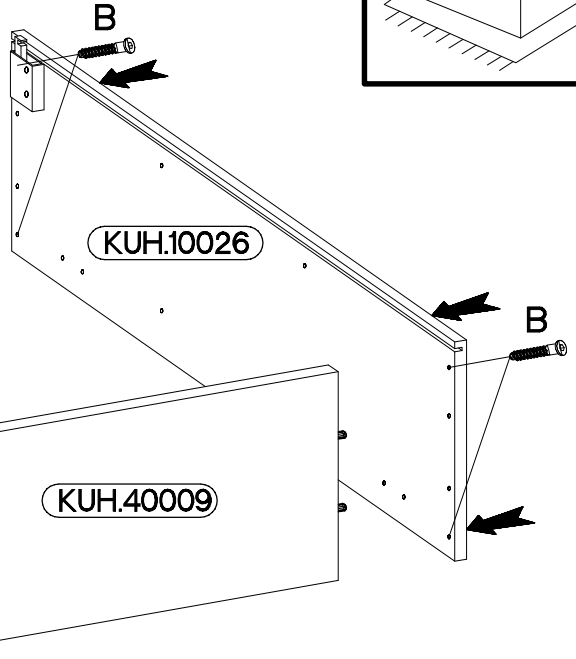
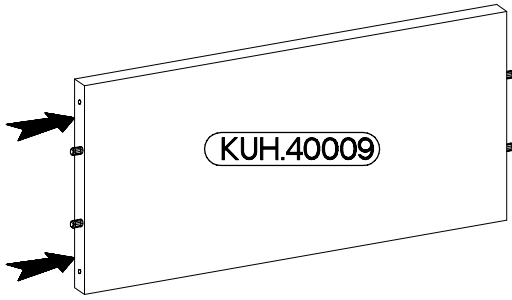
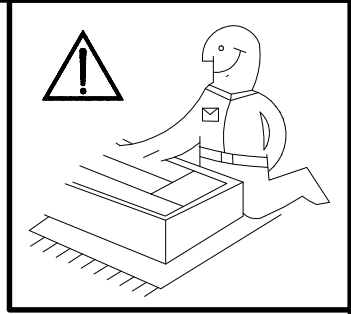
4



1

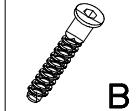


4

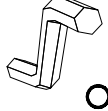


3

6,4 x 50mm



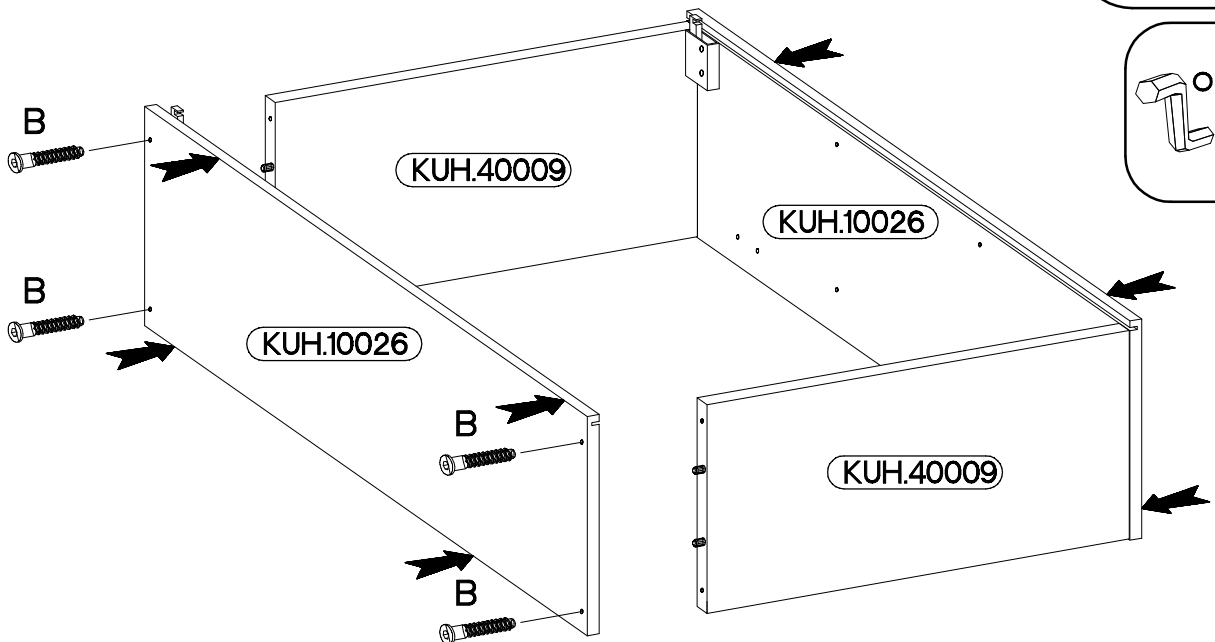
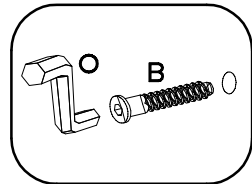
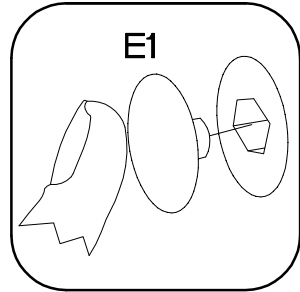
4



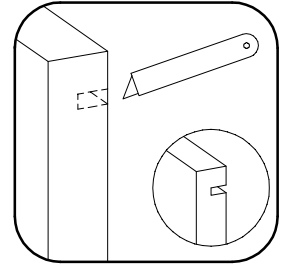
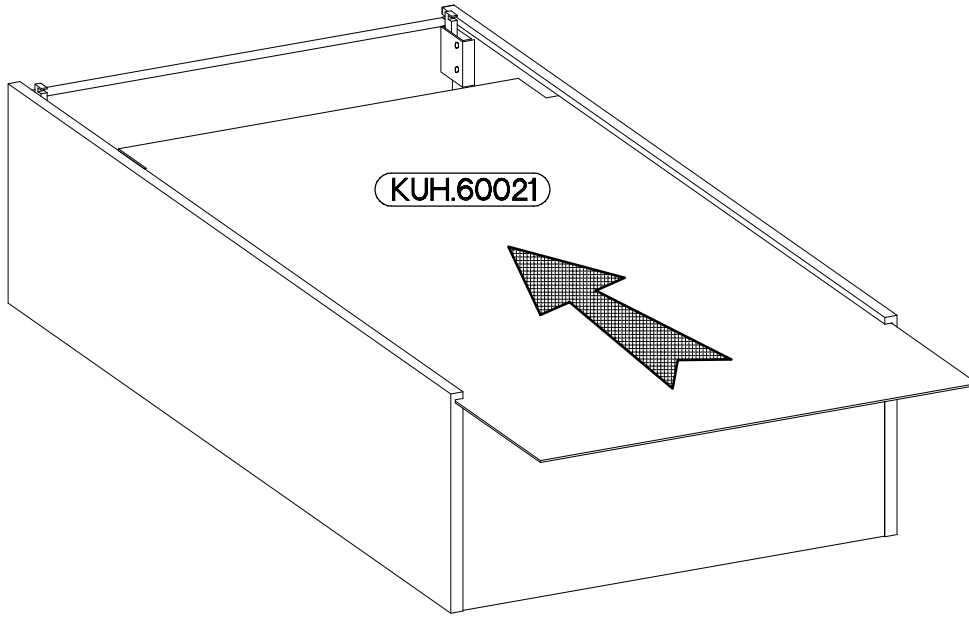
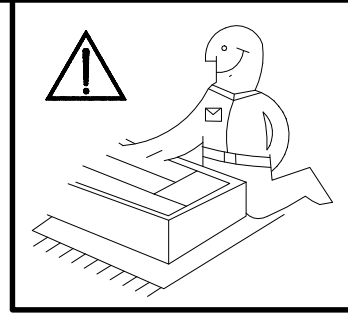
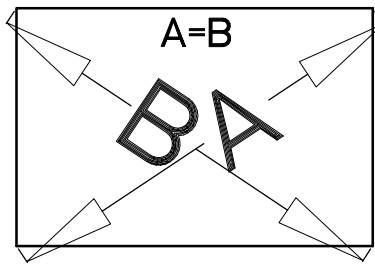
1



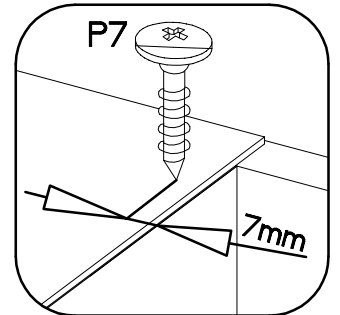
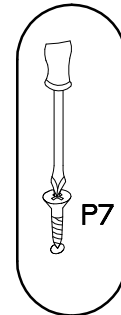
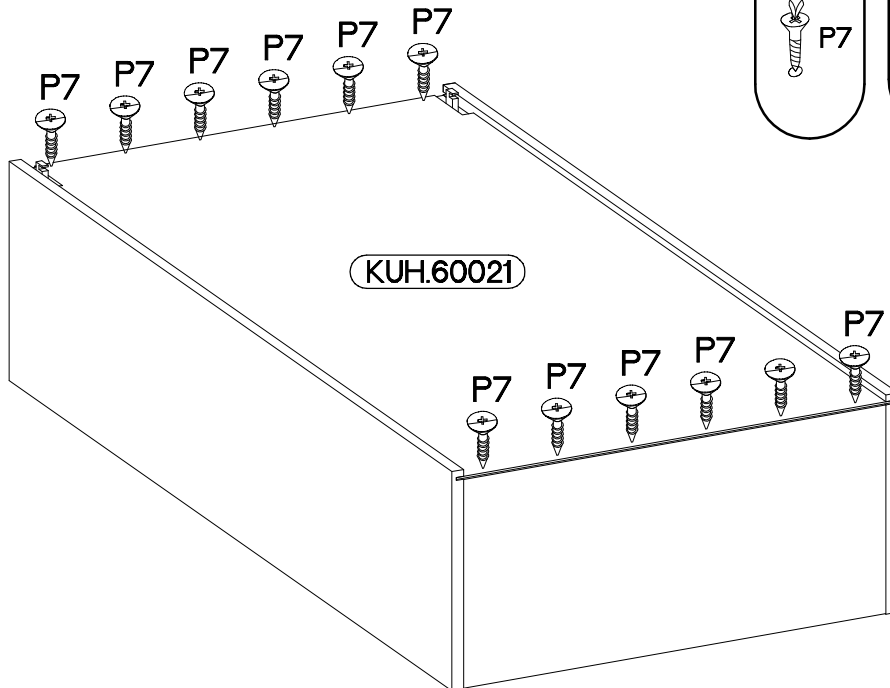
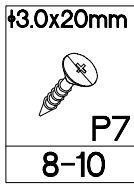
4

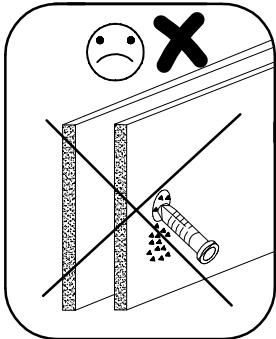
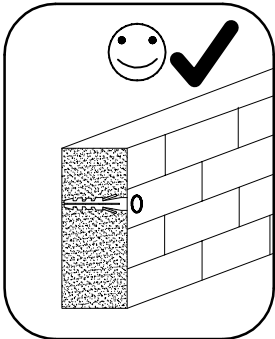
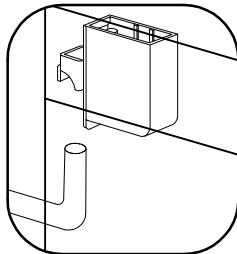
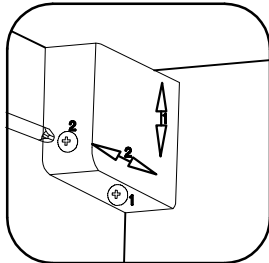
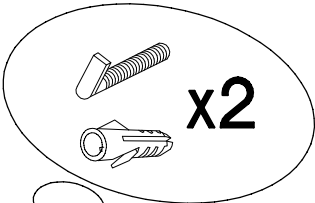
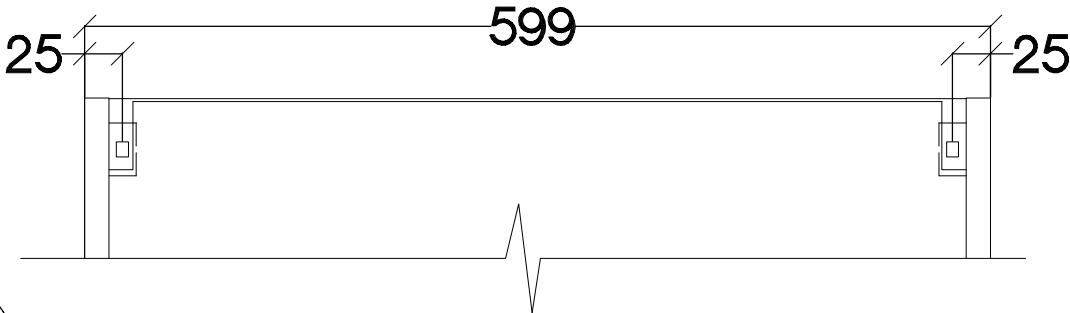
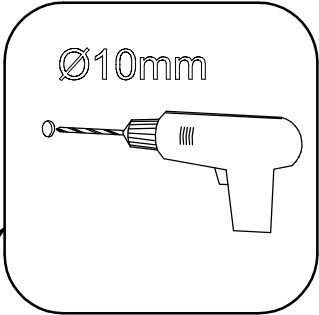
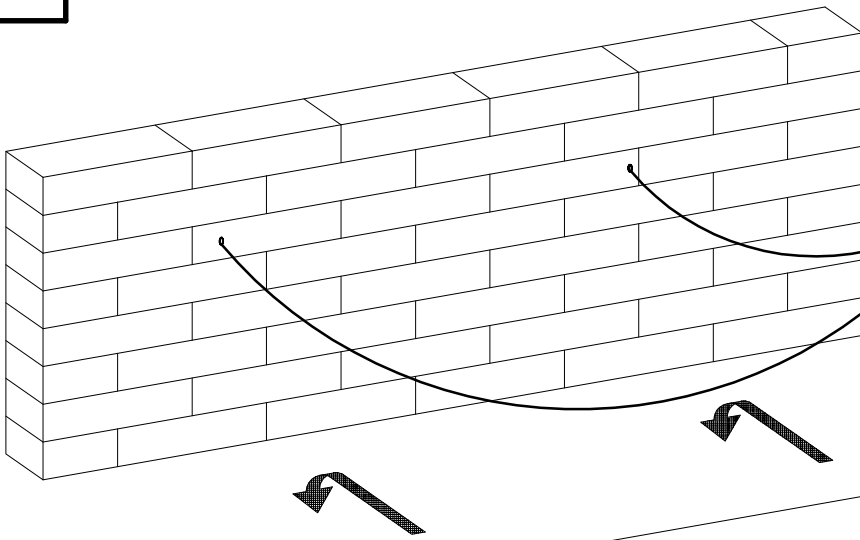


4



5



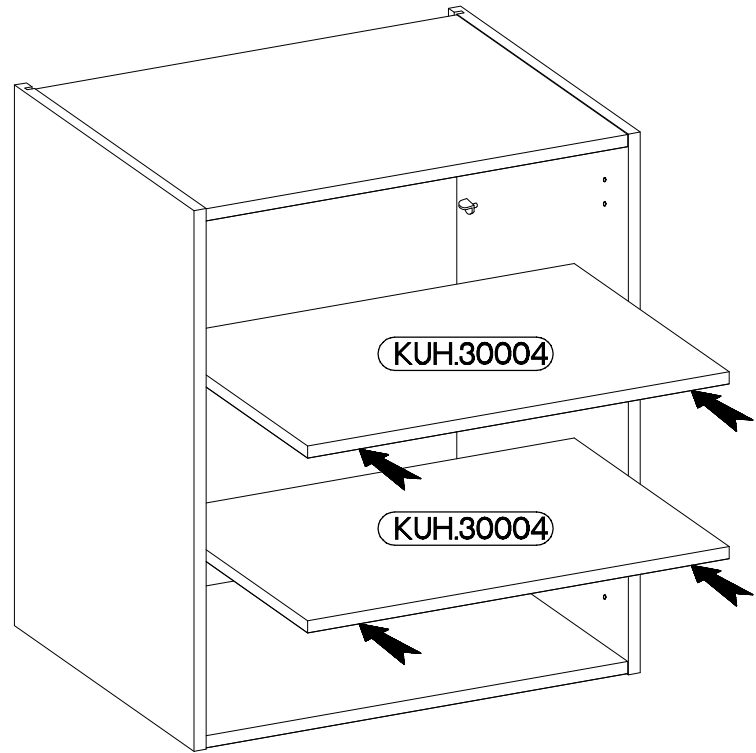
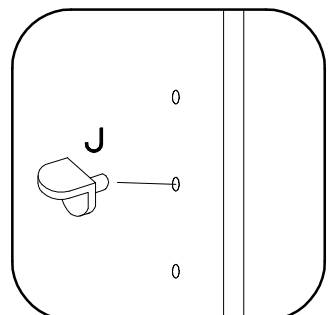


7

±5/19mm

J

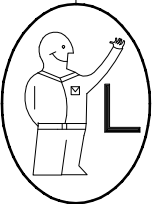
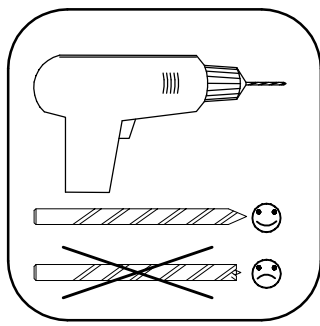
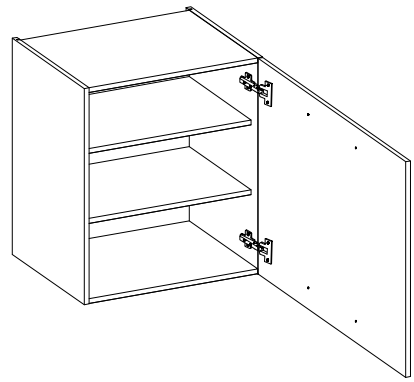
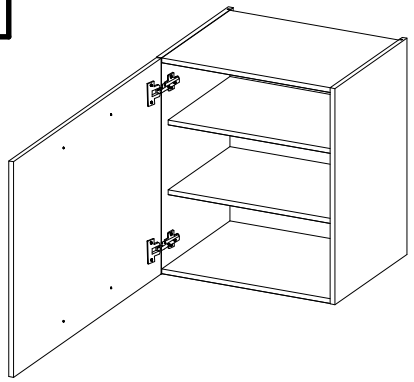
8



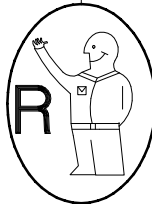
8

LEFT

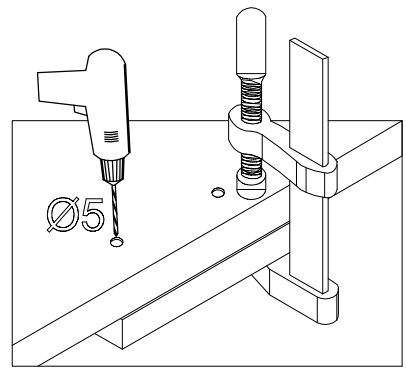
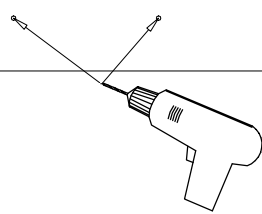
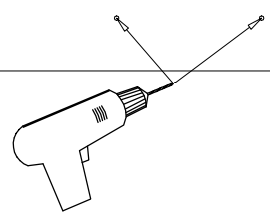
RIGHT


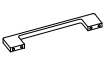


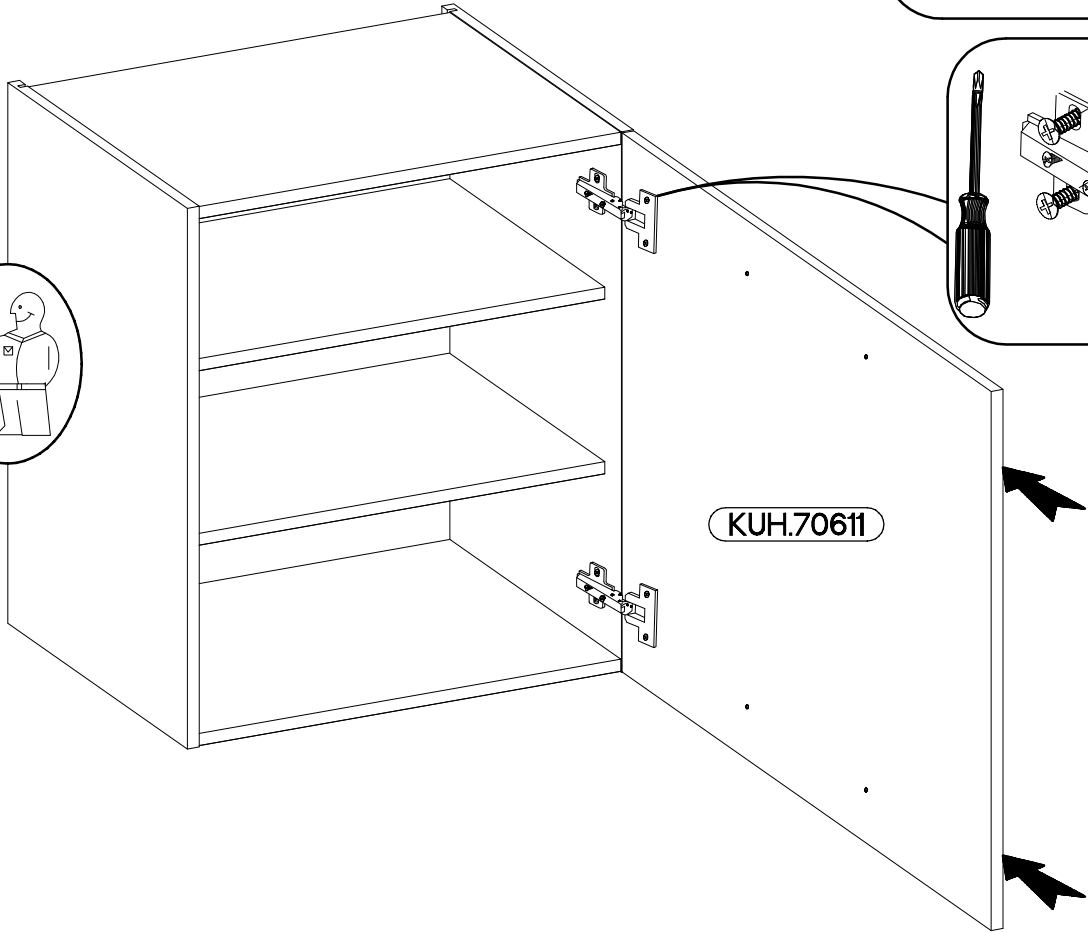
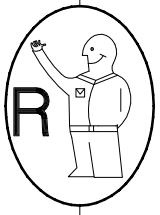
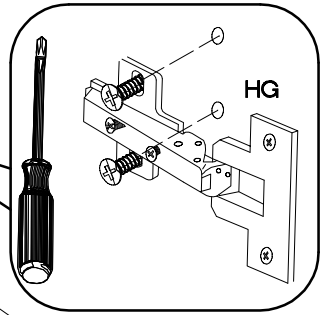
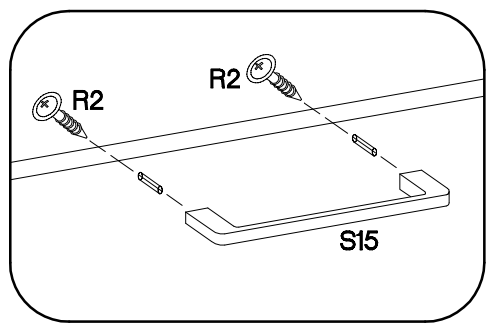
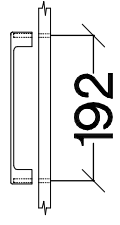
KUH.70611



KUH.70611



+4.0x30mm	
	
R2	S15
2	1



VARIANT HIGH GLOSS

24h

