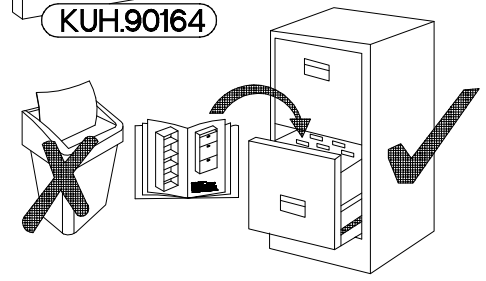
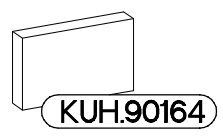
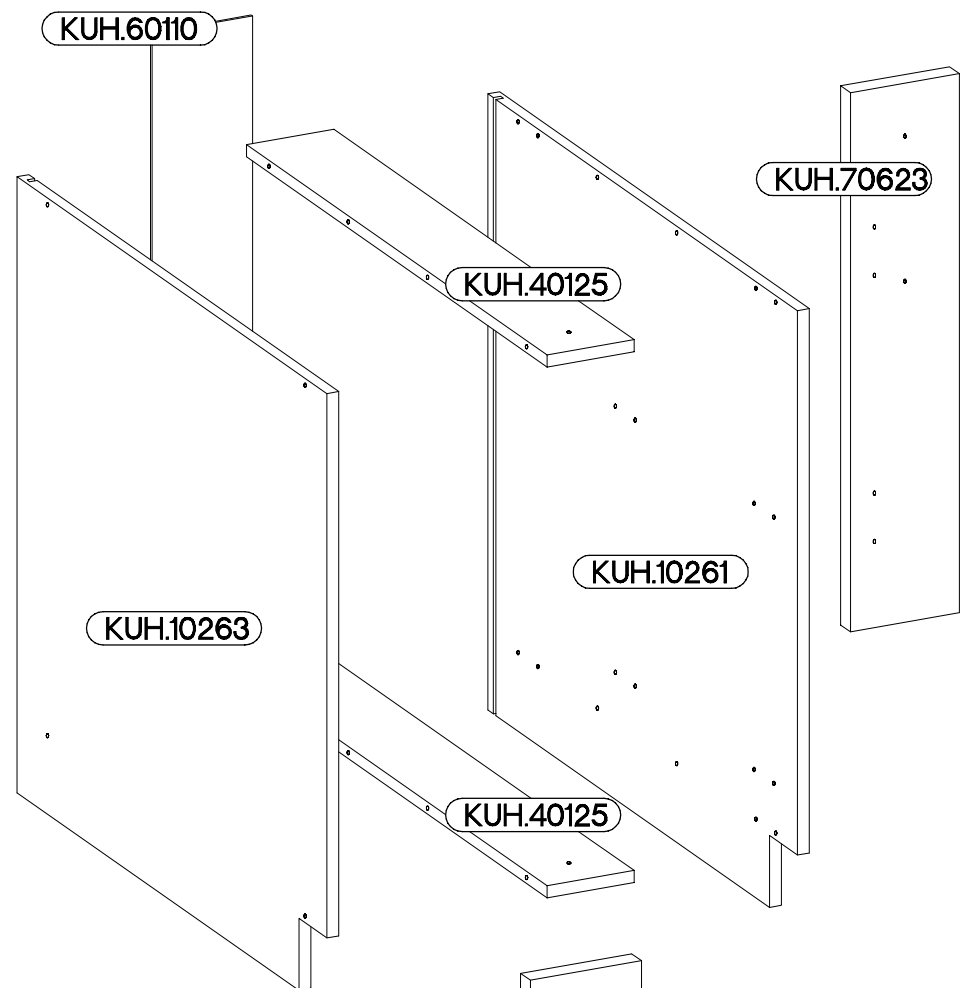
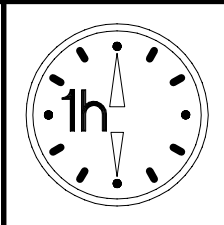
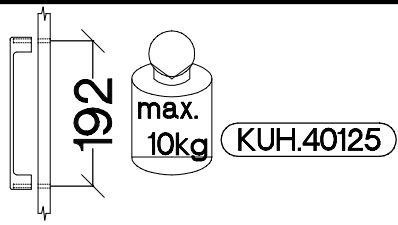
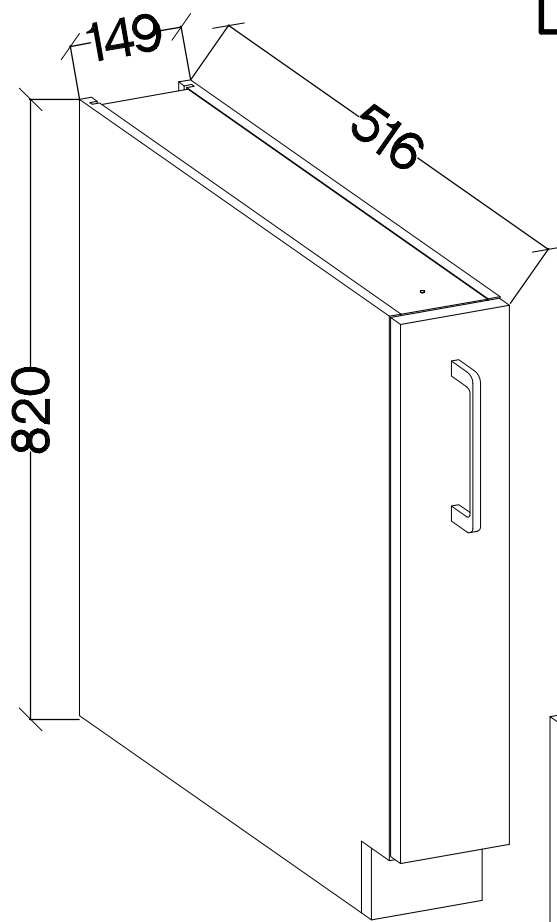
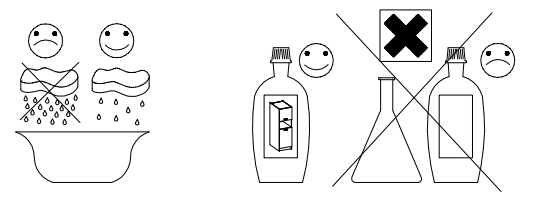
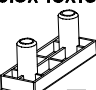
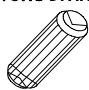


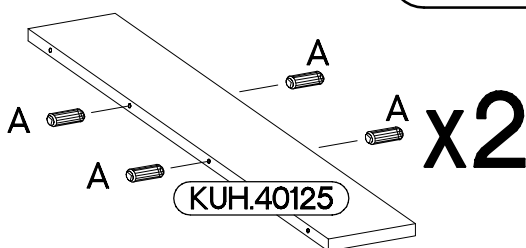
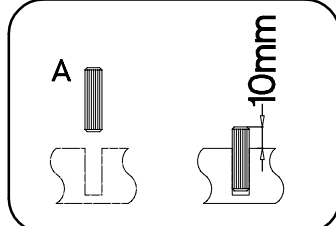
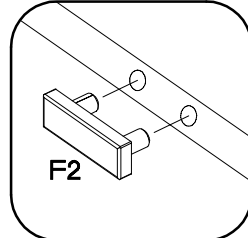
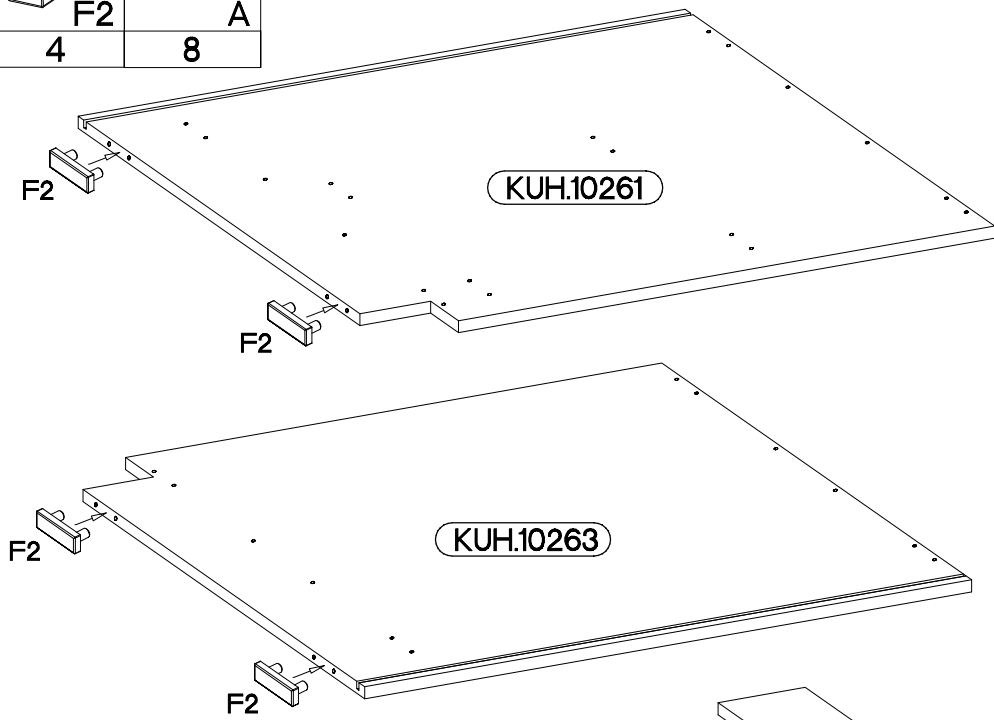
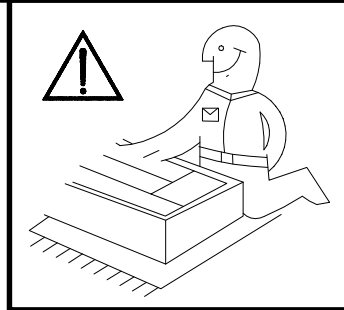
15 D CARGO BB




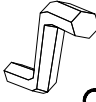

<p>8x30mm A</p>	<p>6.4 x 50mm B</p>	<p>E1</p>	<p>E9</p>	<p>6.5x48x16 F2</p>	<p>O</p>
8	8	8	1	4	1
<p>4.0x45mm P4</p>	<p>3.0x20mm P7</p>	<p>4.0x30mm R2</p>	<p>4.0x35mm R3</p>	<p>S15</p>	
1	4	2	1	1	

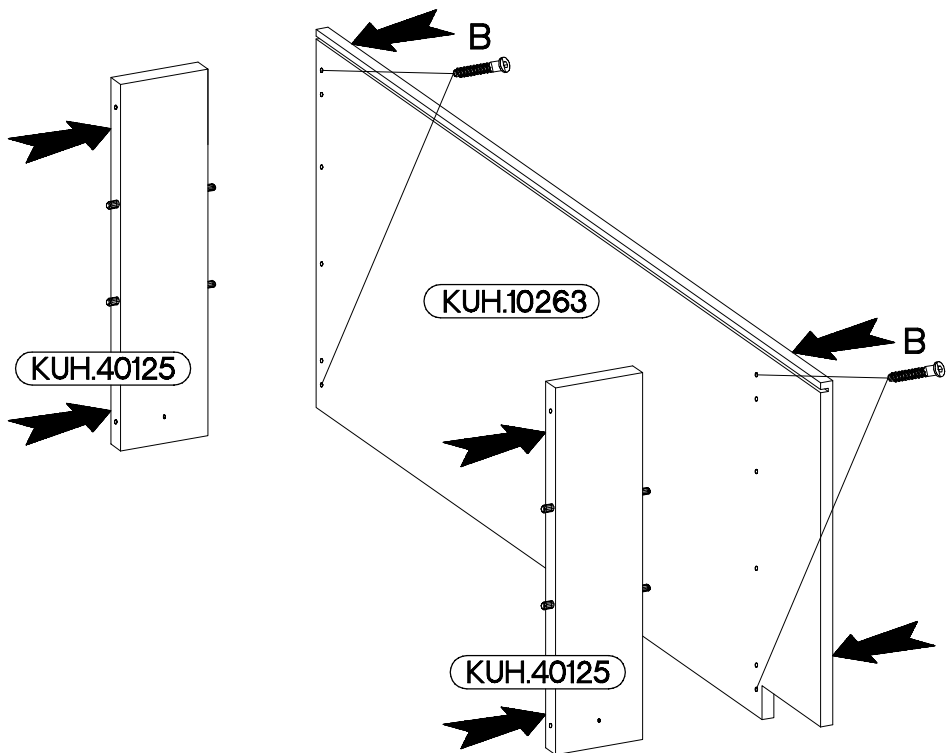
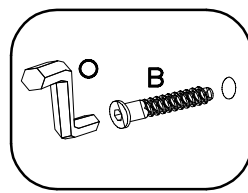
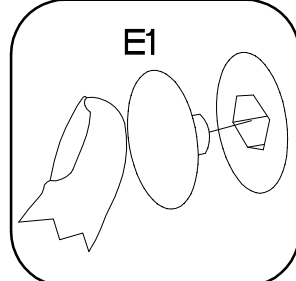
1

6.5x48x16  F2 4	+8x30mm  A 8
--	---


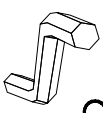



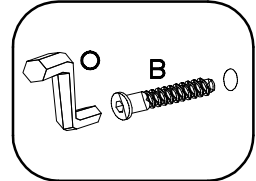
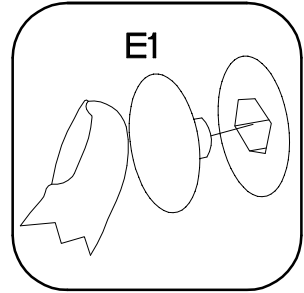
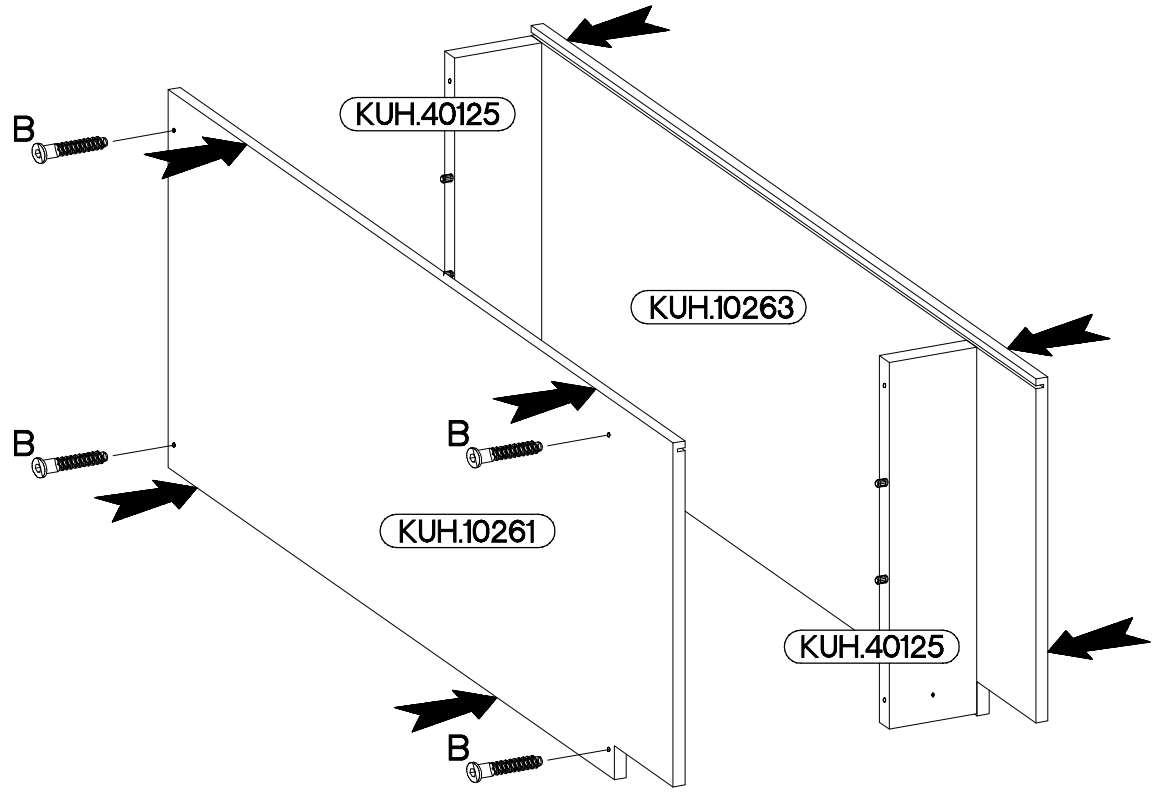
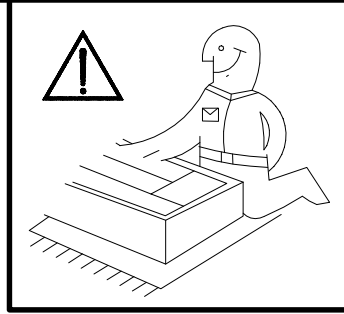
2

6,4 x 50mm  B 4	 O 1	 E1 4
---	---	--




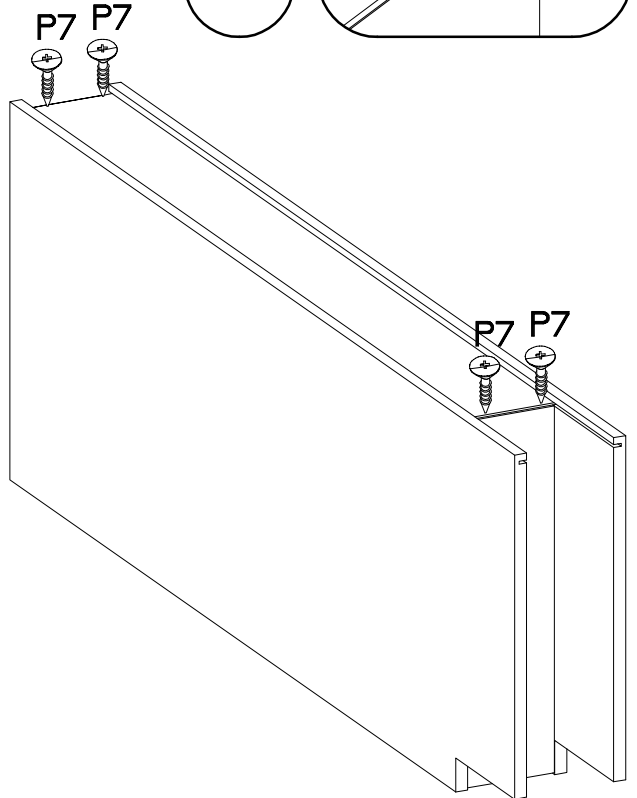
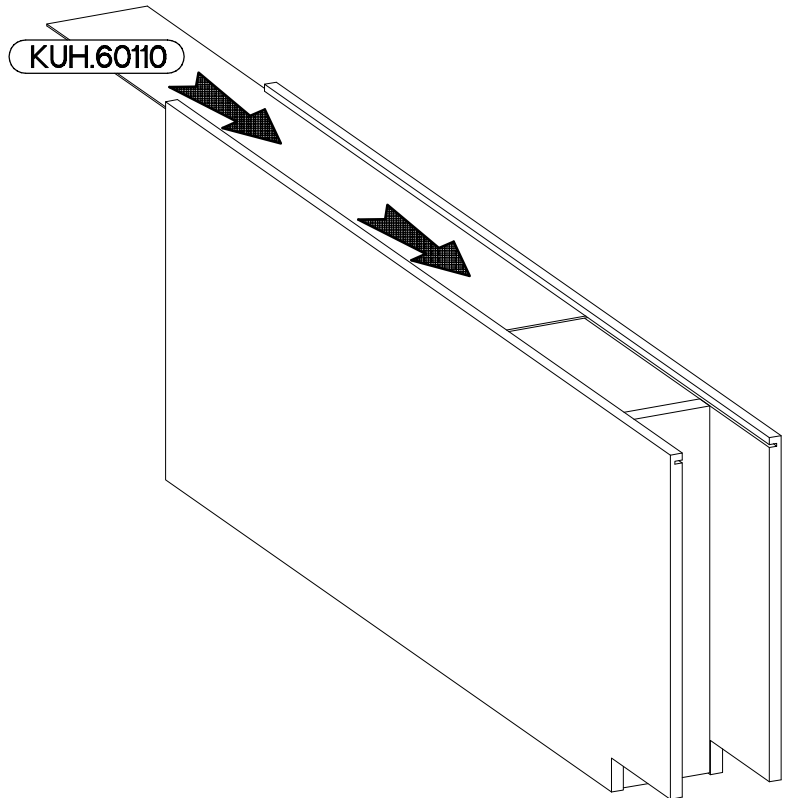
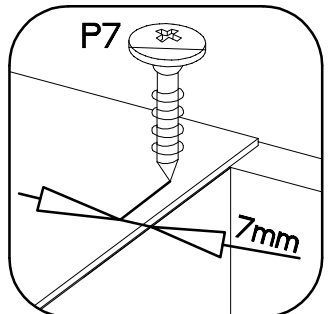
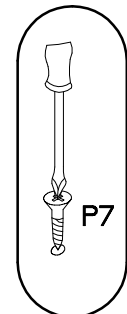
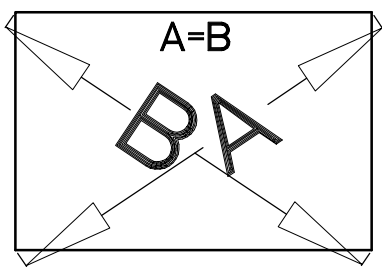
3

6,4 x 50mm			
	B	O	E1
	4	1	4





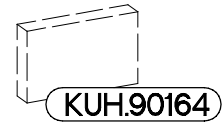
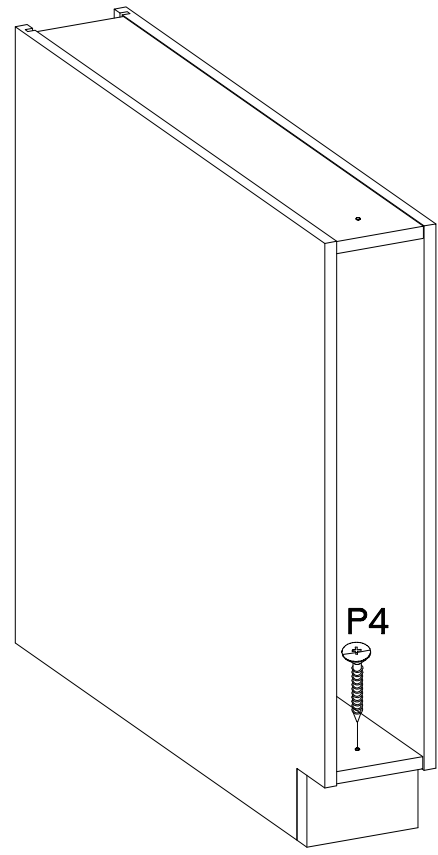
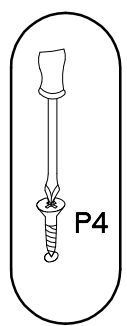
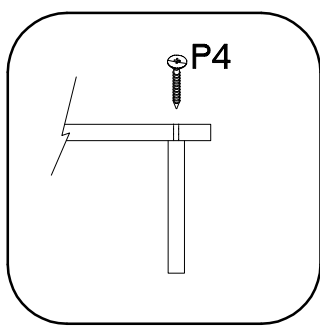
4

3.0x20mm	
	P7
	4




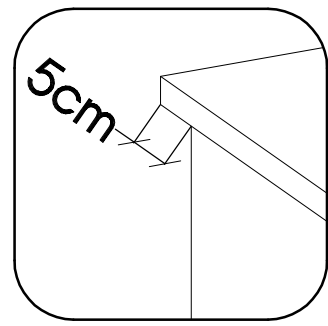
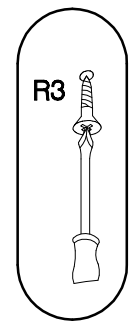
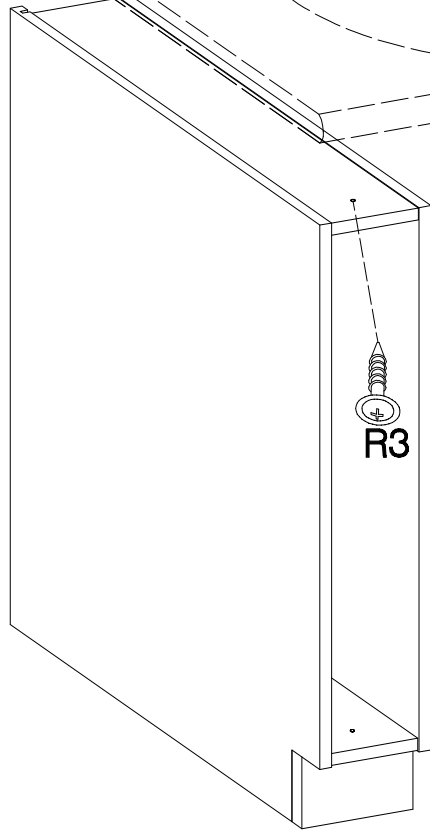
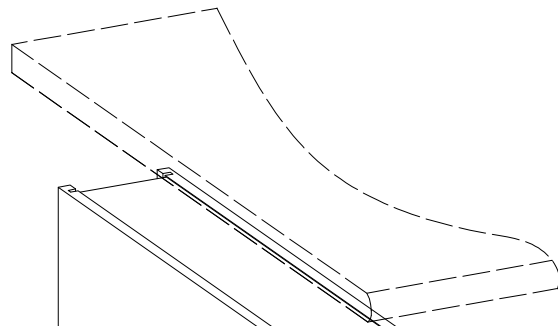
5

4.0x45mm	
	E9
1	1

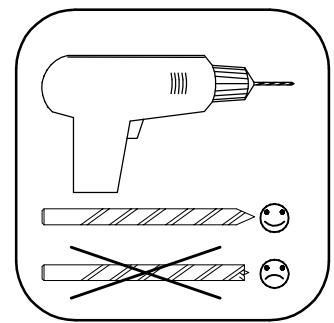
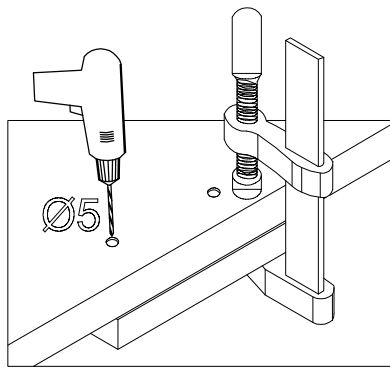
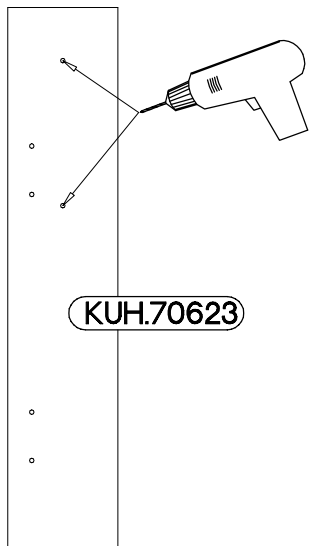


6

4.0x35mm	
R3	
1	



7



8

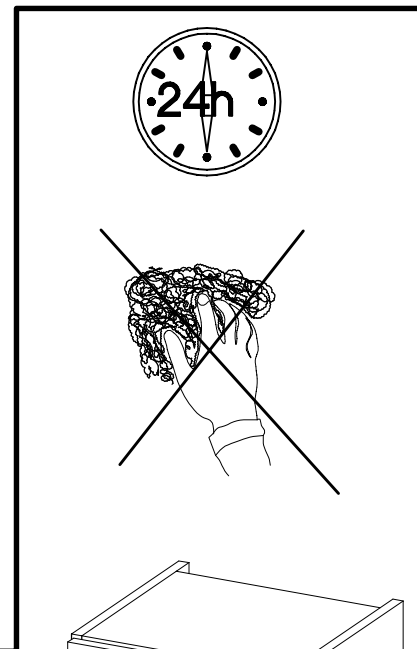
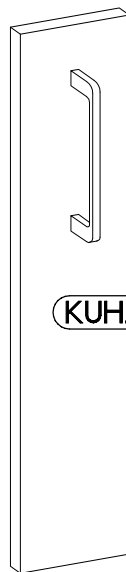
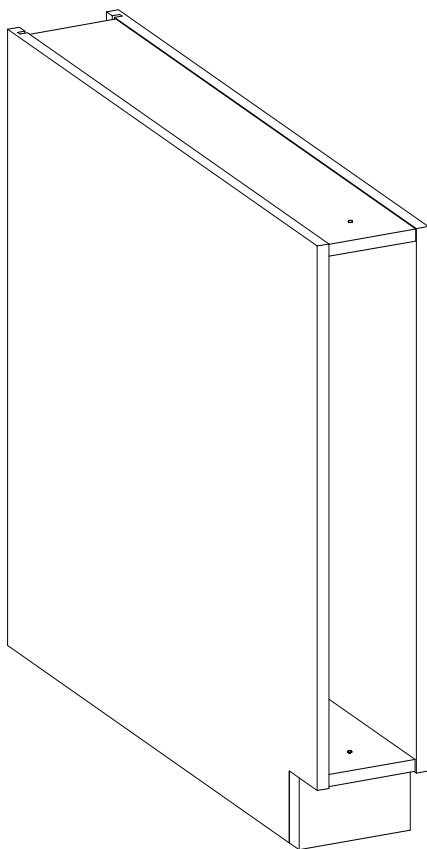
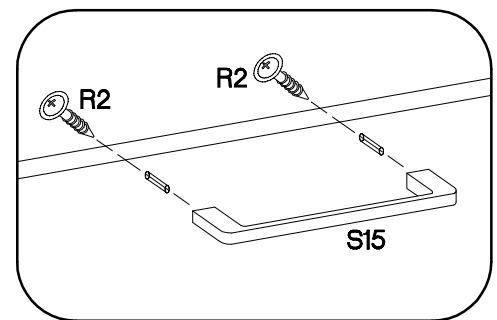
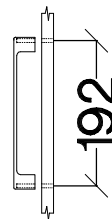
±4.0x30mm



2



1



VARIANT HIGH GLOSS

