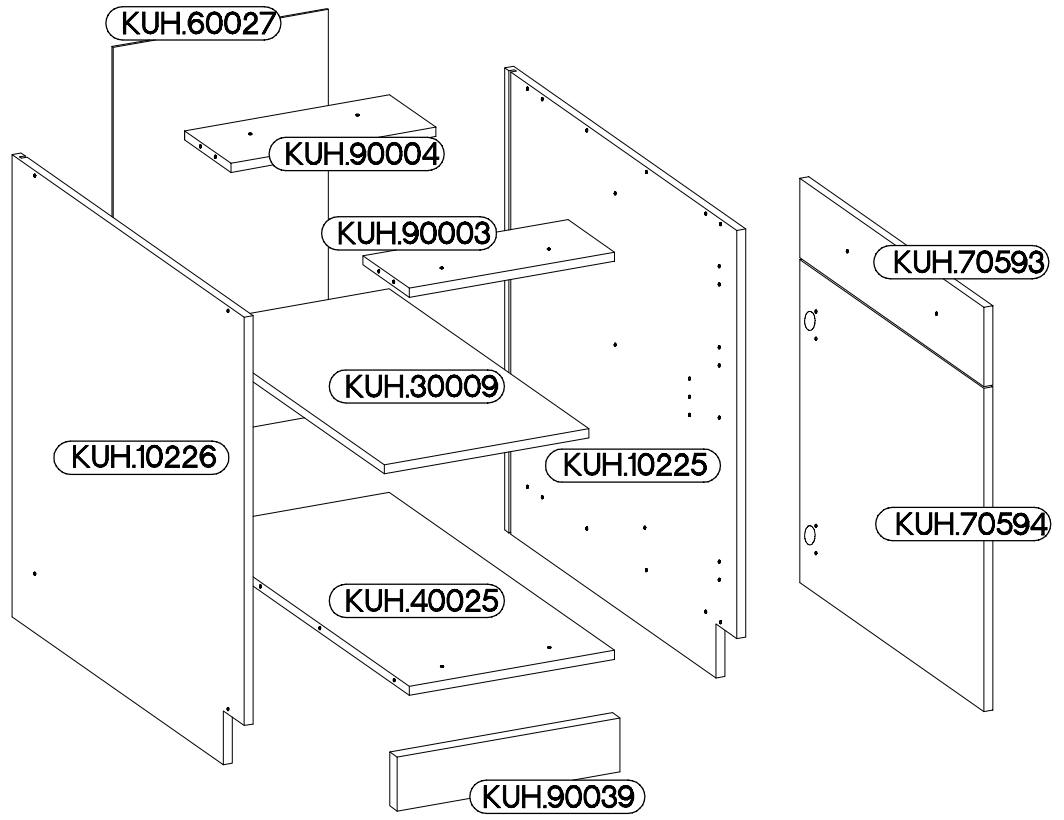
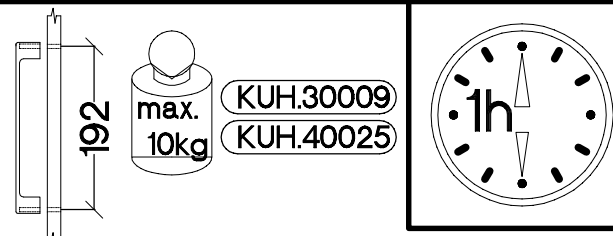
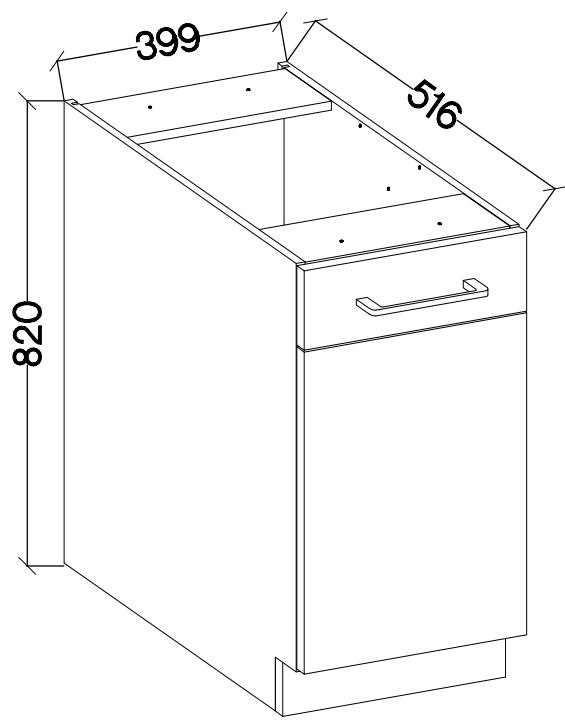
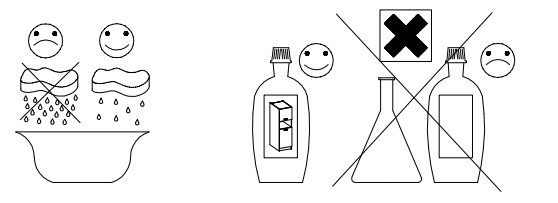
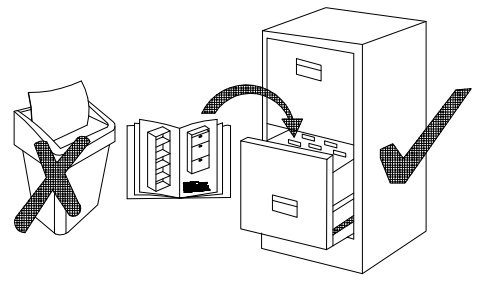


40 D 1F BB

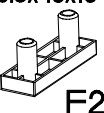
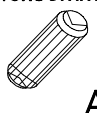


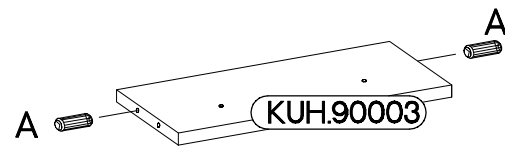
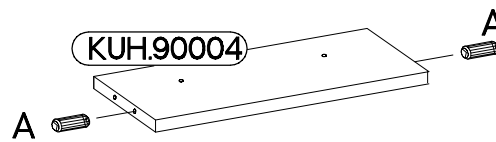
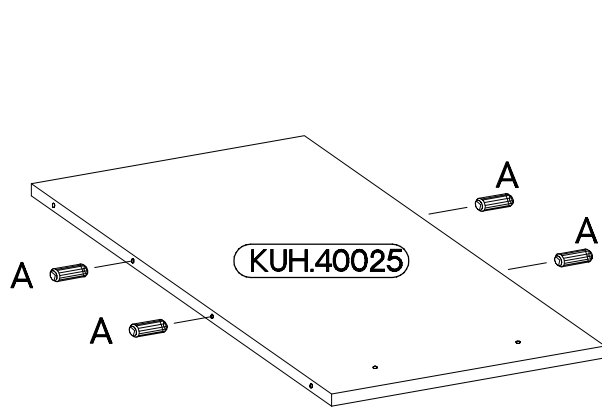
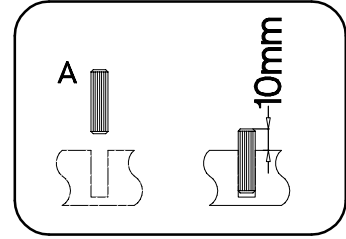
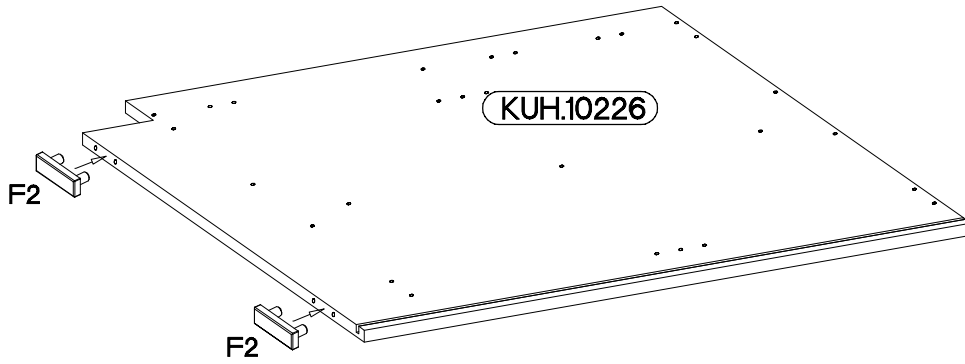
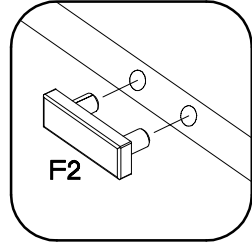
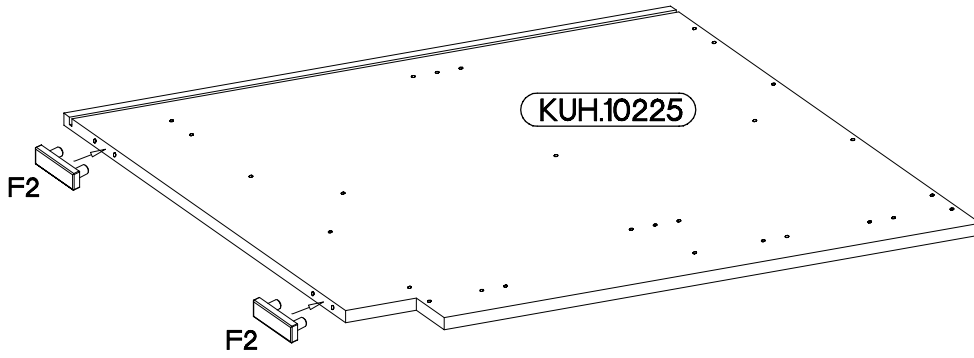
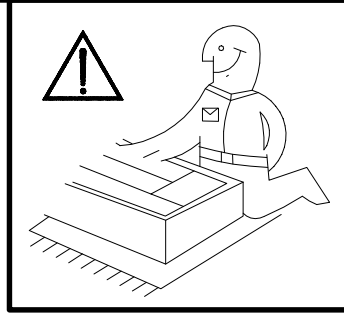
A	B	E1	E9	F2	HG	J	K28
8	8	8	2	4	2	4	2
K29	O	P4	P5	P7	R2	R3	S15
1	1	2	8	8-10	2	4	1



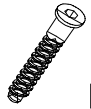
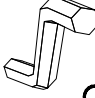

ISM-KUH-00999

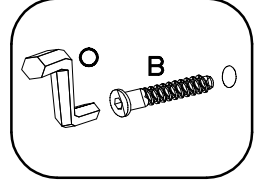
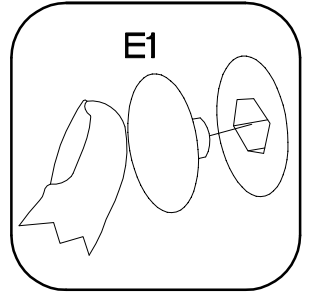
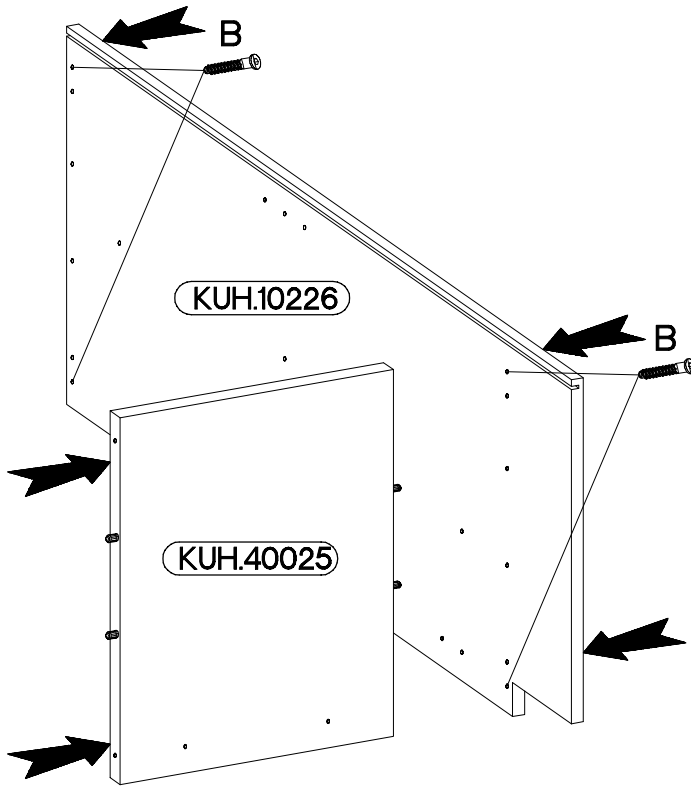
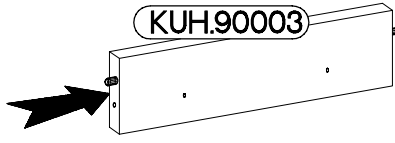
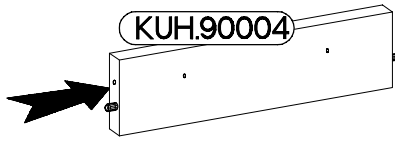
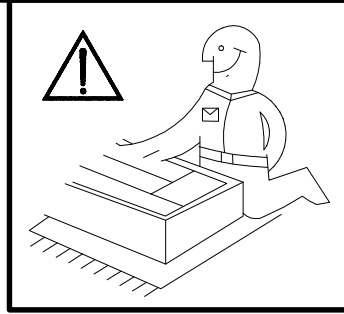
1

6.5x48x16  F2 4	+8x30mm  A 8
--	---

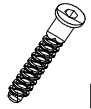




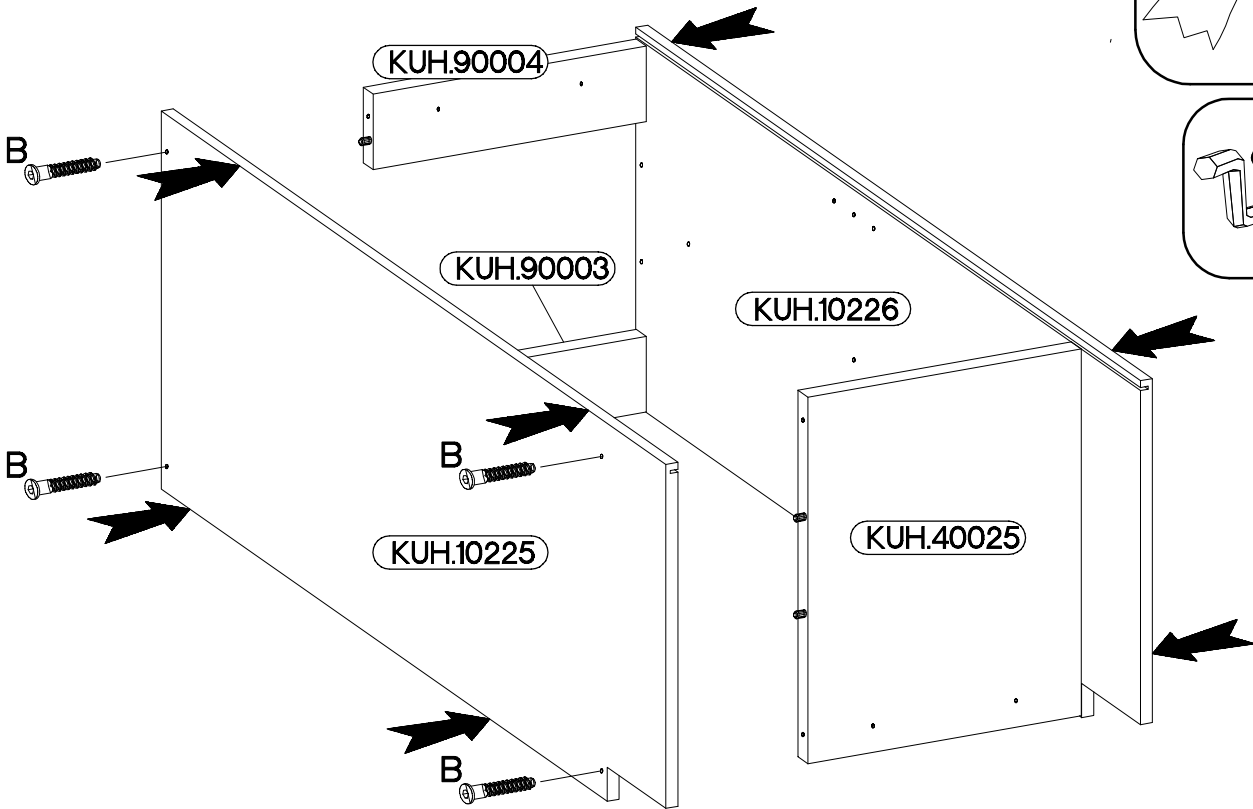
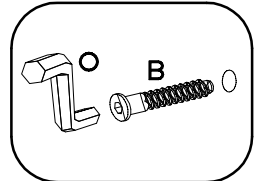
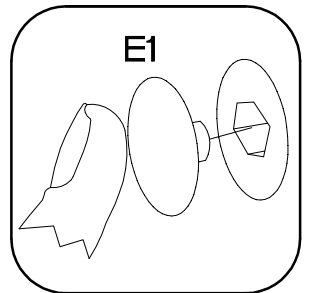
2

6,4 x 50mm		
		
B	O	E1
4	1	4

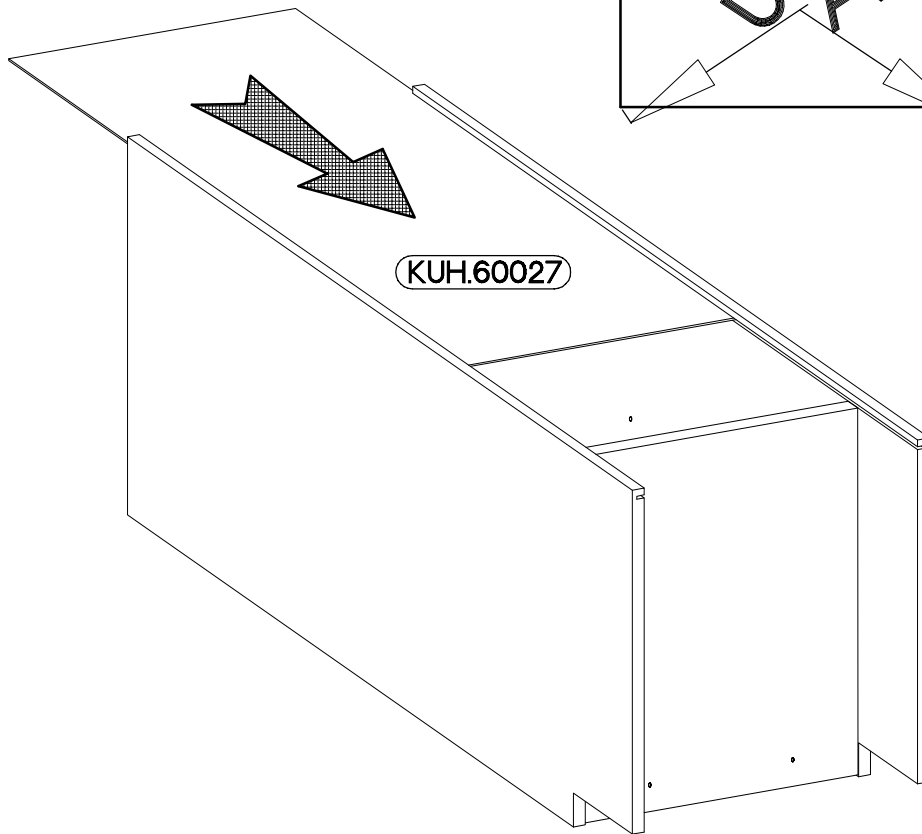
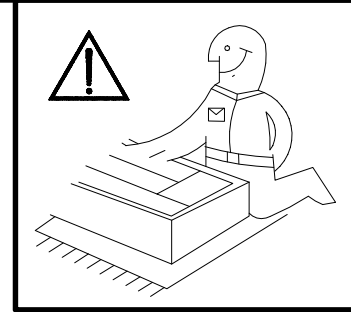
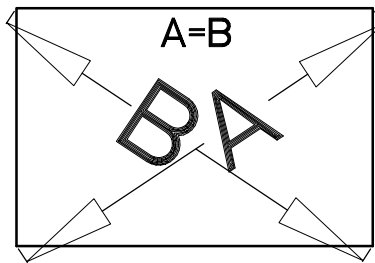


3

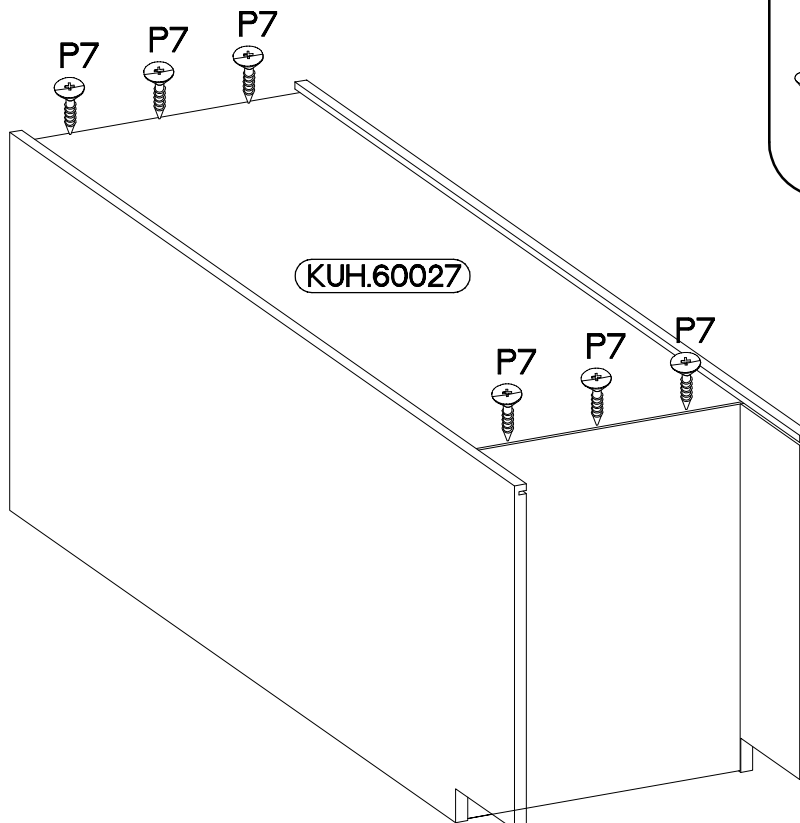
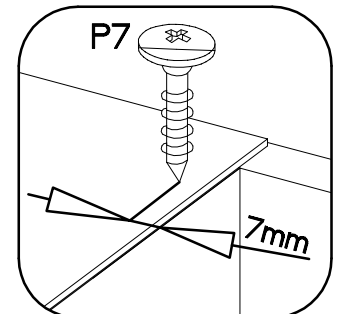
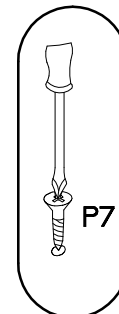
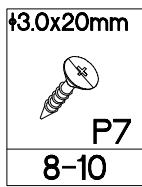
6,4 x 50mm		
		
B	O	E1
4	1	4





4

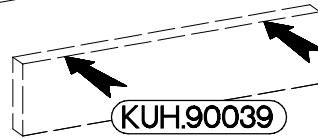
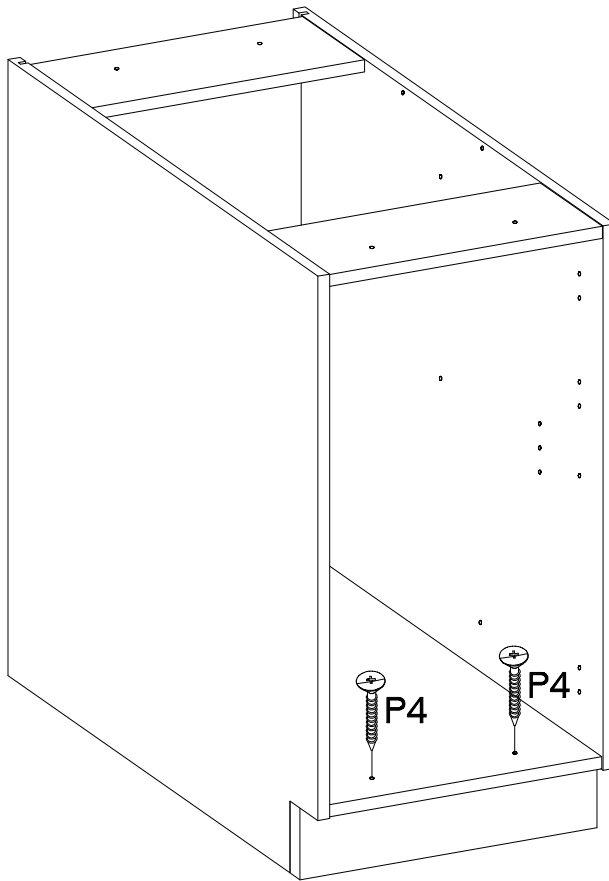
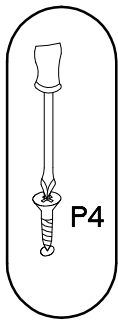
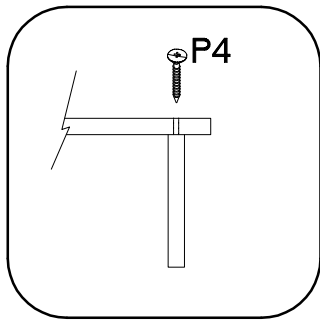


5

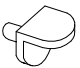


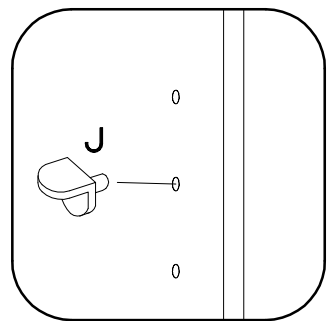
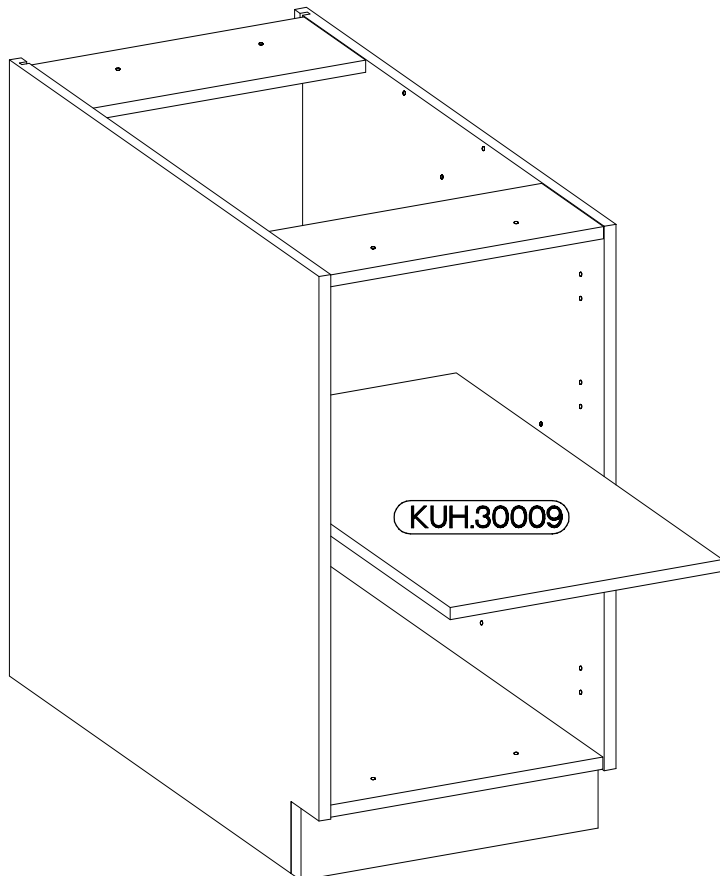
6

$\pm 4.0 \times 45 \text{mm}$  P4 2	 E9 2
--	---

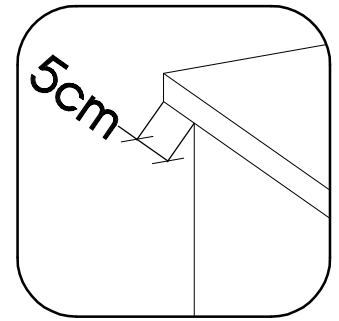
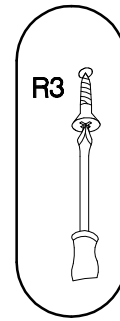
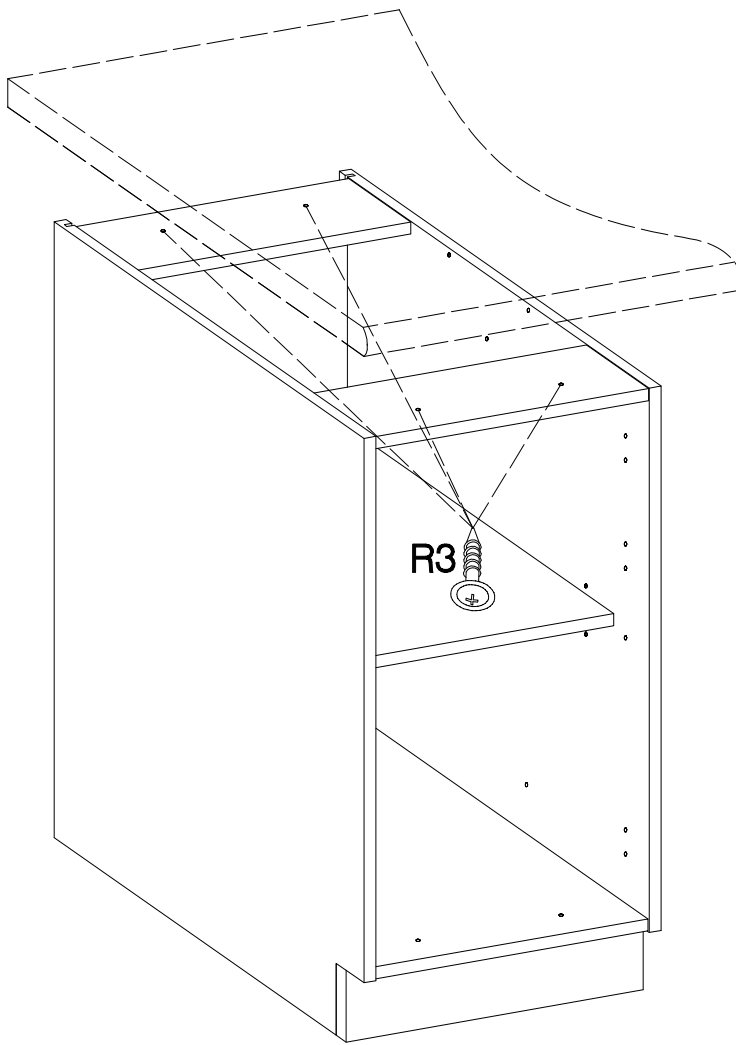
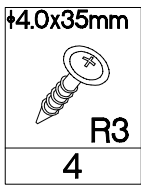


7

$\pm 5 / 19 \text{mm}$  J 4

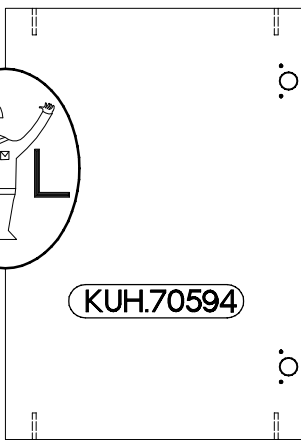
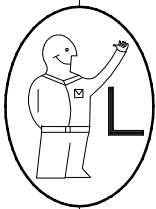
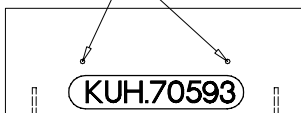
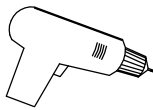


8

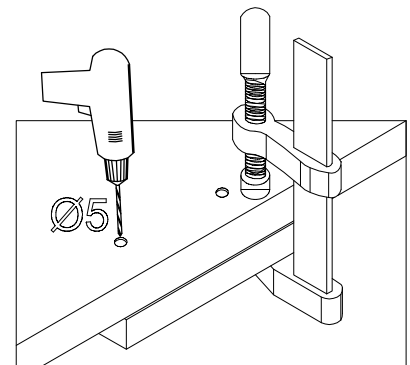
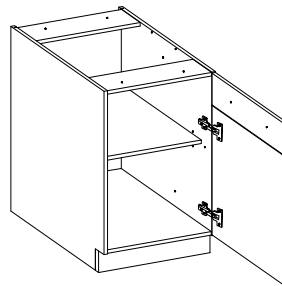
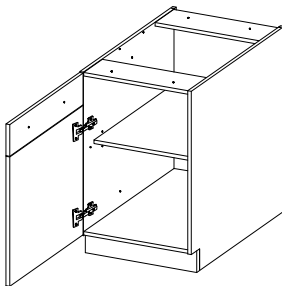
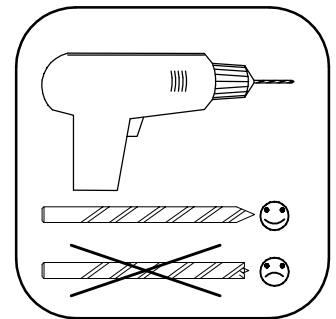
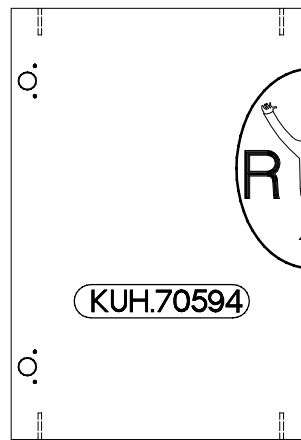
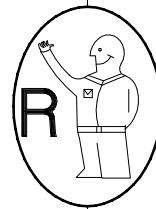
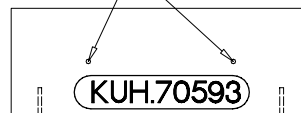
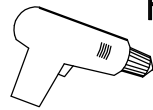


9

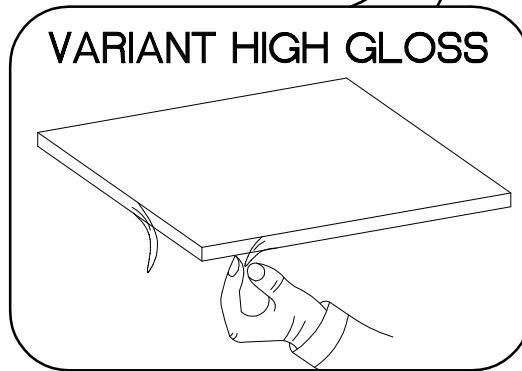
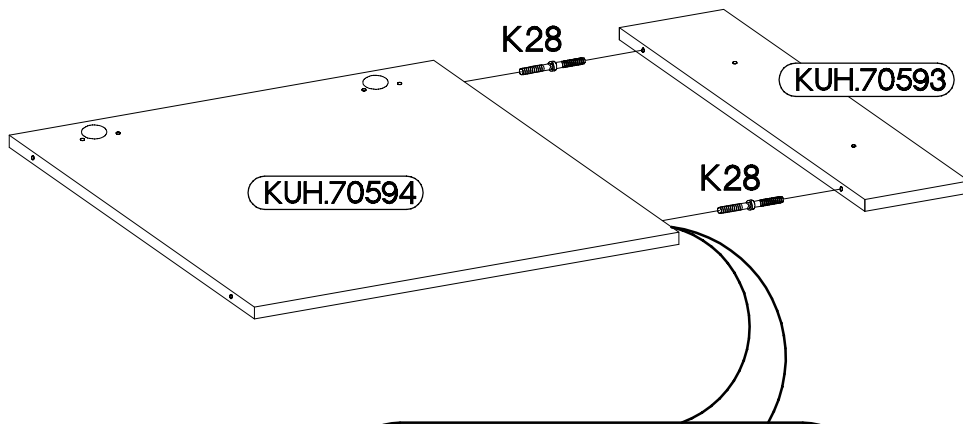
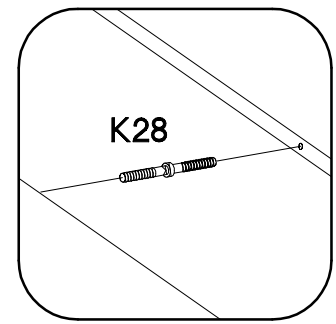
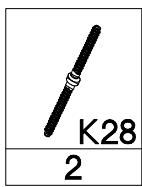
LEFT



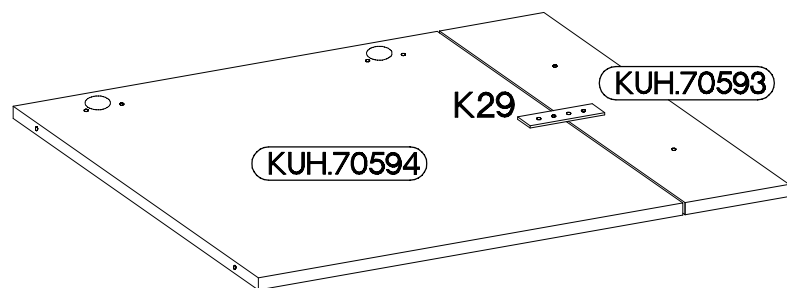
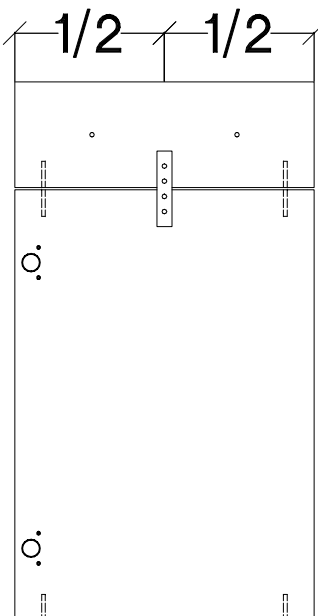
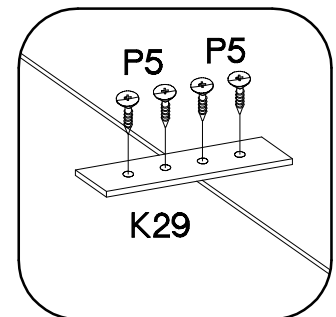
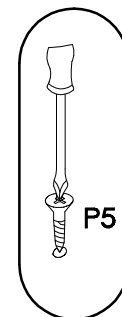
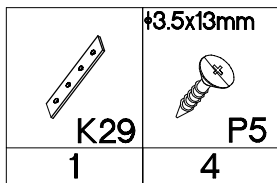
RIGHT



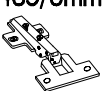

10

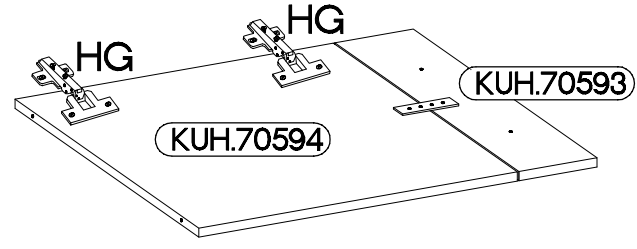
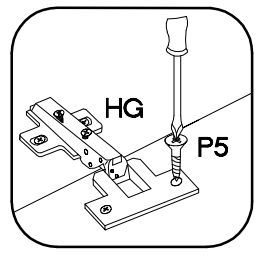
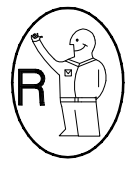


11





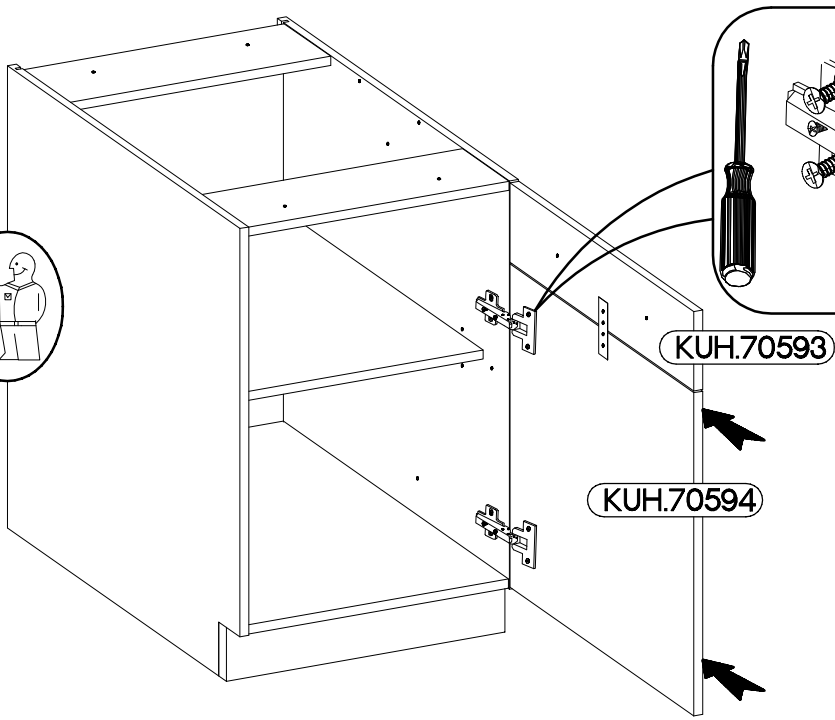
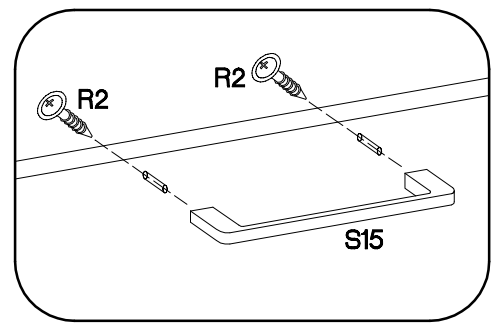
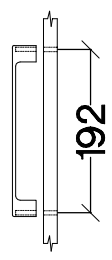
12

±35/0mm	±3.5x13mm
	
HG	P5
2	4



13

±4.0x30mm	
	
R2	S15
2	1



VARIANT HIGH GLOSS

