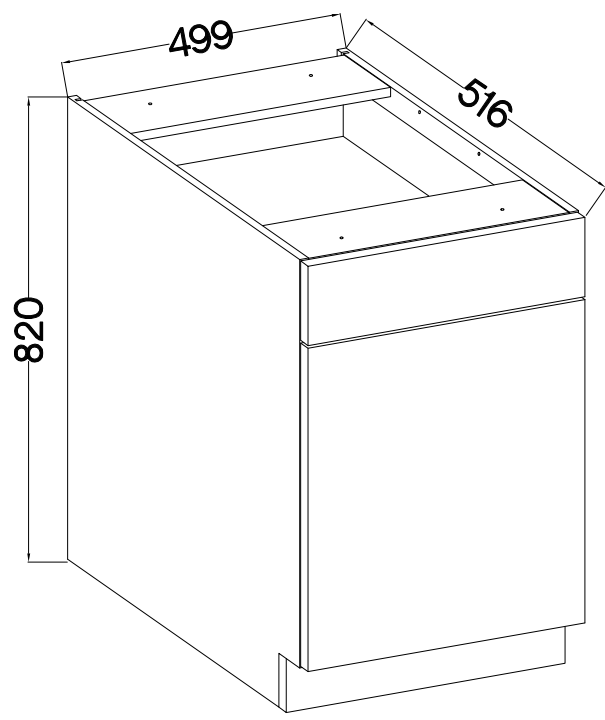
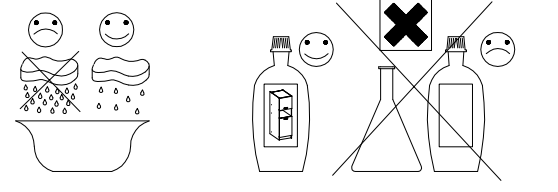
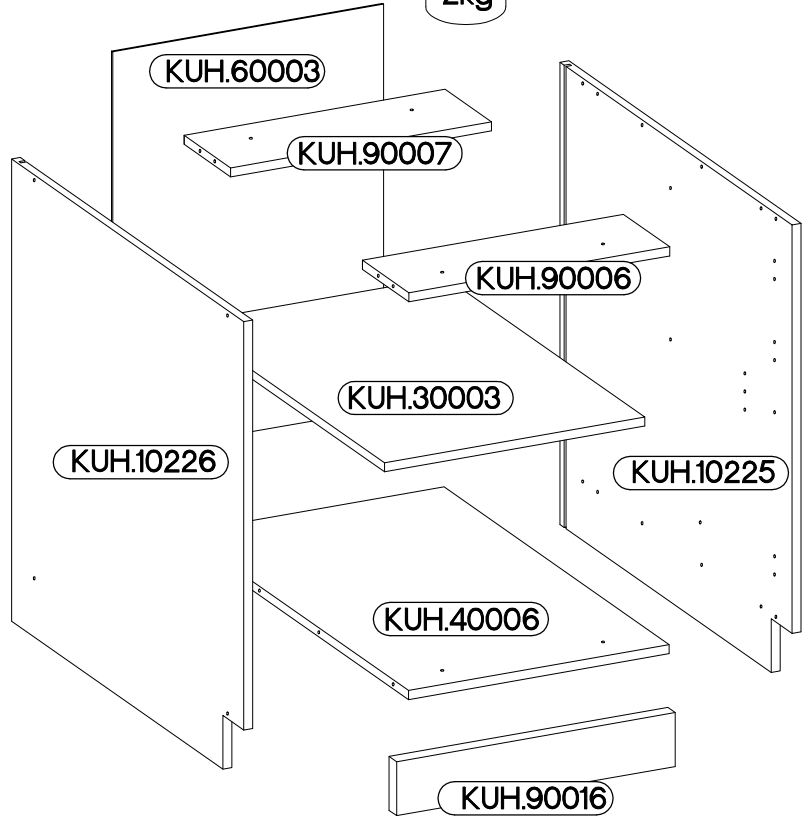
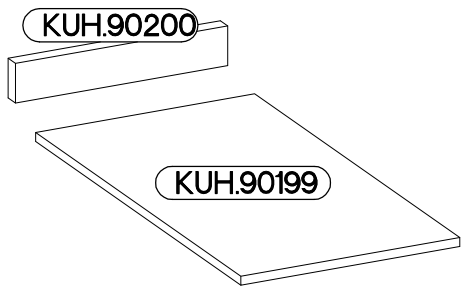


50 D 1F 1S BB

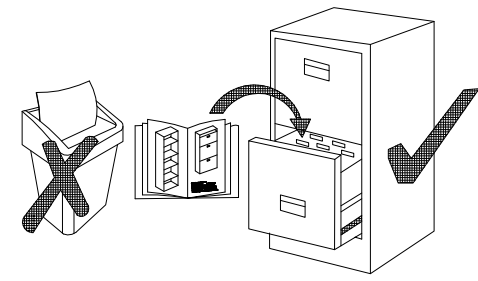


max. 10kg KUH.30003  
KUH.40006

max. 2kg KUH.90199

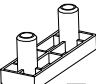
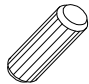


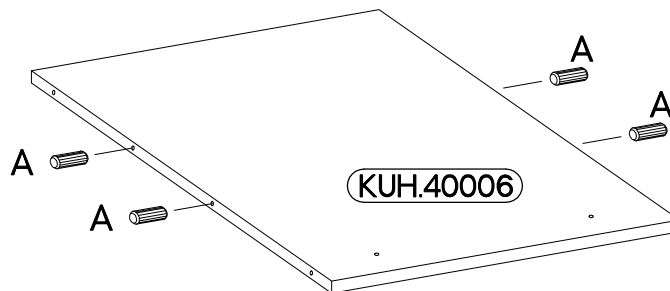
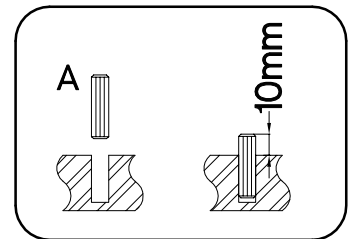
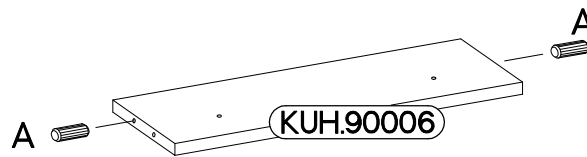
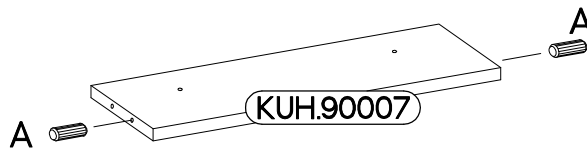
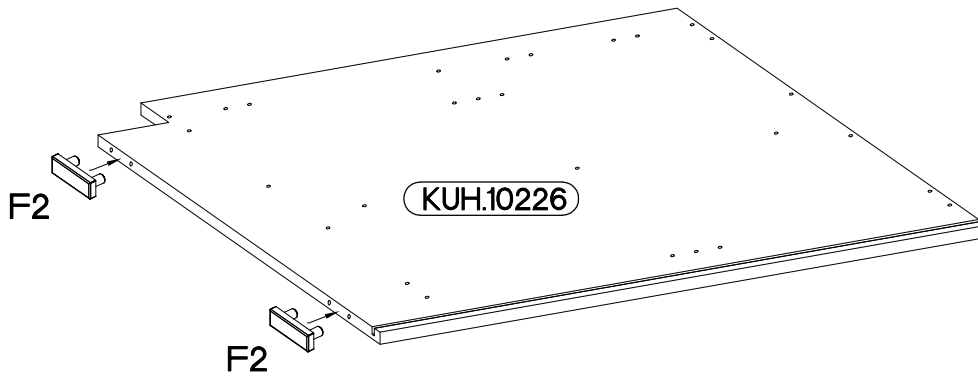
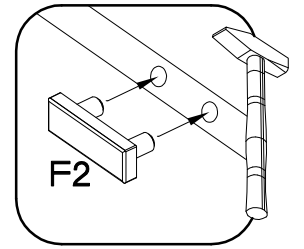
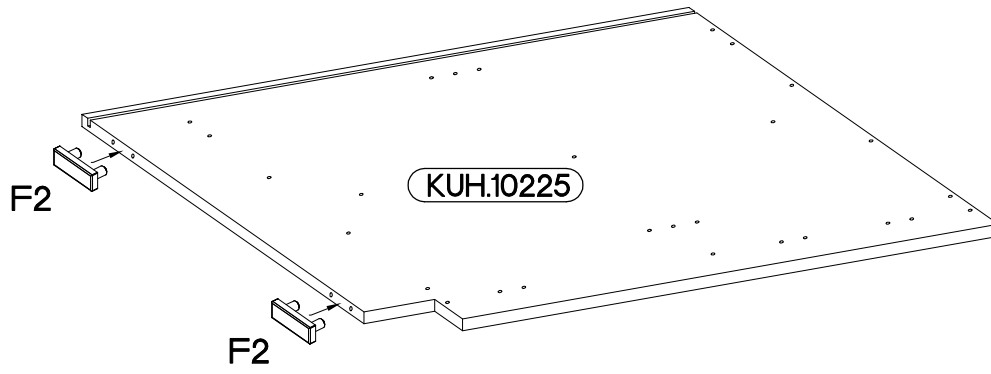
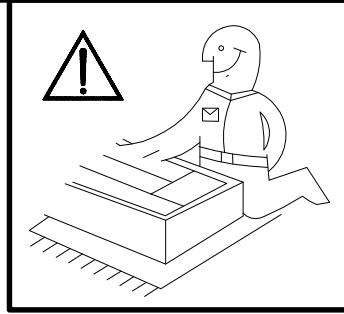
+8x30mm  A	6,4 x 50mm  B	 E1	 E9	6.5x48x16  F2	+35/0mm  HG	
8	8	8	2	4	2	
+5/19mm  J	+6.3x13mm  M3	 O	+4.0x16mm  P1	+4.0x45mm  P4	+3.5x13mm  P5	+3.0x20mm  P7
4	4	1	8	2	12	8-10
+4.0x35mm  R3	 11A	 11C	 11D	 11E	 11G	
4	1	1	1	2	2	



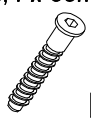
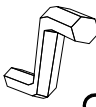

ISM-KUH-01124

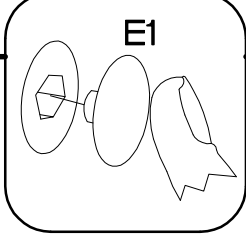
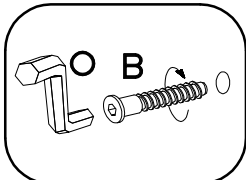
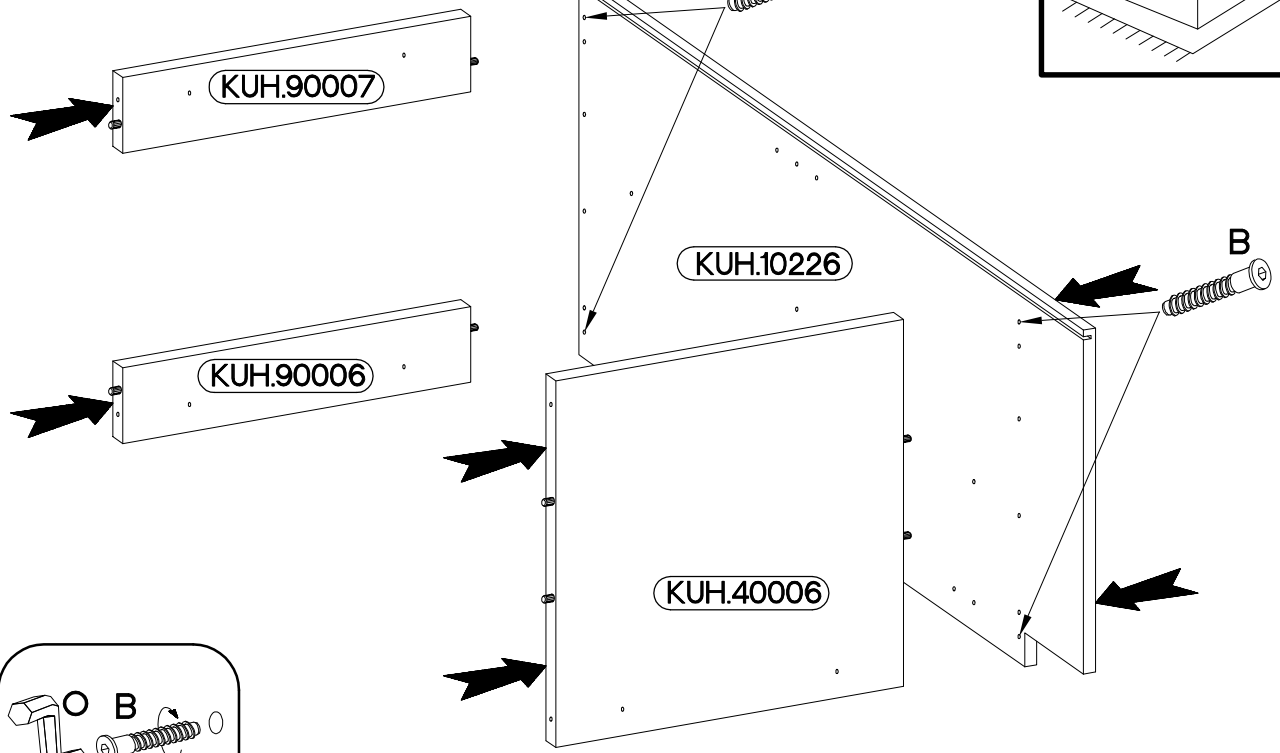
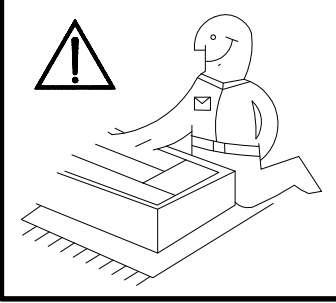
1

6.5x48x16  F2 4	+8x30mm  A 8
--	---

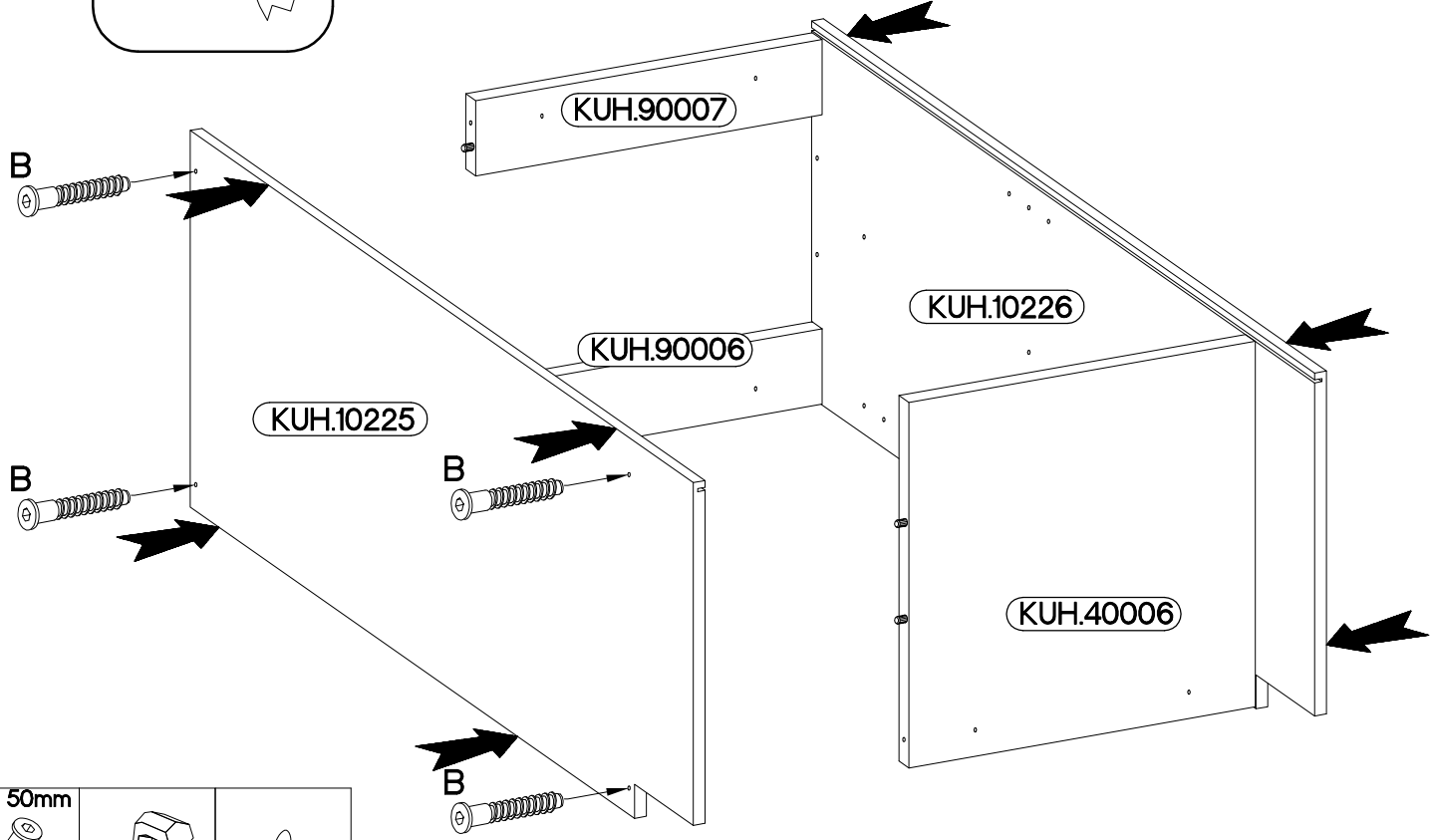





2

6,4 x 50mm		
		
<b>B</b>	<b>O</b>	<b>E1</b>
4	1	4

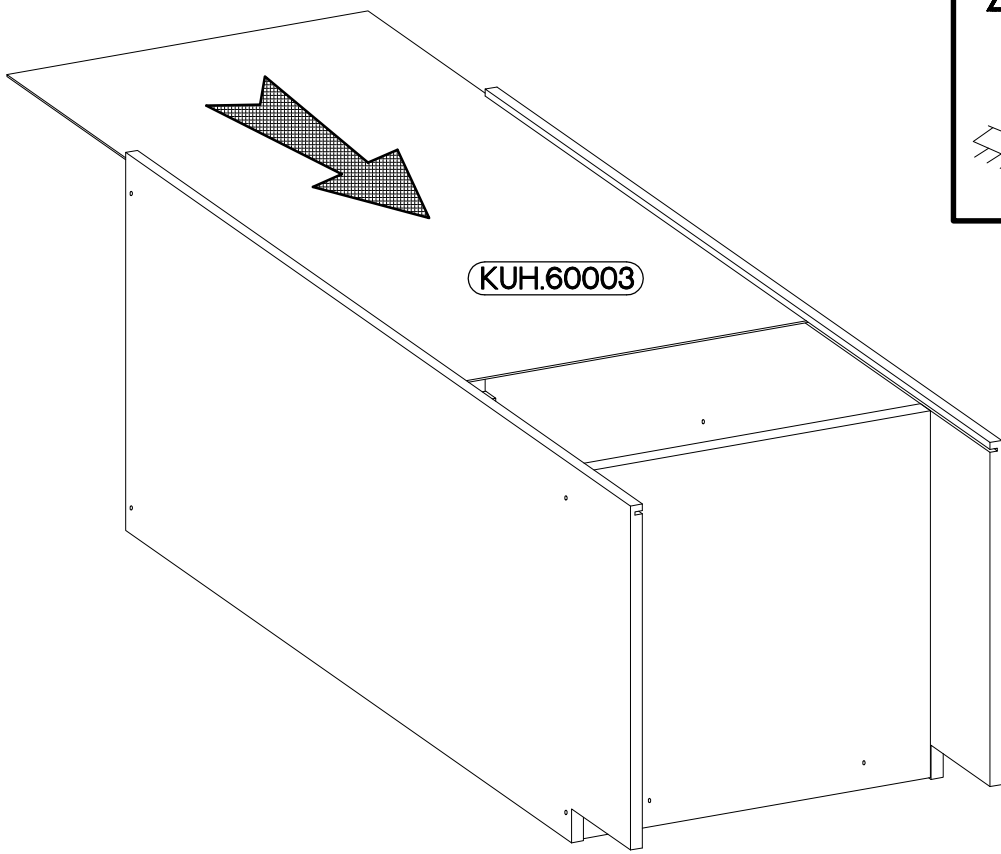
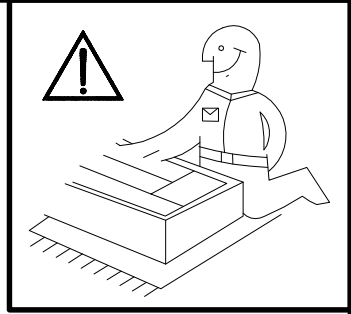


3

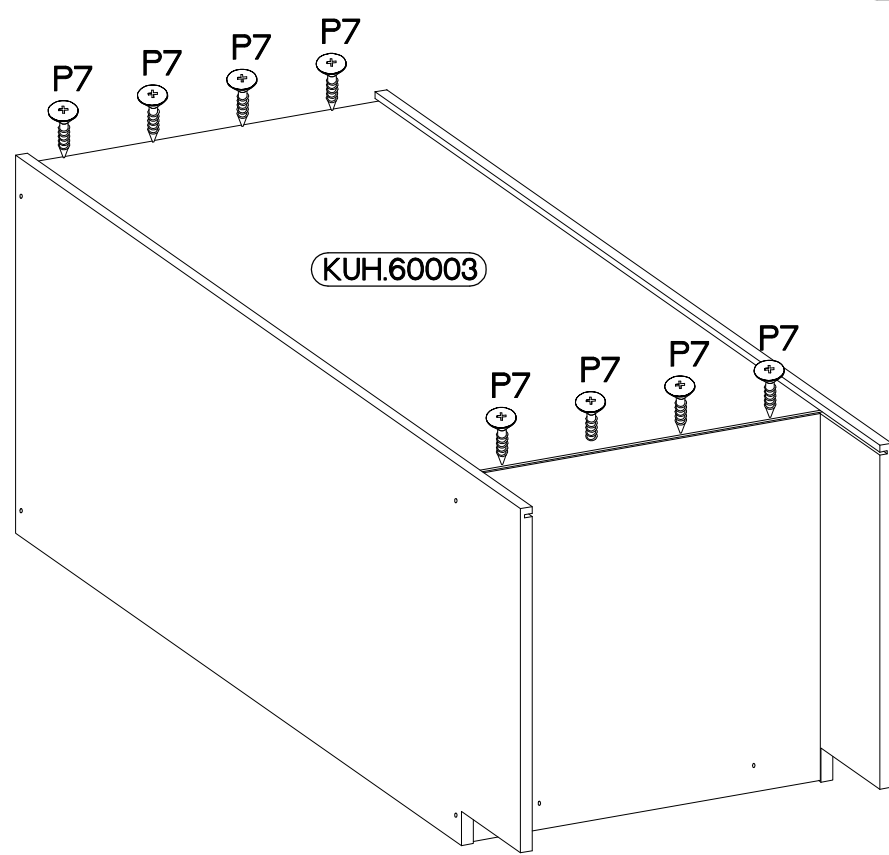
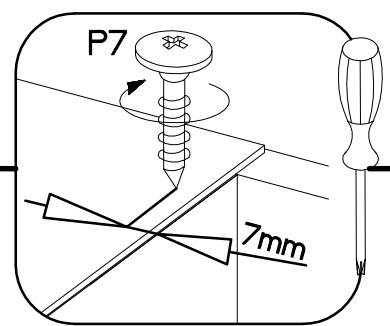
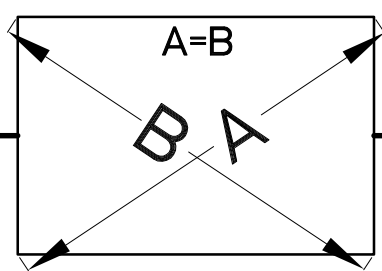
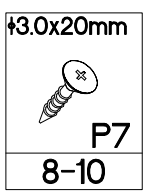


6,4 x 50mm		
		
<b>B</b>	<b>O</b>	<b>E1</b>
4	1	4

4



5



6

4.0x45mm



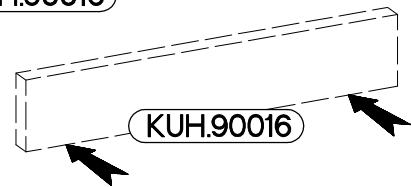
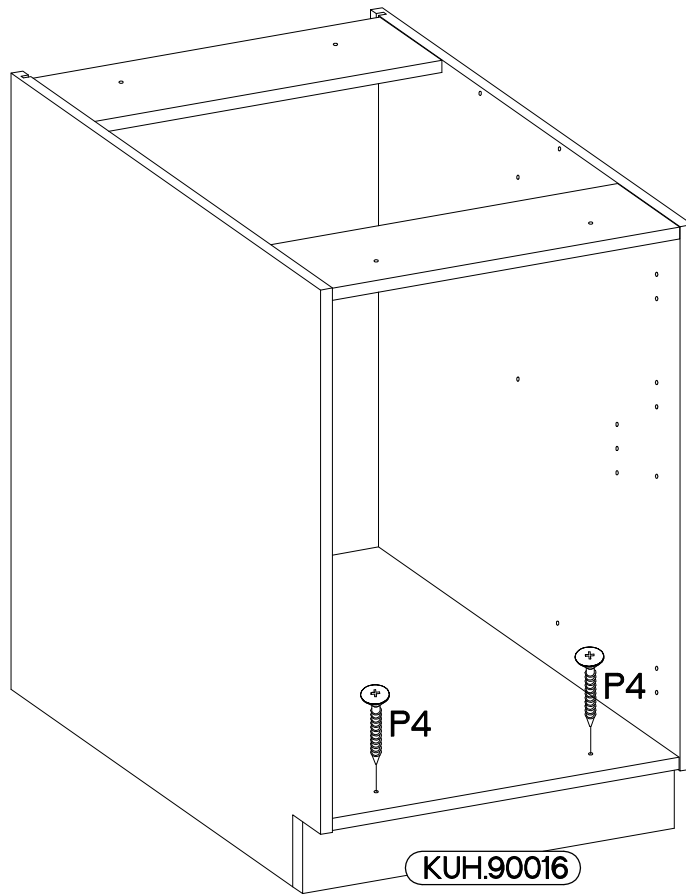
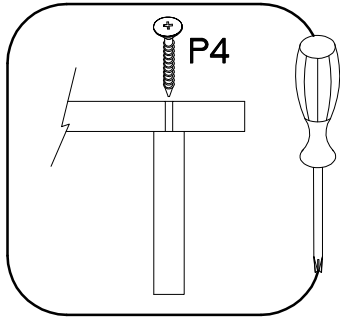
P4

2



E9

2



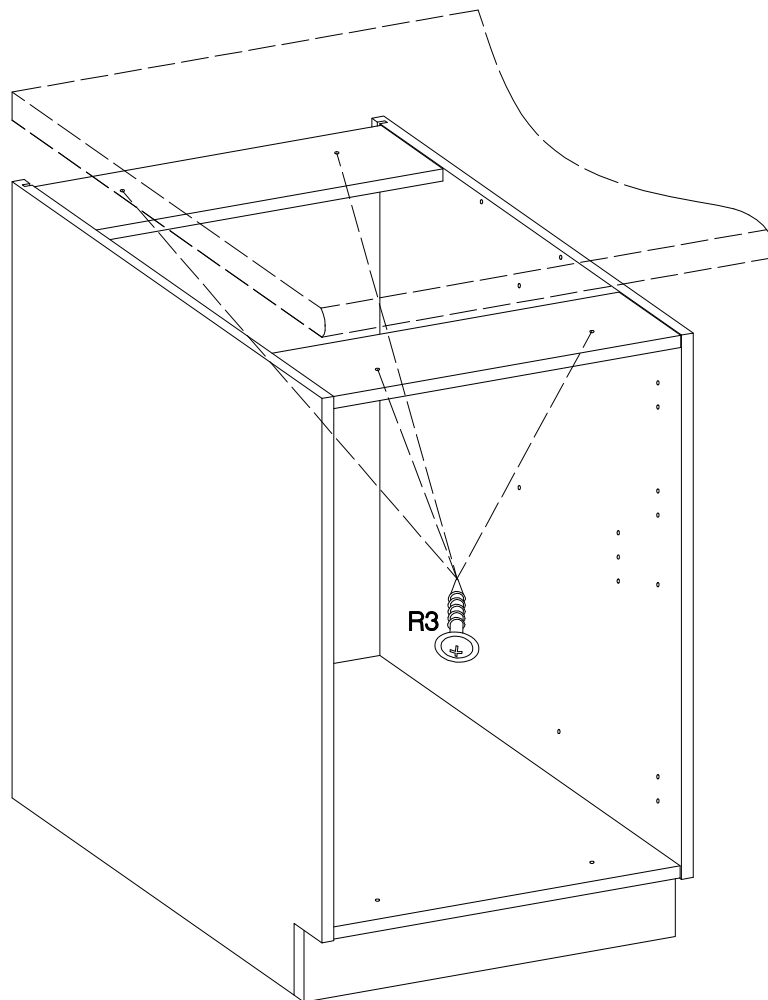
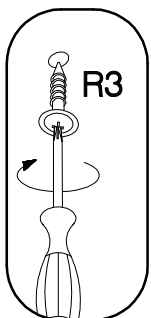
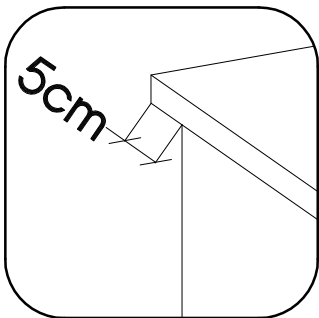
7

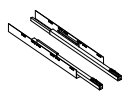


4.0x35mm

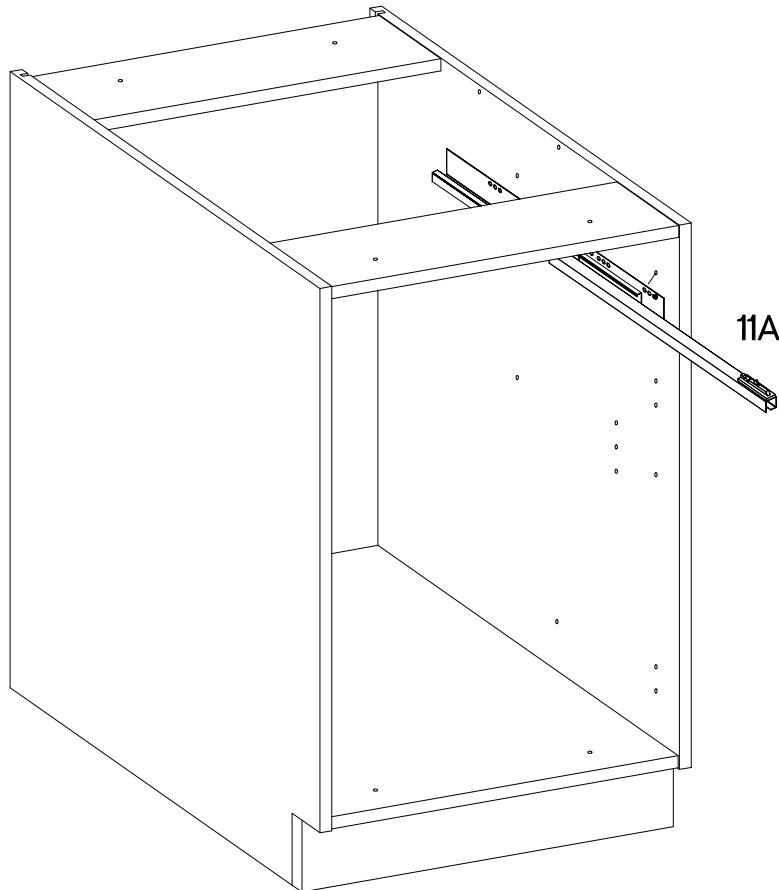
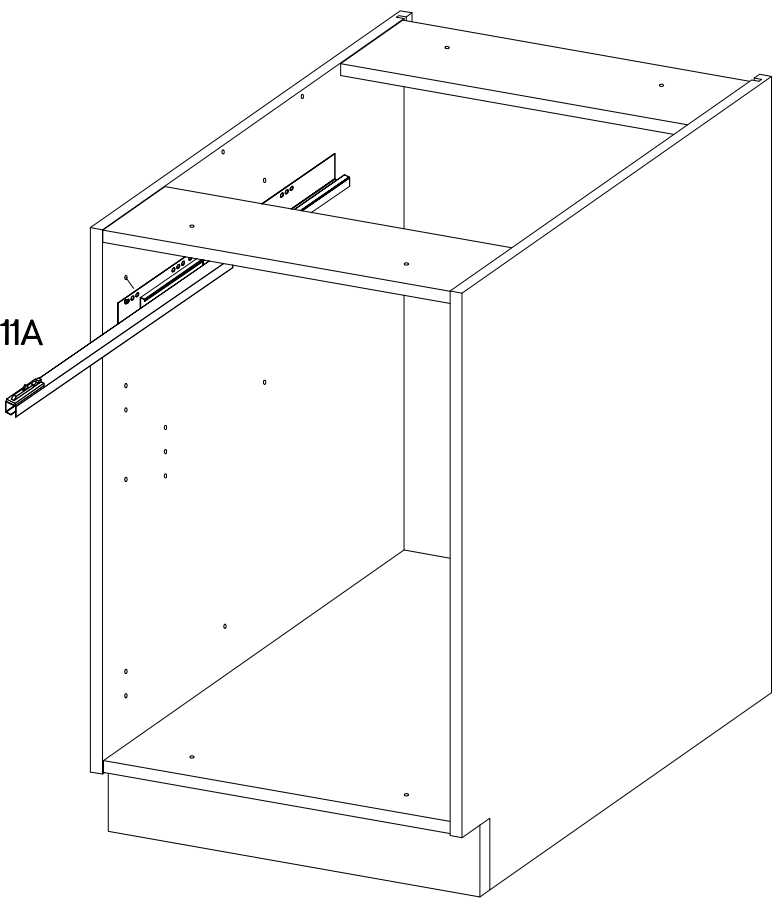
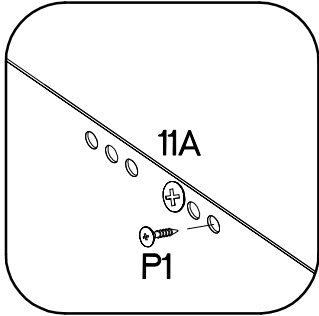
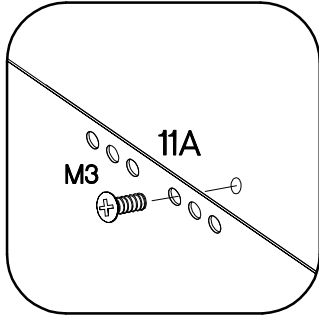
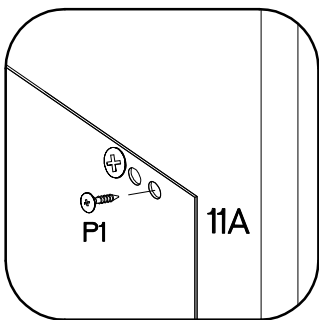
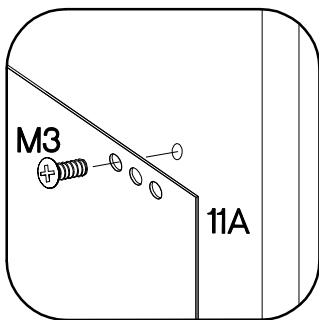
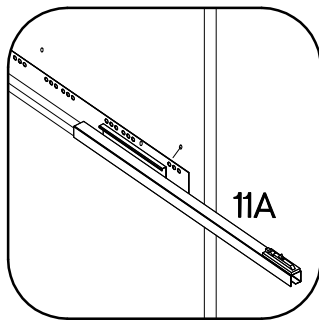


R3

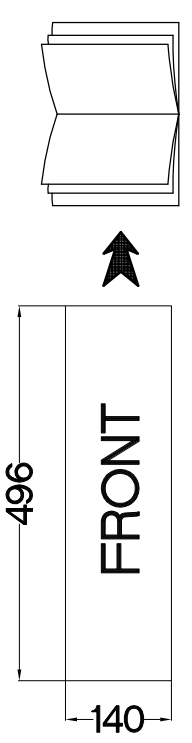
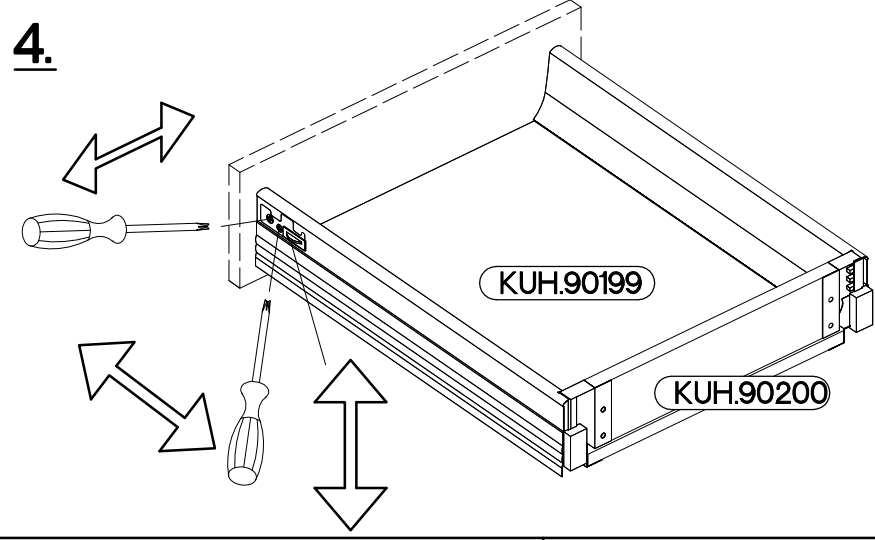
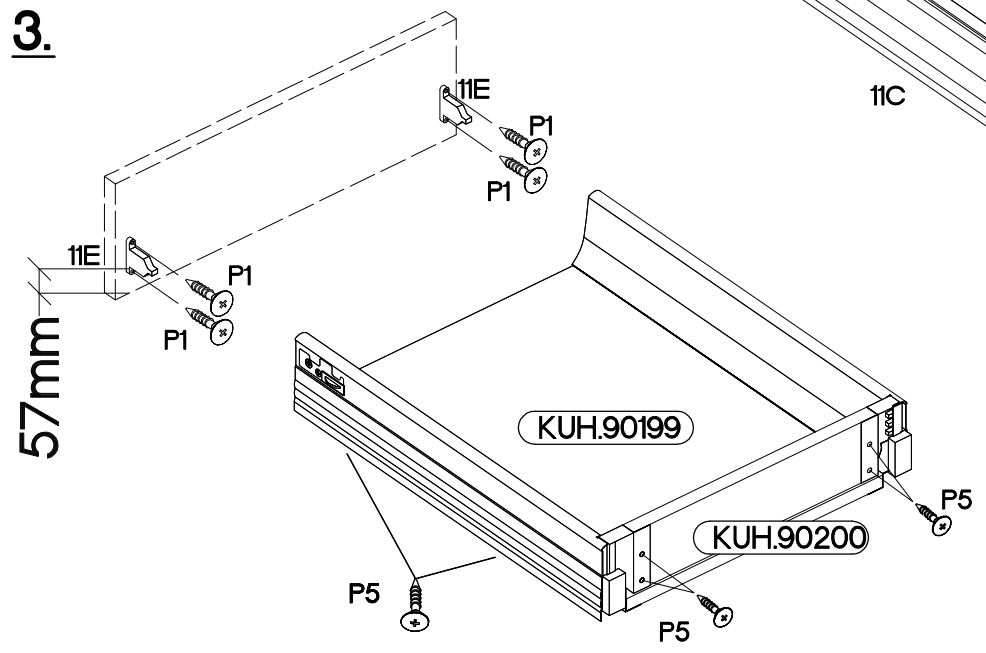
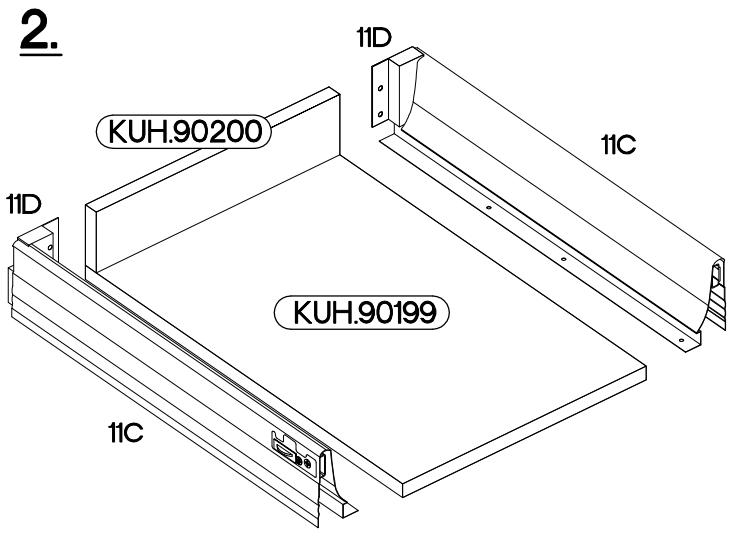
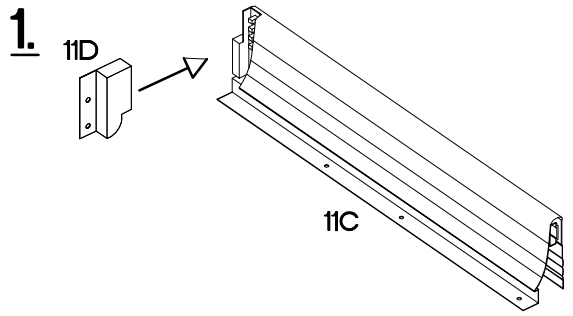
4



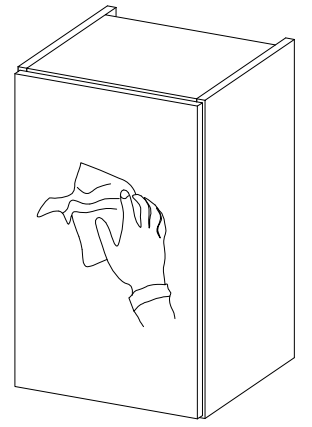
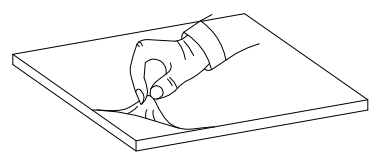
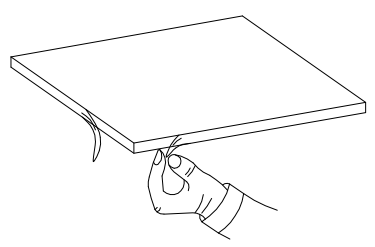
 11A	 +6.3x13mm M3	 +4.0x16mm P1
1	4	4



			$\pm 4.0 \times 16 \text{mm}$ 	$\pm 3.5 \times 13 \text{mm}$ 	
11D	11C	11E	P1	P5	11G
1	1	2	4	8	2

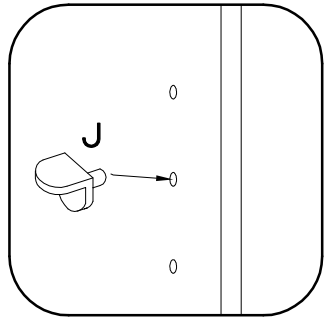
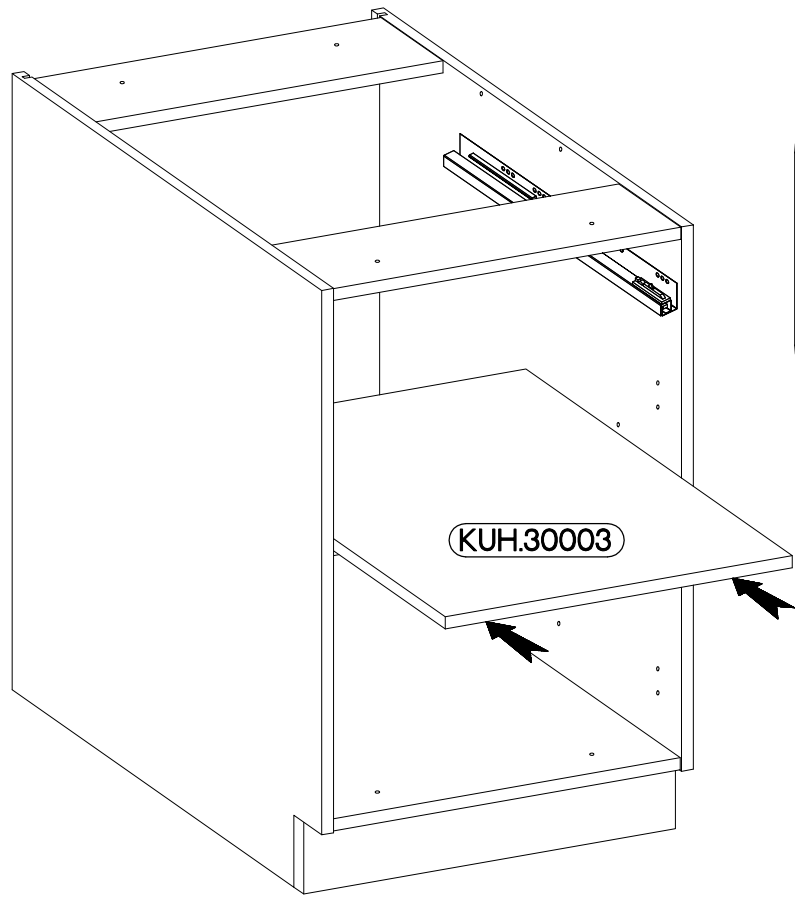


VARIANT HIGH GLOSS



10

±5/19mm  
J  
4



11

FRONT

