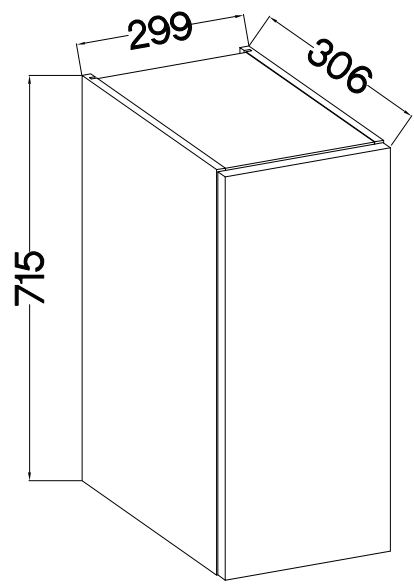
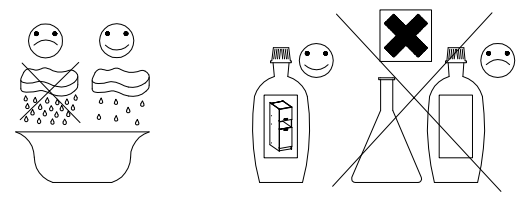
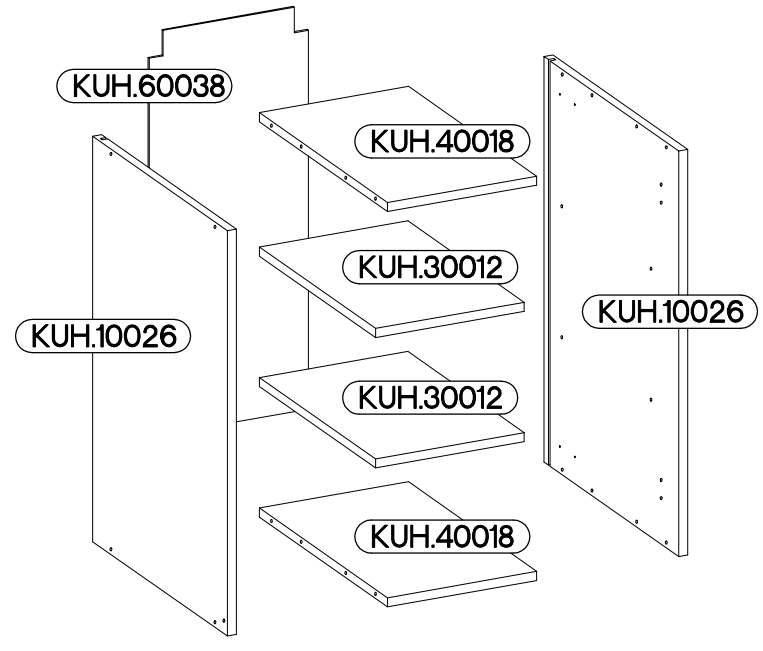
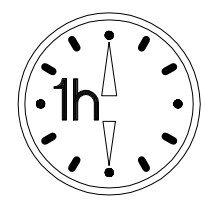


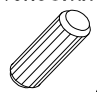
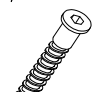

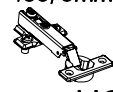

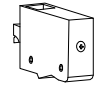
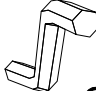


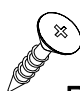
Ø10mm
30 G-72 1F

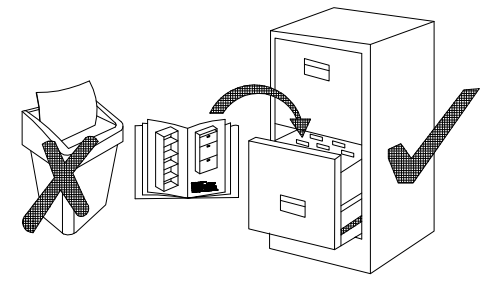


max.
5kg

KUH.30012
KUH.40018

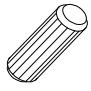
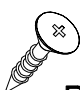
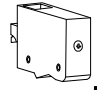


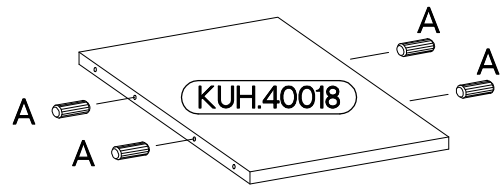
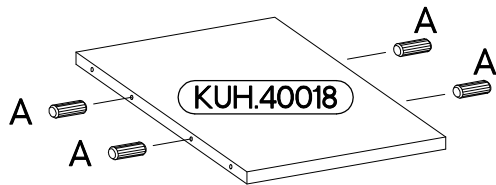
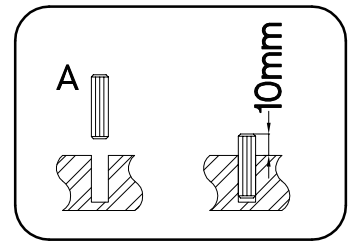
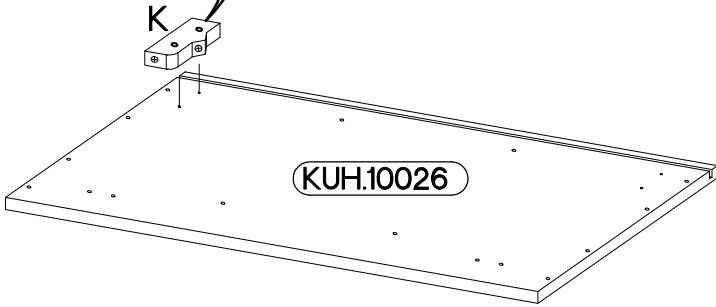
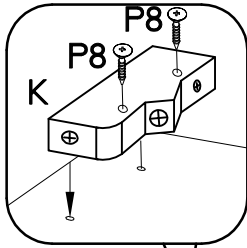
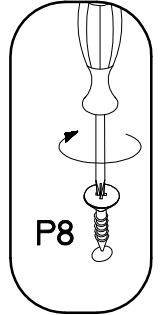
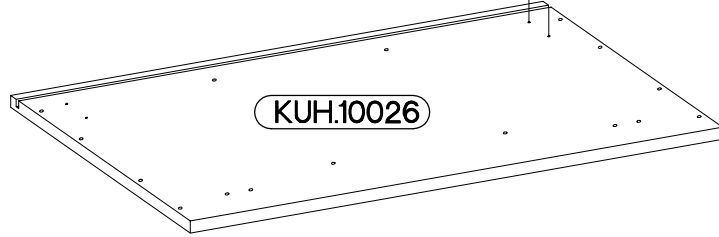
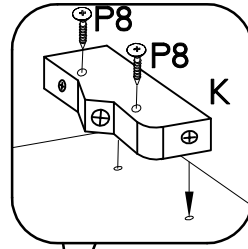
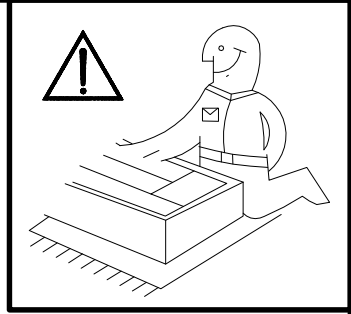
 †8x30mm A	 6,4 x 50mm B	 E1	 †35/0mm HG		
8	8	8	2		
 J	 K	 O	 †3.5x13mm P5	 †3.0x20mm P7	 †4.0x30mm P8
8	2	1	4	8-10	4



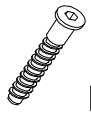
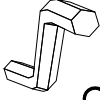

ISM-KUH-01132

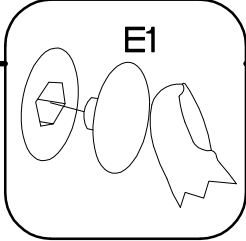
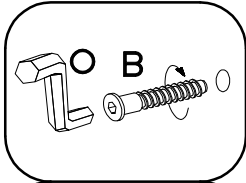
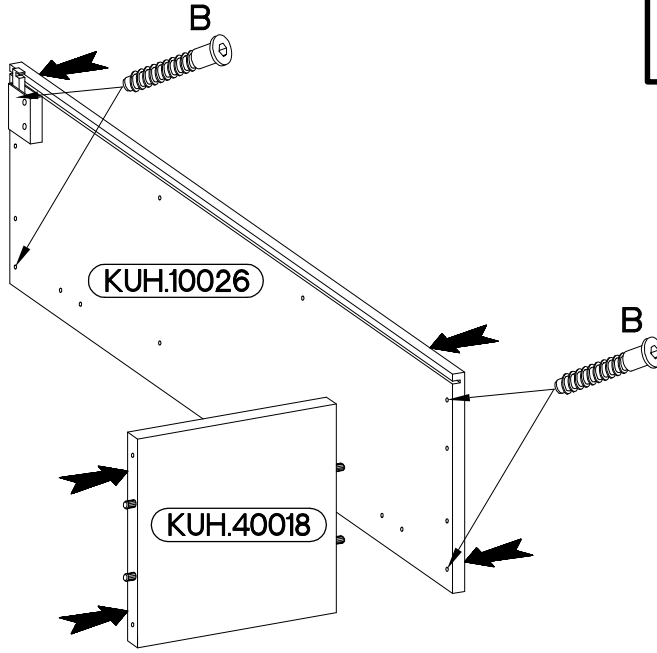
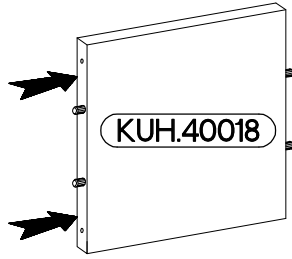
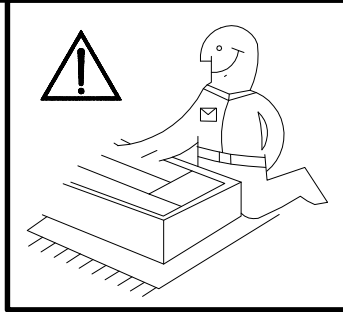
1

 +8x30mm A	 +4.0x30mm P8	 K
8	4	2

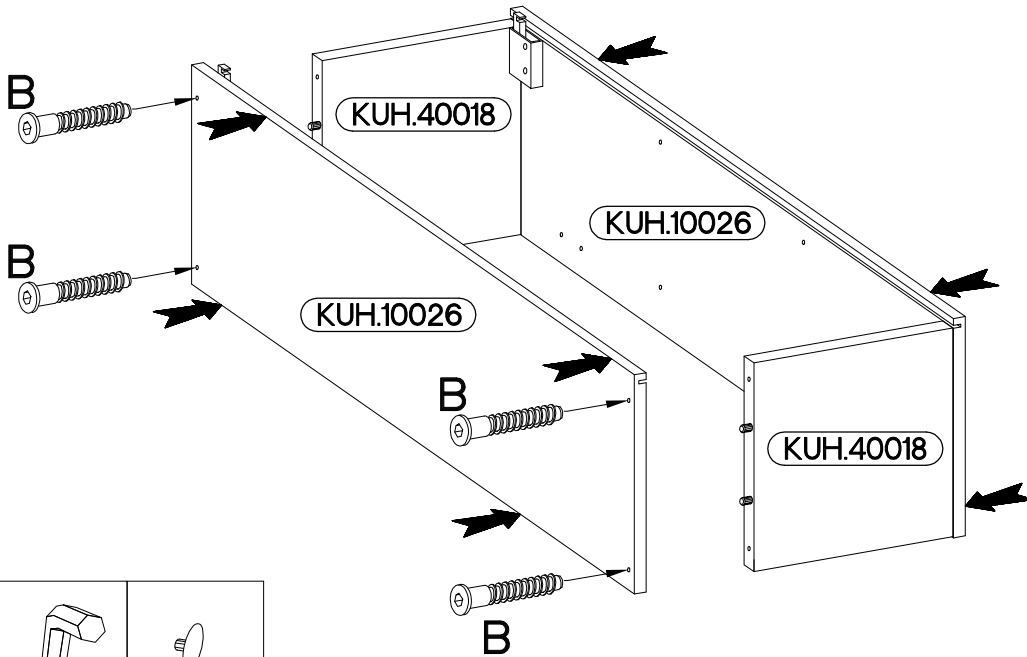



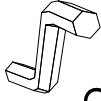

2

6,4 x 50mm		
		
B	O	E1
4	1	4

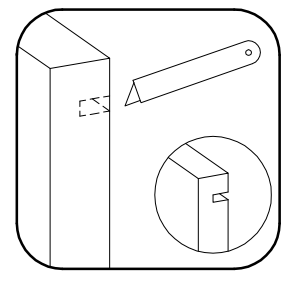
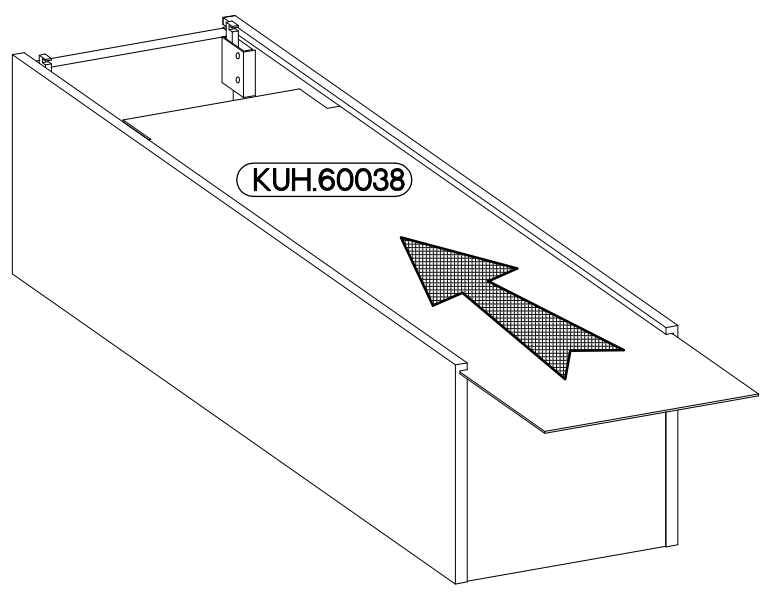
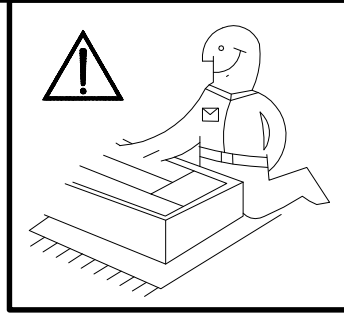


3

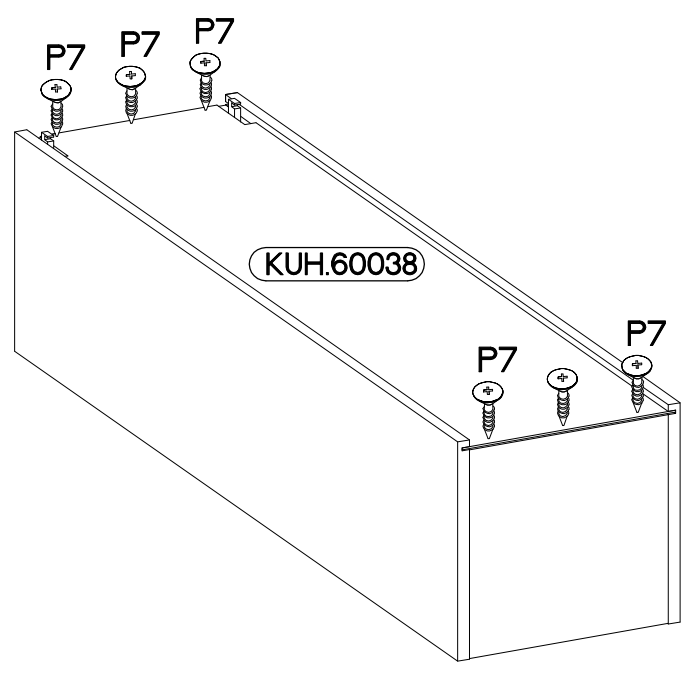
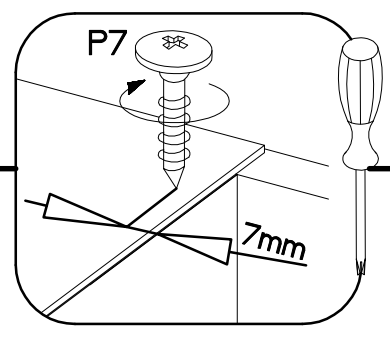
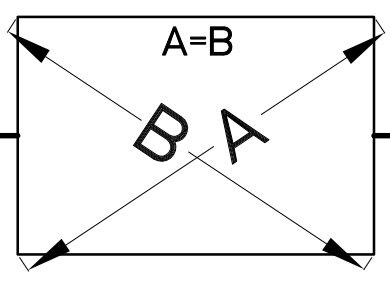
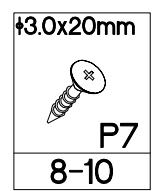


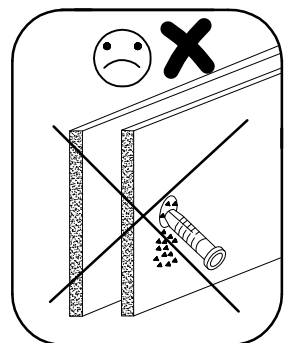
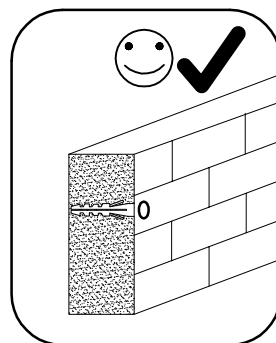
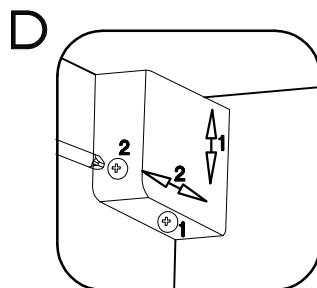
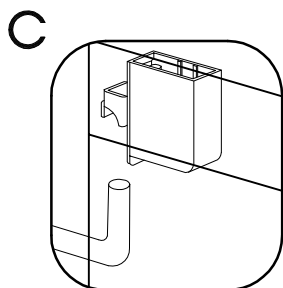
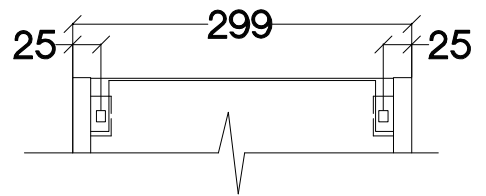
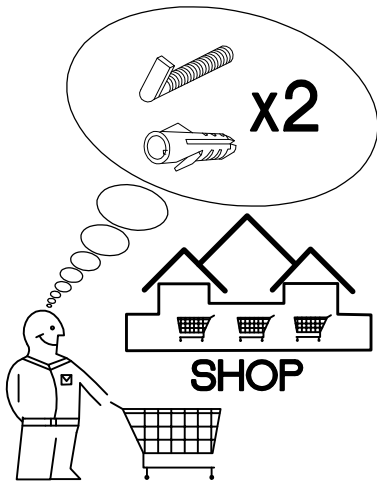
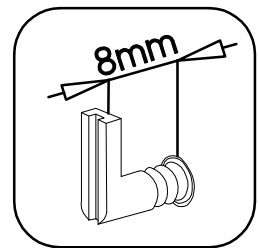
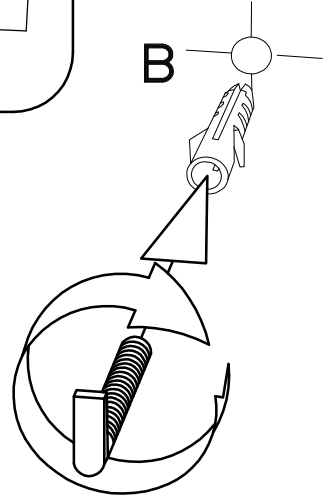
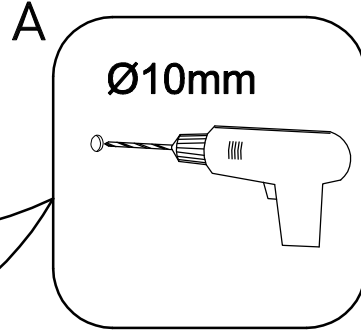
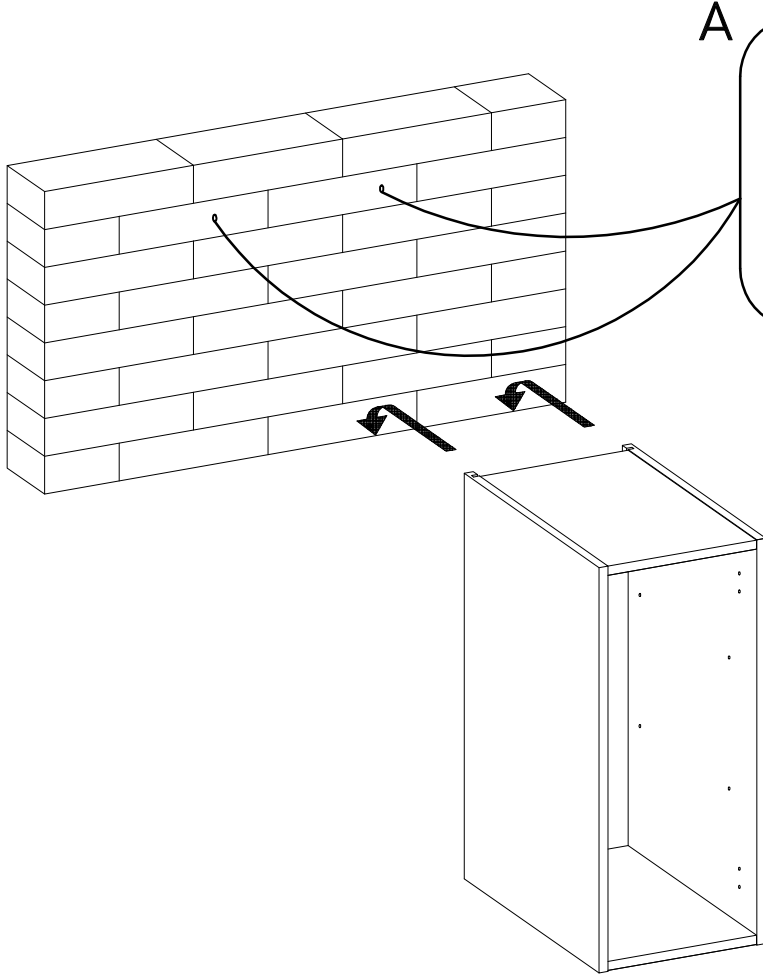
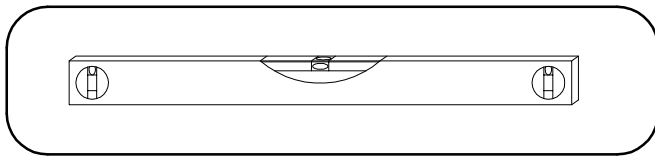
6,4 x 50mm		
		
B	O	E1
4	1	4

4



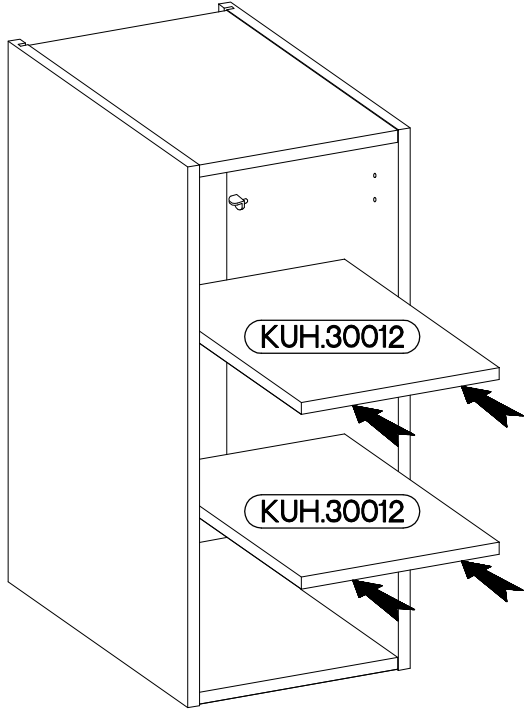
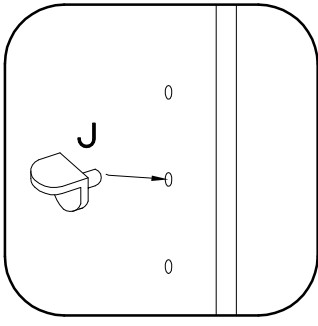
5





7

±5/19mm
J
12



8

FRONT

