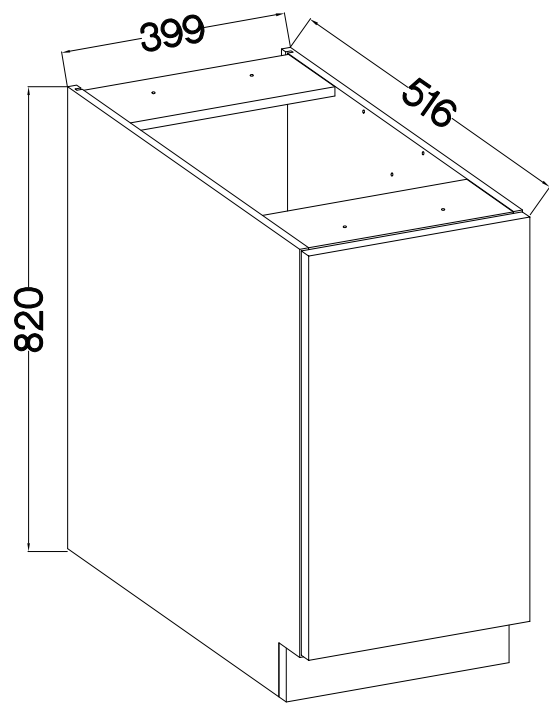
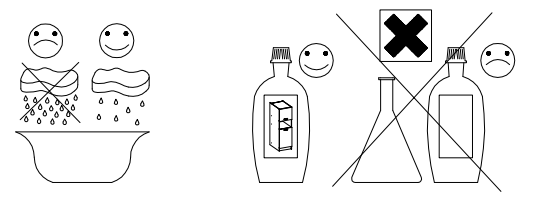
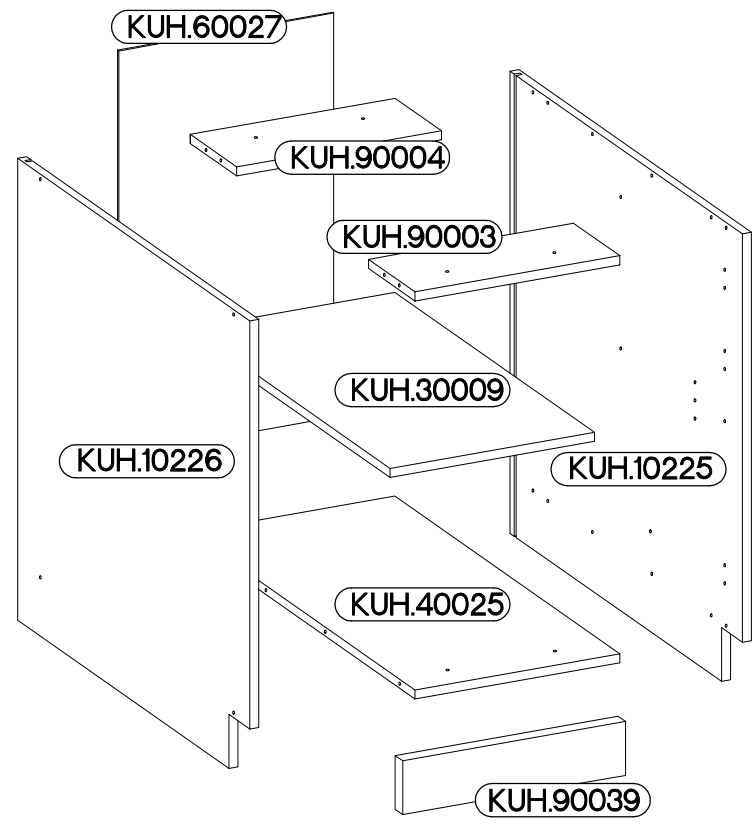
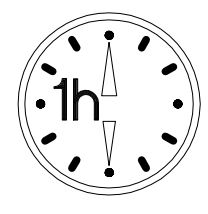


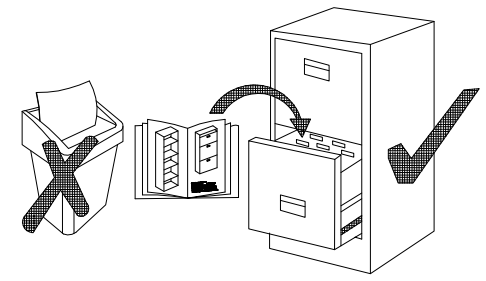
40 D 1F BB



max. 10kg  
KUH.30009  
KUH.40025

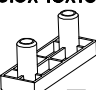
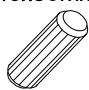


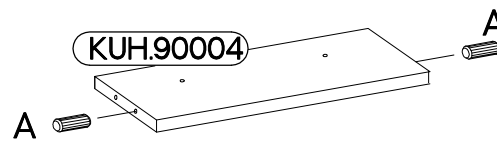
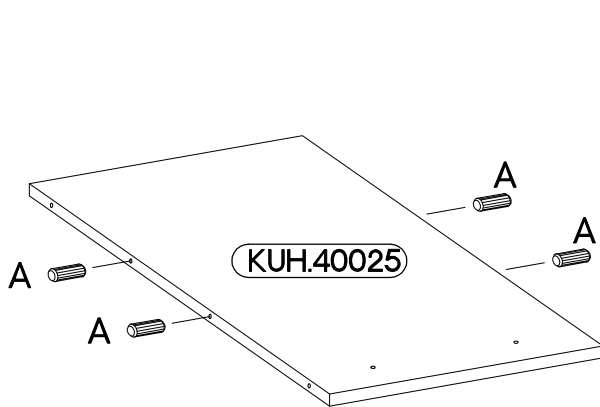
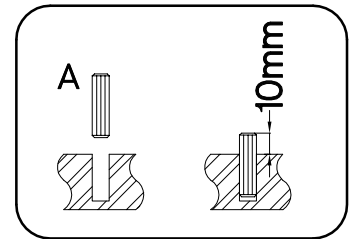
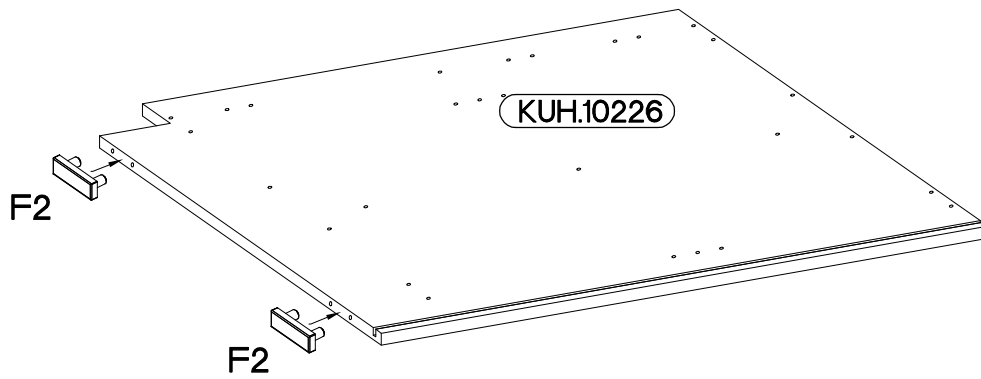
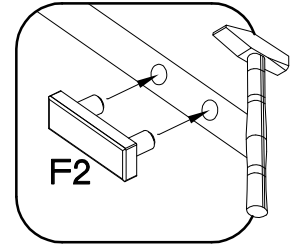
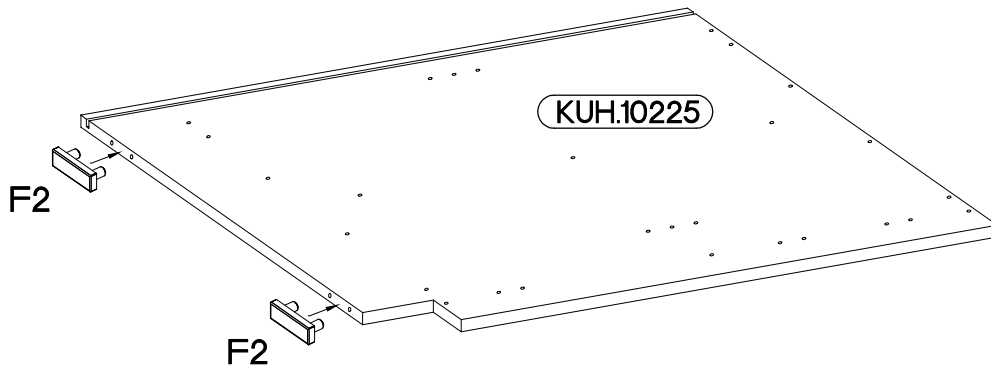
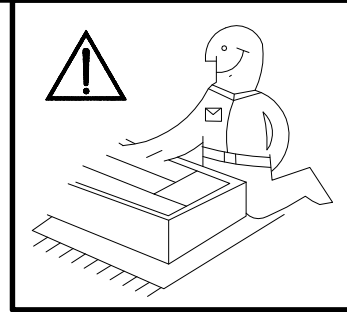
 <b>A</b> 8	 <b>B</b> 8	 <b>E1</b> 8	 <b>E9</b> 2	 <b>F2</b> 4		
 <b>HG</b> 2	 <b>J</b> 4	 <b>O</b> 1	 <b>P4</b> 2	 <b>P5</b> 4	 <b>P7</b> 8-10	 <b>R3</b> 4



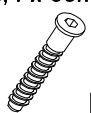
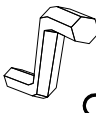

ISM-KUH-01133

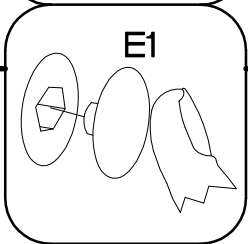
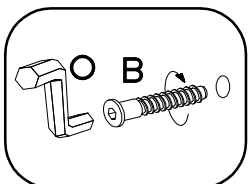
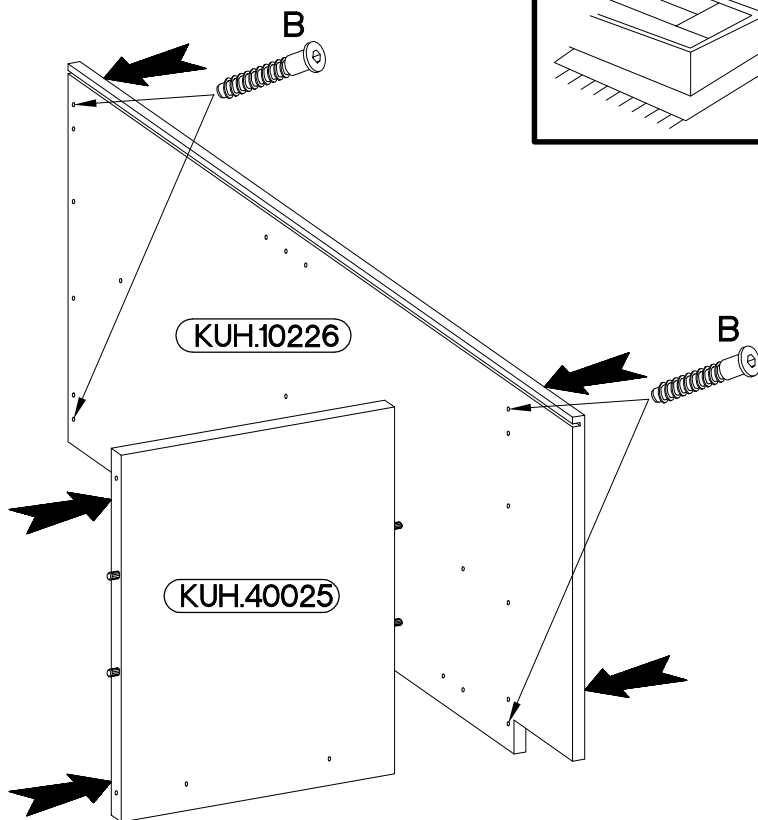
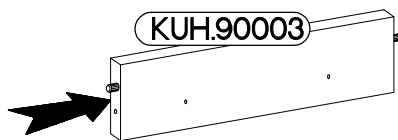
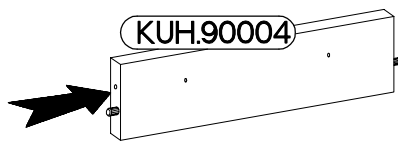
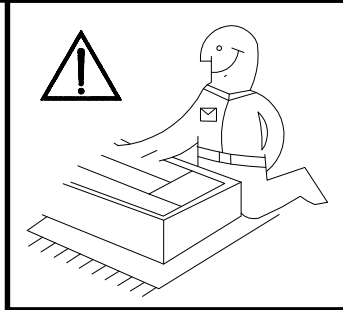
1

6.5x48x16  F2 4	+8x30mm  A 8
--	---

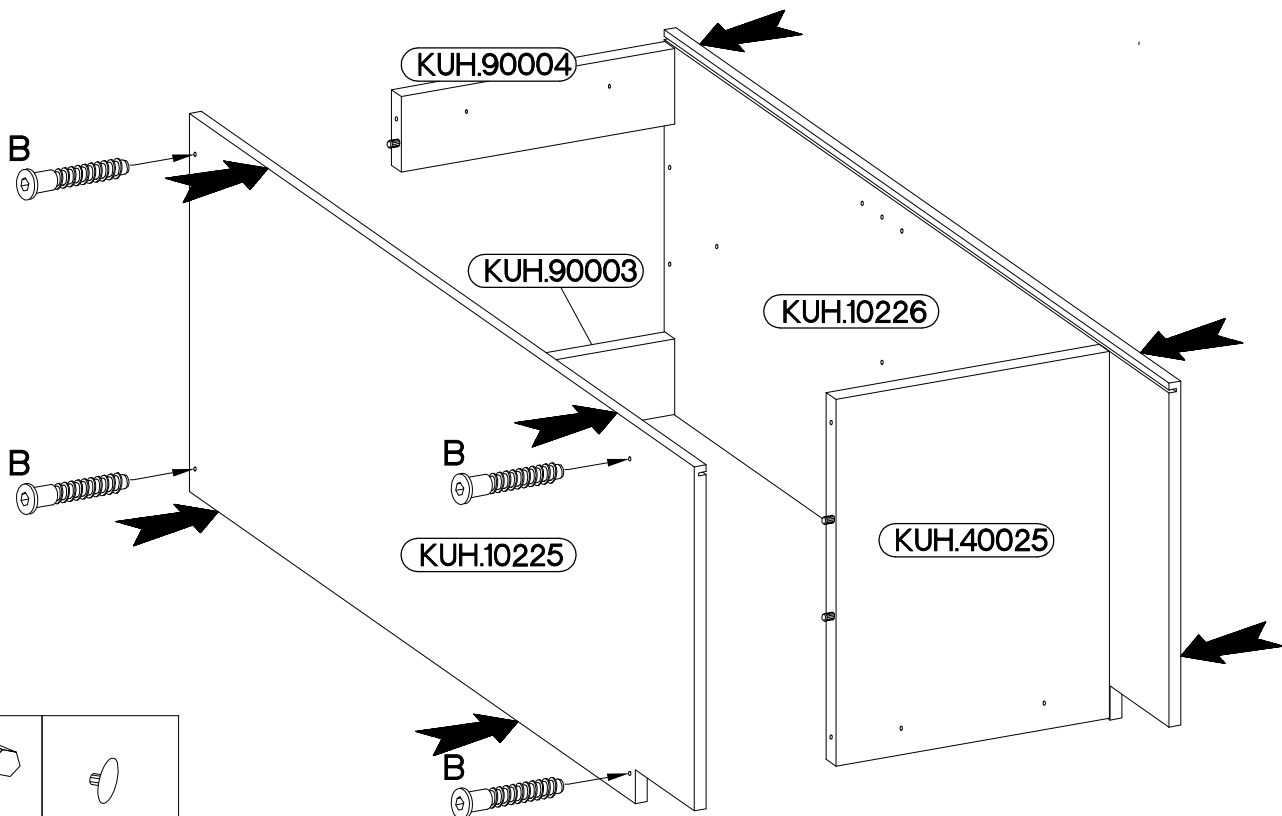



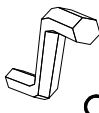

2

6,4 x 50mm		
		
<b>B</b>	<b>O</b>	<b>E1</b>
4	1	4

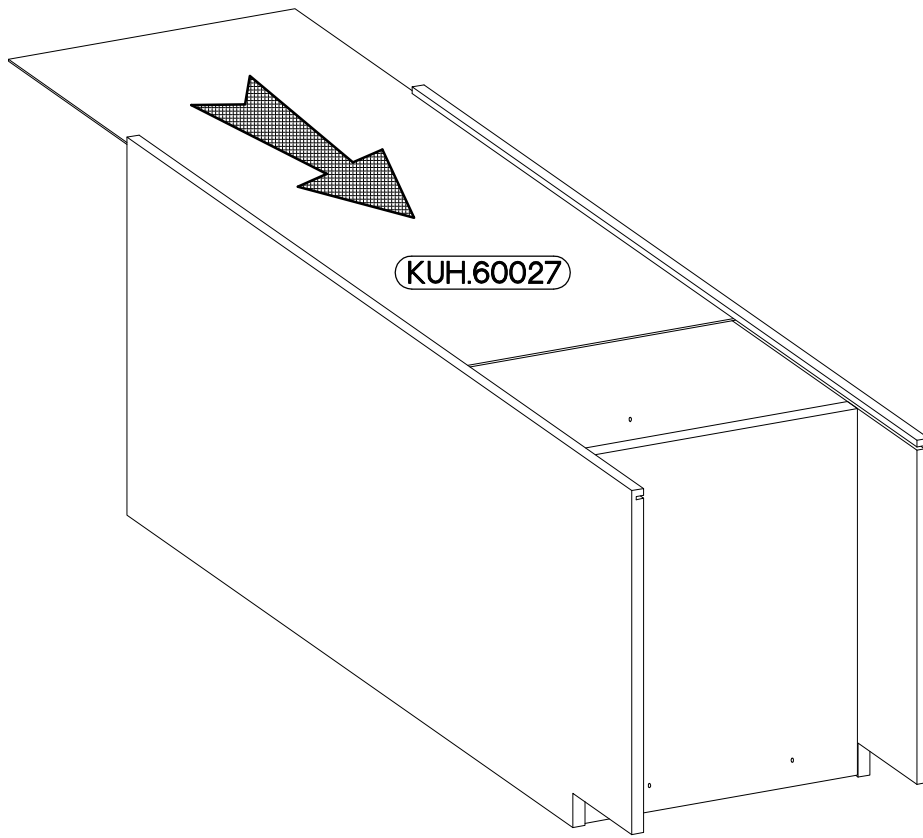
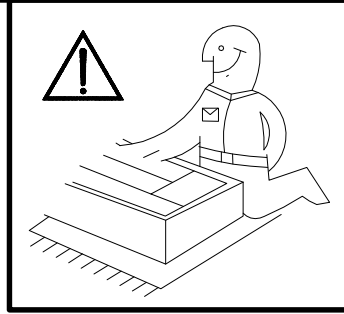


3

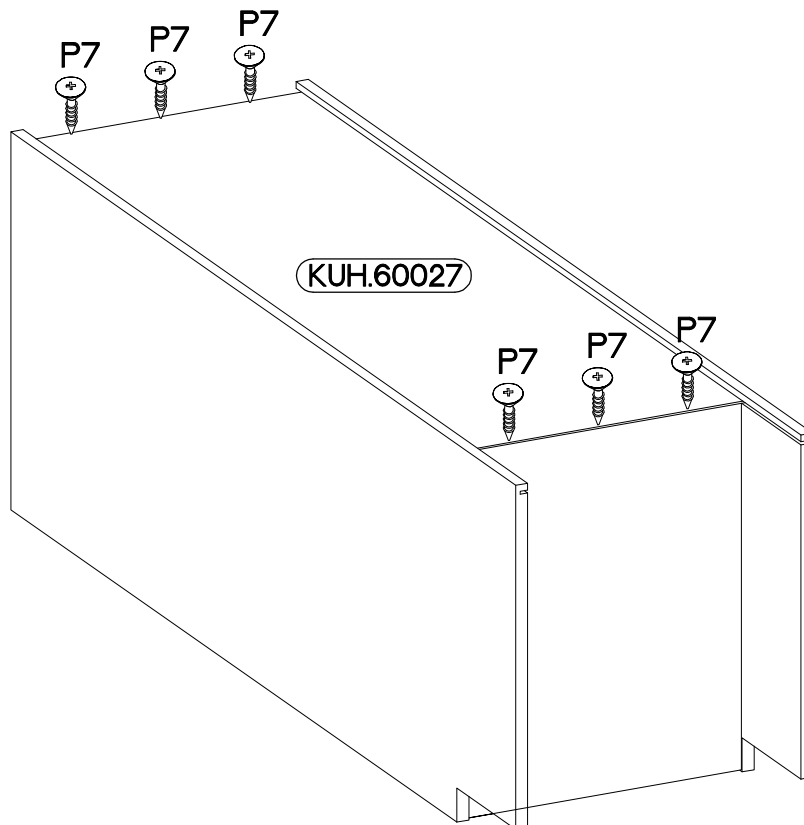
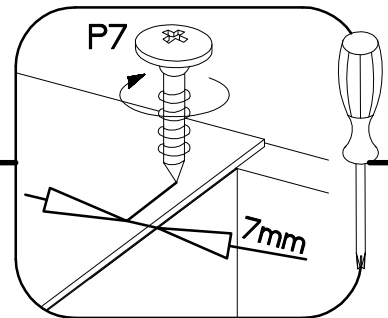
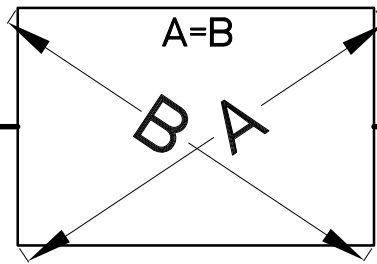
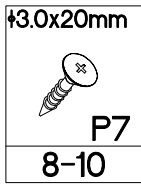


6,4 x 50mm		
		
<b>B</b>	<b>O</b>	<b>E1</b>
4	1	4



4

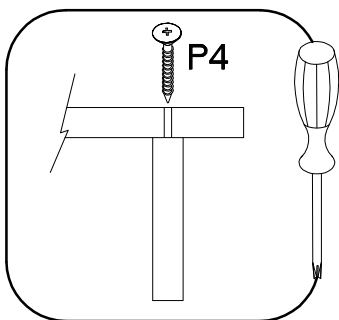
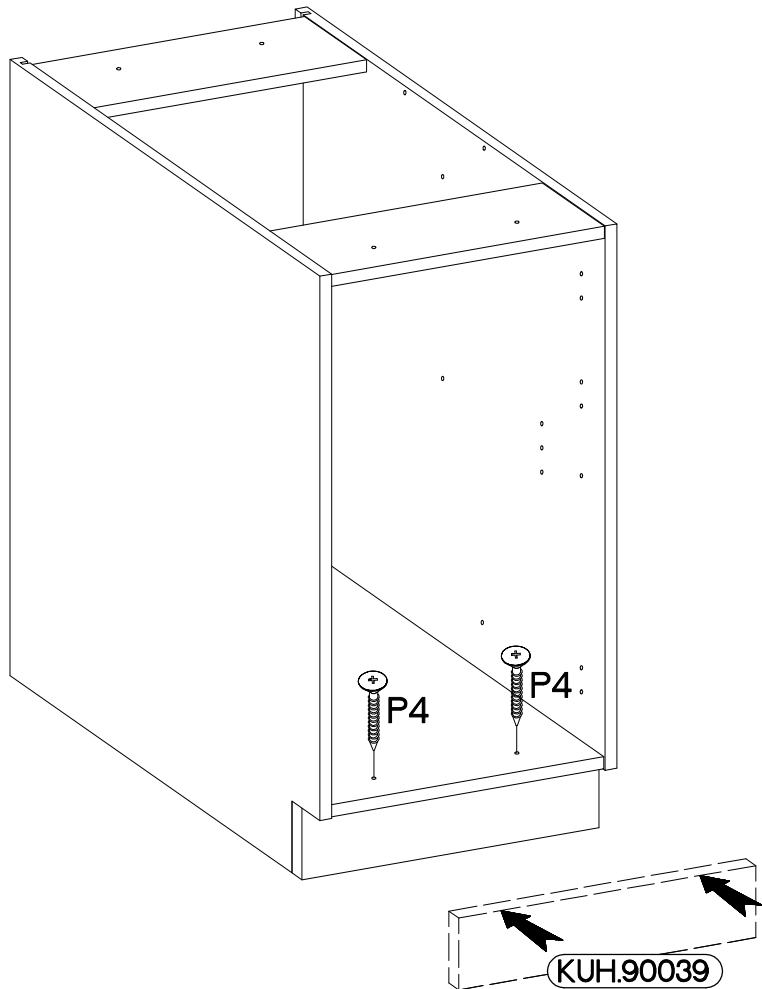


5

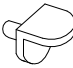


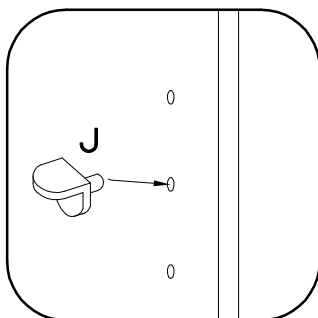
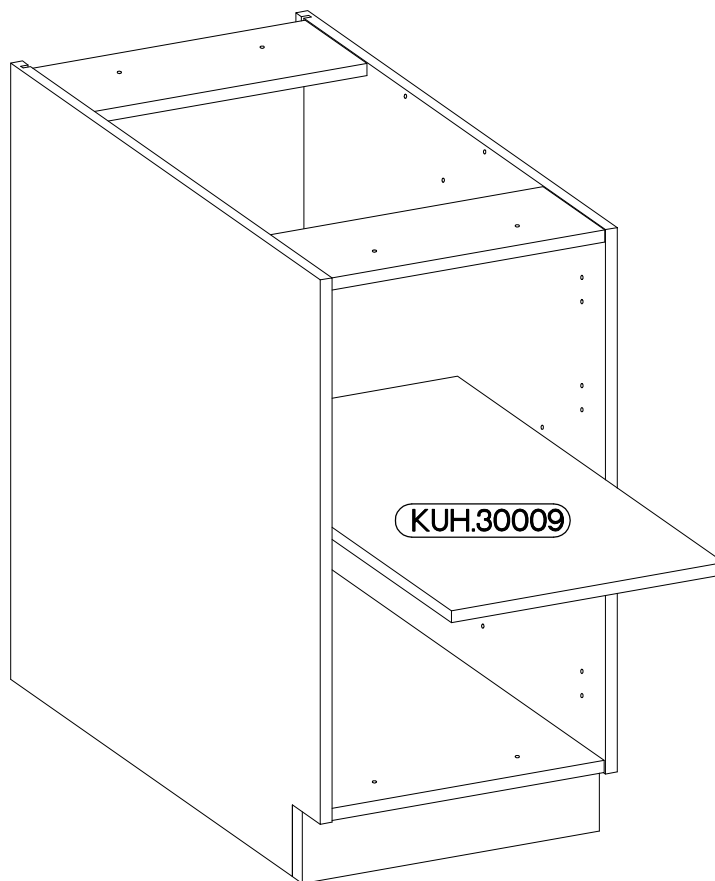
6

4.0x45mm	
	E9
2	2



7

5/19mm

J
4



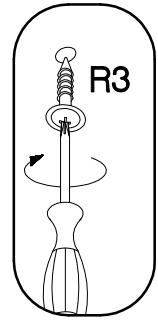
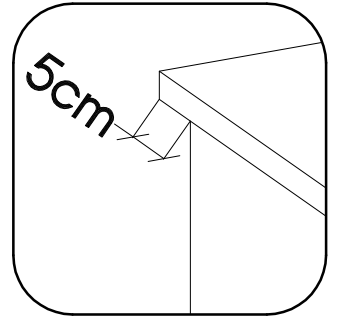
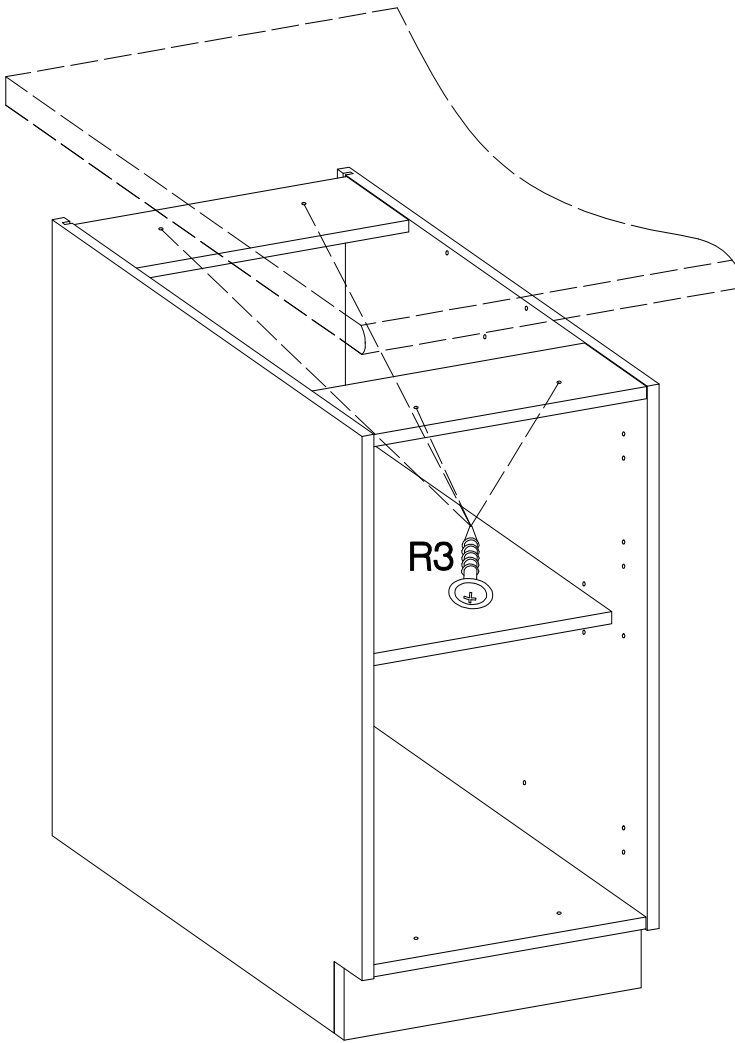
8

4.0x35mm



R3

4



9

FRONT

