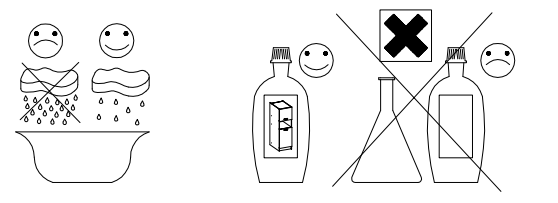
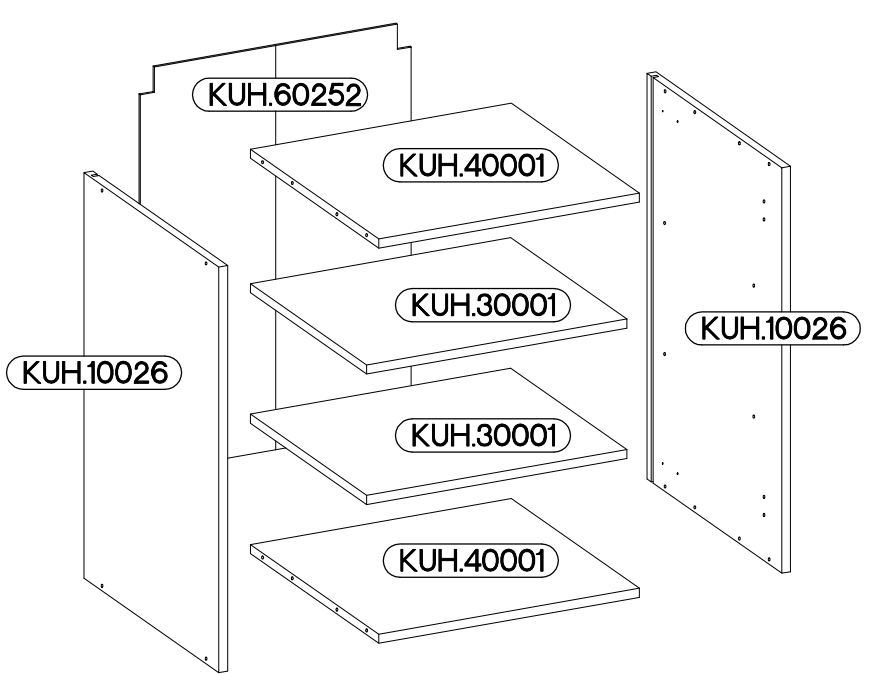
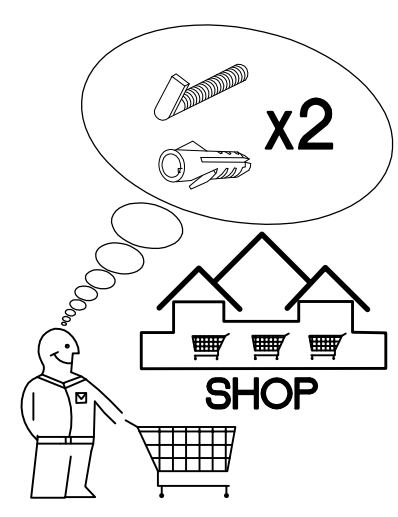
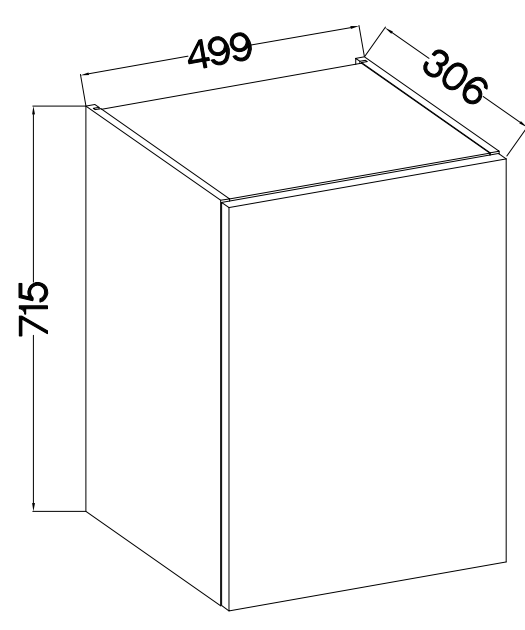
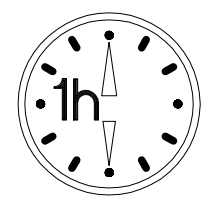


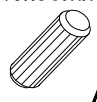
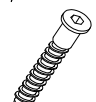


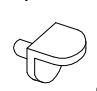
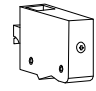
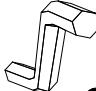

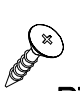
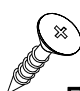
Ø10mm
50 G-72 1F

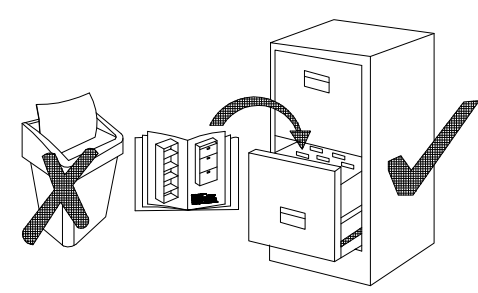


max.
5kg

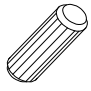

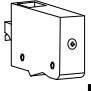
KUH.30001
KUH.40001

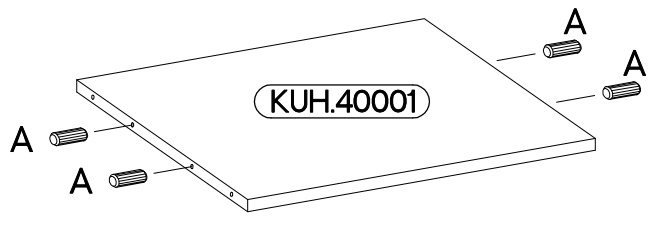
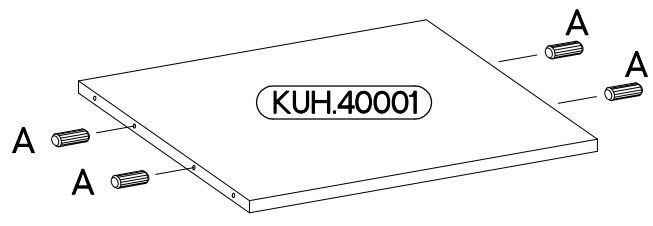
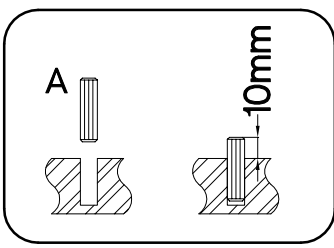
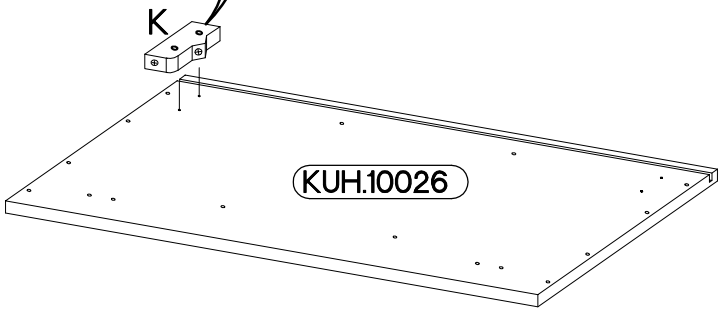
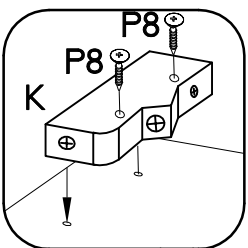
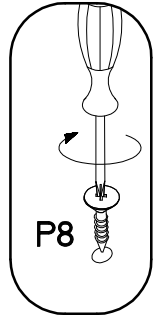
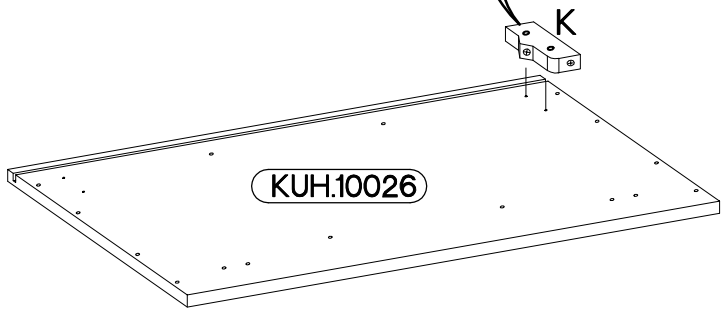
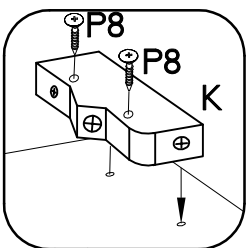
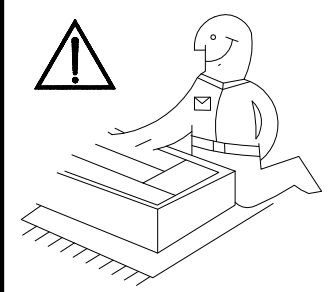


 8x30mm A 8	 6,4 x 50mm B 8	 E1 8	 †35/0mm HG 2		
 †5/19mm J 8	 K 2	 O 1	 †3.5x13mm P5 4	 †3.0x20mm P7 8-10	 †4.0x30mm P8 4

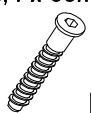
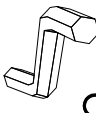



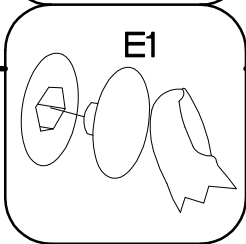
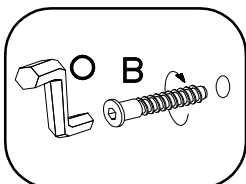
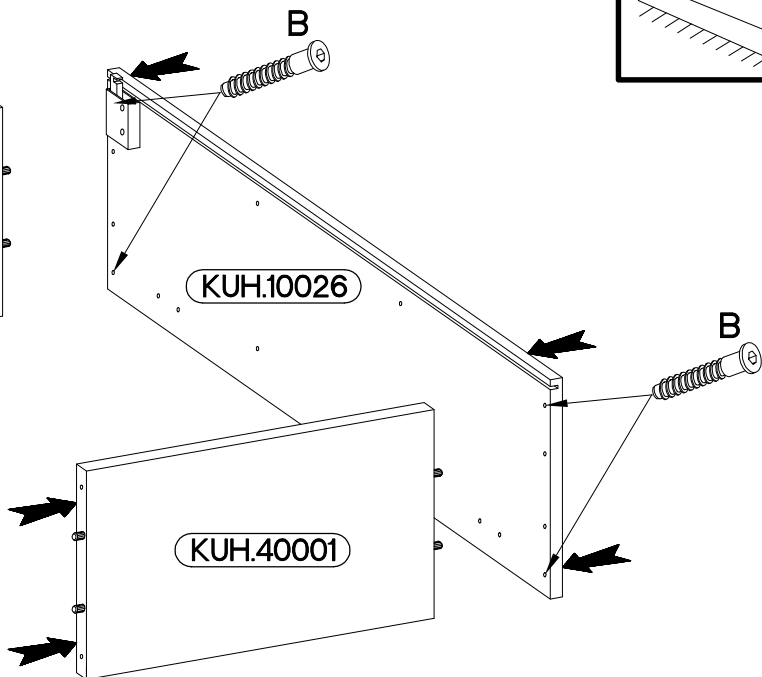
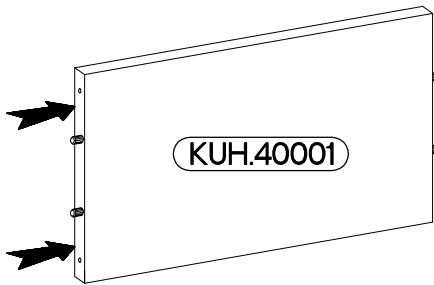
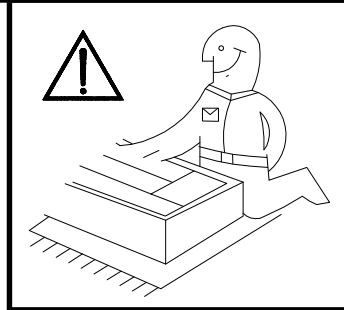
ISM-KUH-01137

$\pm 8 \times 30 \text{mm}$  A 8	$\pm 4.0 \times 30 \text{mm}$  P8 4	 K 2
---	--	--

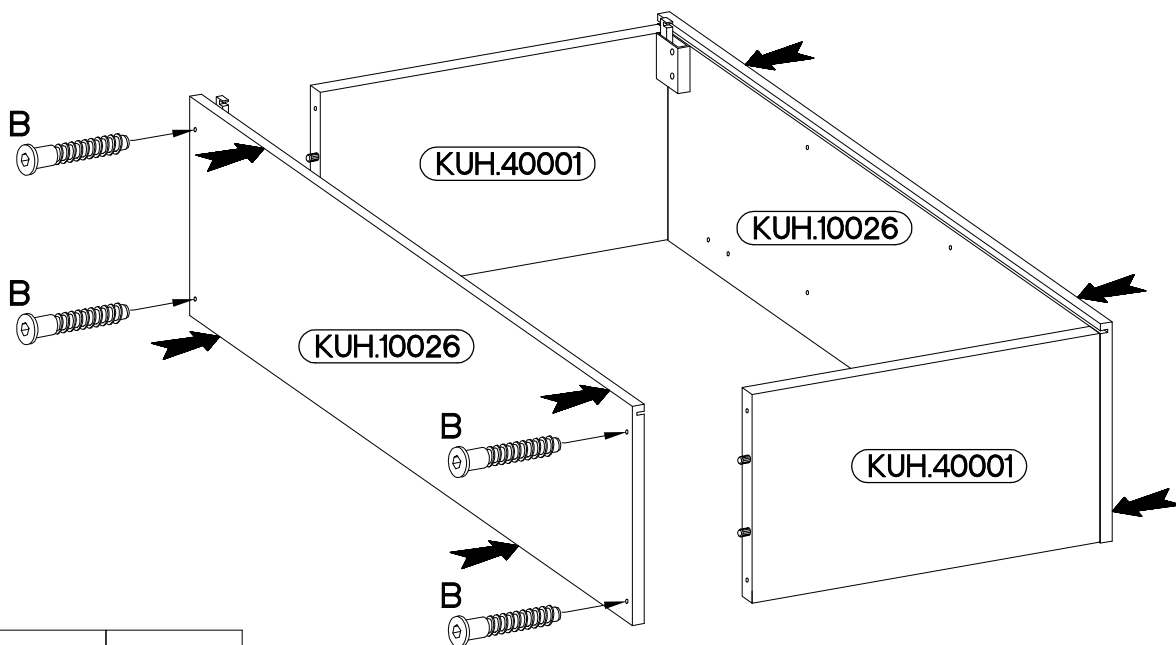


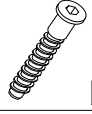
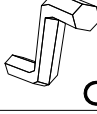

2

6,4 x 50mm		
		
B	O	E1
4	1	4

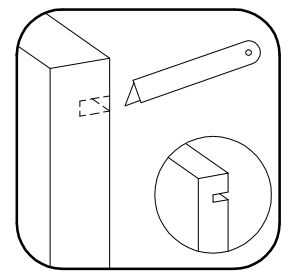
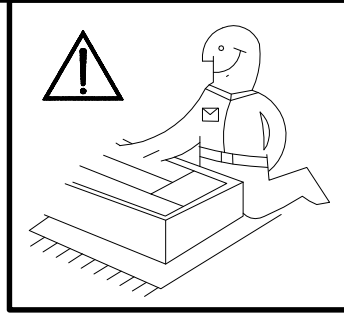
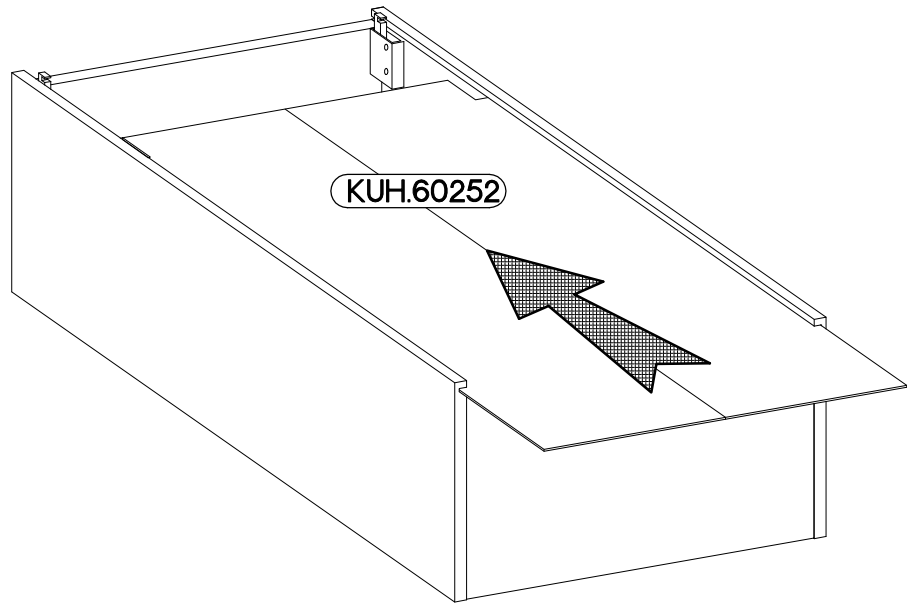


3

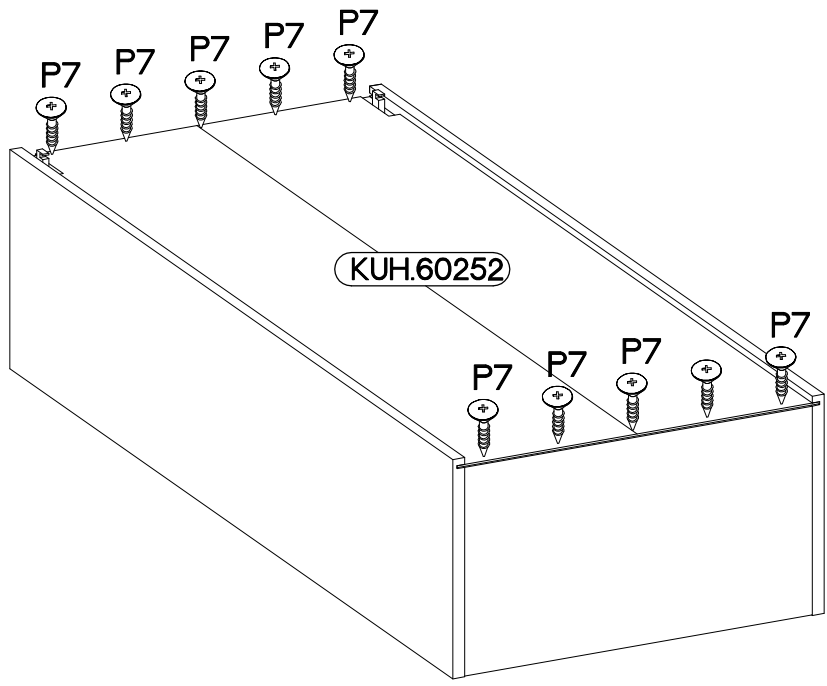
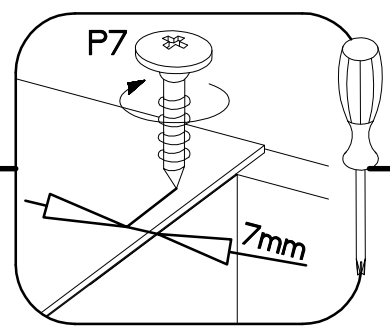
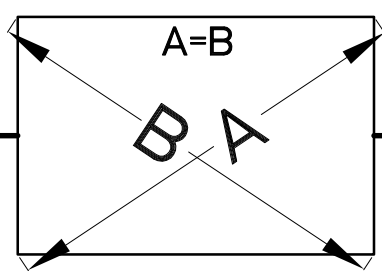
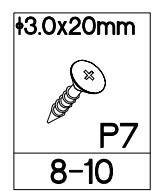


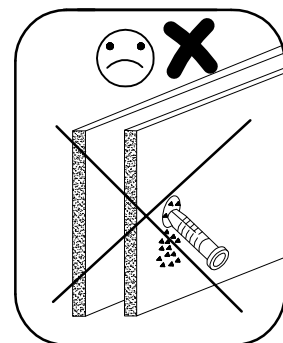
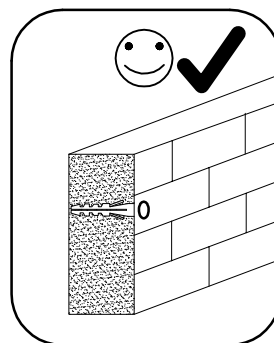
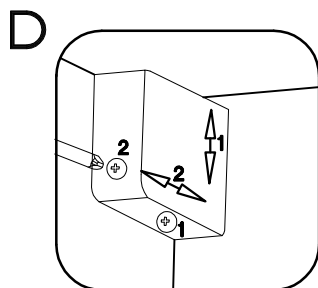
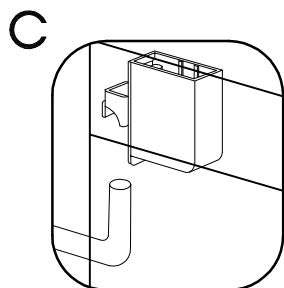
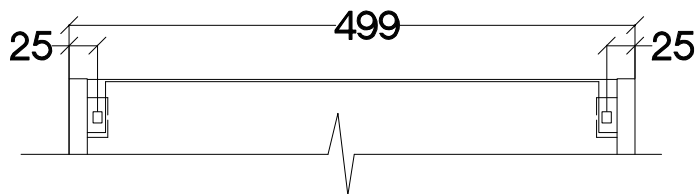
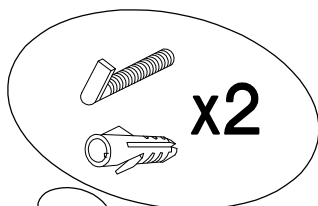
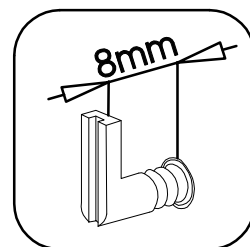
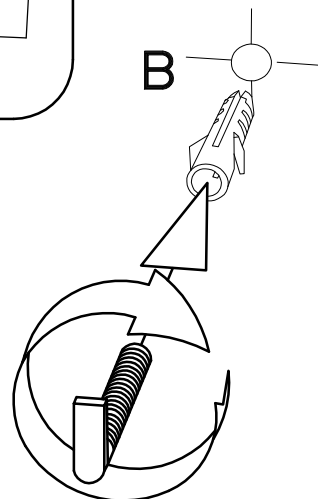
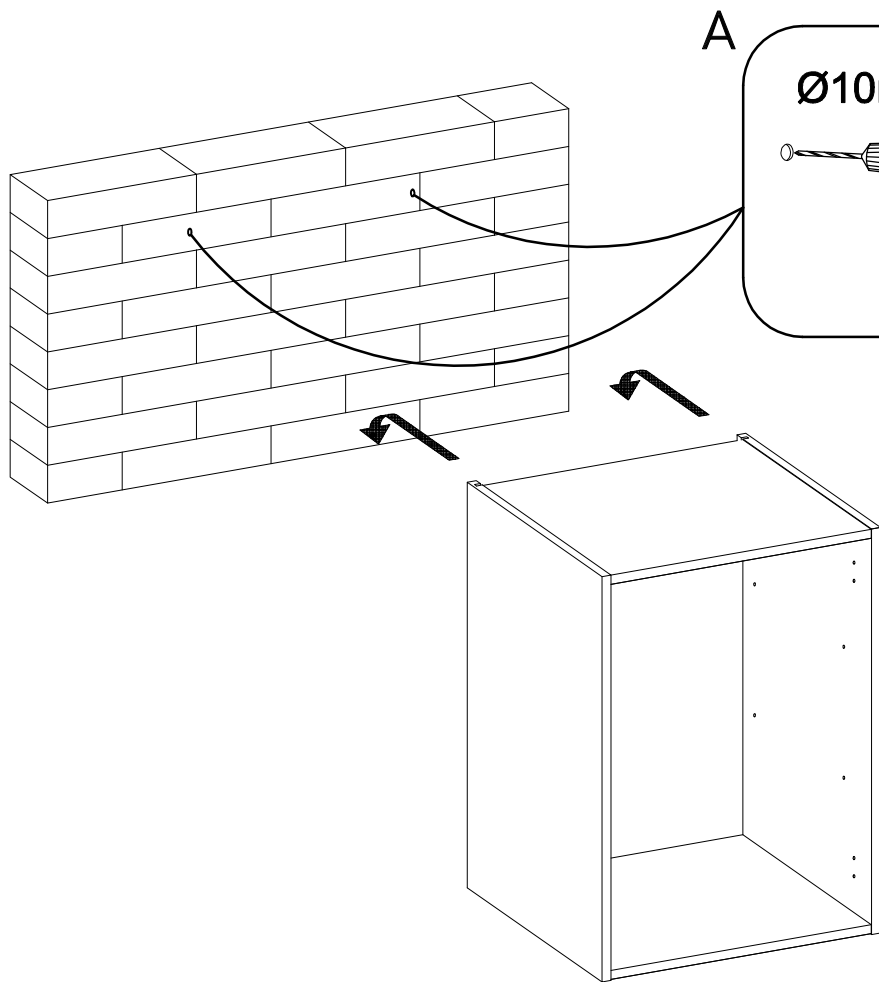
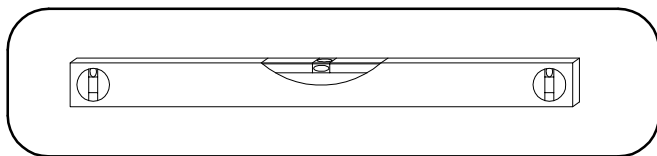
6,4 x 50mm		
		
B	O	E1
4	1	4

4

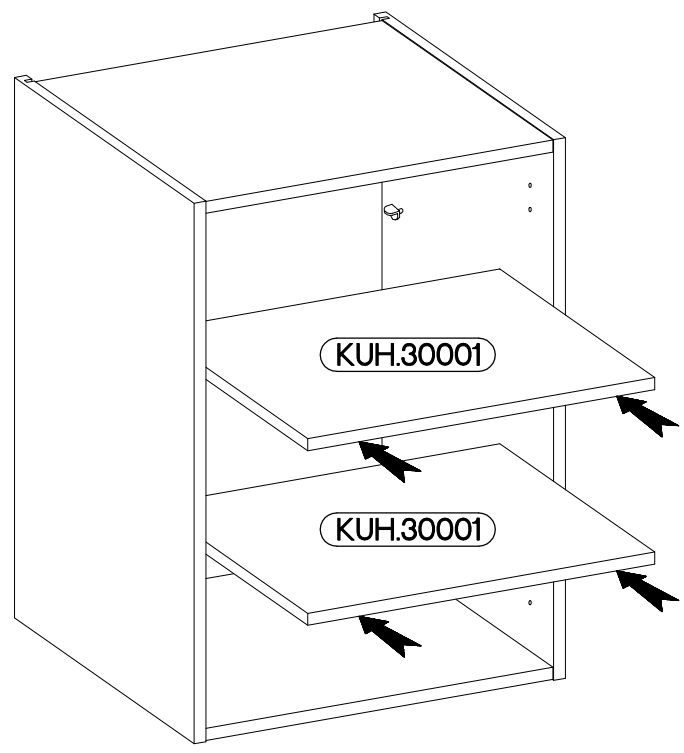
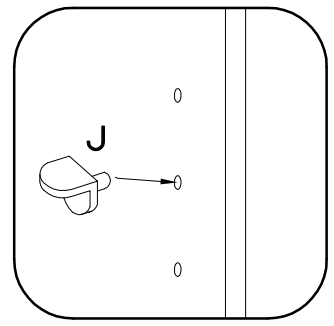
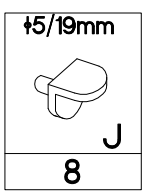


5





7



8

FRONT

