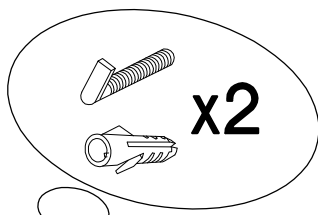
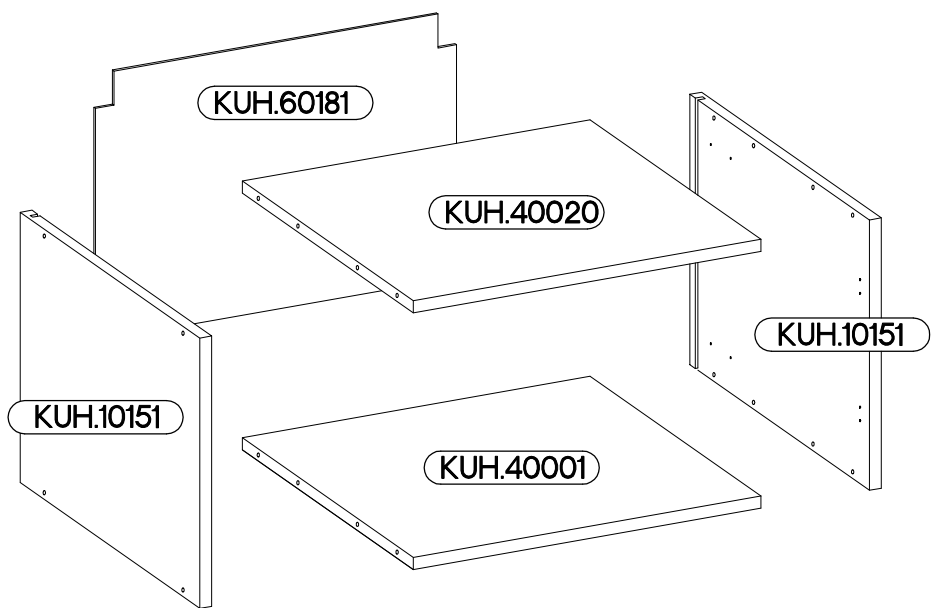
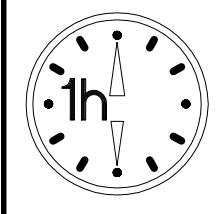
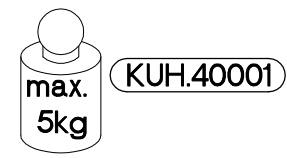
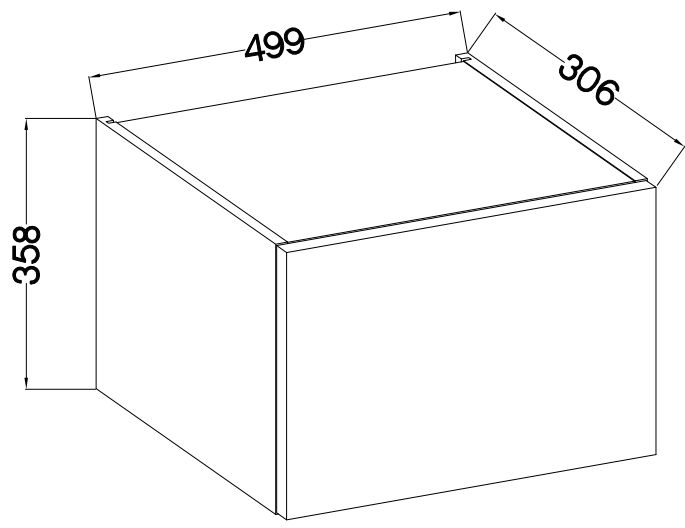
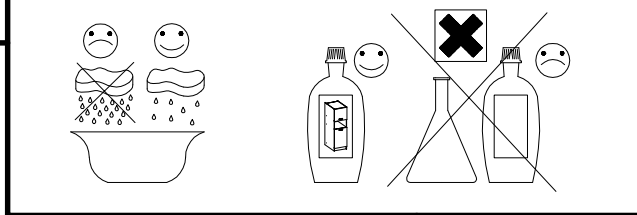
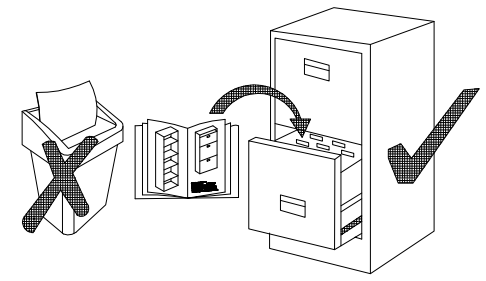


Ø10mm
50 GU-36

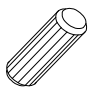

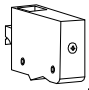


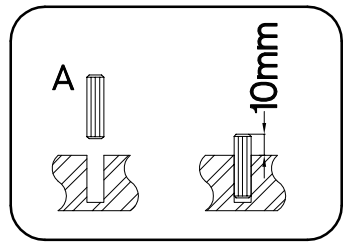
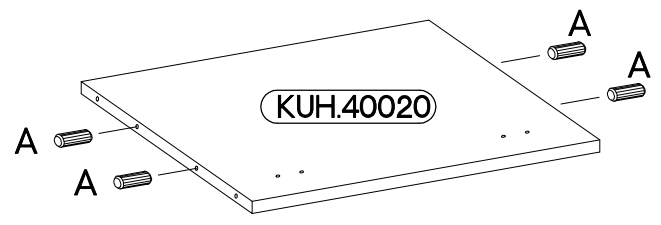
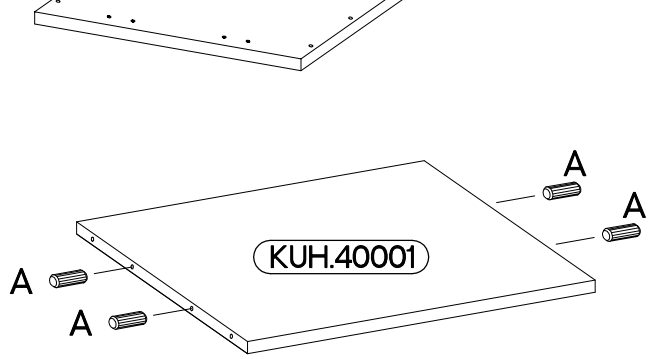
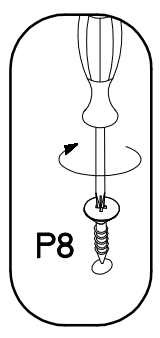
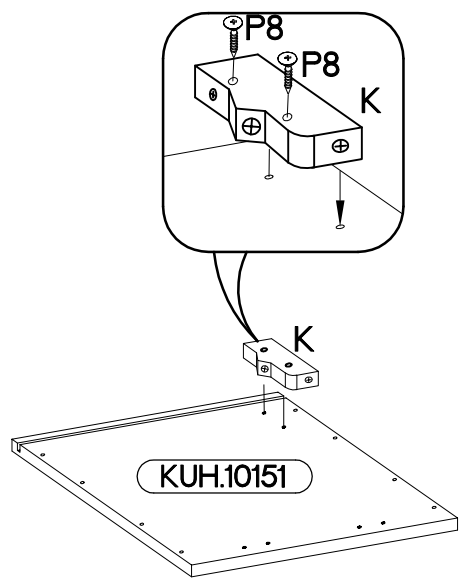
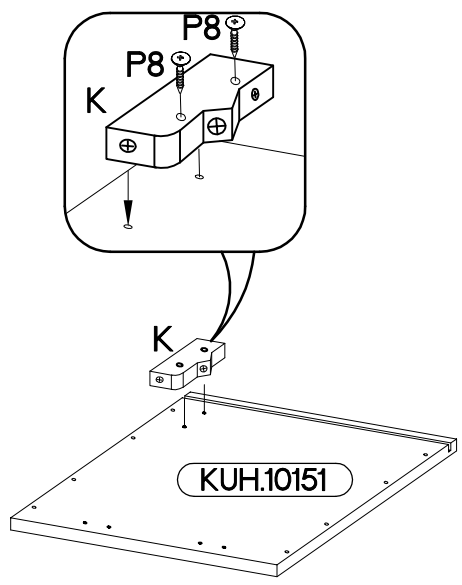
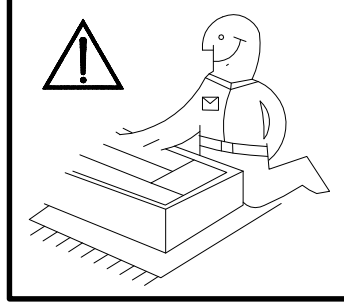
<p>8x30mm A</p>	<p>6.4 x 50mm B</p>	<p>E1</p>	<p>HG</p>		
8	8	8	2		
<p>K</p>	<p>K24</p>	<p>O</p>	<p>3.5x13mm P5</p>	<p>3.0x20mm P7</p>	<p>4.0x30mm P8</p>
2	2	1	4	8-10	4



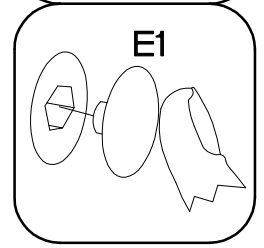
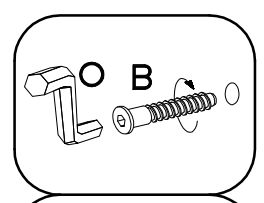
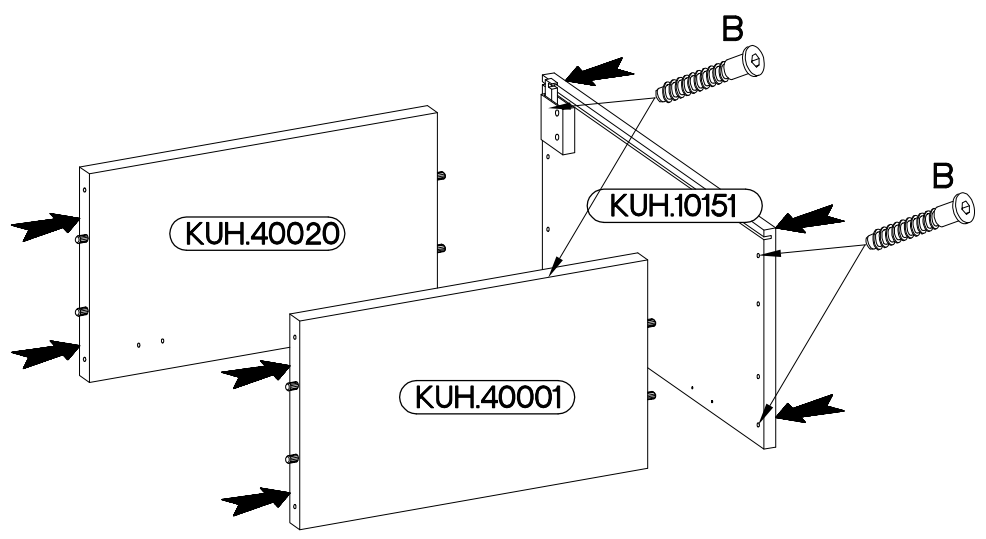
ISM-KUH-01138


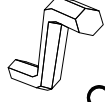

1

+8x30mm 	+4.0x30mm 	
A	P8	K
8	4	2



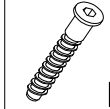
2



6,4 x 50mm 		
B	O	E1
4	1	4

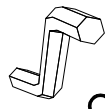
3

6,4 x 50mm



B

4



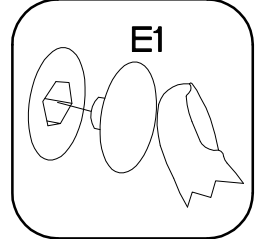
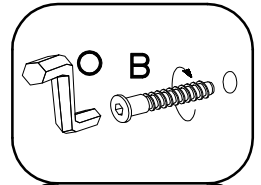
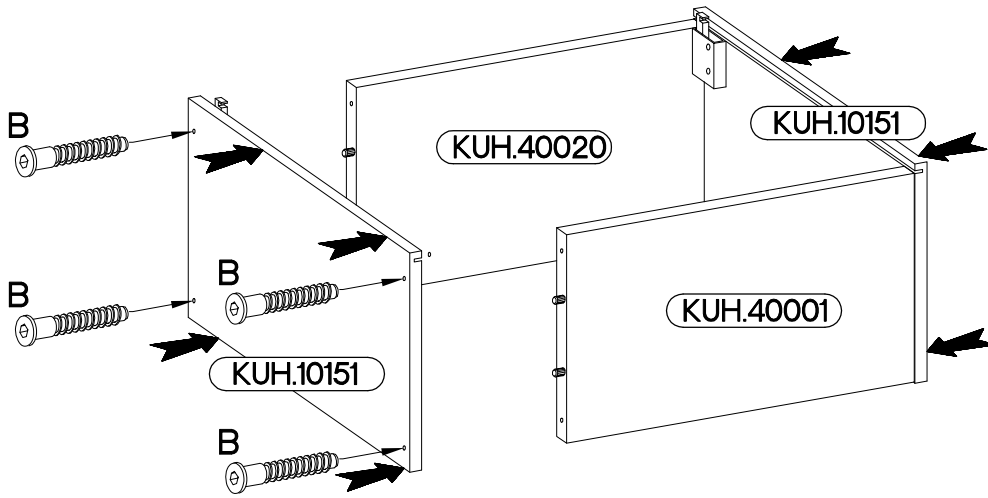
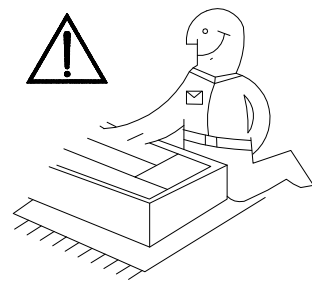
O

1



E1

4



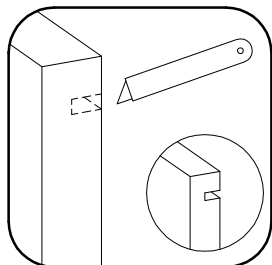
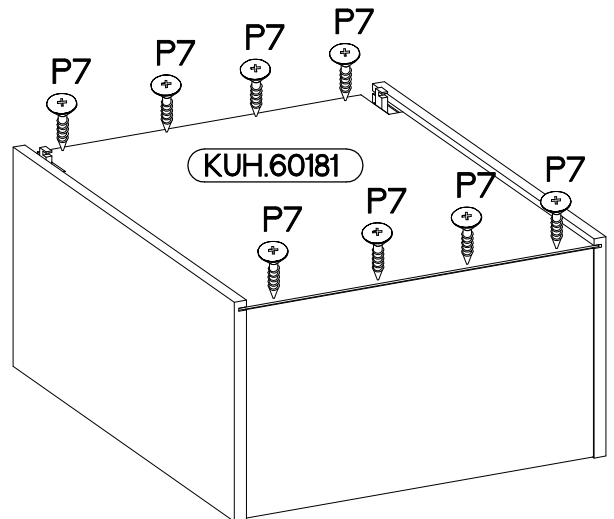
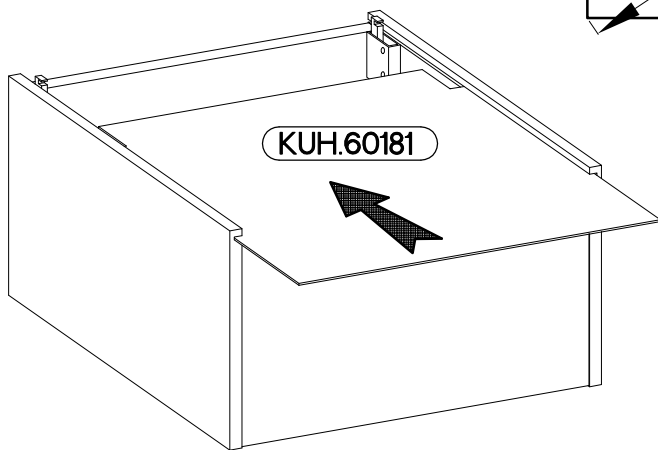
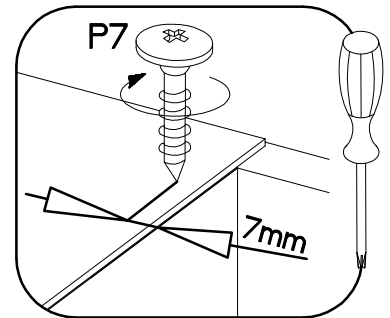
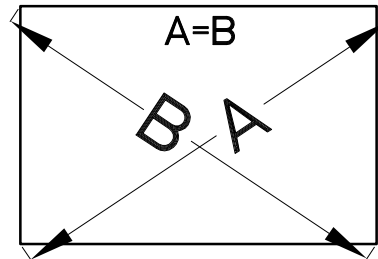
4

±3.0x20mm



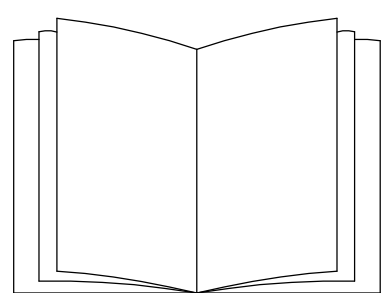
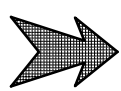
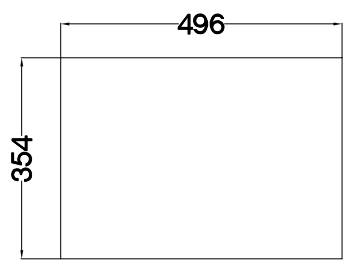
P7

8-10



5

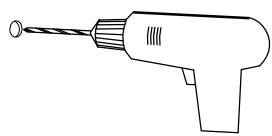
FRONT



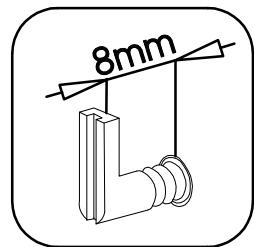
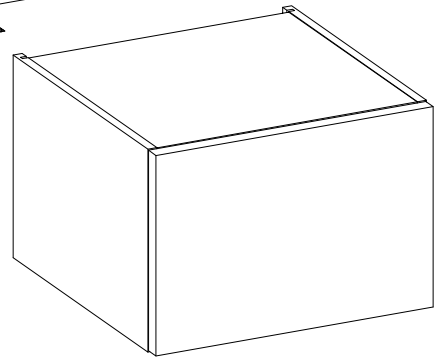
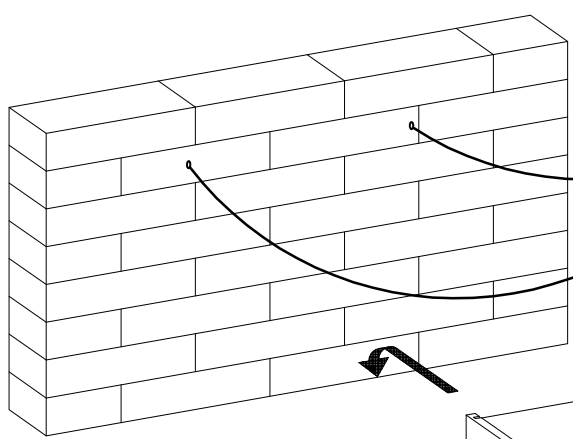
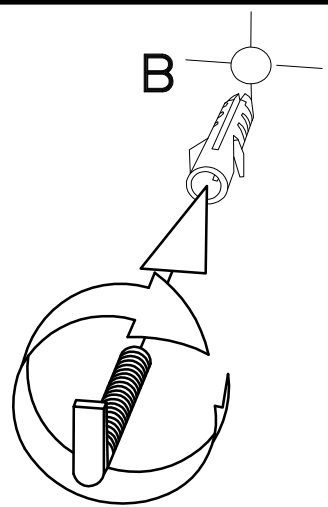
6

A

Ø10mm



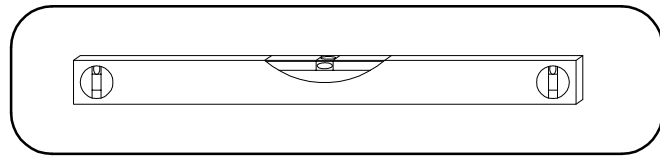
B



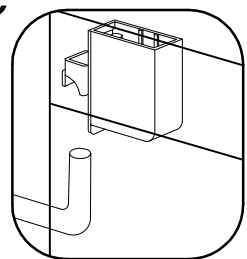
x2



SHOP



C



D

