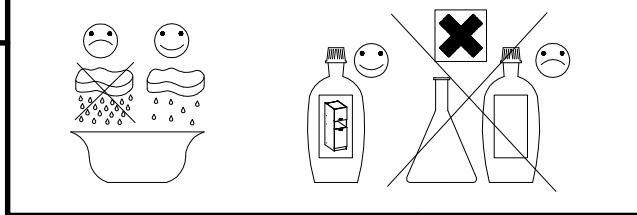
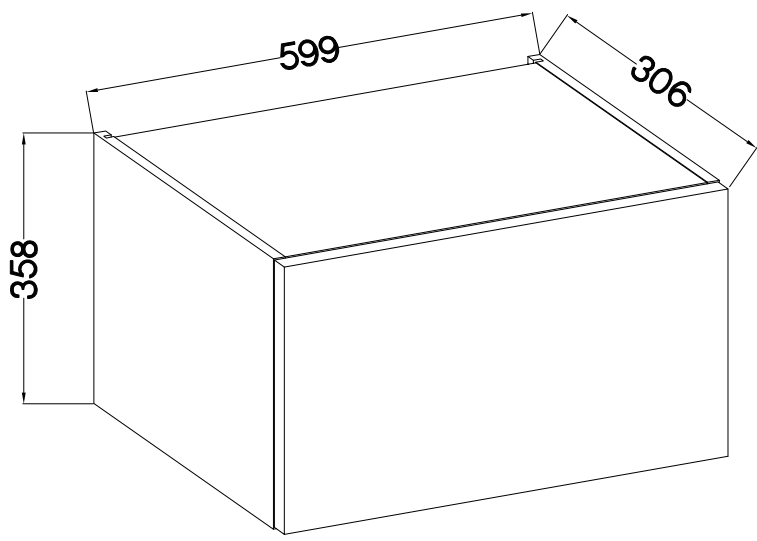
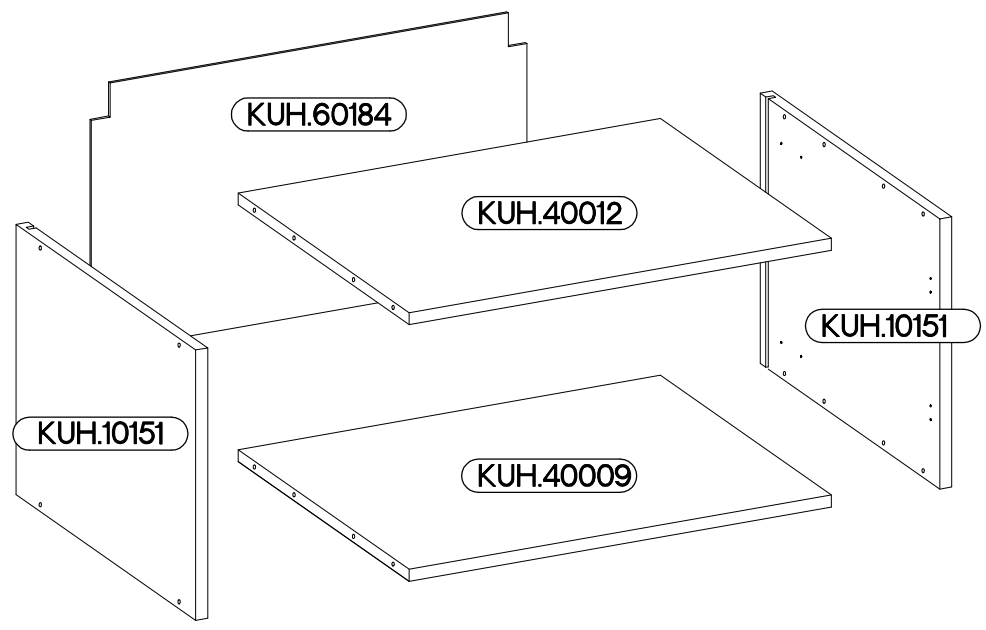
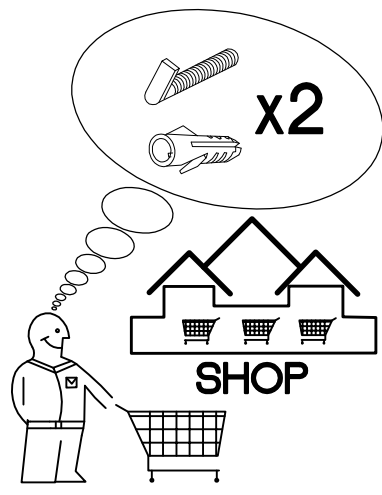
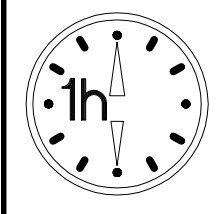


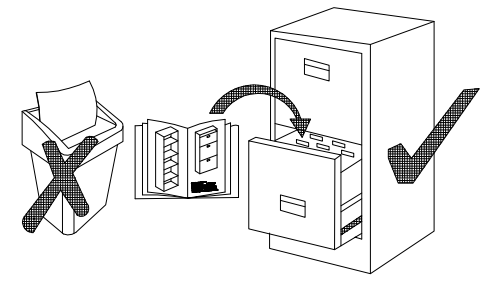
Ø10mm  
60 GU-36



max. 5kg  
KUH.40001

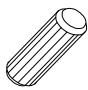

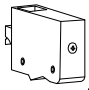


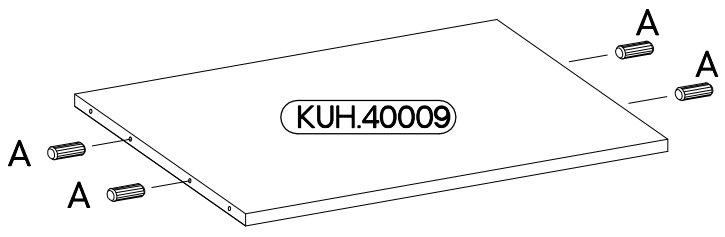
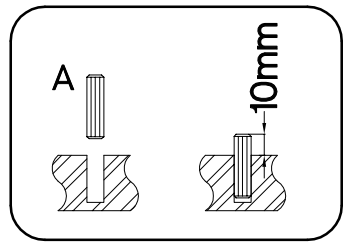
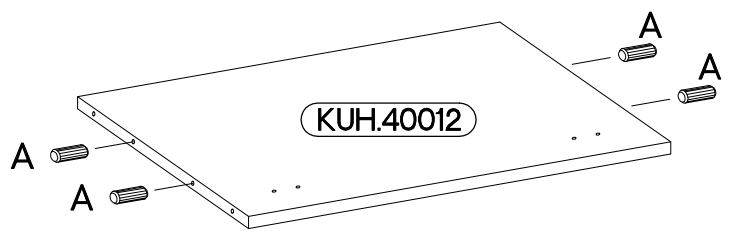
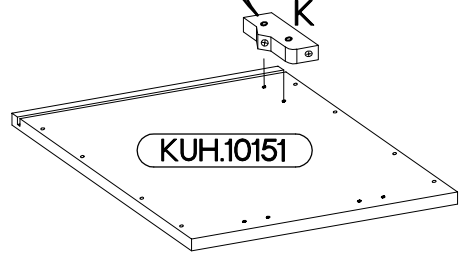
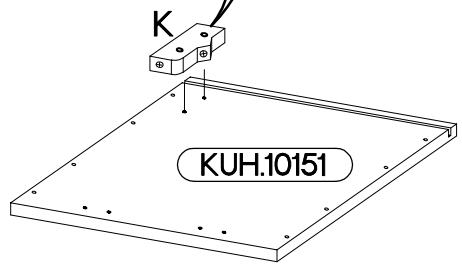
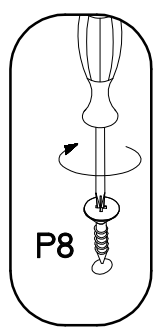
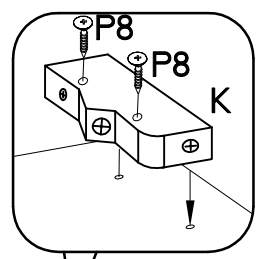
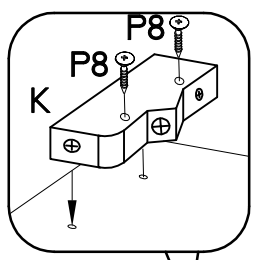
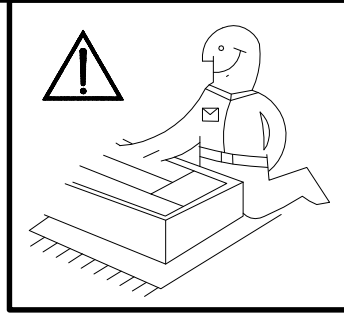
 <b>±8x30mm</b> <b>A</b> 8	 <b>6,4 x 50mm</b> <b>B</b> 8	 <b>E1</b> 8	 <b>±35/0mm</b> <b>HG</b> 2
 <b>K</b> 2	 <b>K24</b> 2	 <b>O</b> 1	 <b>±3.5x13mm</b> <b>P5</b> 4
			 <b>±3.0x20mm</b> <b>P7</b> 8-10
			 <b>±4.0x30mm</b> <b>P8</b> 4



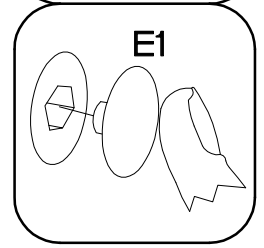
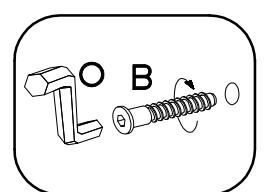
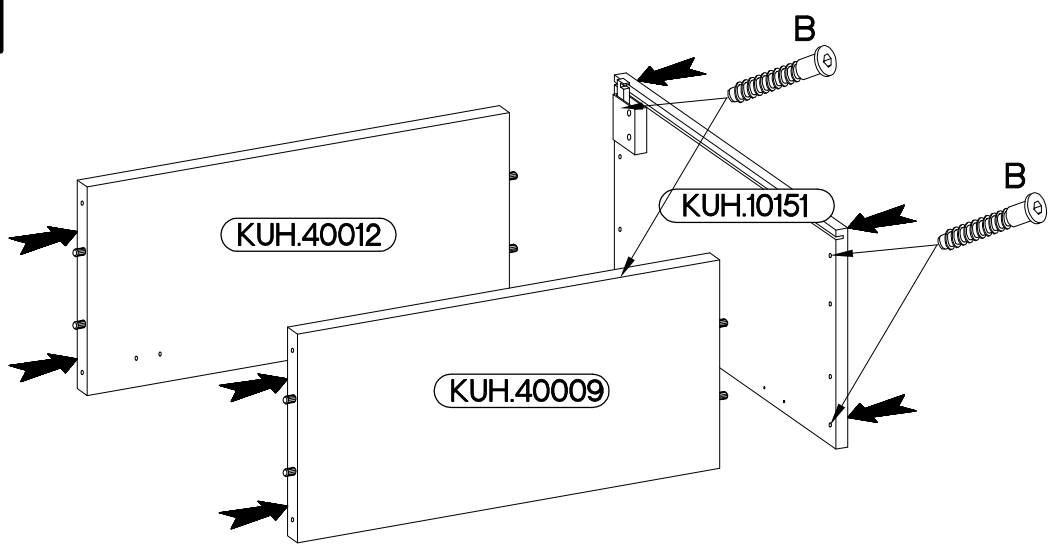
ISM-KUH-01139


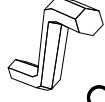

1

+8x30mm 	+4.0x30mm 	
A	P8	K
8	4	2



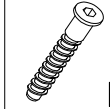
2



6,4 x 50mm 		
B	O	E1
4	1	4

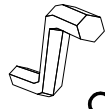
# 3

6,4 x 50mm



B

4



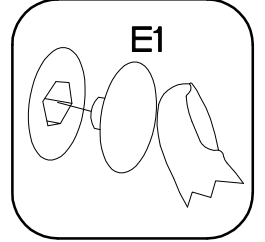
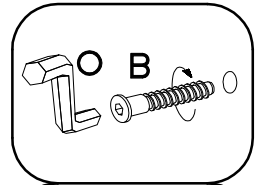
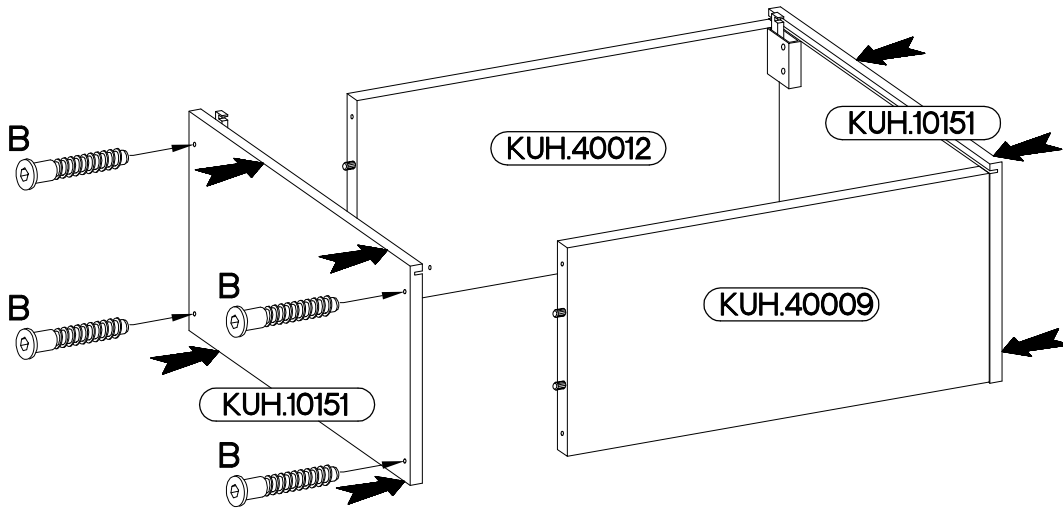
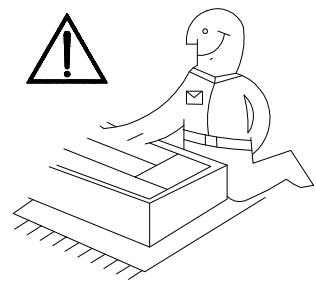
O

1



E1

4



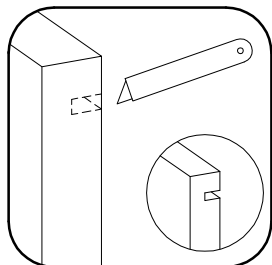
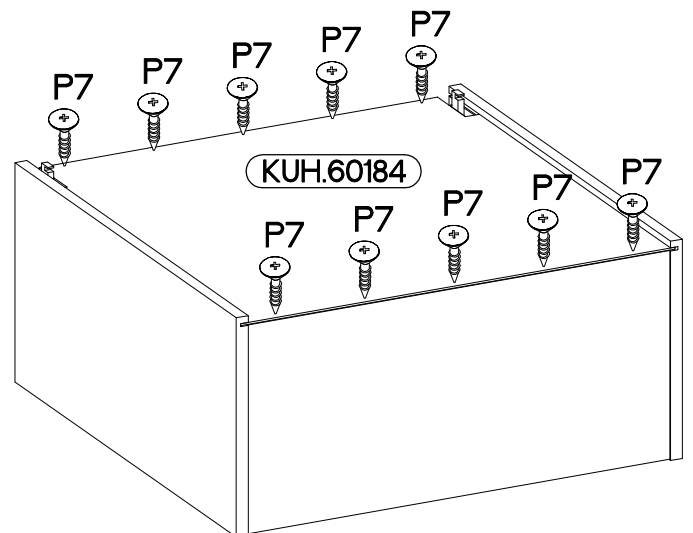
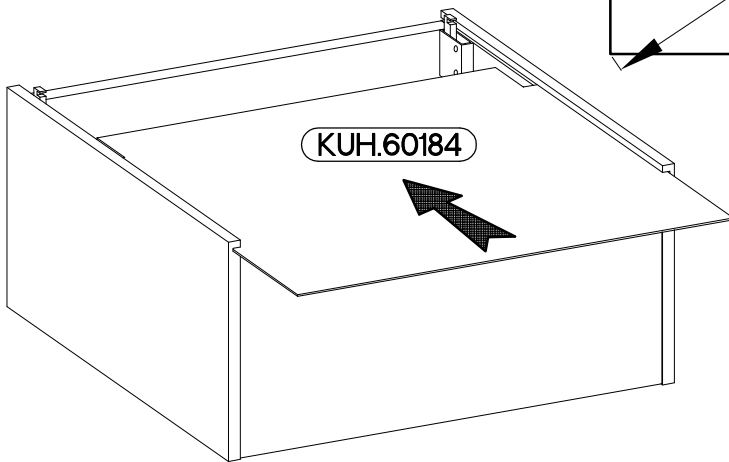
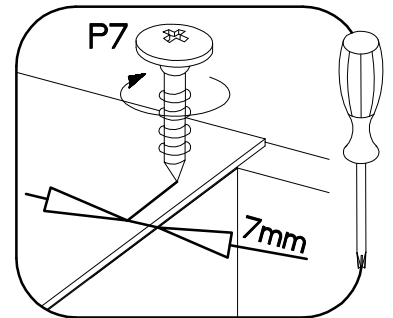
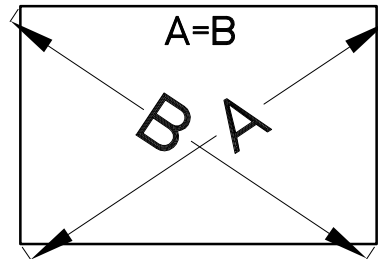
# 4

±3.0x20mm



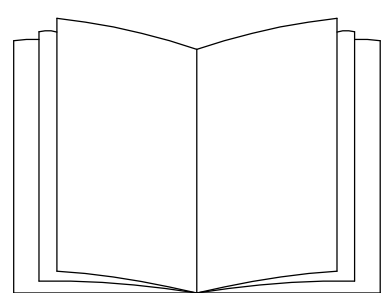
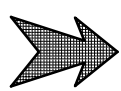
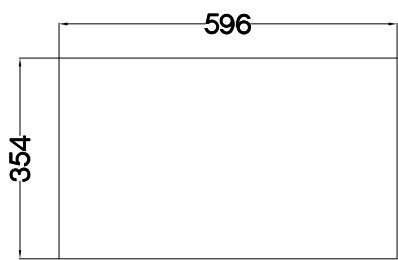
P7

8-10



5

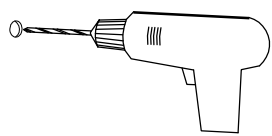
FRONT



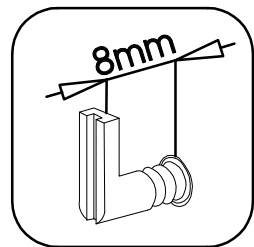
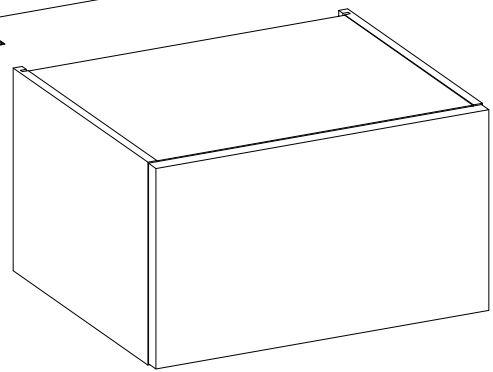
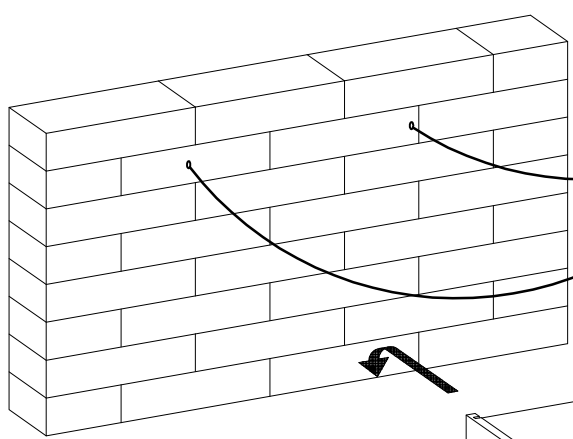
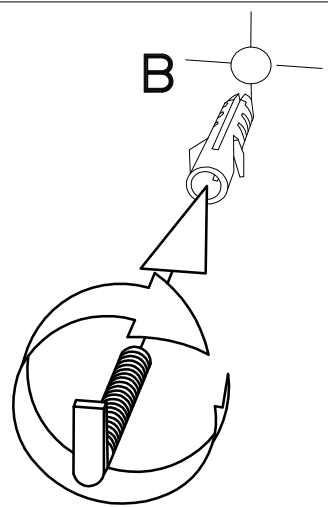
6

A

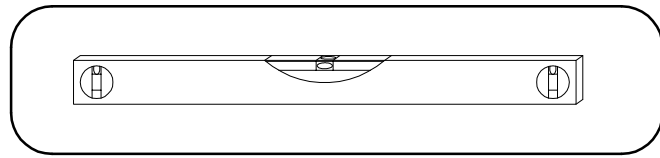
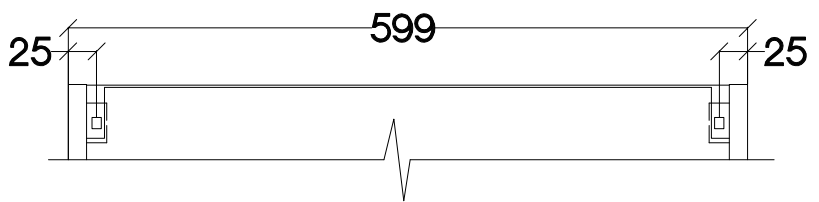
Ø10mm



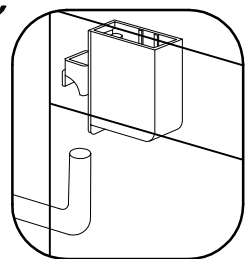
B



x2



C



D

