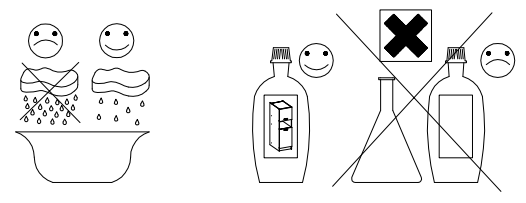
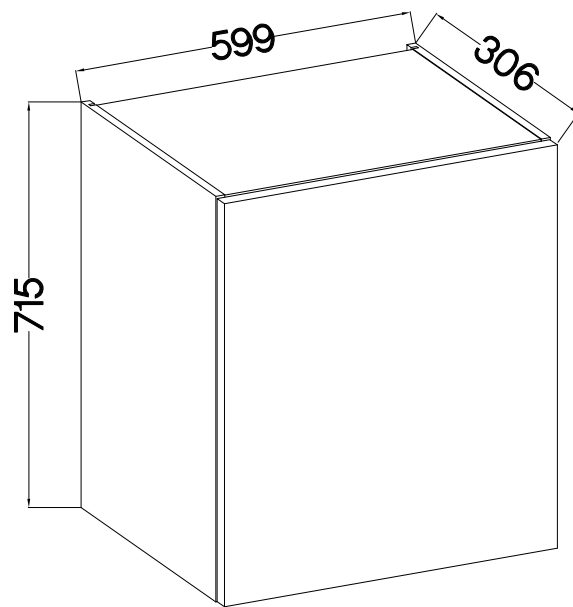
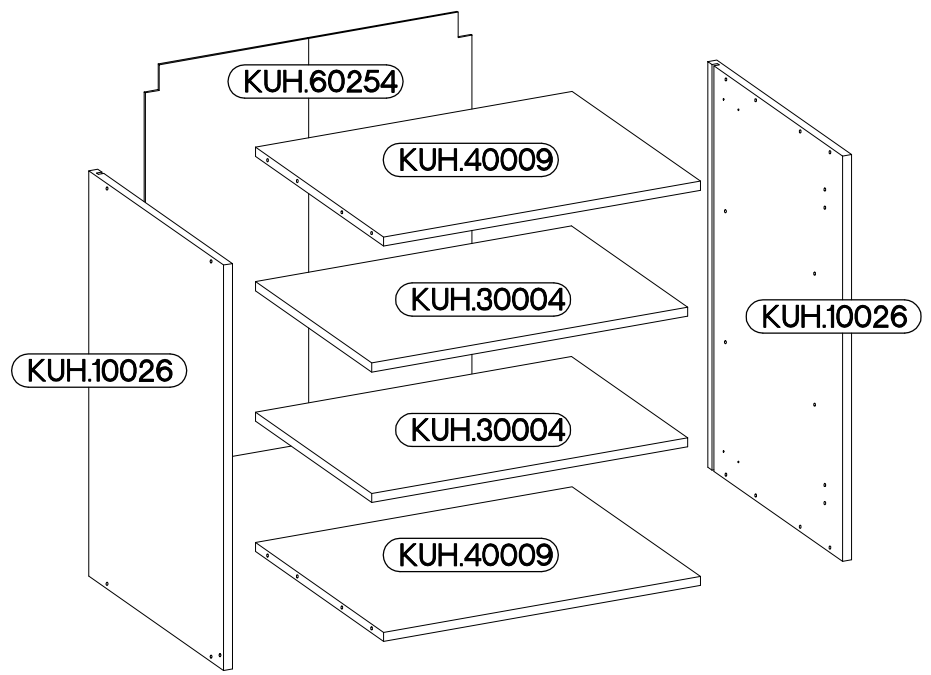
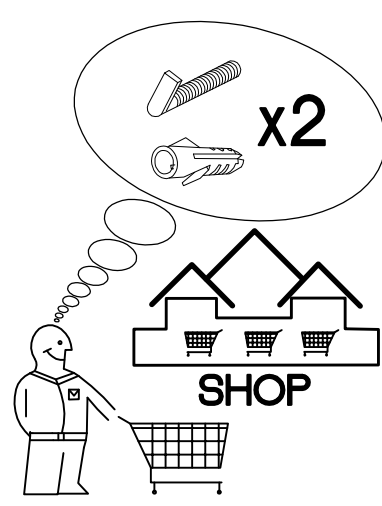
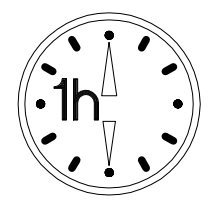


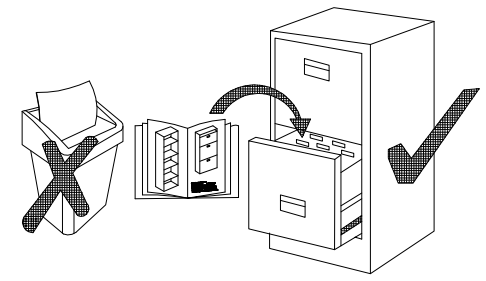
Ø10mm
60 G-72 1F



KUH.30004
KUH.40009

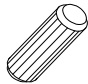




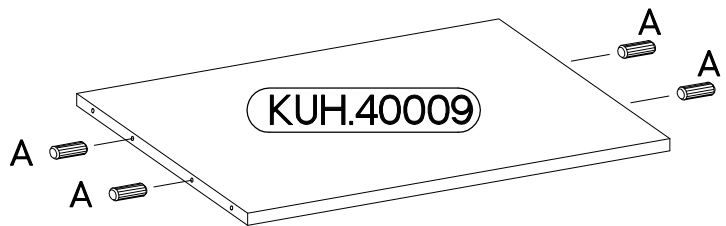
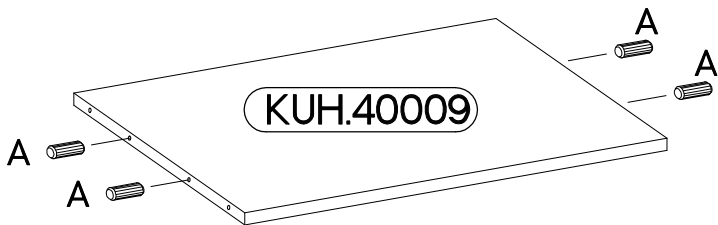
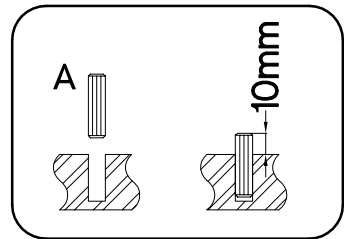
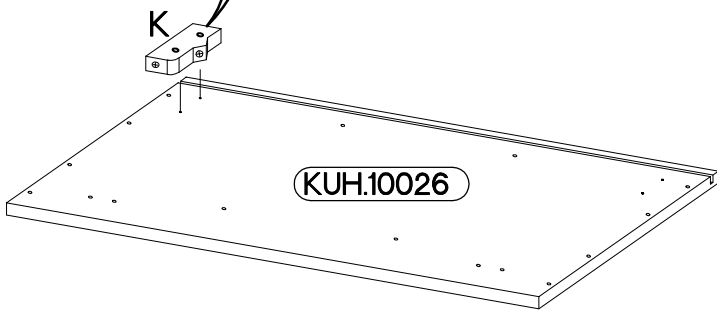
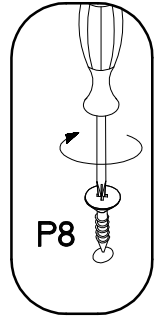
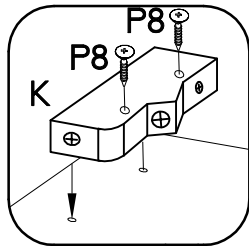
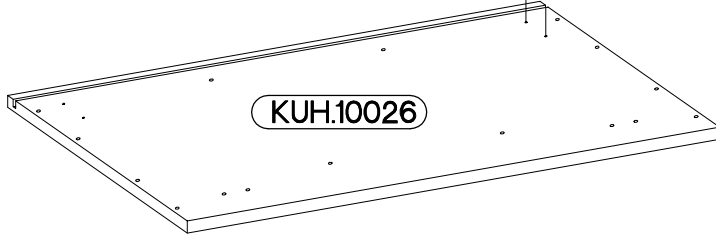
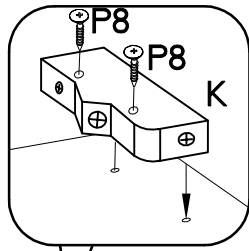
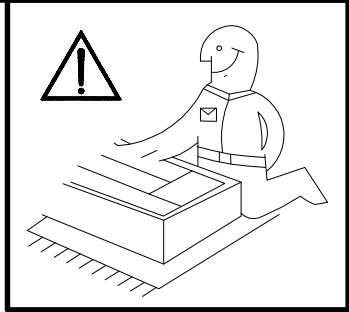
 A 8	 B 8	 E1 8	 HG 2	 P5 4	 P7 8-10	 P8 4
 J 8	 K 2	 O 1	 P5 4	 P7 8-10	 P8 4	



ISM-KUH-01142

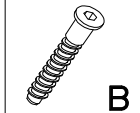
1

 A	 P8	 K
8	4	2



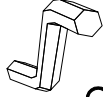
2

6,4 x 50mm



B

4



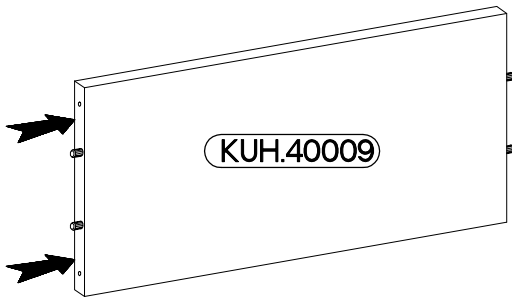
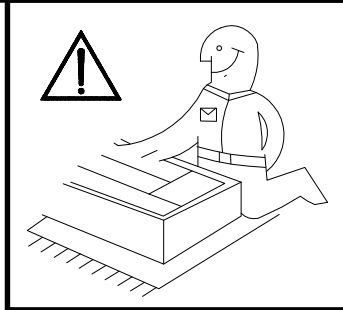
O

1



E1

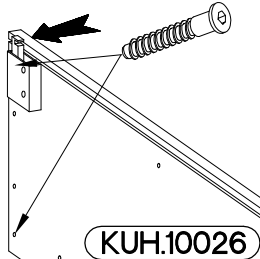
4



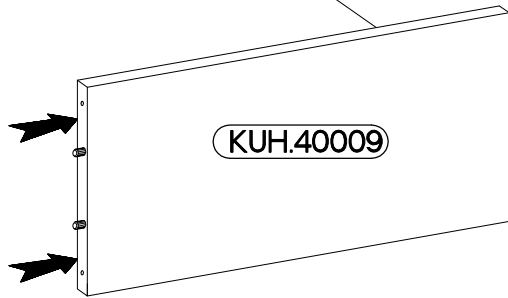
KUH.40009



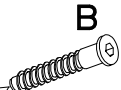
B



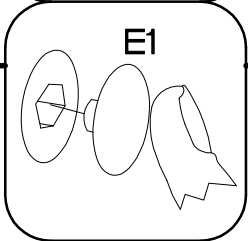
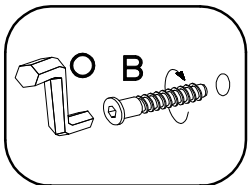
KUH.10026



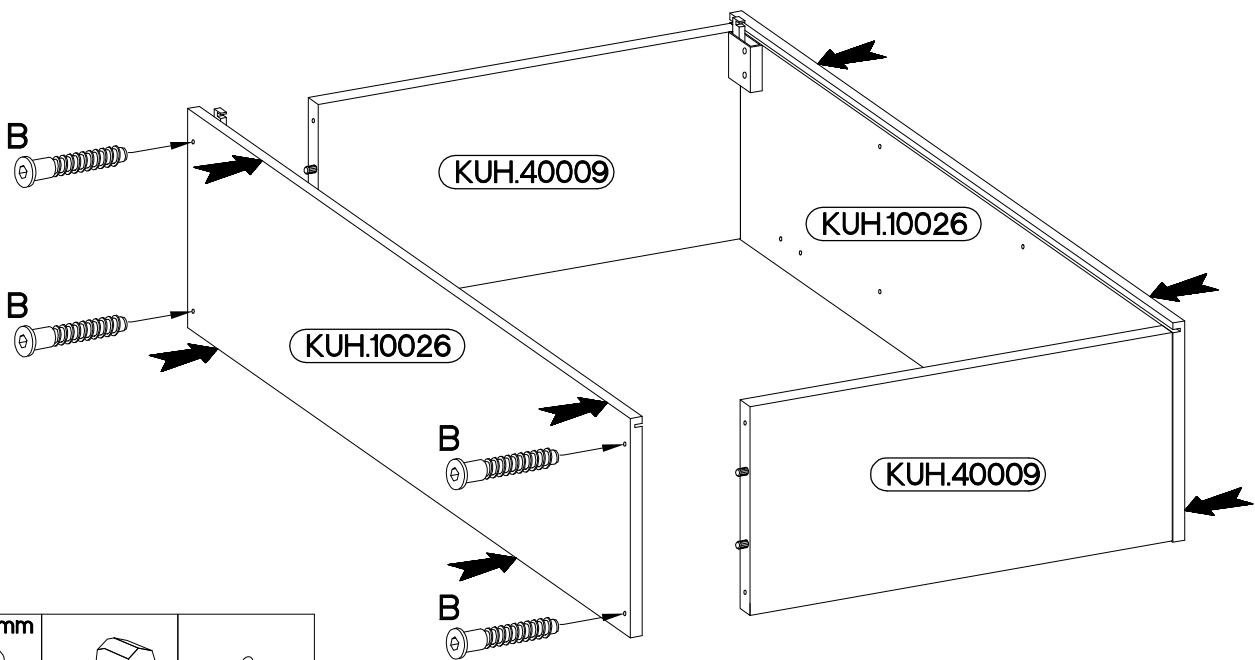
KUH.40009



B



3



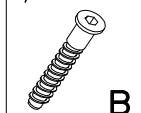
KUH.40009

KUH.10026

KUH.10026

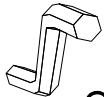
KUH.40009

6,4 x 50mm



B

4



O

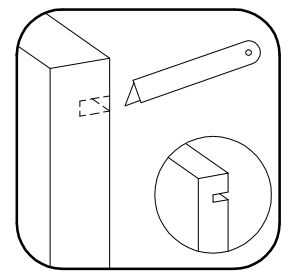
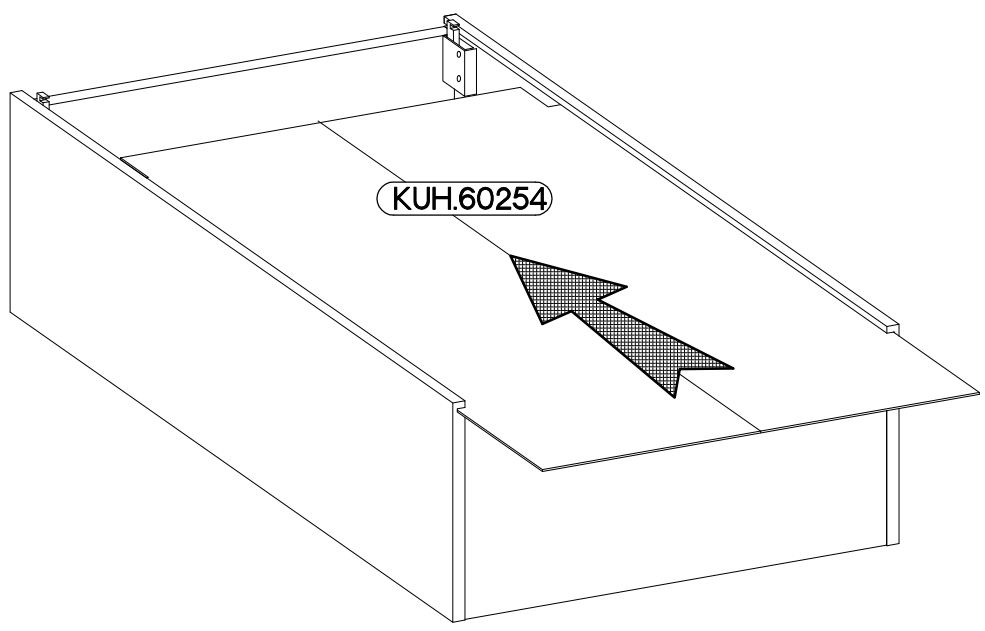
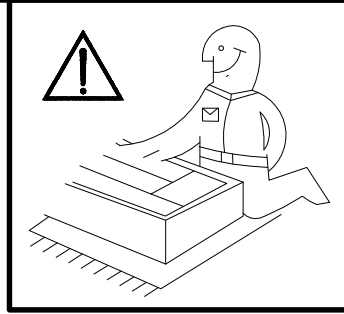
1



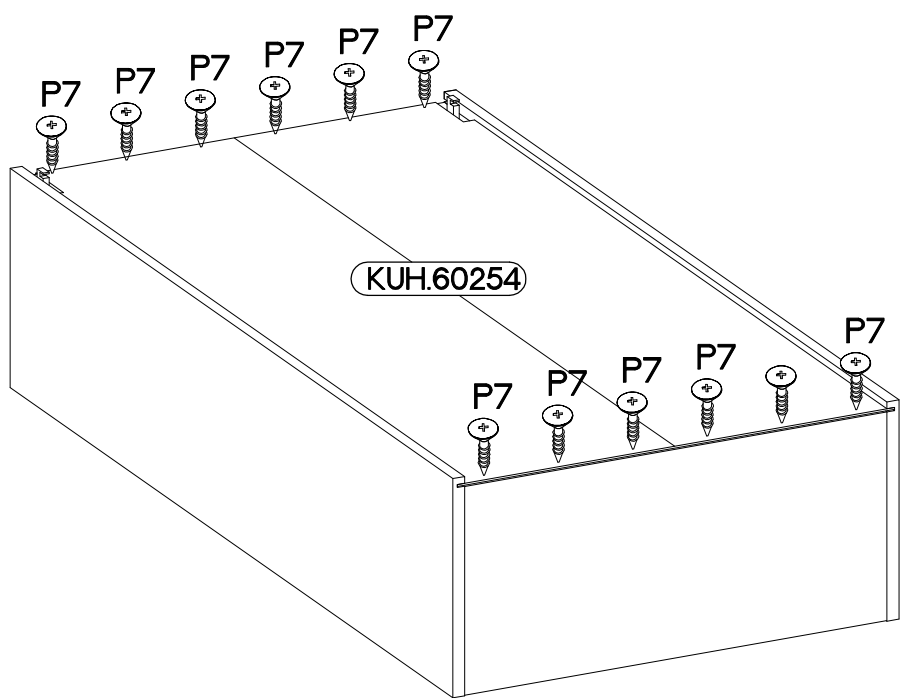
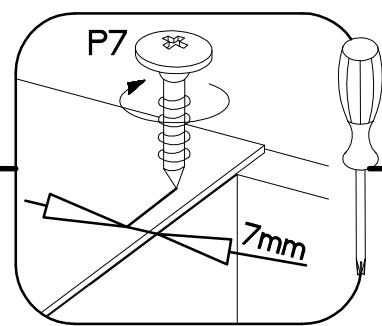
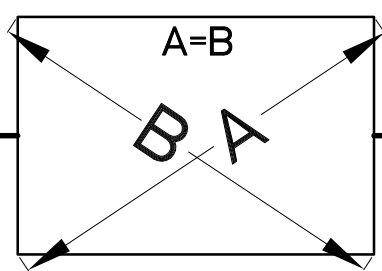
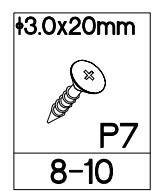
E1

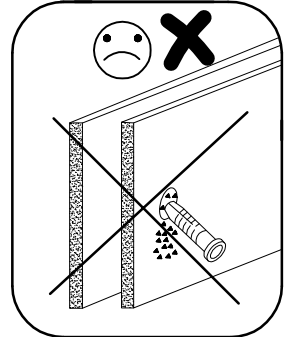
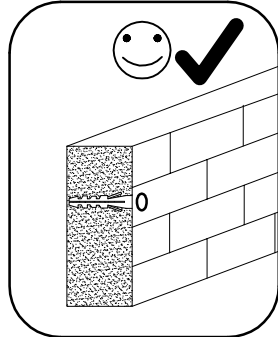
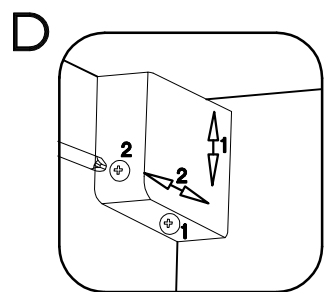
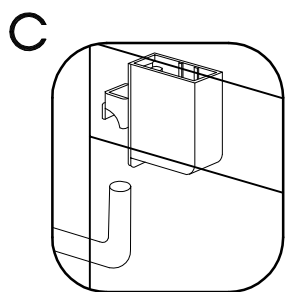
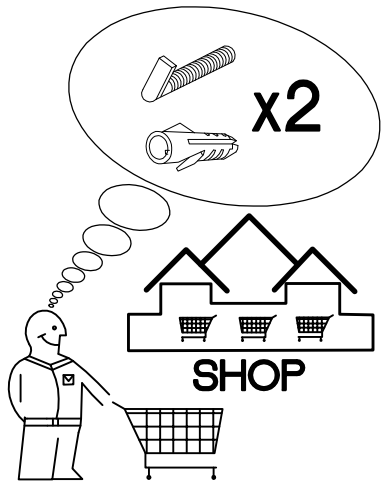
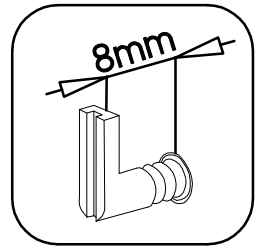
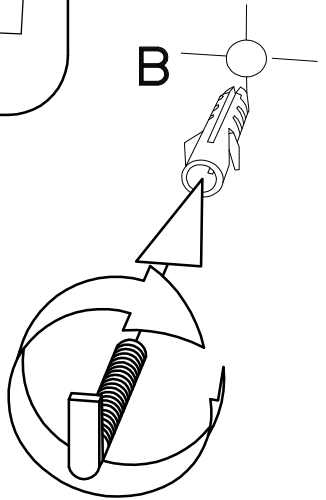
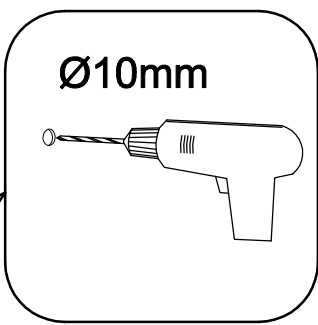
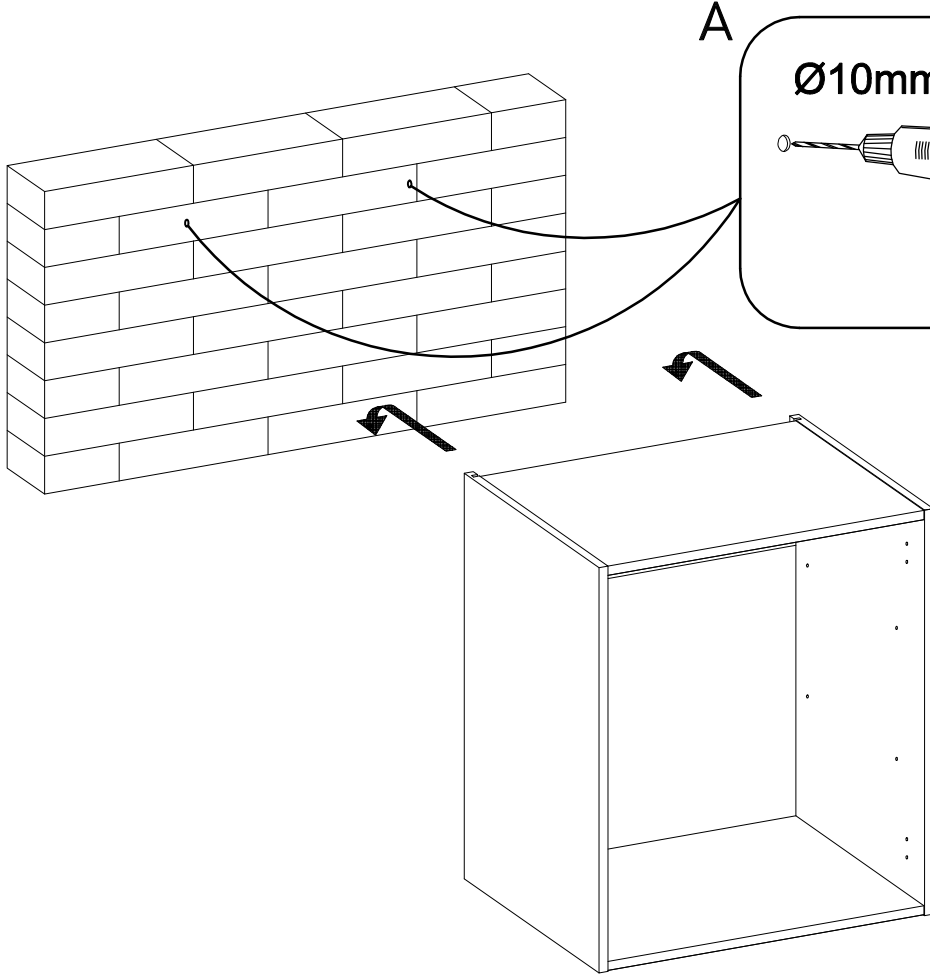
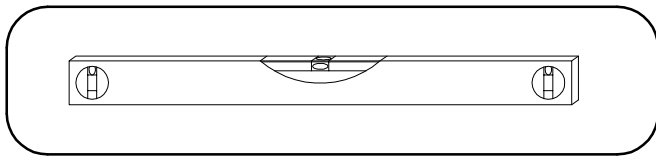
4

4

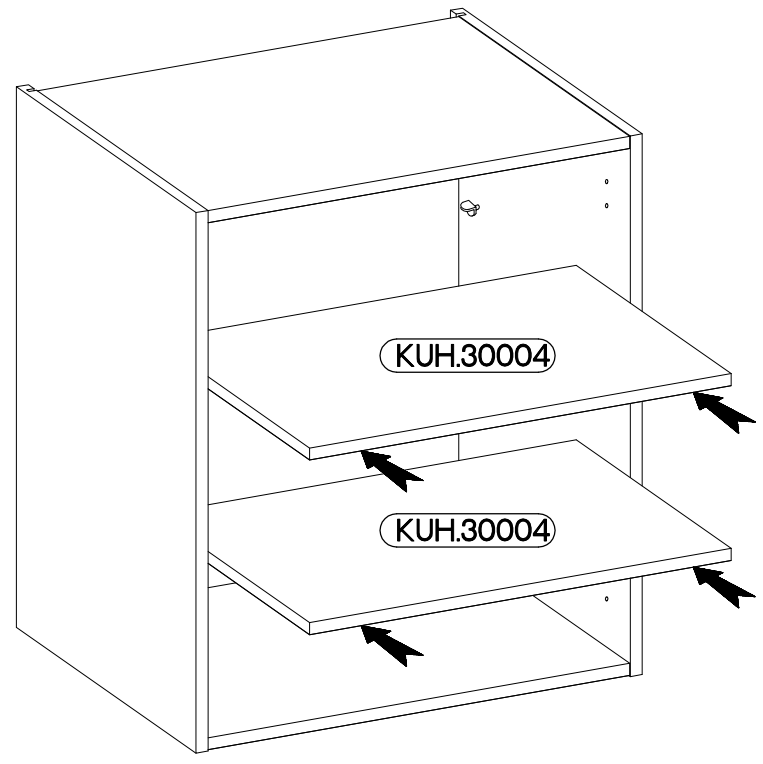
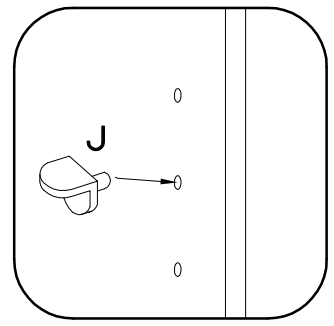
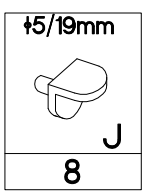


5





7



8

FRONT

