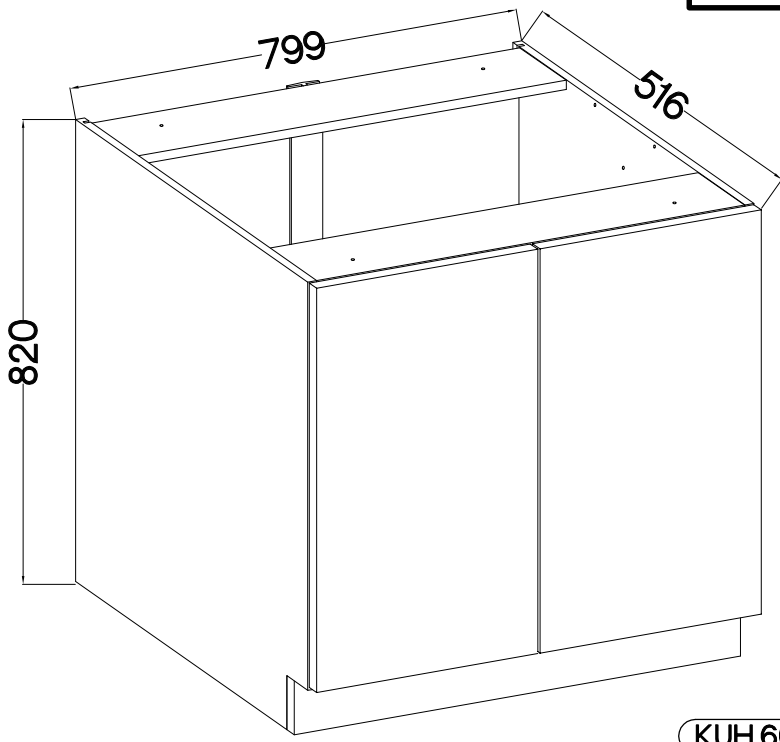
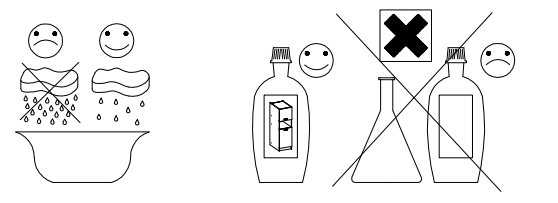
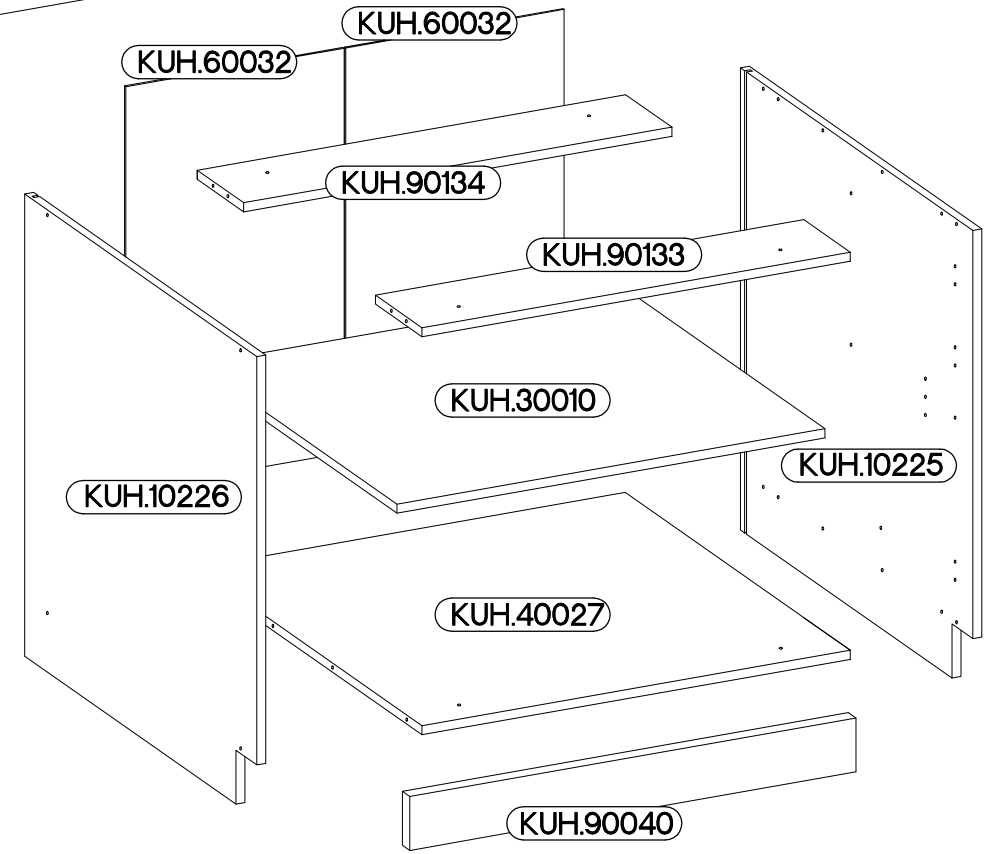
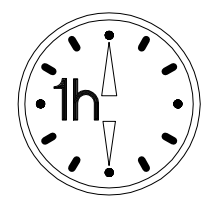


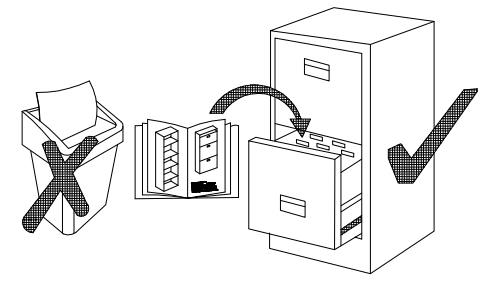
80 D 2F BB



max. 10kg  
 KUH.30010  
 KUH.40027

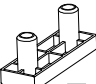
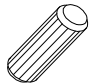


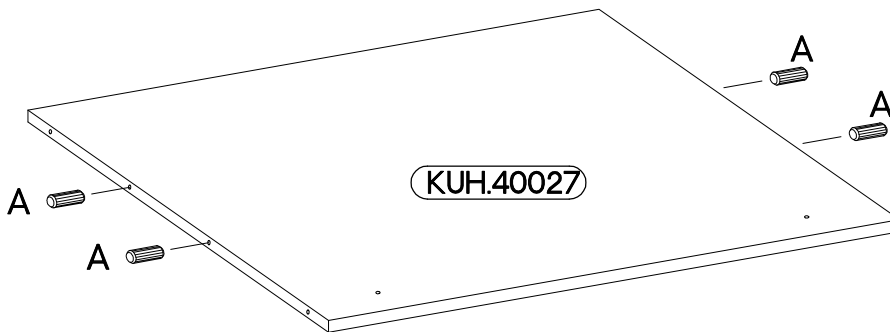
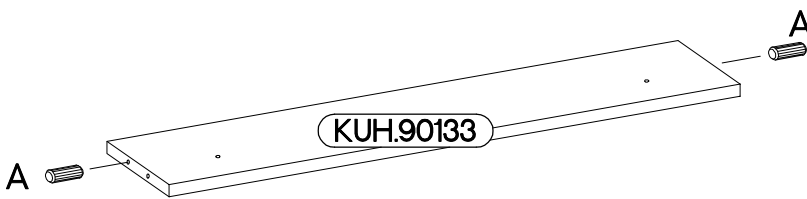
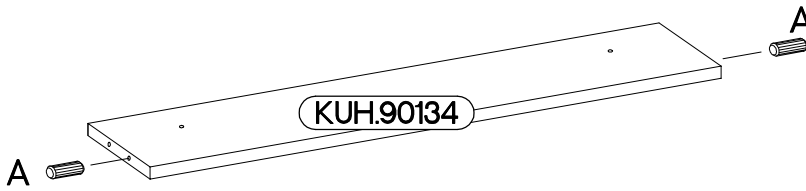
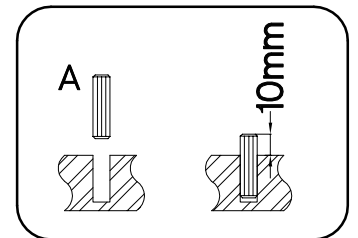
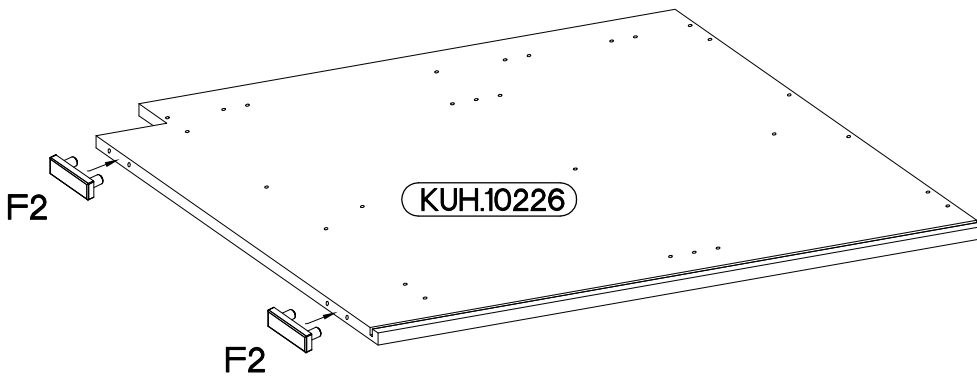
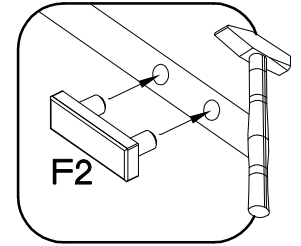
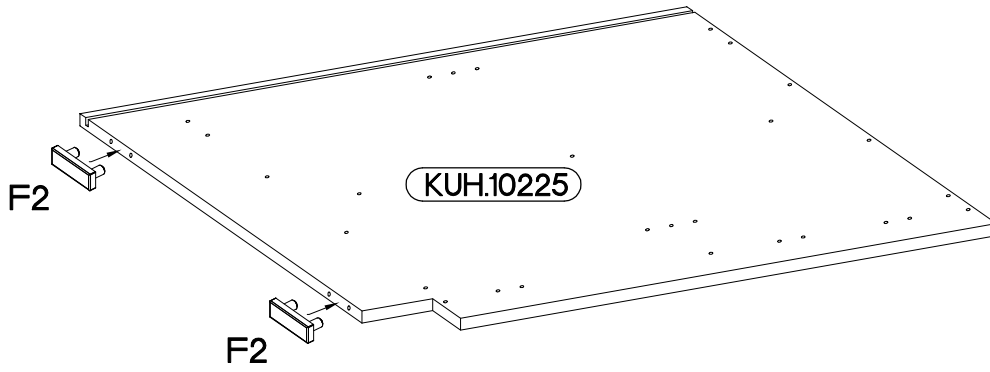
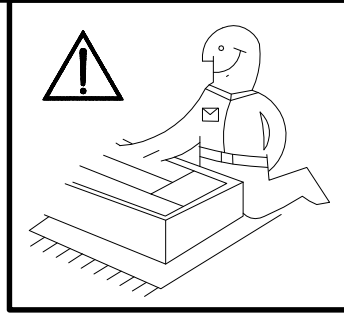
 8x30mm A 8	 6,4 x 50mm B 8	 E1 8	 E9 2	 6.5x48x16 F2 4	 +35/0mm HG 4	
 +5/19mm J 4	 L1=680mm L1 1	 O 1	 +4.0x45mm P4 2	 +3.5x13mm P5 8	 +3.0x20mm P7 10-15	 +4.0x35mm R3 4



ISM-KUH-01143

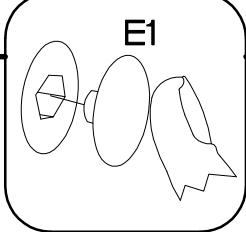
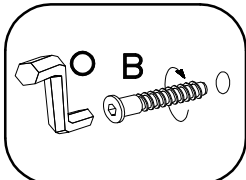
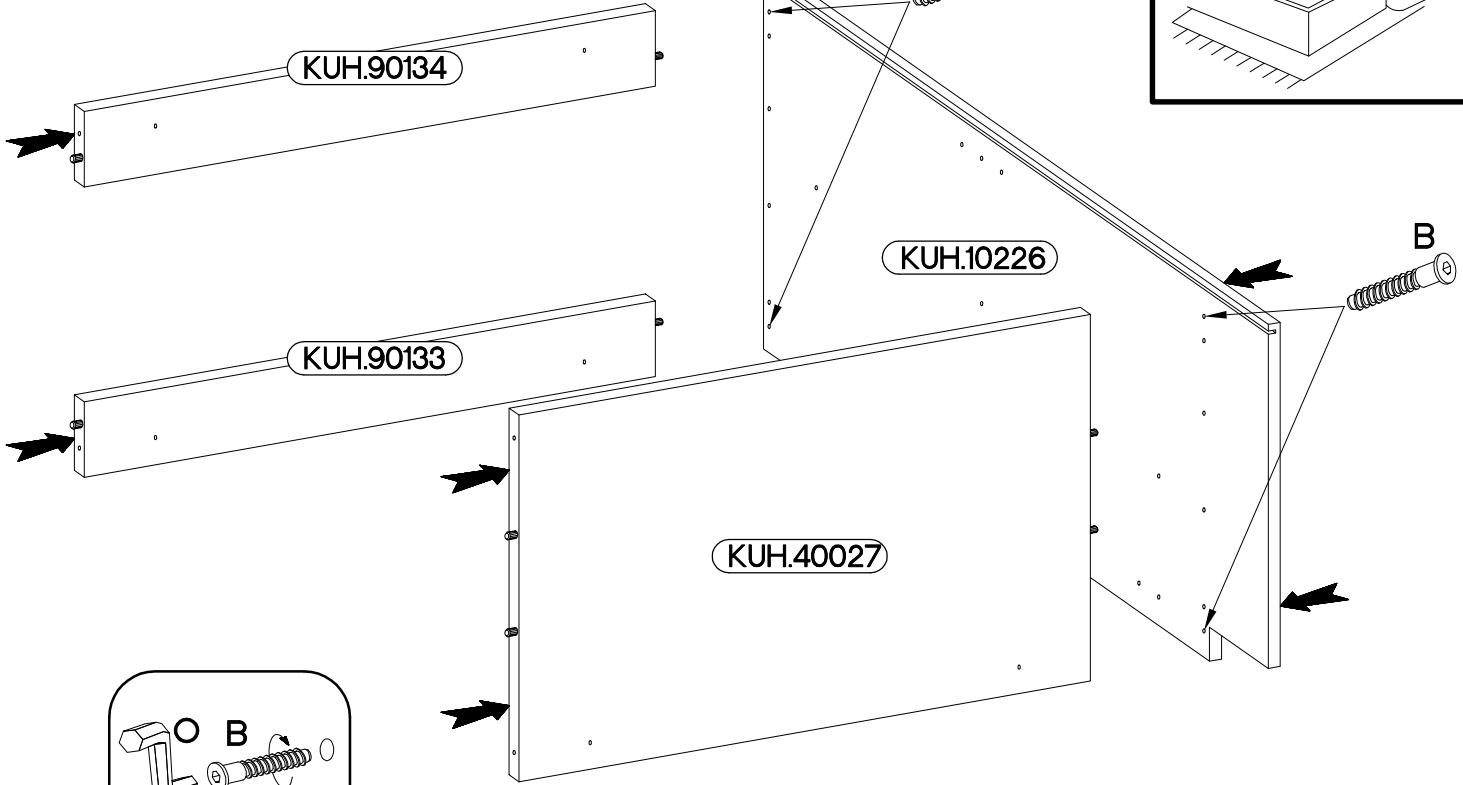
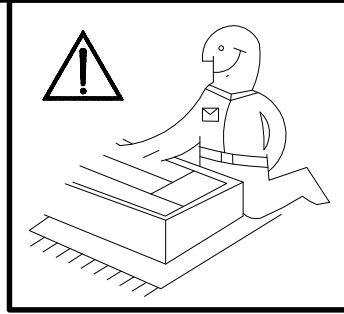
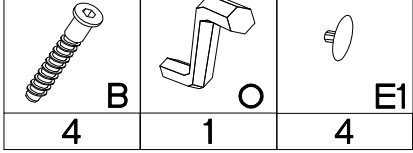
1

6.5x48x16  F2 4	+8x30mm  A 8
--	---

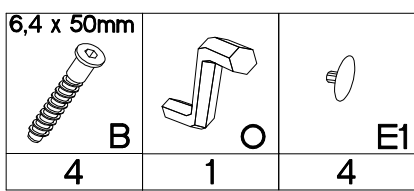
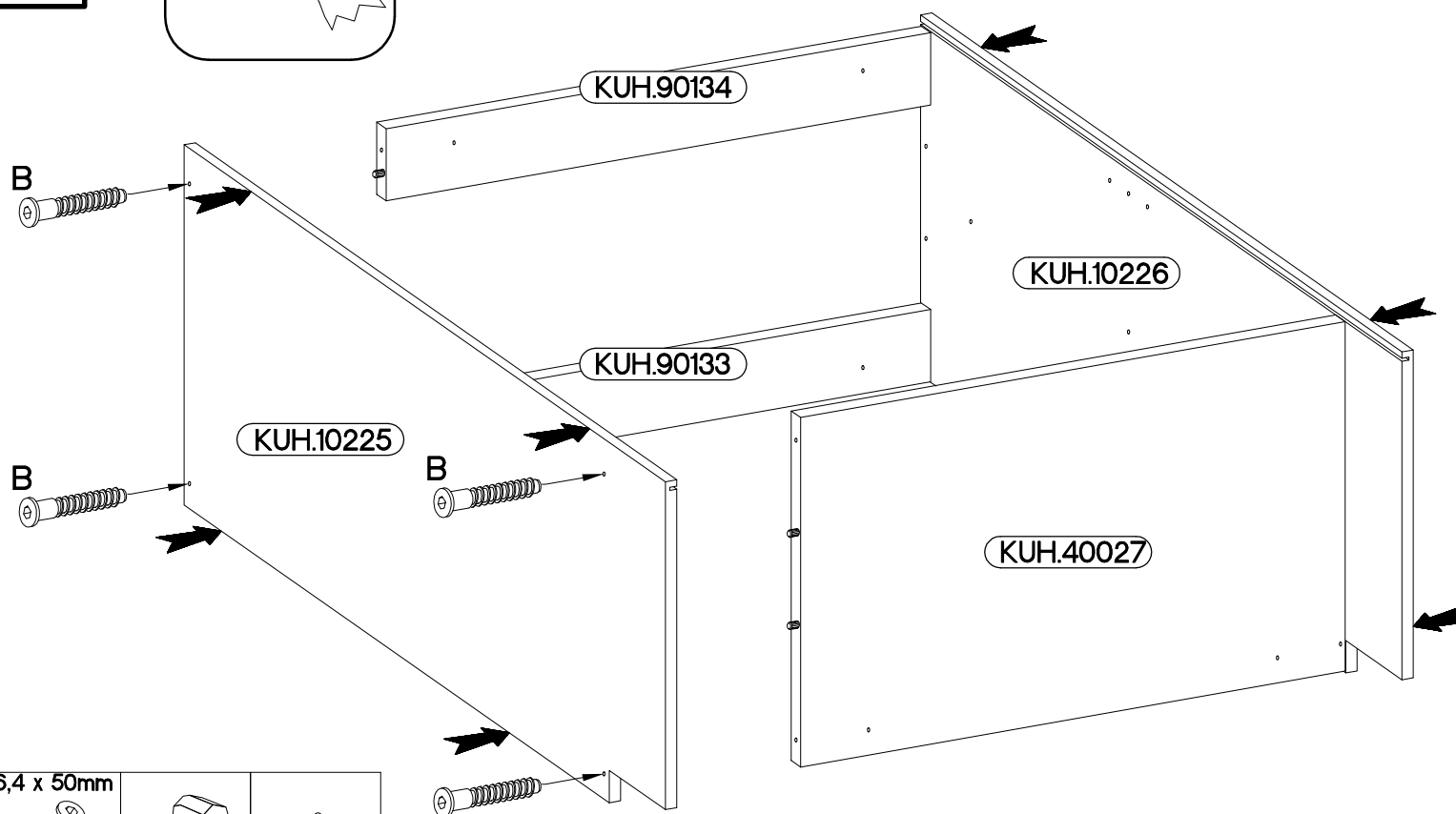


2

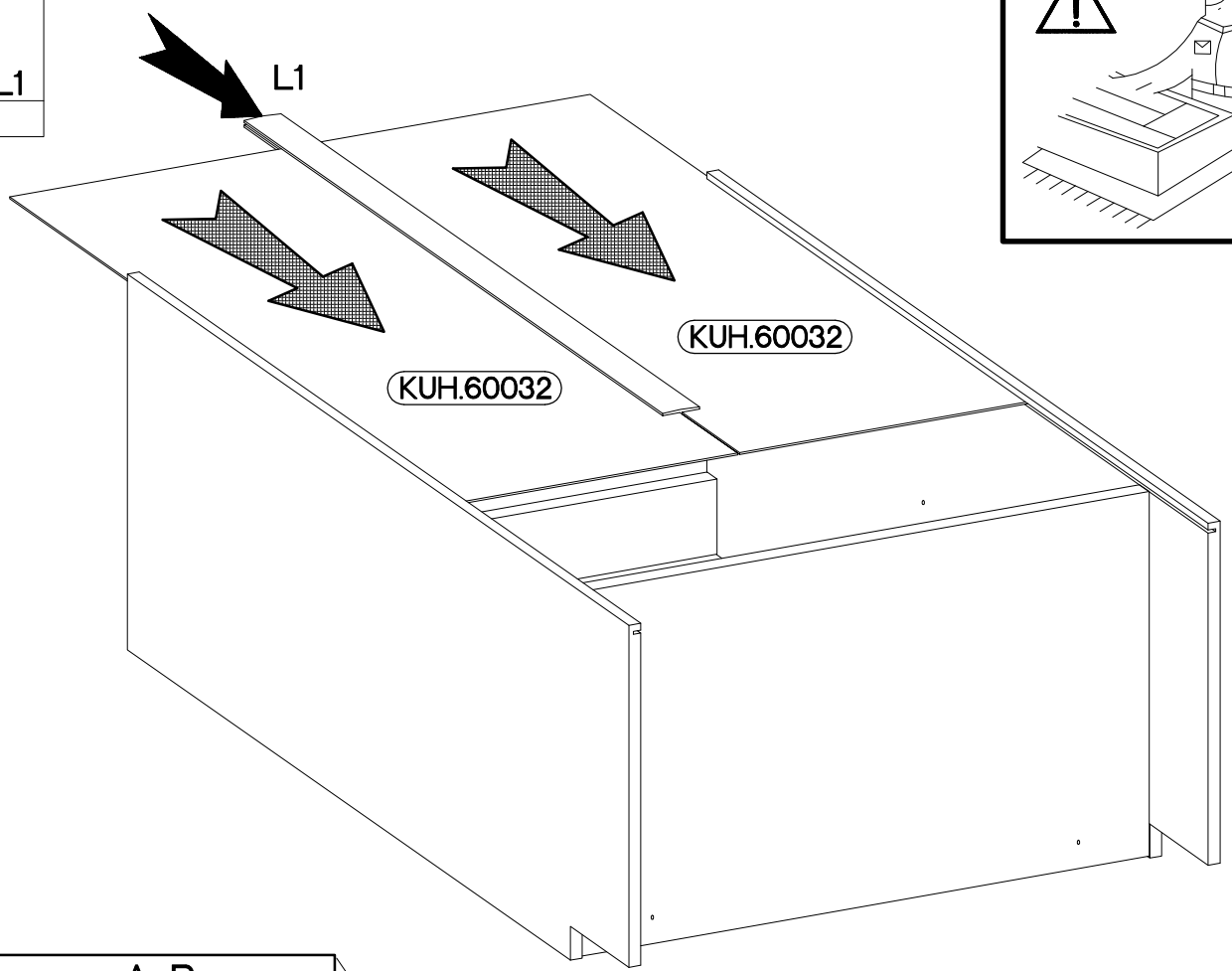
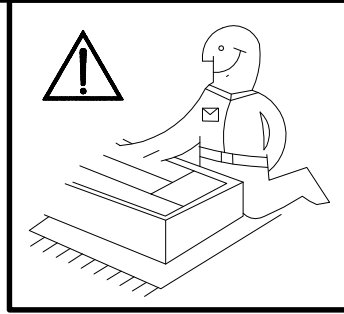
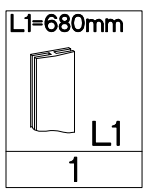
6,4 x 50mm



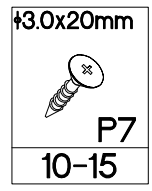
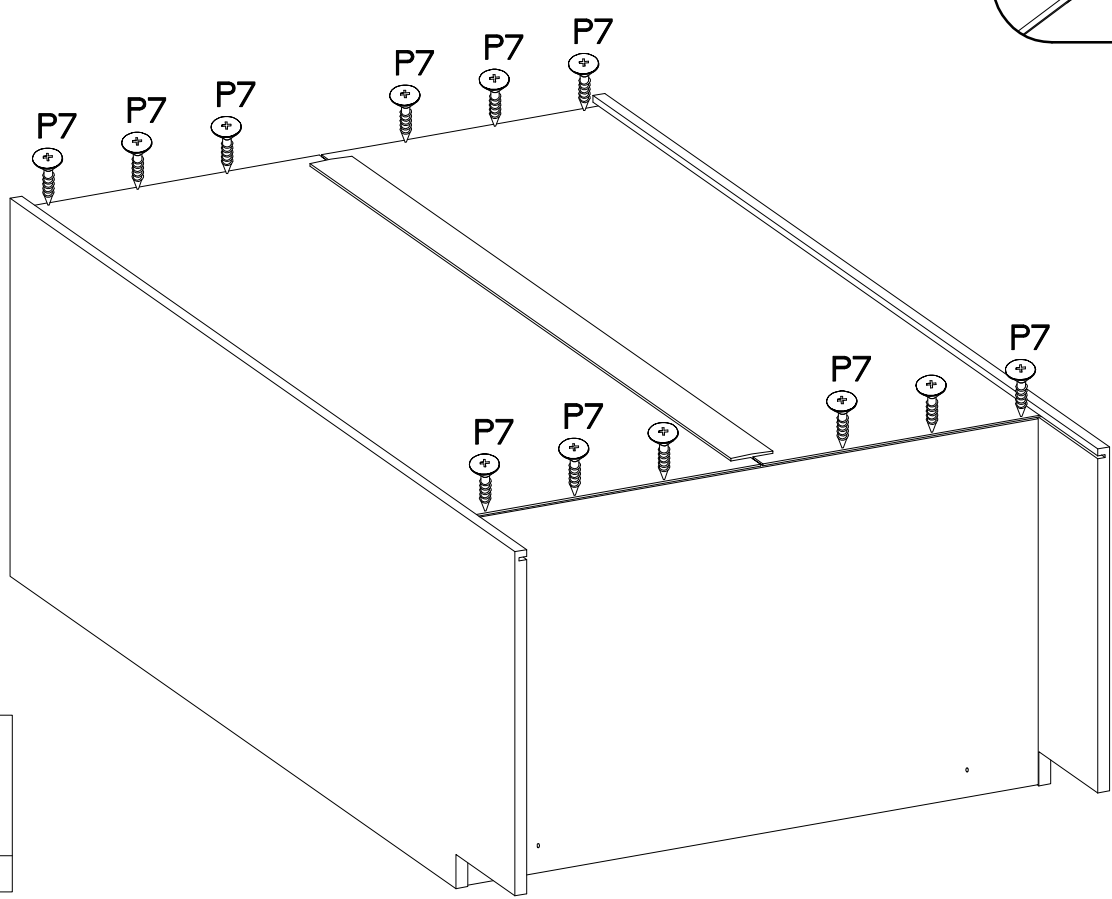
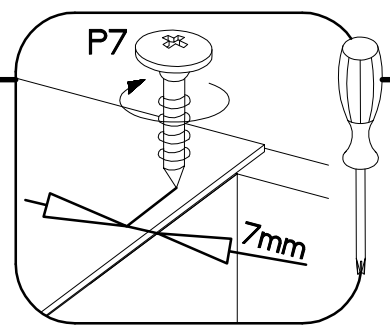
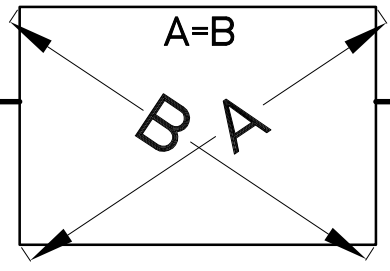
3





4

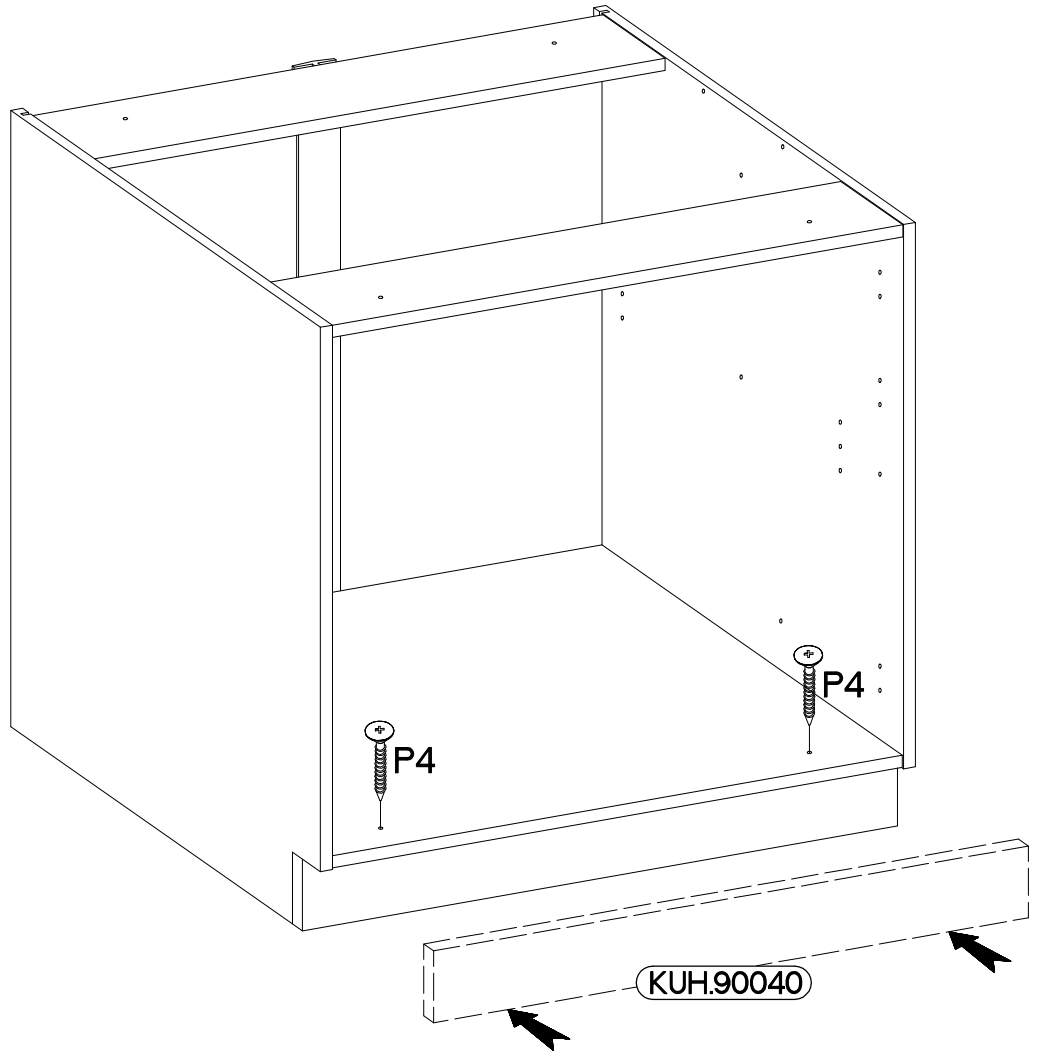
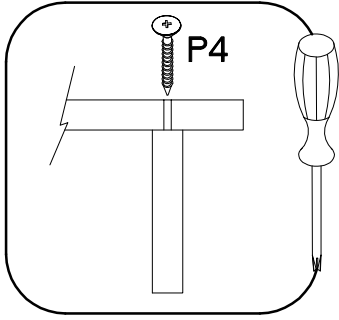


5

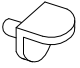


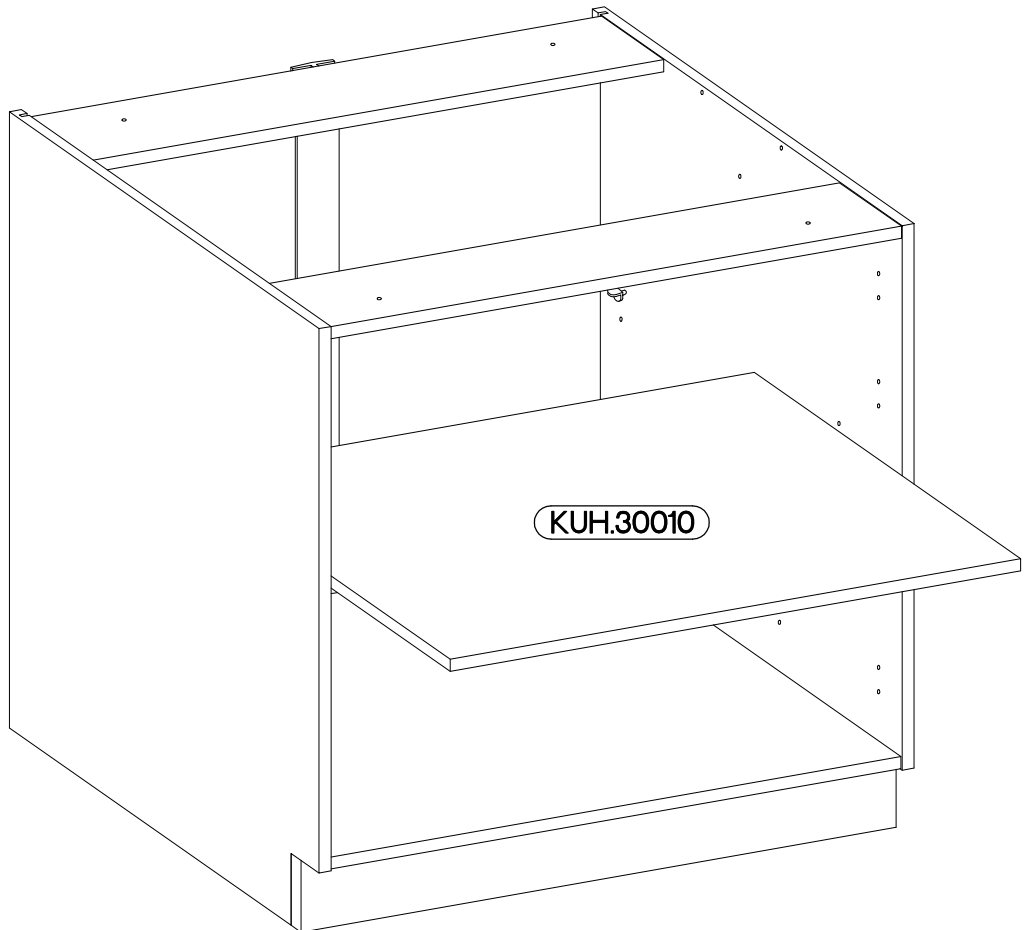
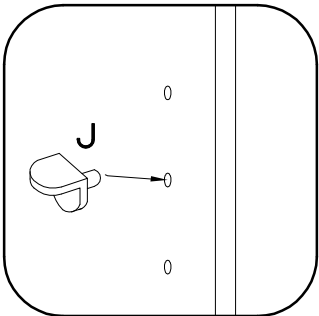
6

$\pm 4.0 \times 45 \text{mm}$  P4	 E9
2	2

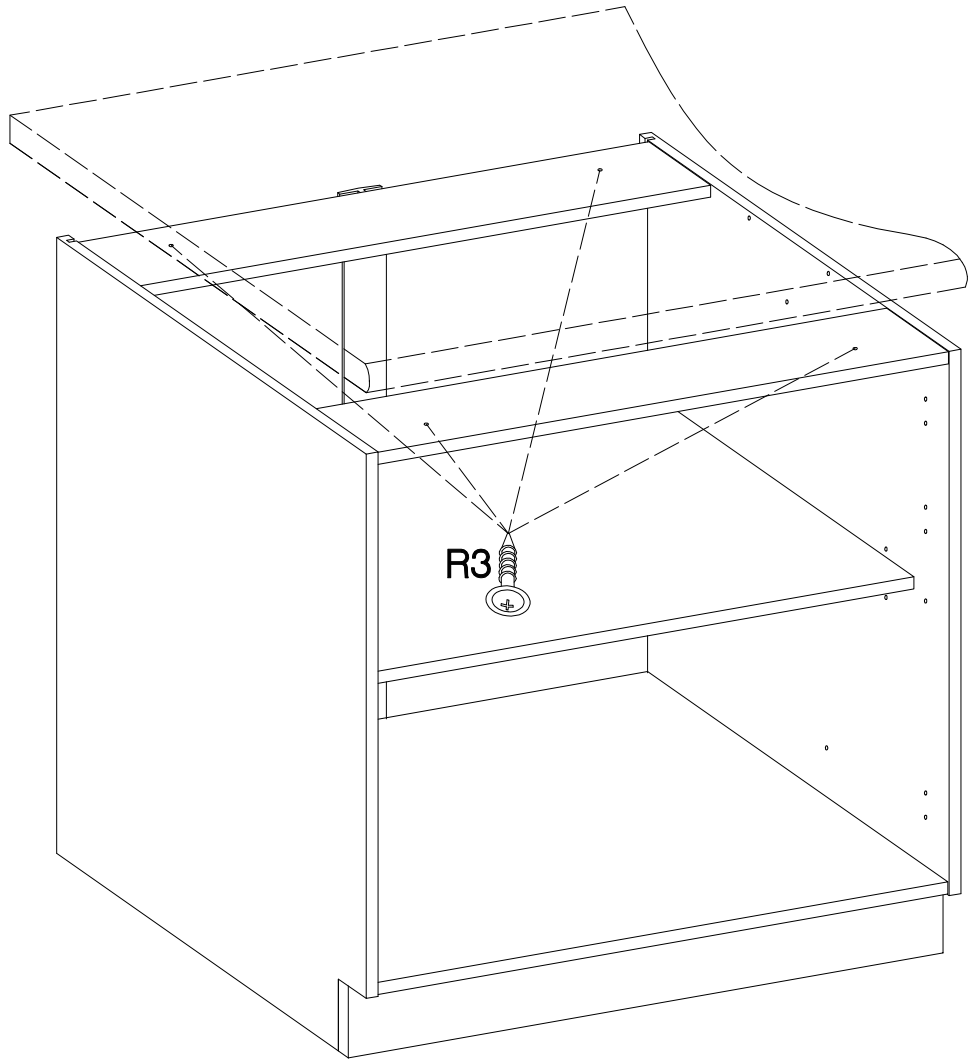
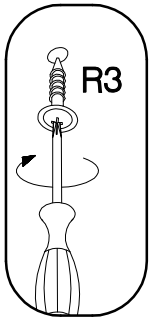
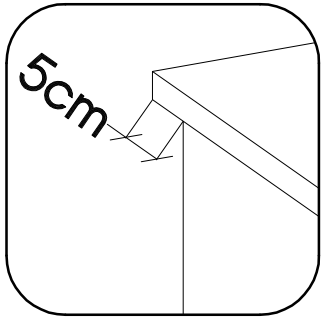
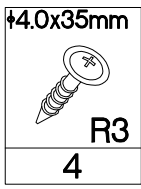


7

$\pm 5/19 \text{mm}$  J
4



8



9

FRONT

