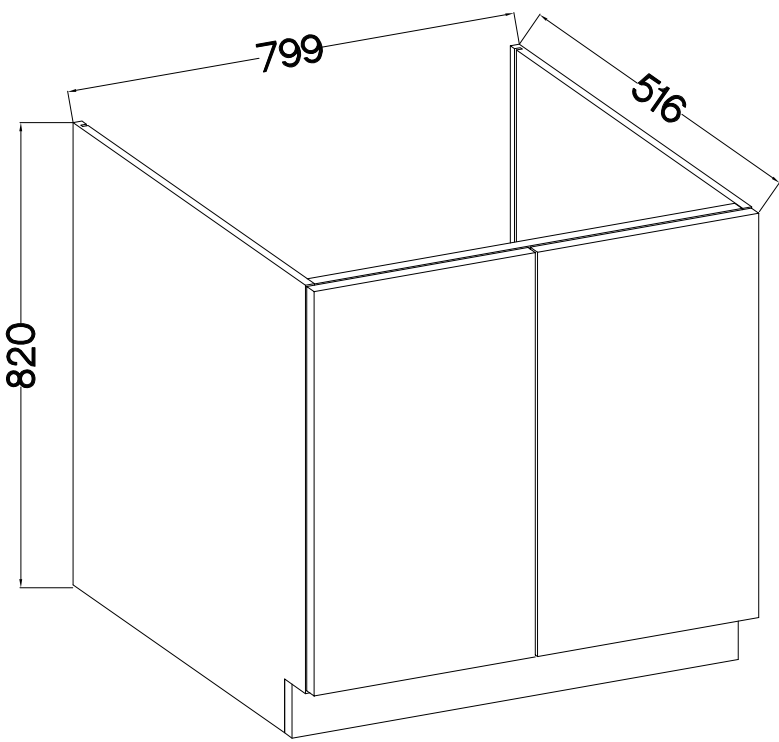
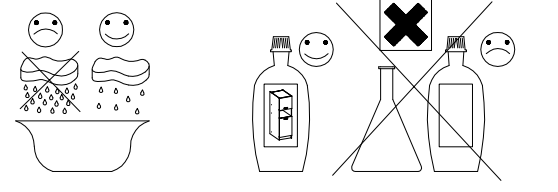
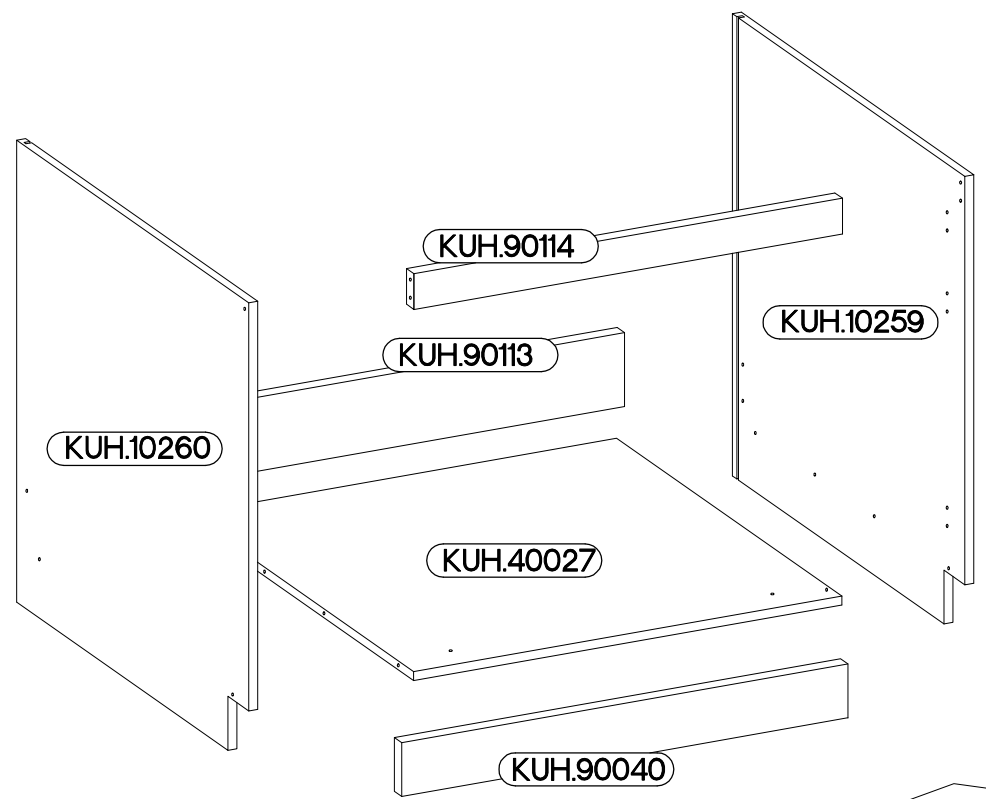
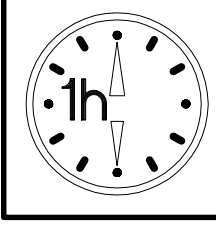


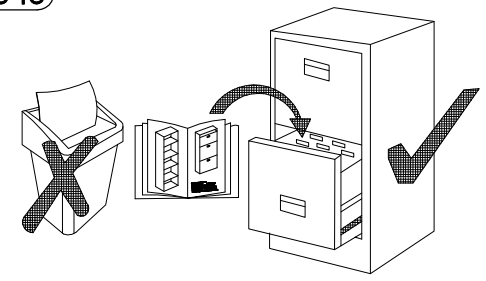
80 ZL 2F BB



max. 10kg
KUH.40027

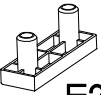
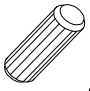


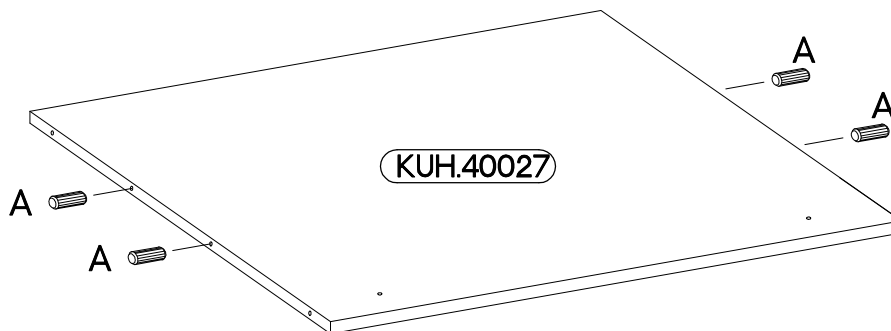
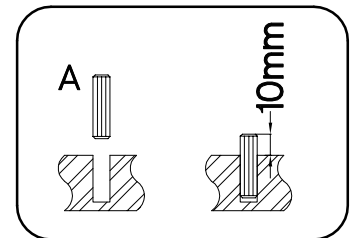
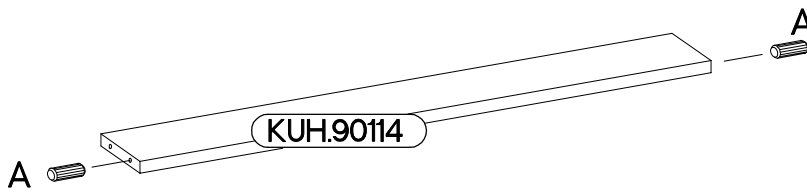
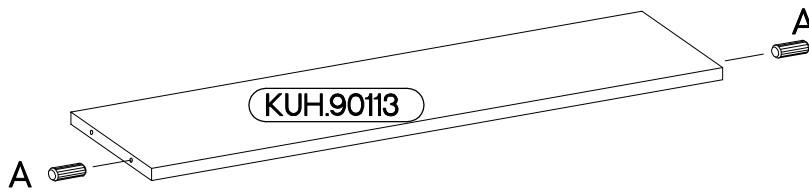
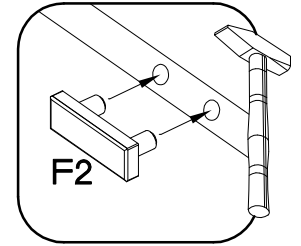
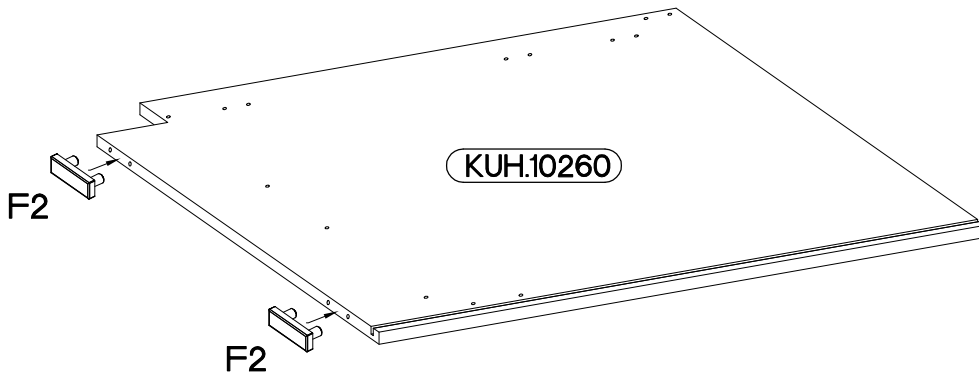
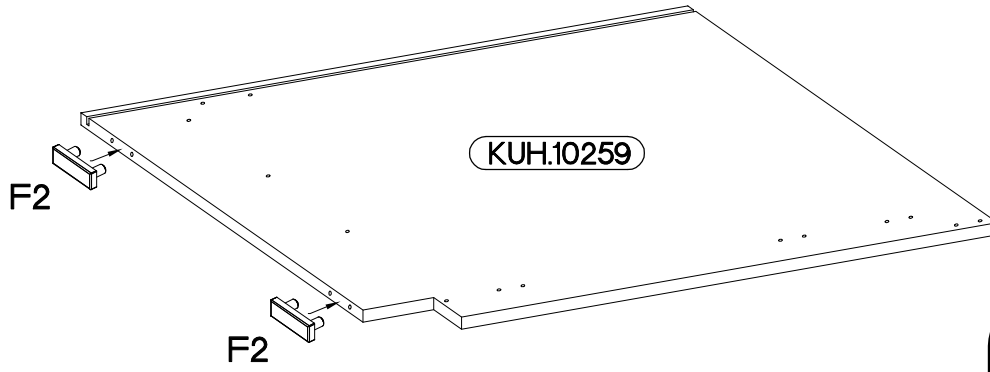
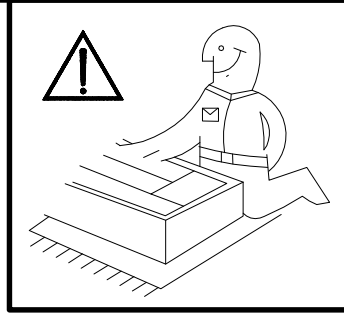
+8x30mm A 8	6,4 x 50mm B 8	 E1 8
 E9 2	6.5x48x16 F2 4	+35/0mm HG 4
 O 1	+4.0x45mm P4 2	+3.5x13mm P5 8



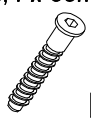
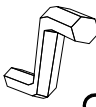

ISM-KUH-01144

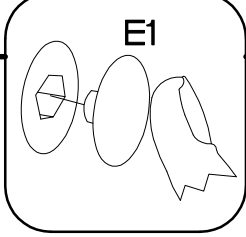
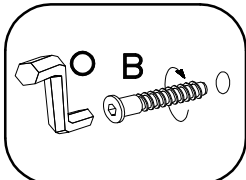
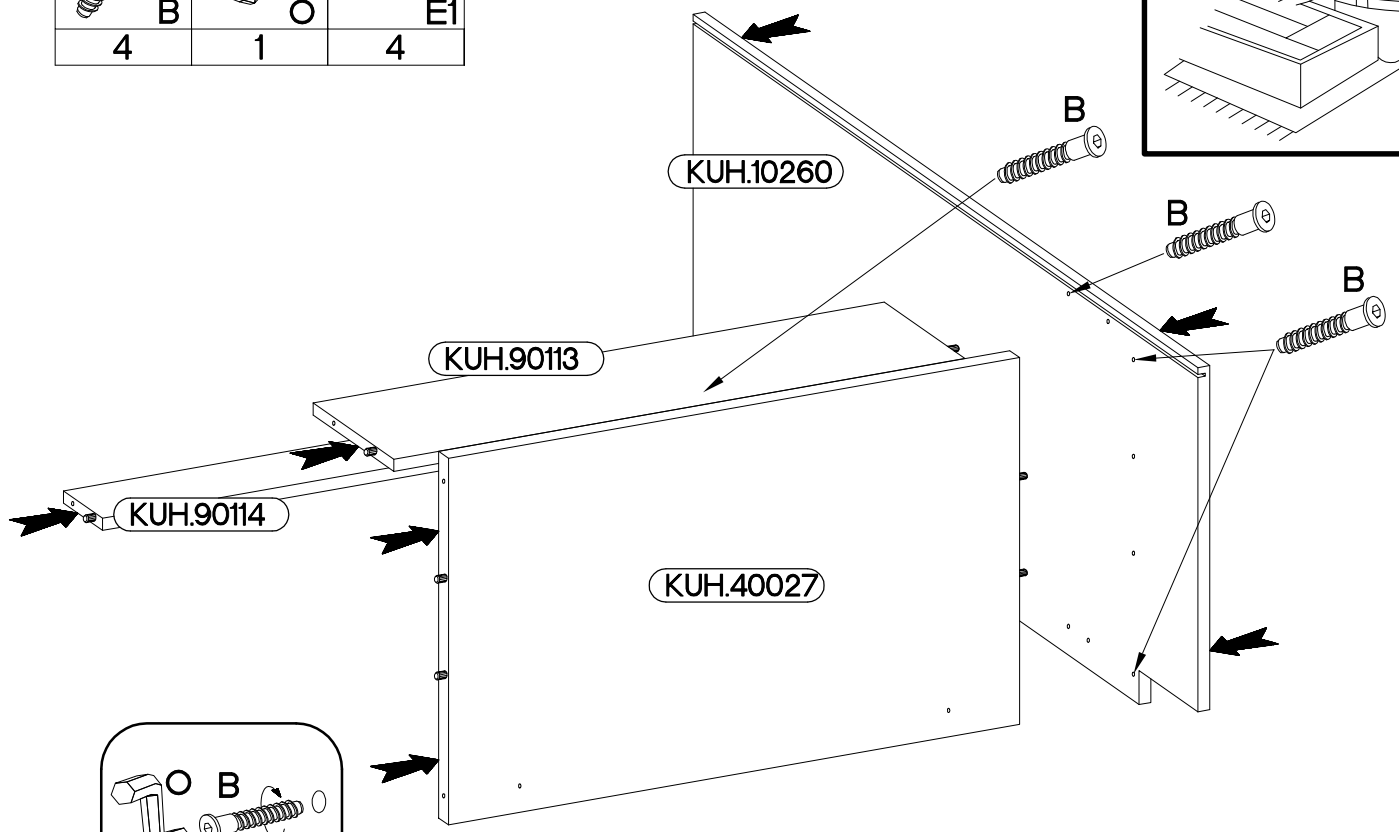
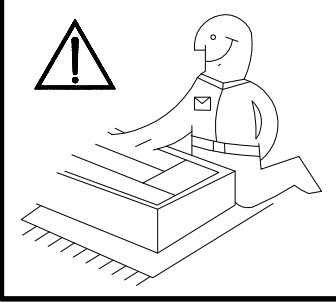
1

6.5x48x16  F2 4	+8x30mm  A 8
--	---

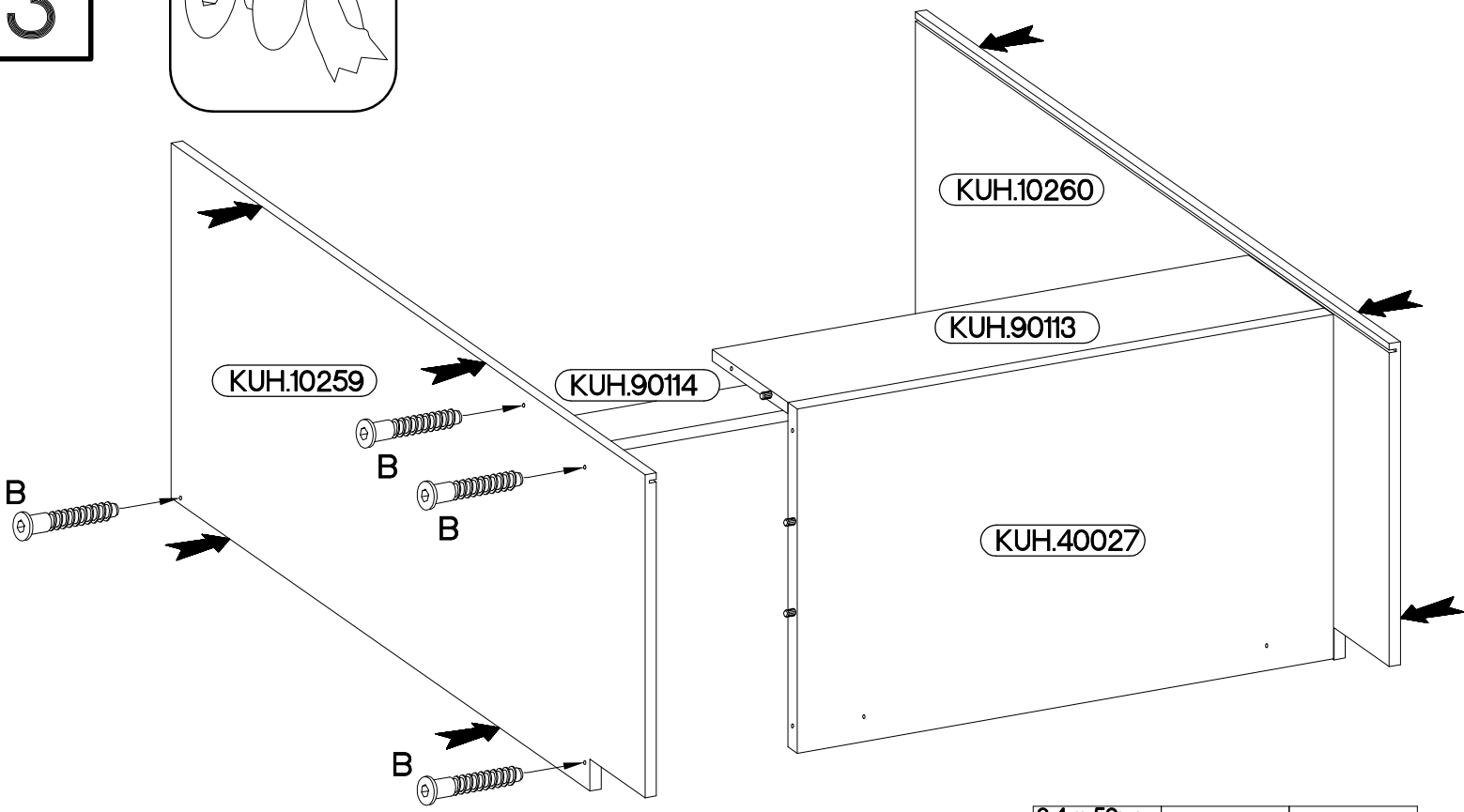



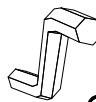

2

6,4 x 50mm		
		
B	O	E1
4	1	4






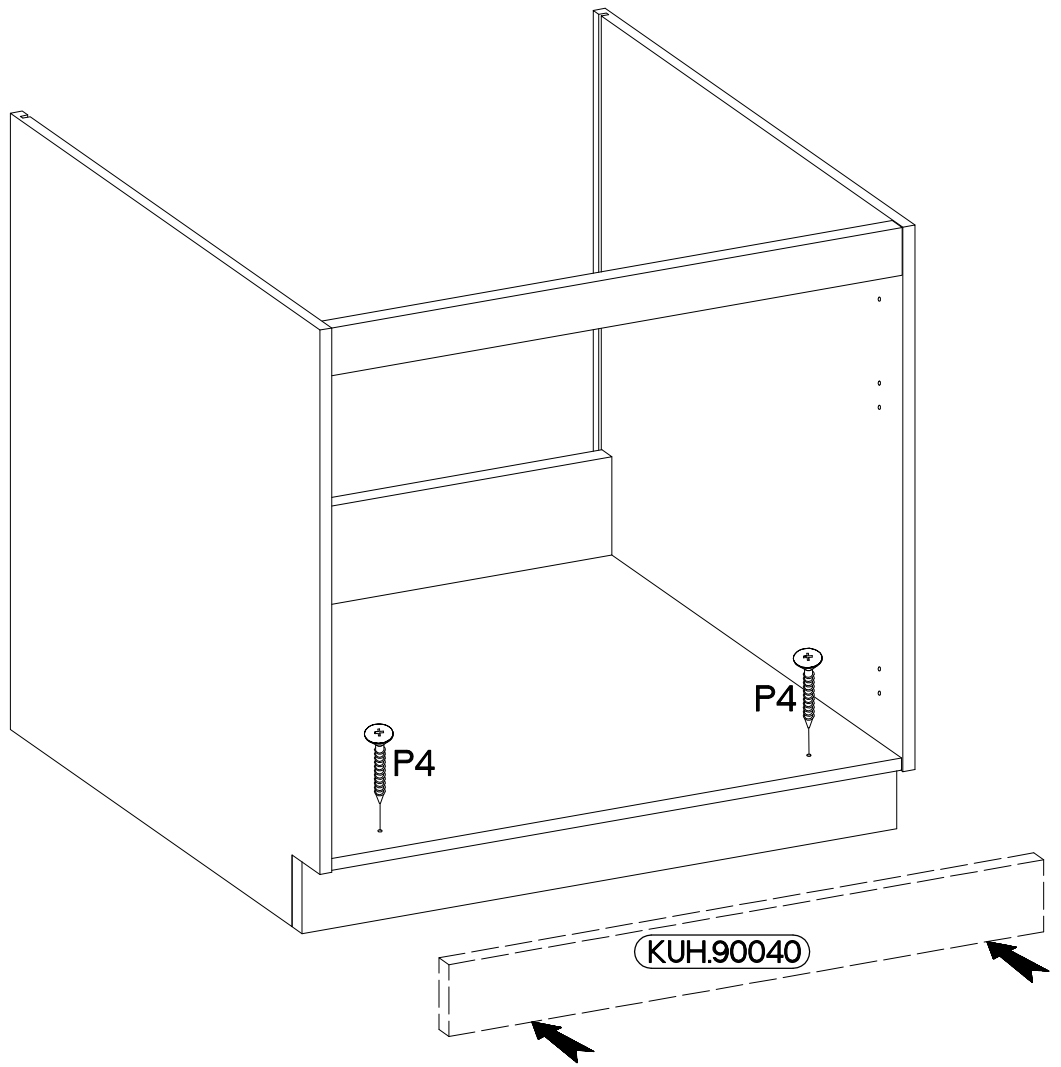
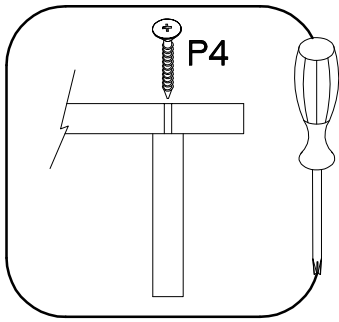
3



6,4 x 50mm		
		
B	O	E1
4	1	4

4

4.0x45mm	
	
P4	E9
2	2



5

FRONT

