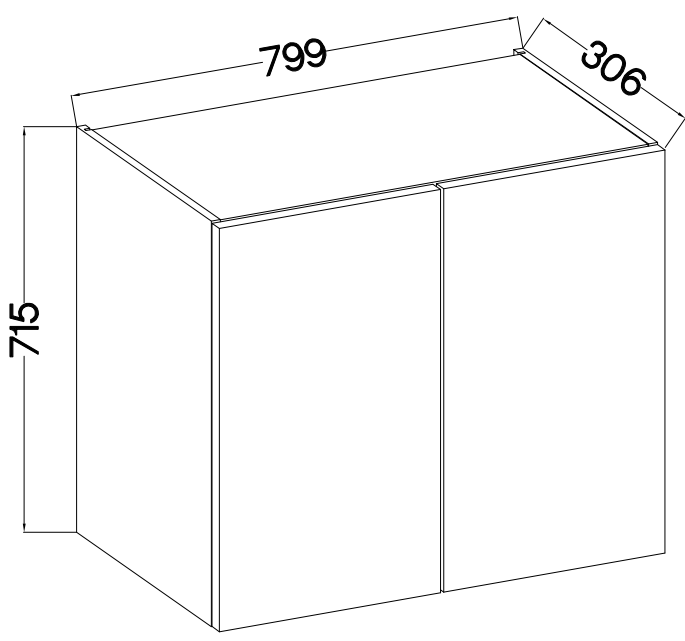
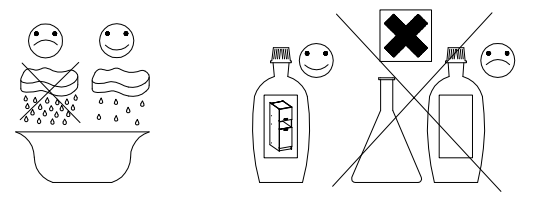
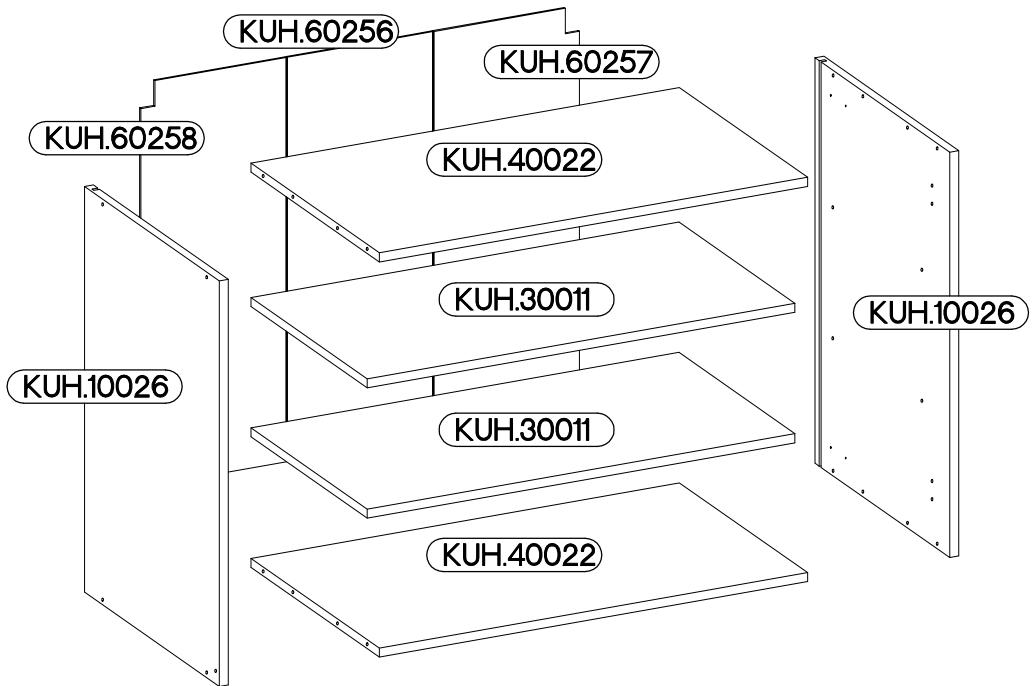
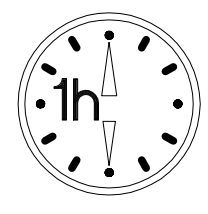


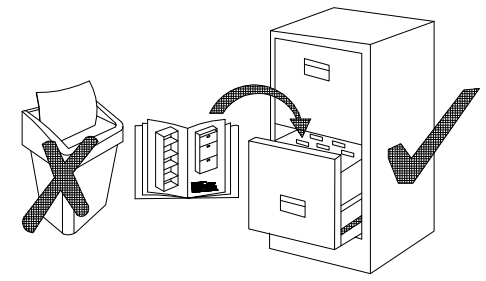
Ø10mm
80 G-72 2F



max. 5kg
KUH.30011
KUH.40022

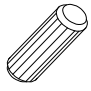
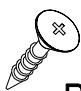
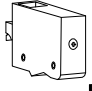


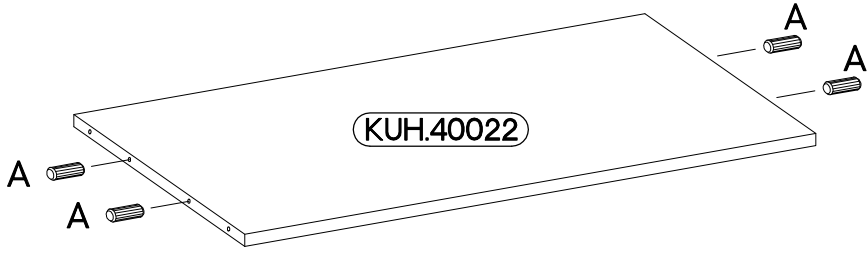
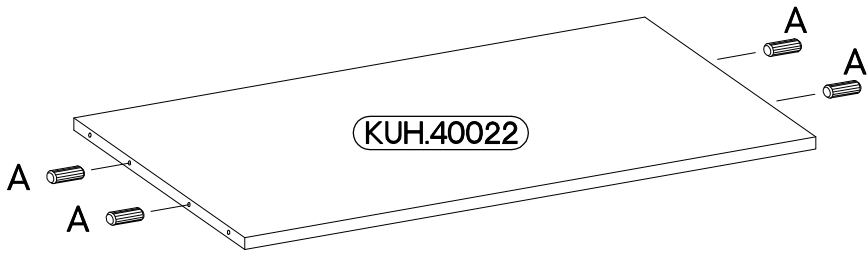
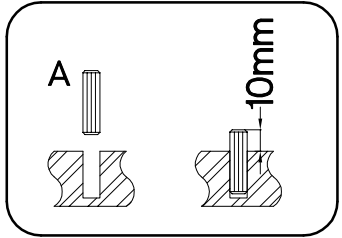
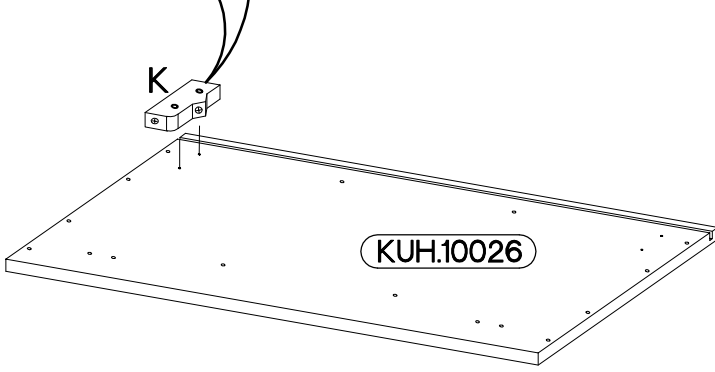
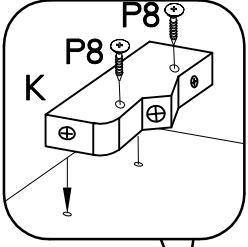
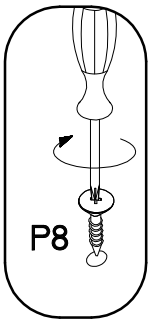
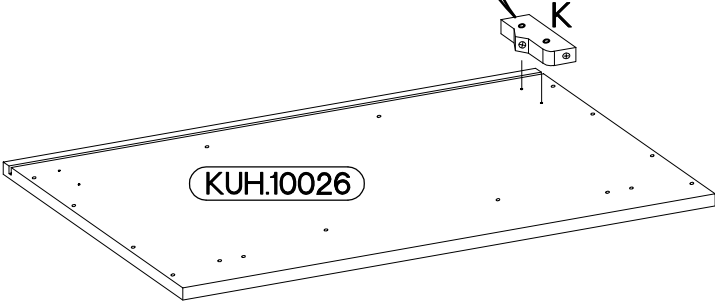
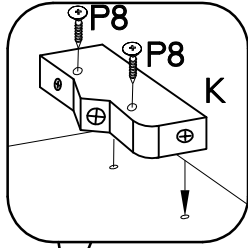
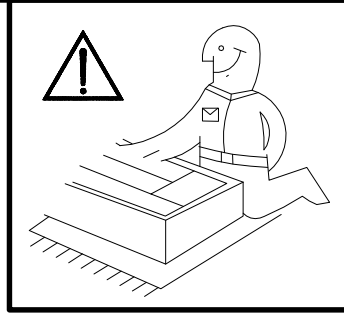
+8x30mm A 8	6,4 x 50mm B 8	 E1 8	+35/0mm HG 4			
+5/19mm J 8	 K 2	L1=680mm L1 2	 O 1	+3.5x13mm P5 8	+3.0x20mm P7 15-20	+4.0x30mm P8 4



ISM-KUH-01145

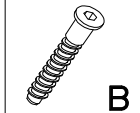
1

 +8x30mm A	 +4.0x30mm P8	 K
8	4	2



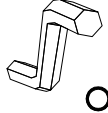
2

6,4 x 50mm



B

4



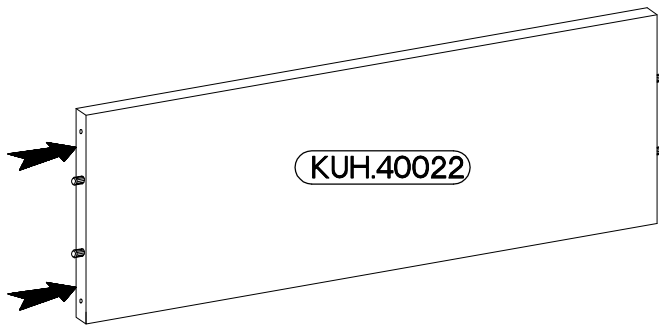
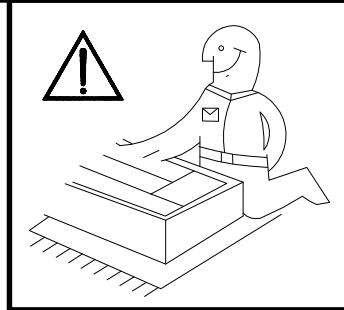
O

1

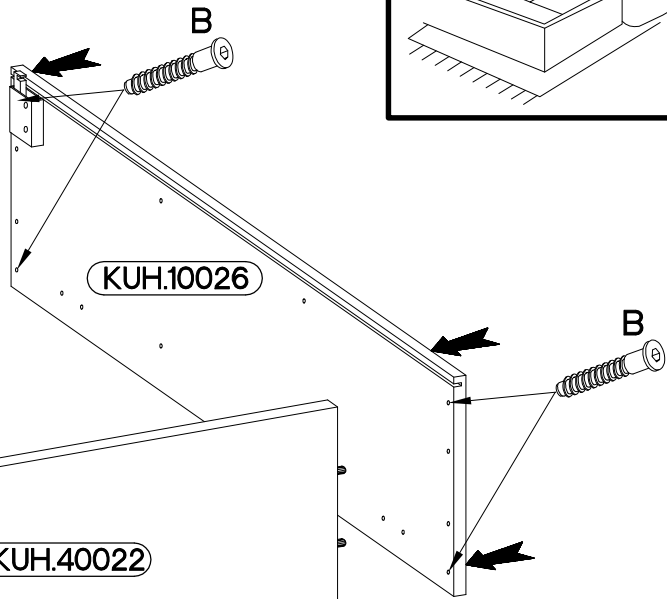


E1

4

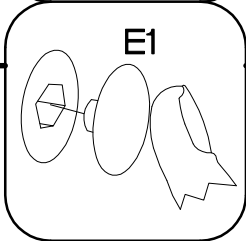
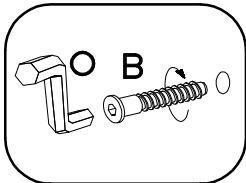


KUH.4002

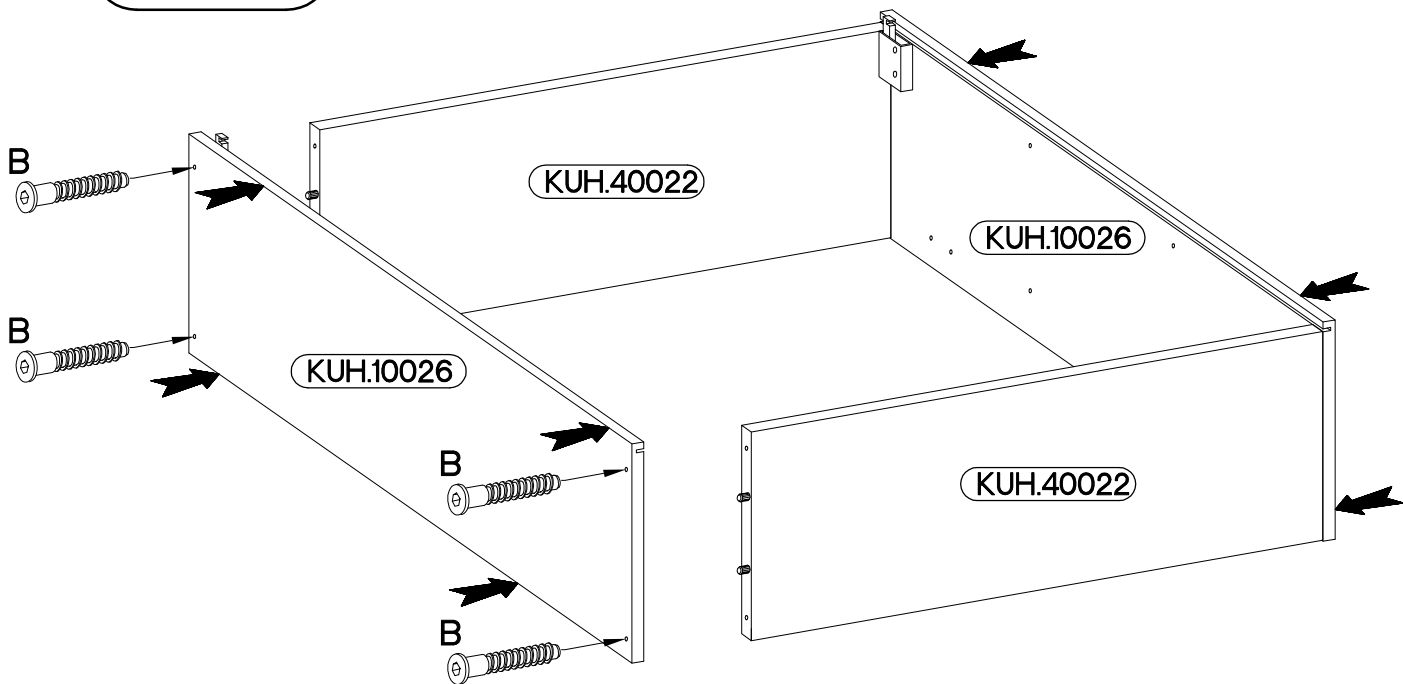


KUH.10026

KUH.4002



3



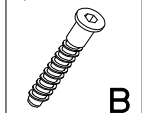
KUH.4002

KUH.10026

KUH.10026

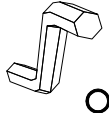
KUH.4002

6,4 x 50mm



B

4



O

1

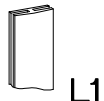


E1

4

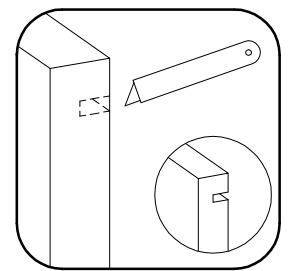
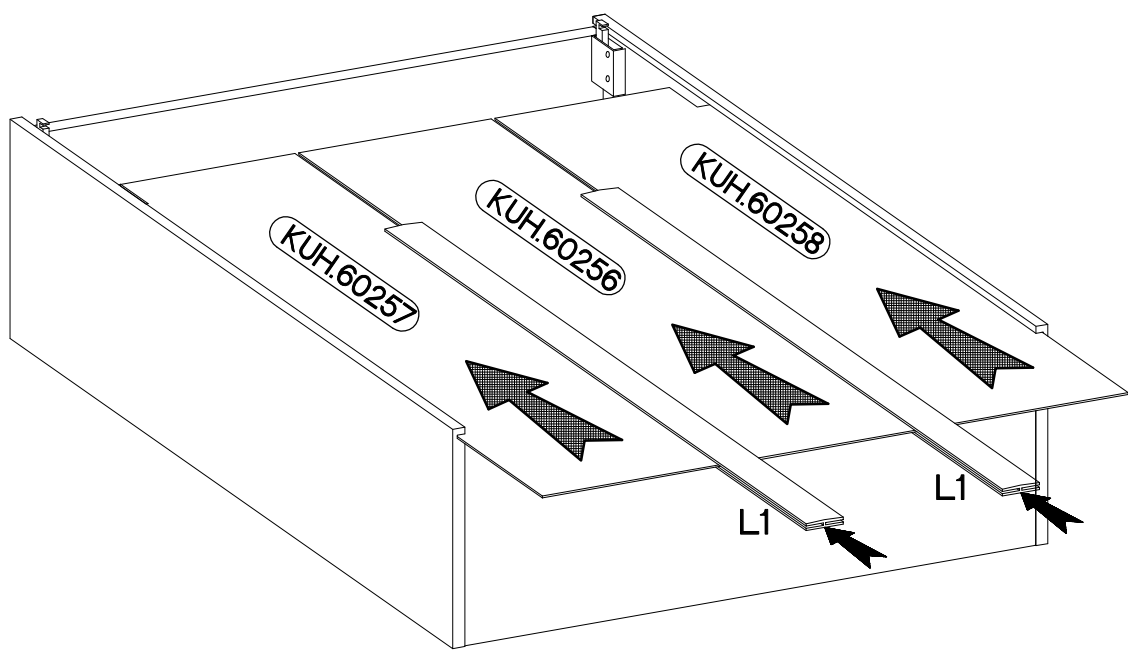
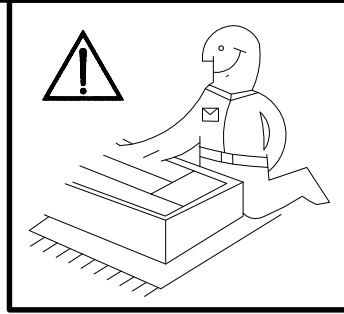
4

L1=680mm




L1

2



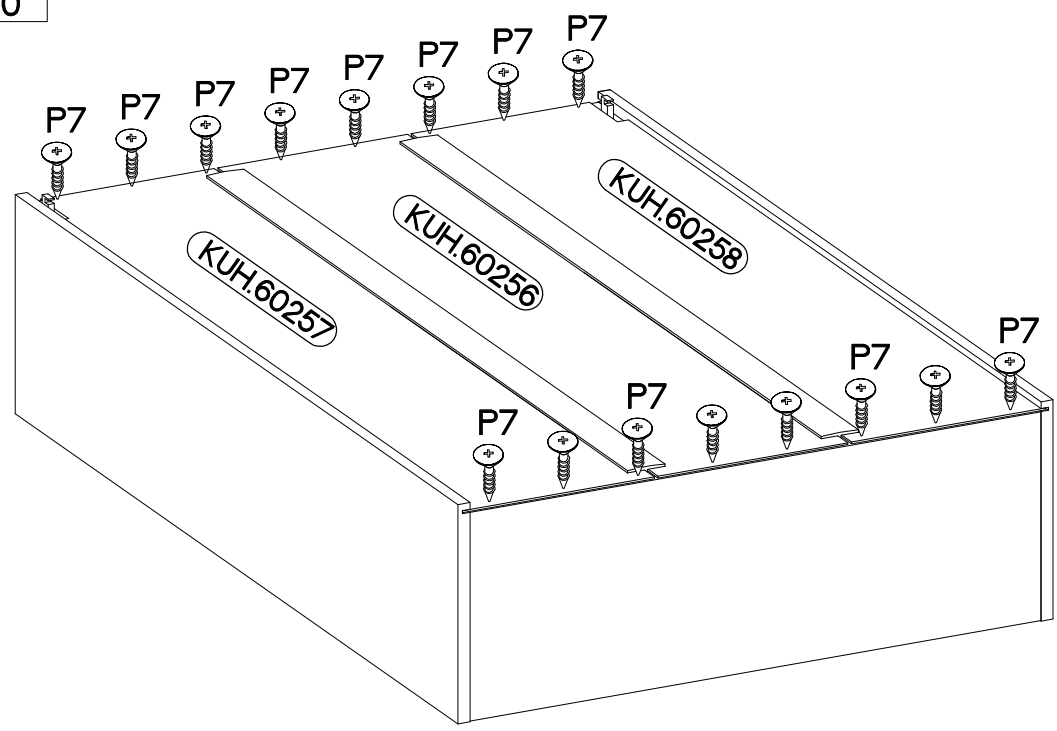
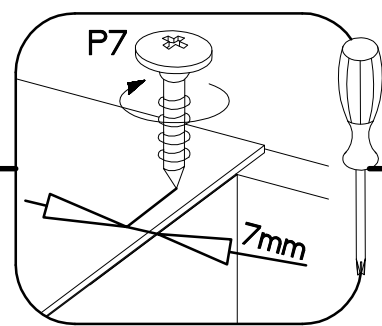
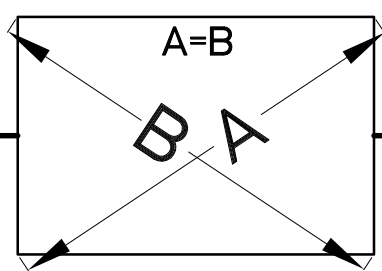
5

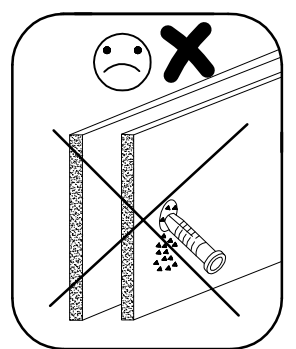
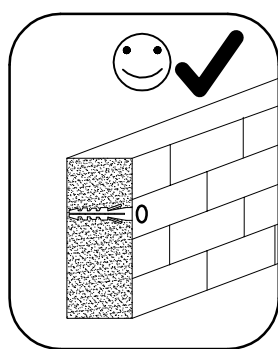
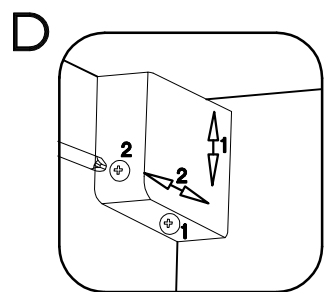
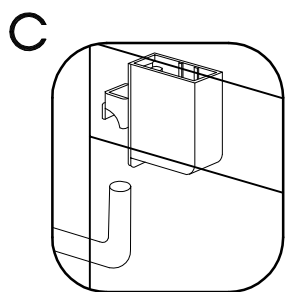
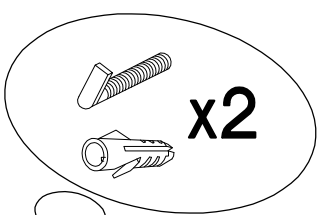
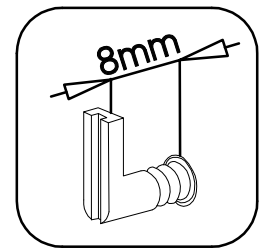
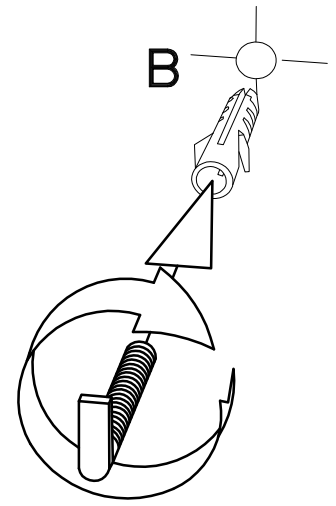
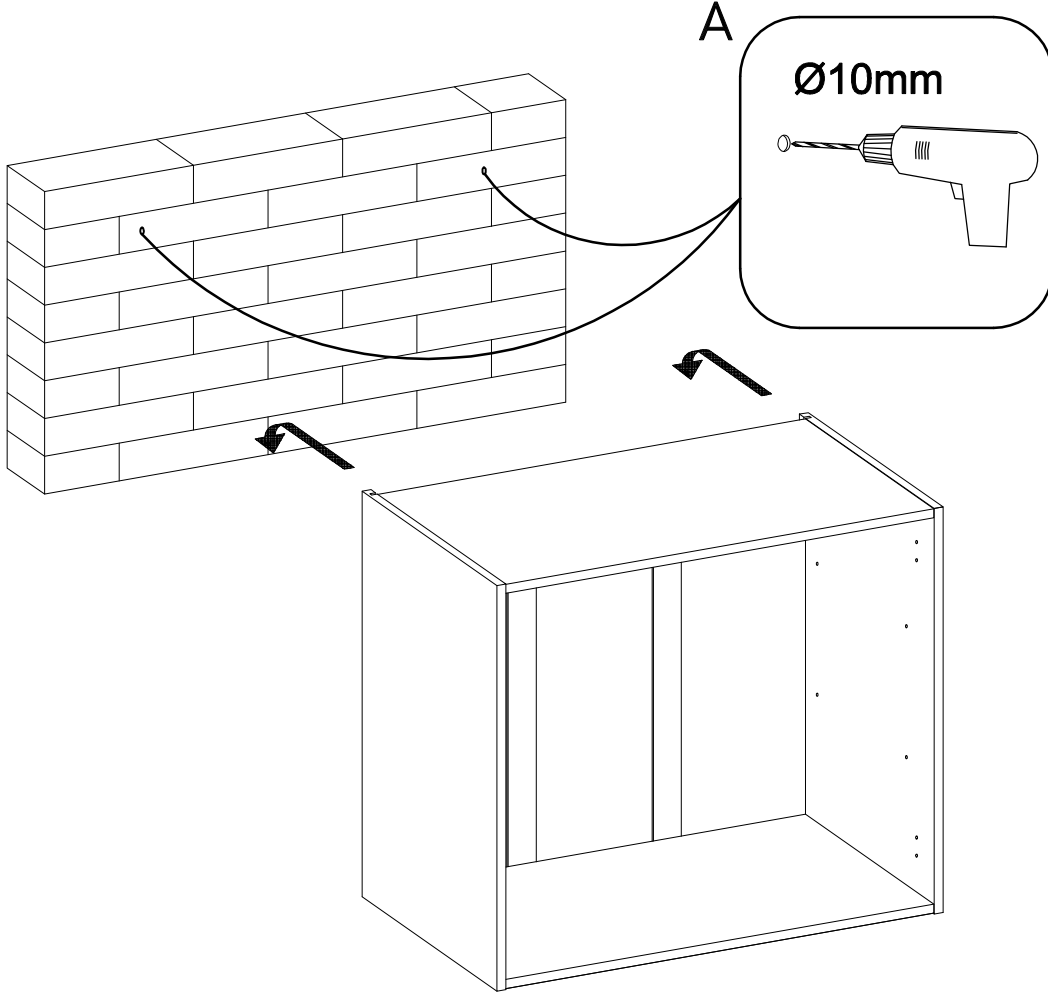
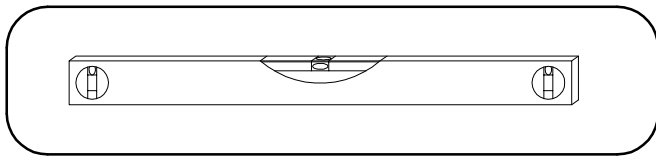
±3.0x20mm



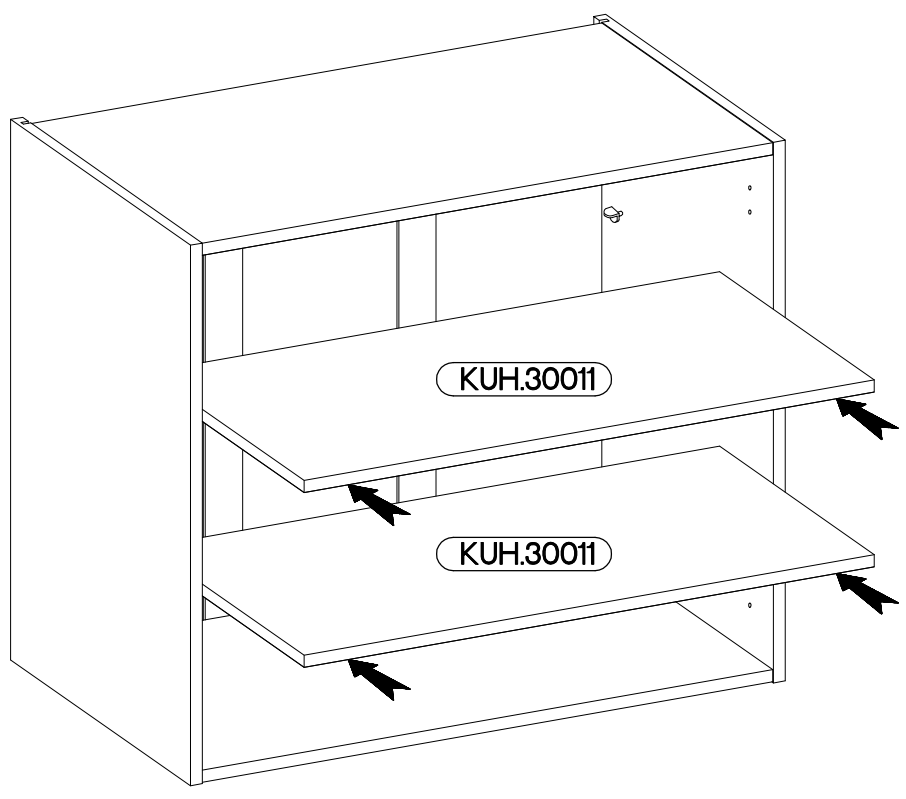
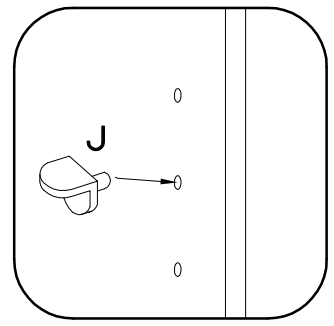
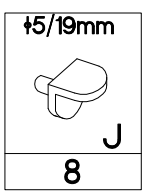
P7

15-20





7



8

FRONT

