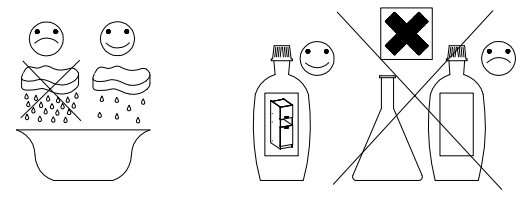
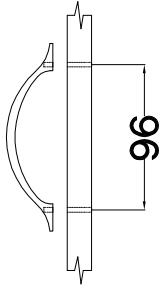
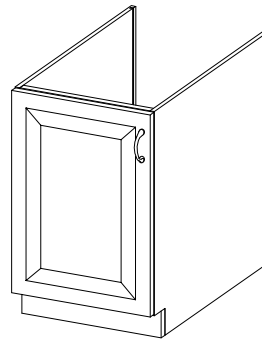
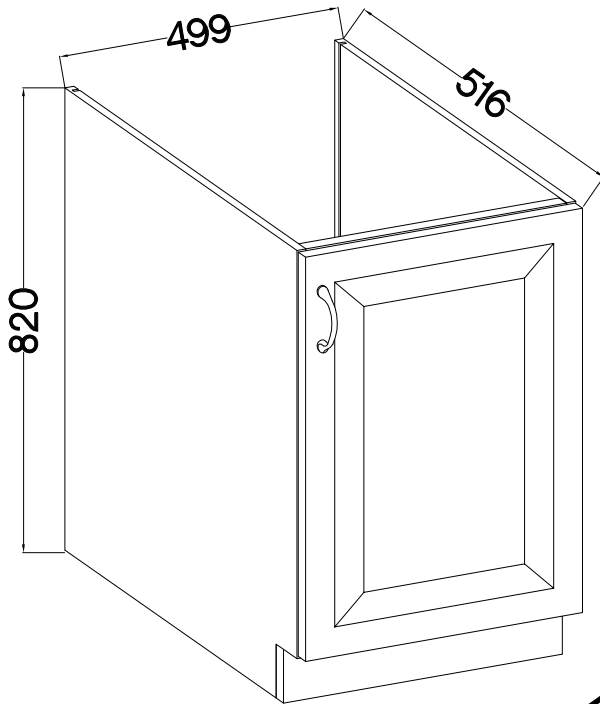


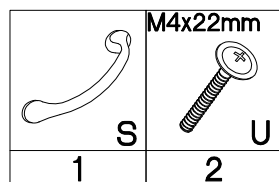
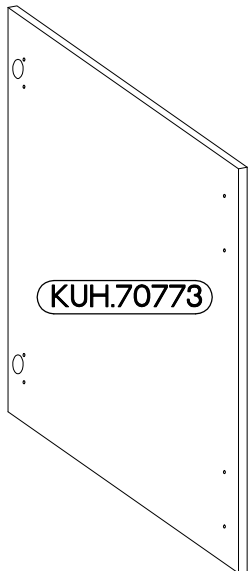
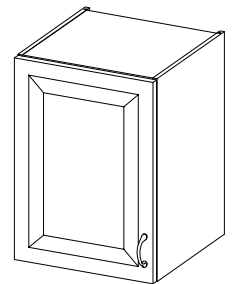
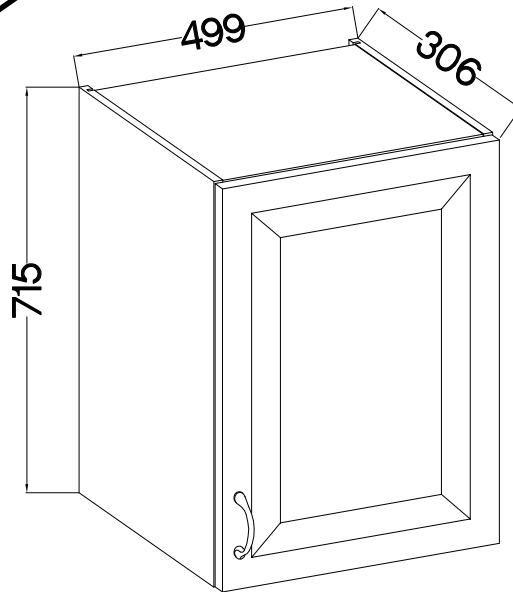
FRONT



50 ZL 1F BB



50 G-72 1F



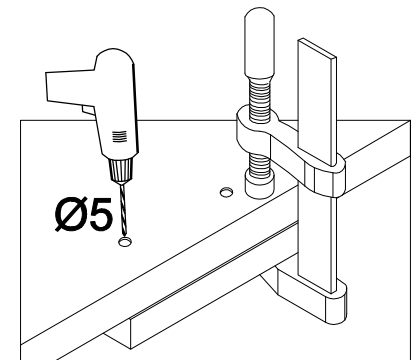
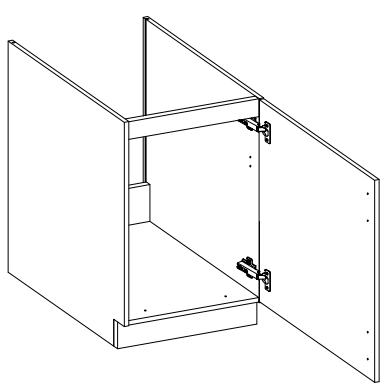
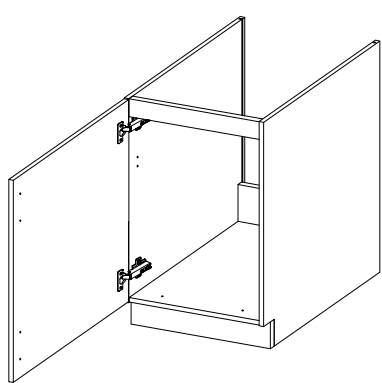
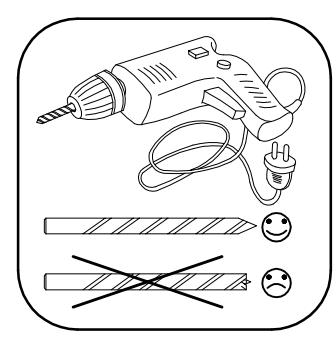
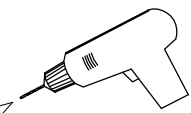
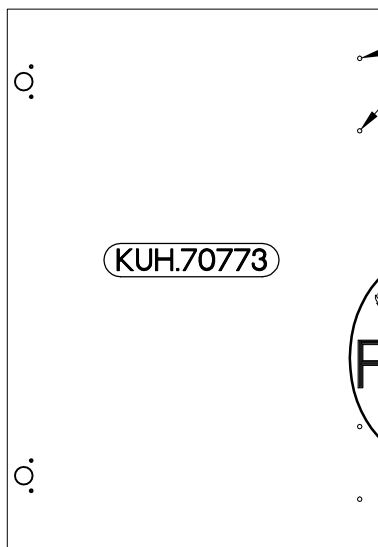
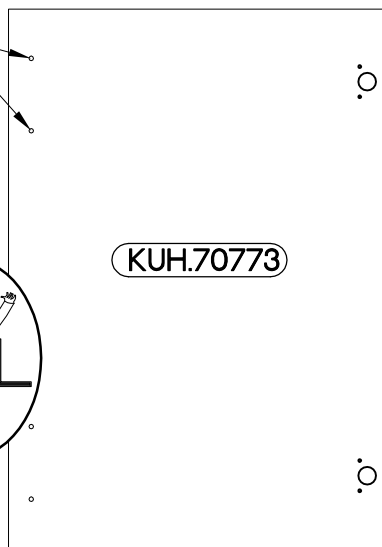
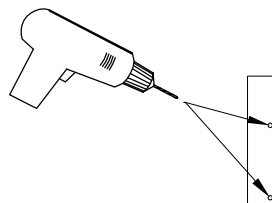
ISM-KUH-01191

1

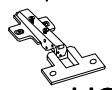

50 ZL 1F BB

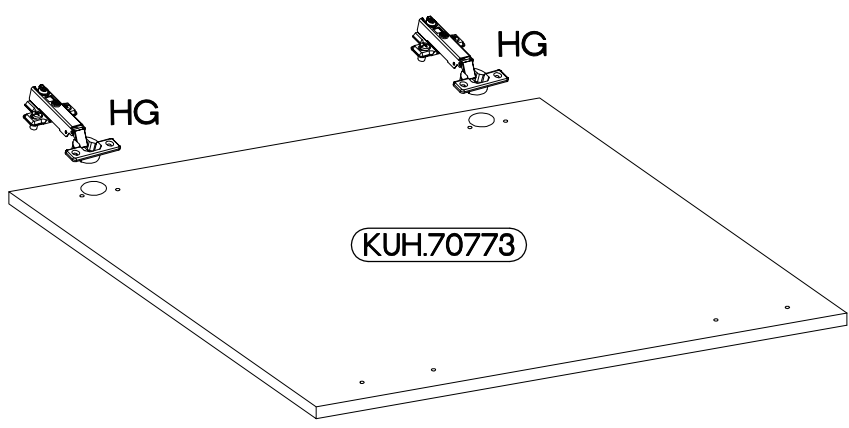
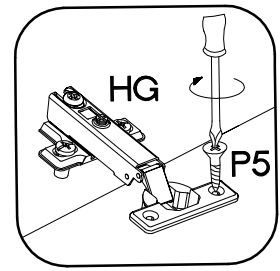
LEFT

RIGHT



2

| | |
|---|---|
| ±35/0mm | ±3.5x13mm |
|  |  |
| HG | P5 |
| 2 | 4 |



3

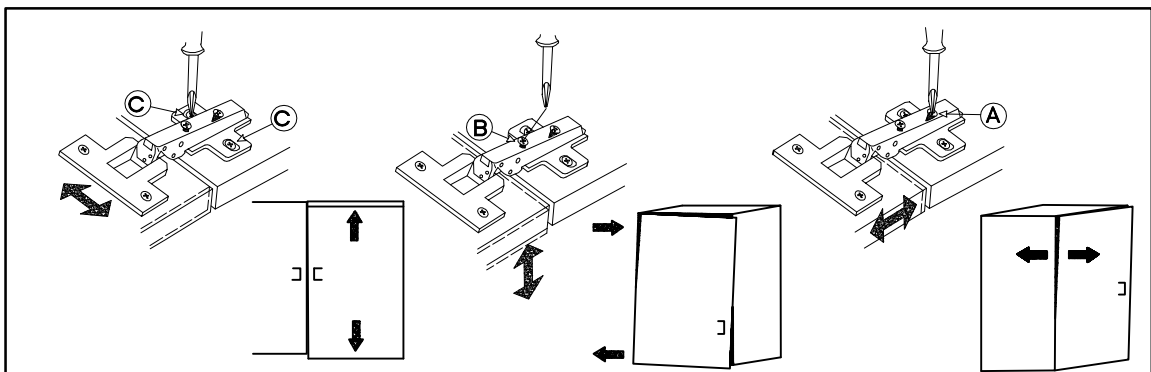
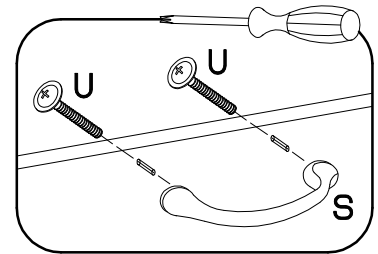
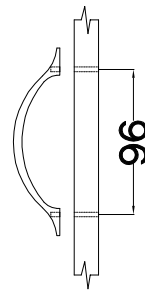
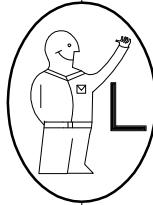
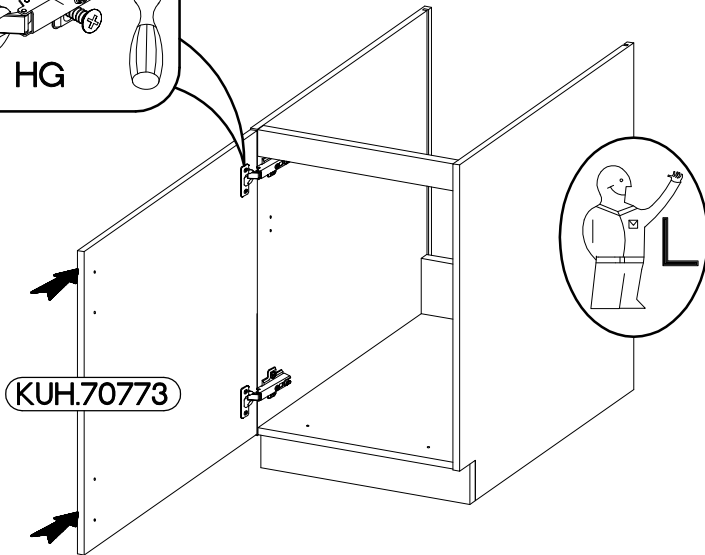
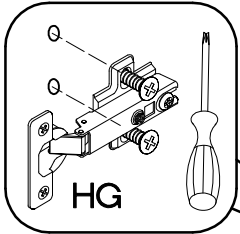
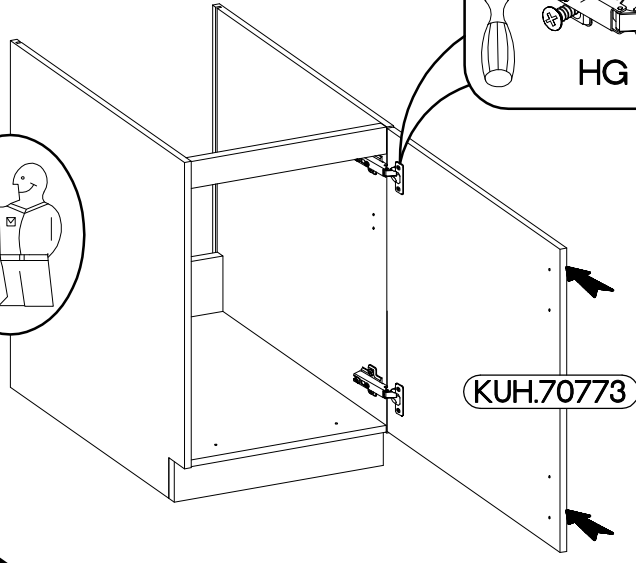
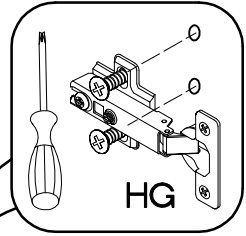
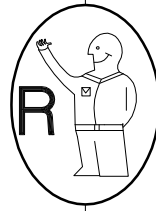
M4x22mm



2



1

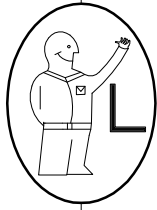
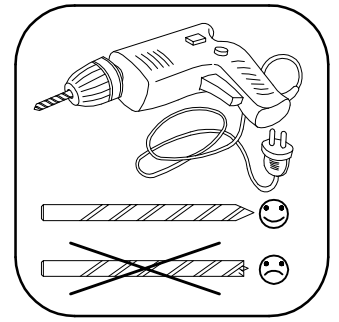


4

50 G-72 1F

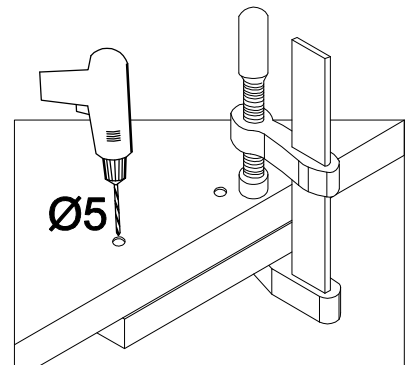
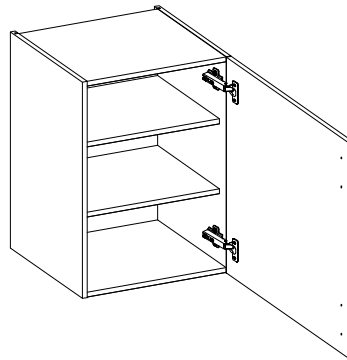
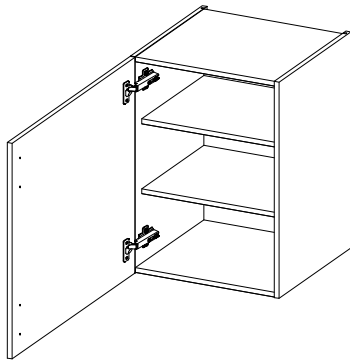
LEFT

RIGHT





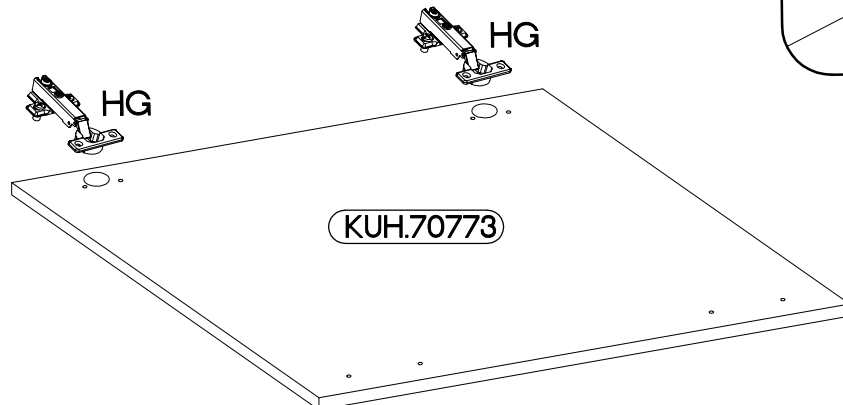
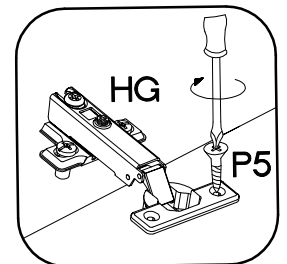
KUH.70773

KUH.70773



5

| | |
|--|--|
|  HG 2 |  P5 4 |
|--|--|



6

M4x22mm



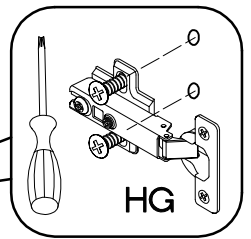
U

2

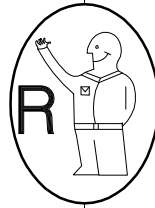


S

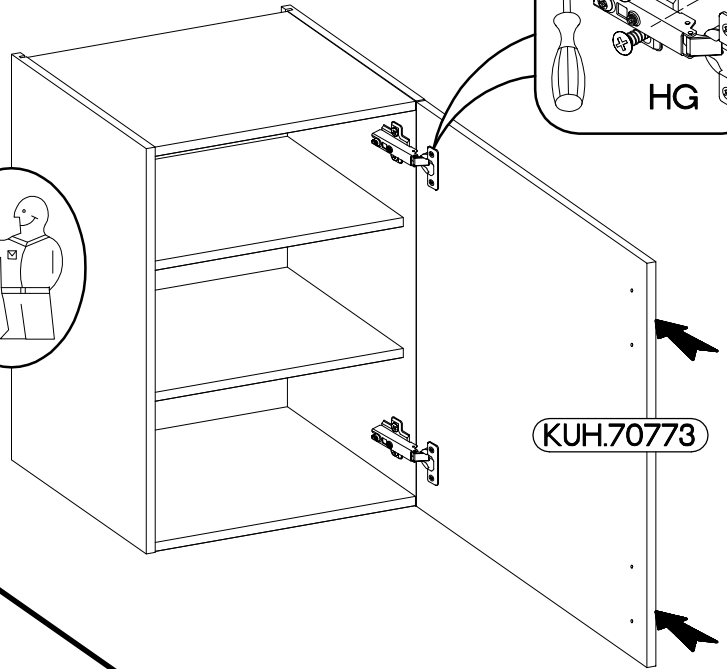
1



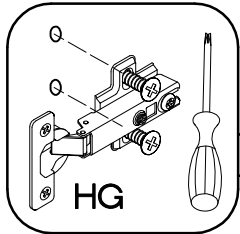
HG



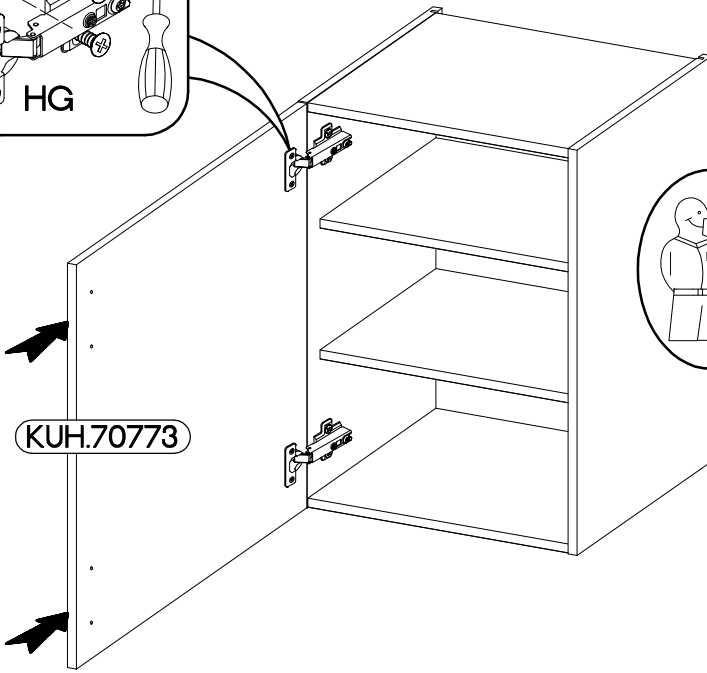
R



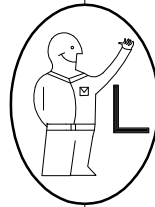
KUH.70773



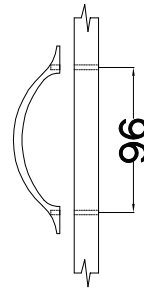
HG



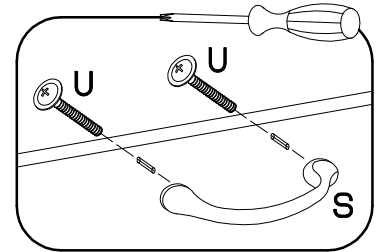
KUH.70773



L



96



U

S

