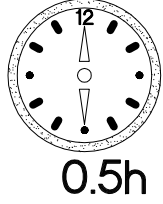
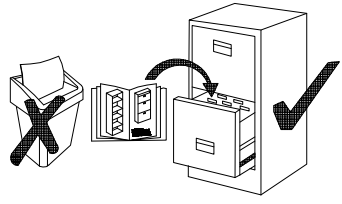
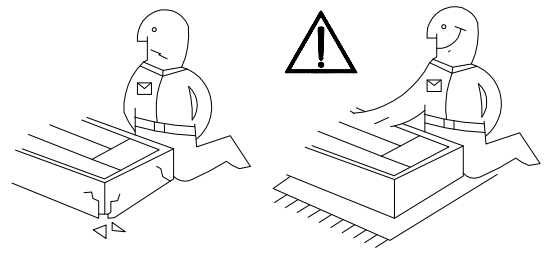


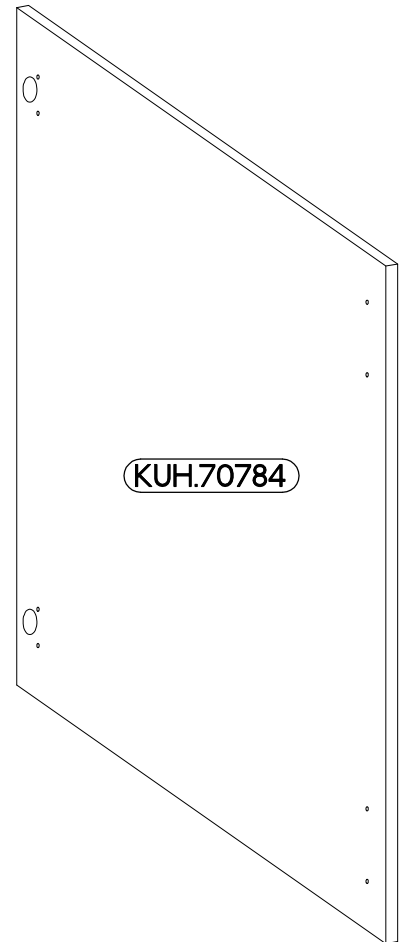
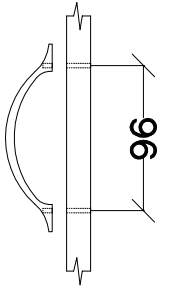
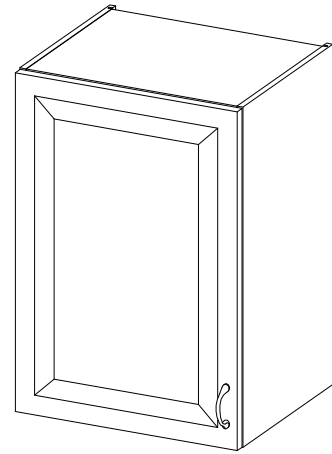
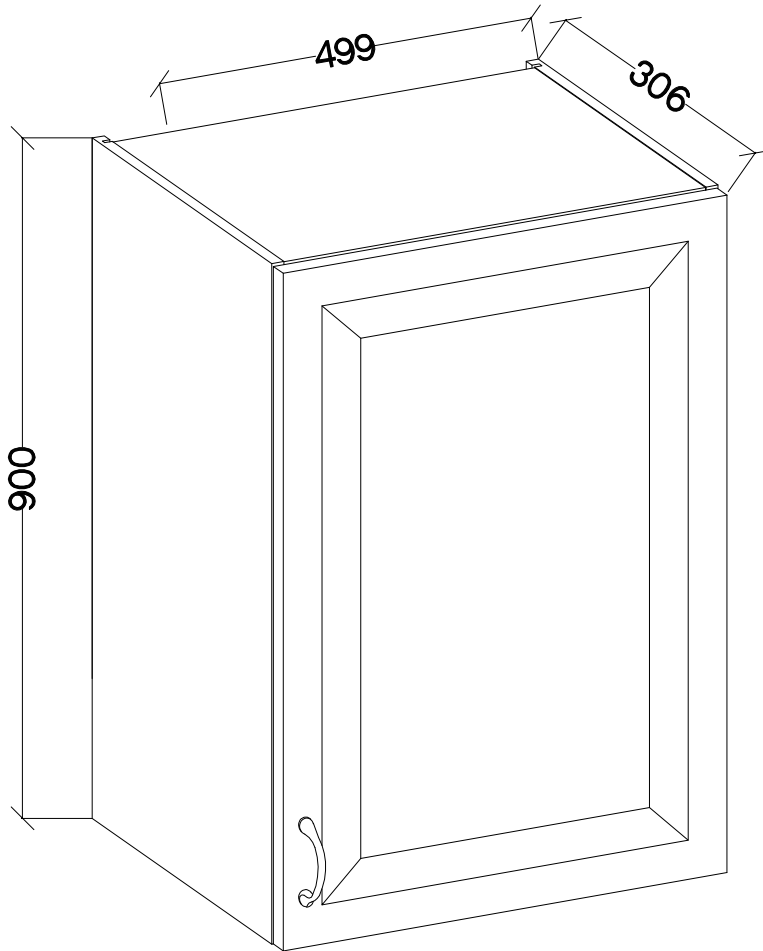
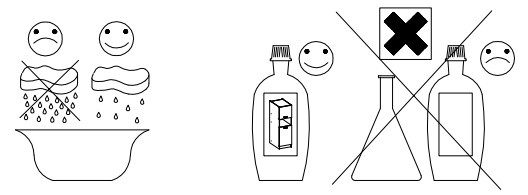
Ø5mm
Ø10mm





0.5h

60 G-90 1F

FRONT



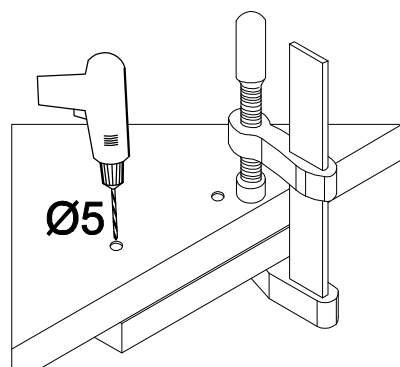
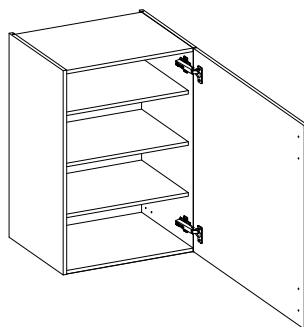
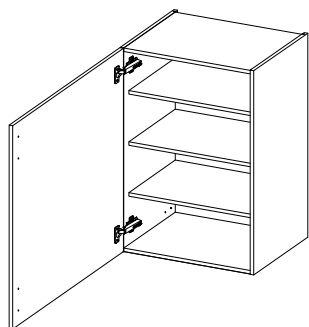
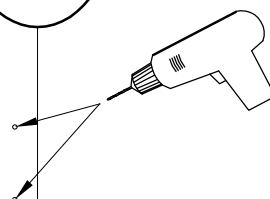
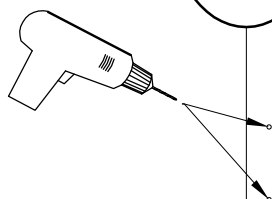
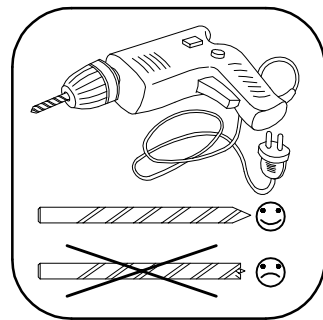
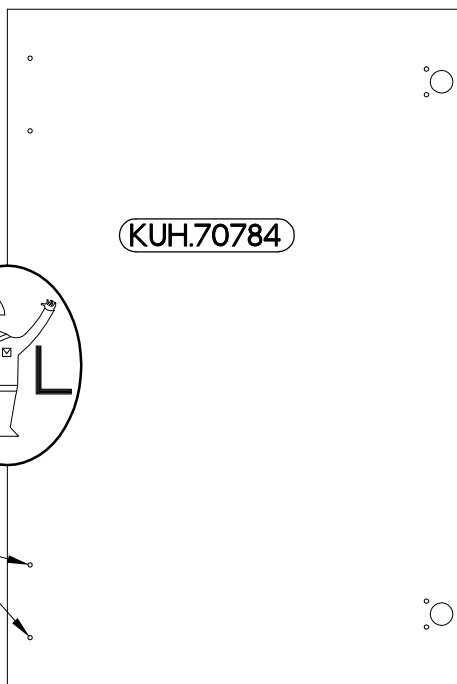
M4x22mm	
	
U	S
2	1

ISM-KUH-01195



1

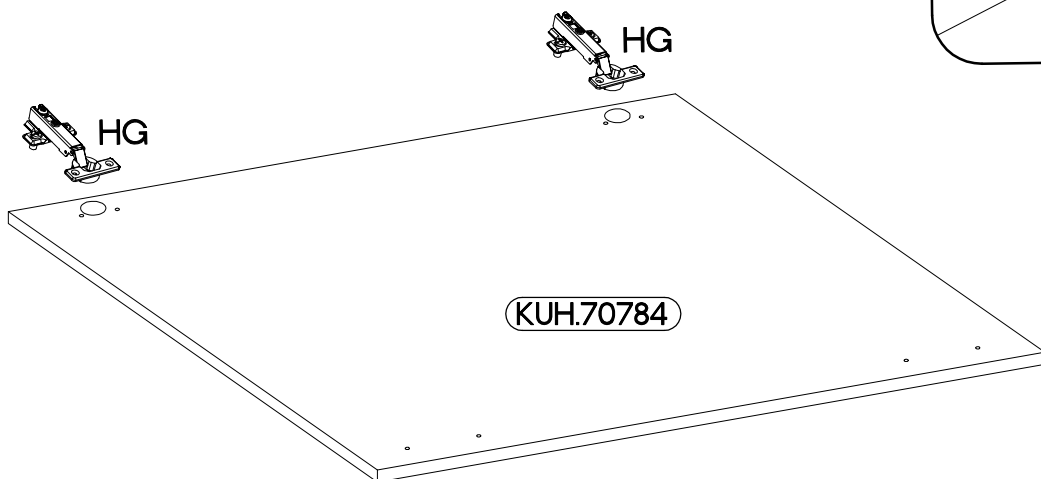
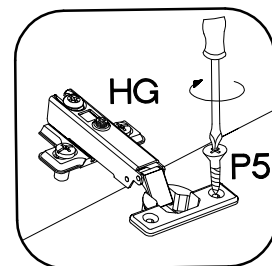
LEFT

RIGHT



2

 HG 2	 P5 4
--	--



3

M4x22mm



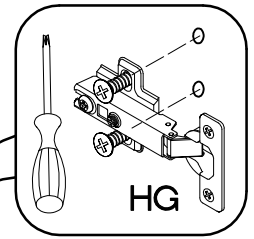
U

2

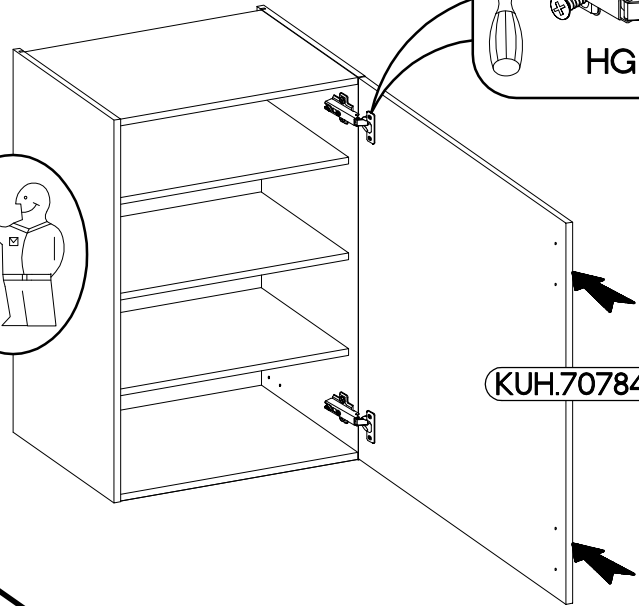
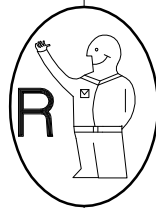


S

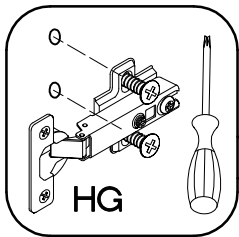
1



HG

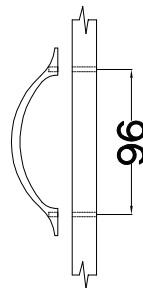
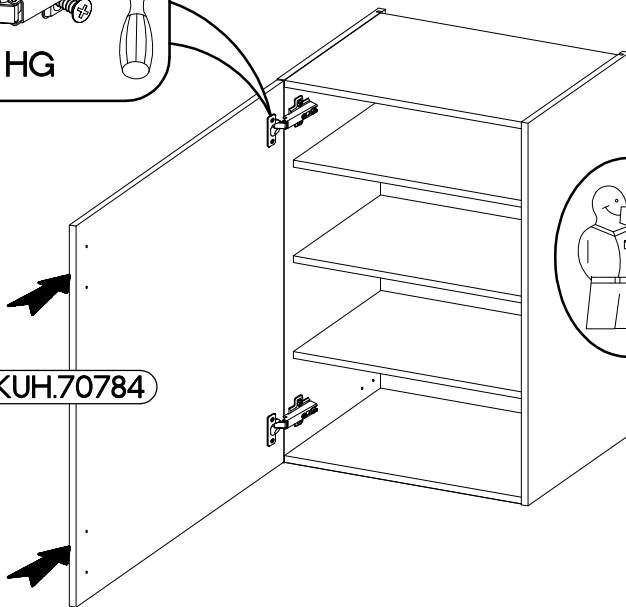
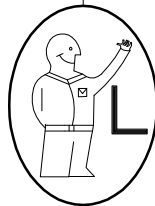


KUH.70784

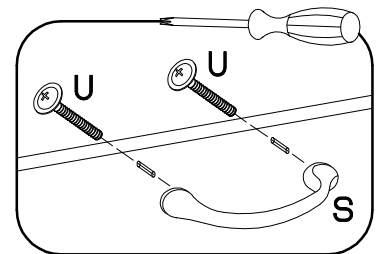


HG

KUH.70784



96



U

S

