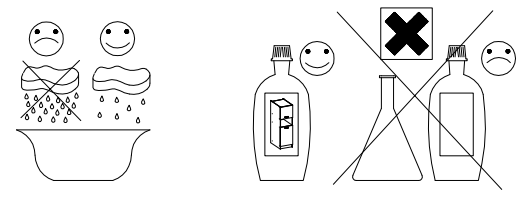
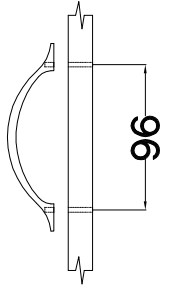
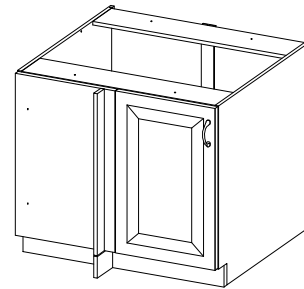
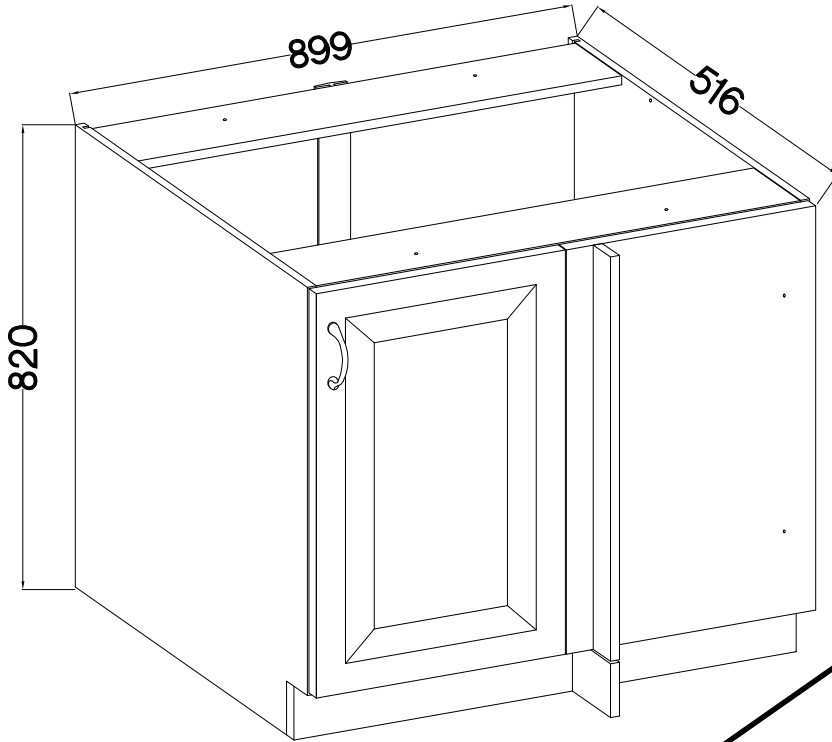


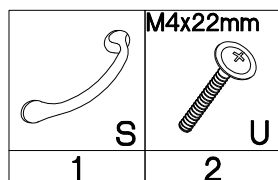
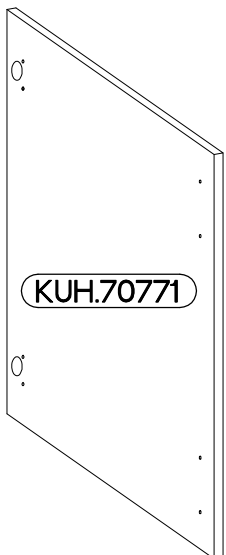
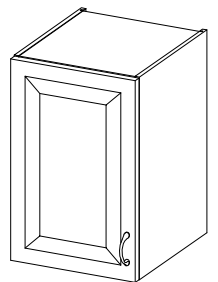
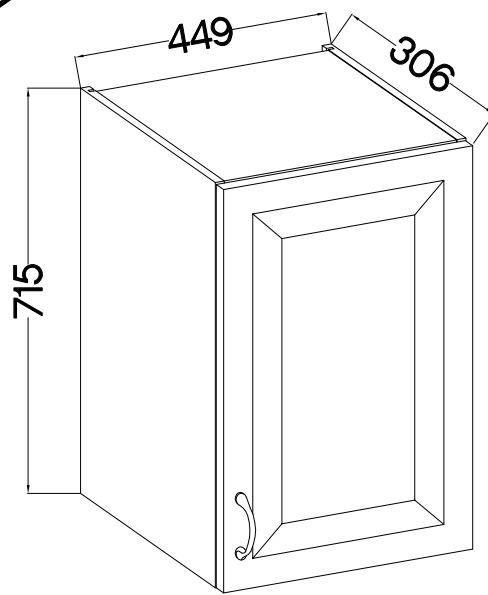
FRONT



105 ND BB



45 G-72 1F



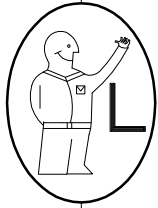
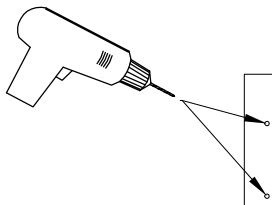
ISM-KUH-01196

1

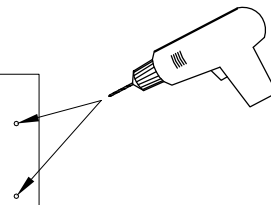
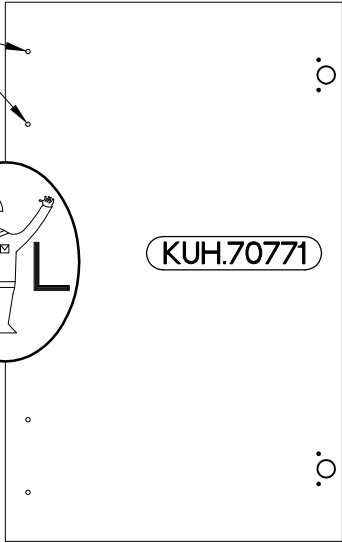
105 ND BB

LEFT

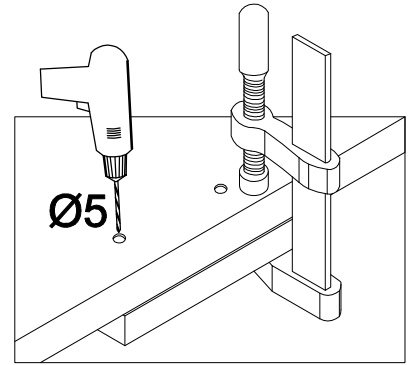
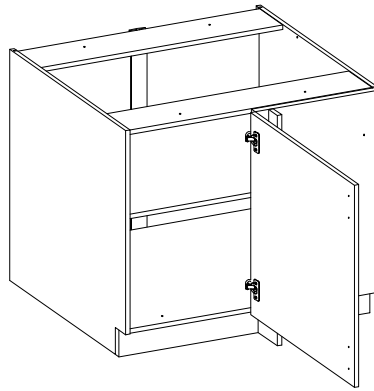
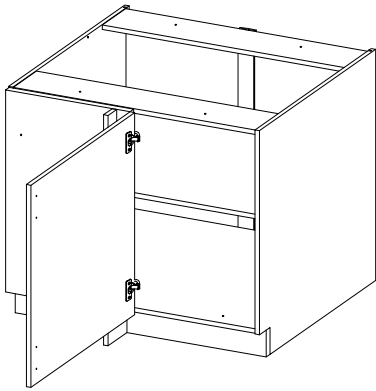
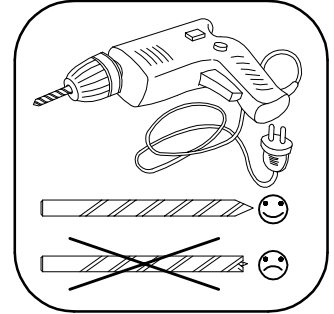
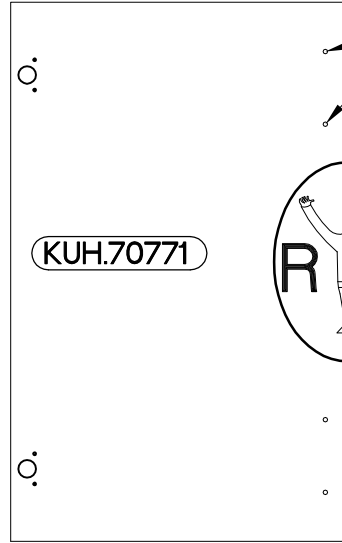
RIGHT




KUH.70771

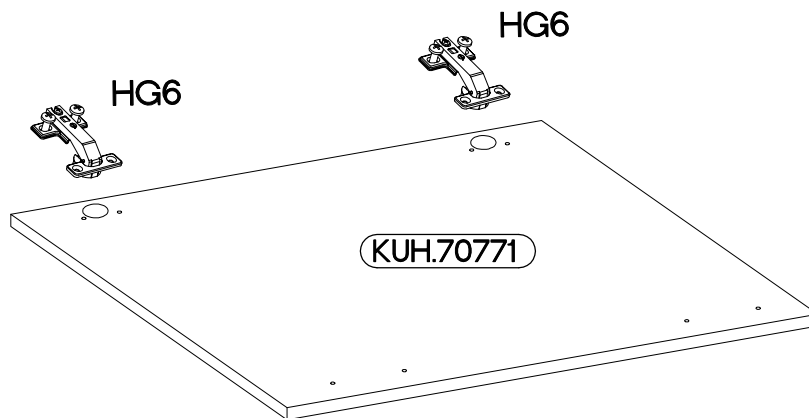
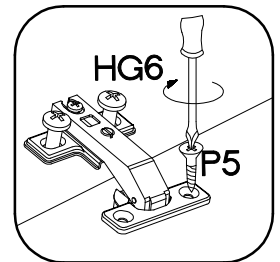


KUH.70771



2

	$\pm 35/90^\circ$ $\pm 3.5 \times 13 \text{mm}$
HG6	P5
2	4



3

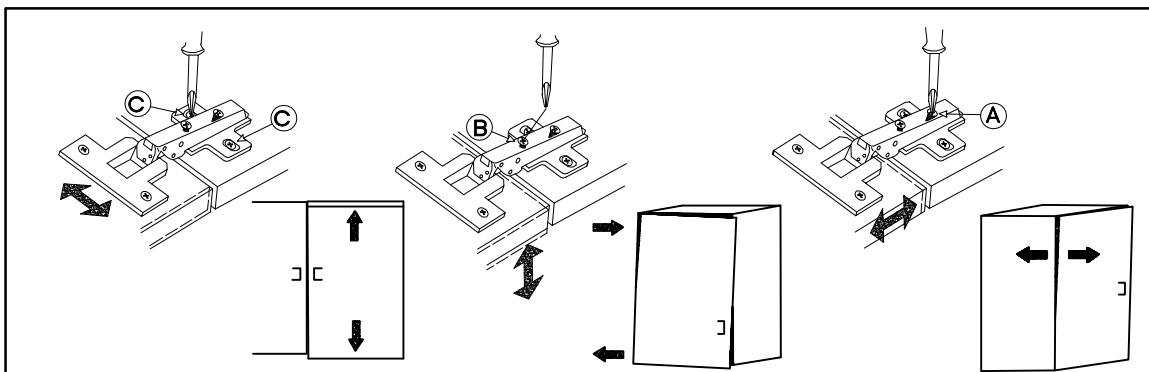
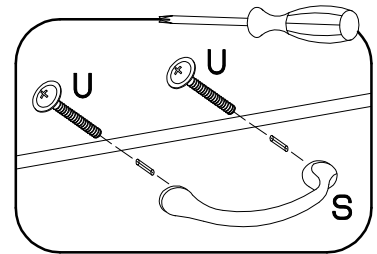
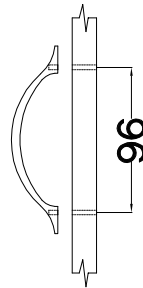
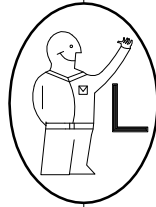
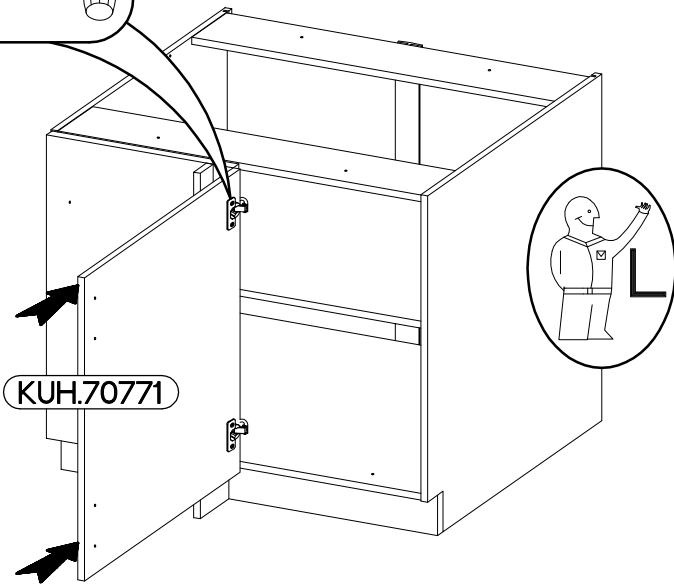
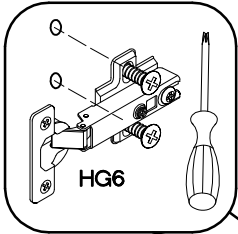
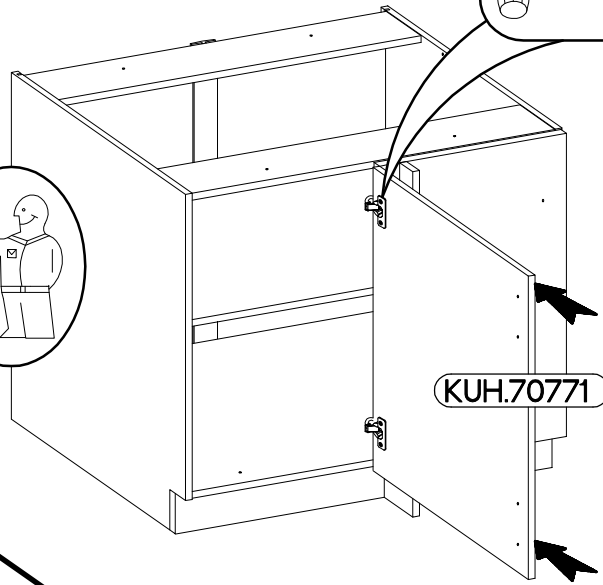
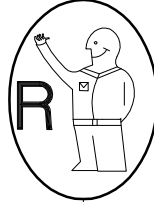
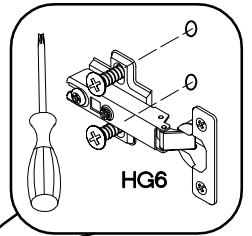
M4x22mm



2



1

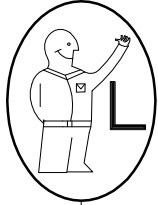
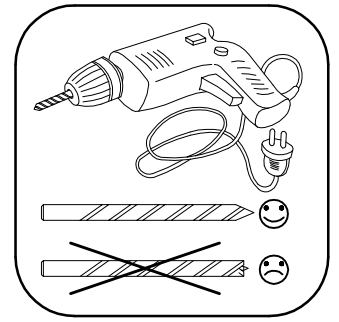


# 4

# 45 G-72 1F

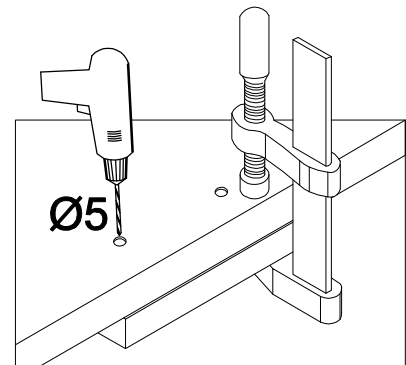
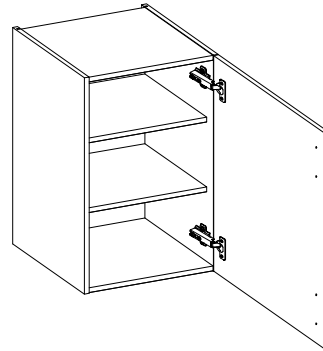
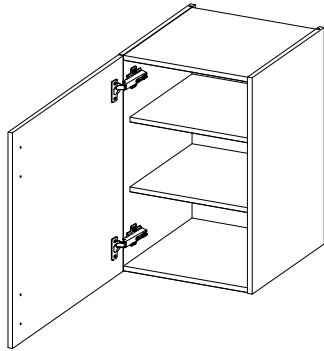
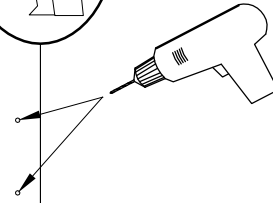
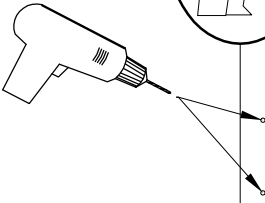
## LEFT

## RIGHT





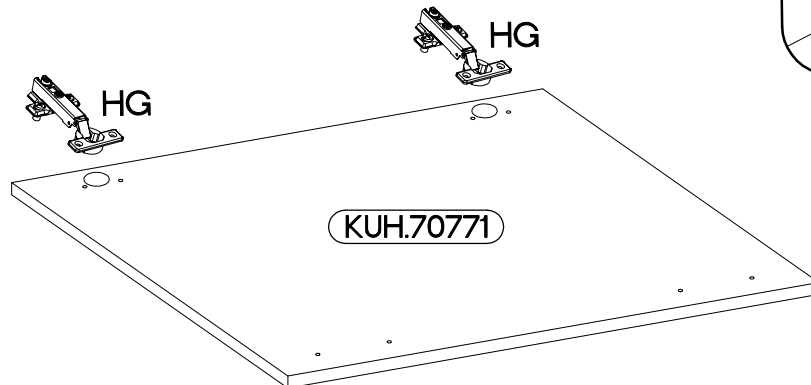
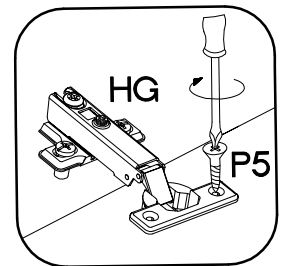
KUH.70771

KUH.70771



# 5

 HG 2	 P5 4
--	--



KUH.70771

6

M4x22mm

