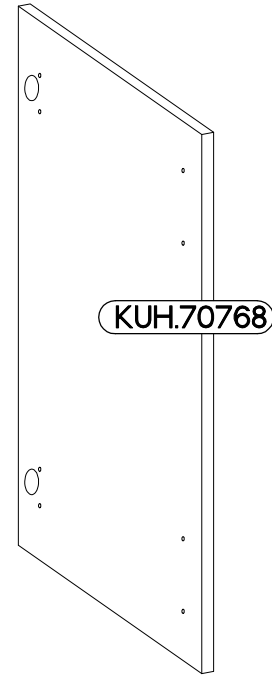
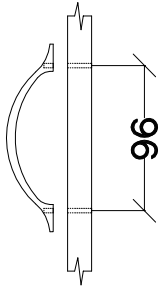
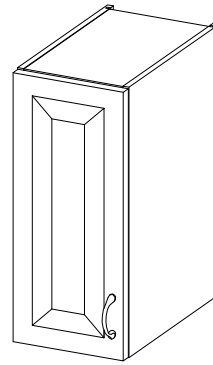
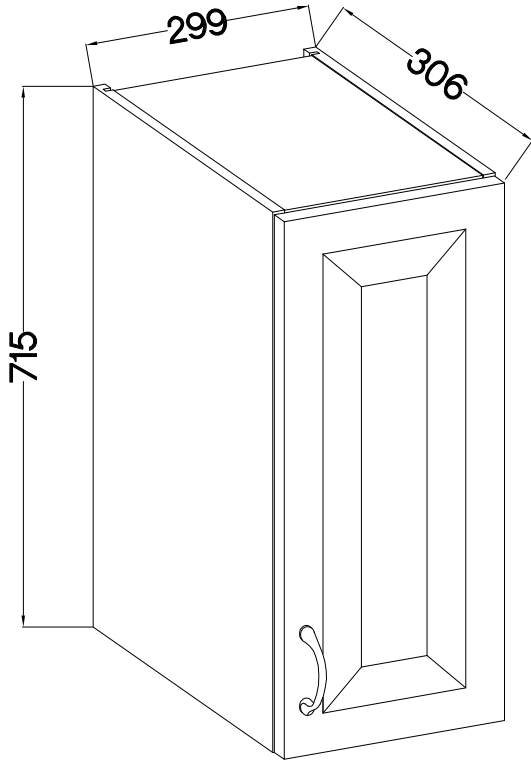




30 G-72 1F
FRONT



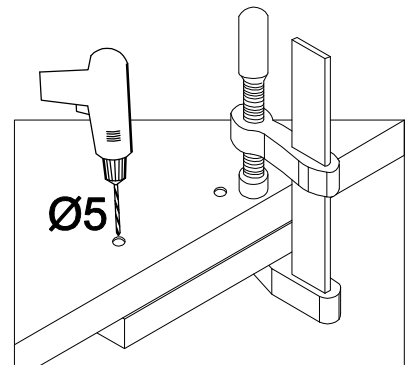
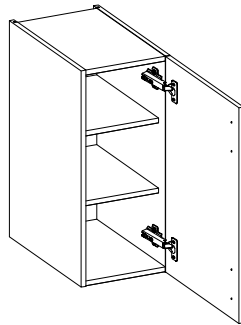
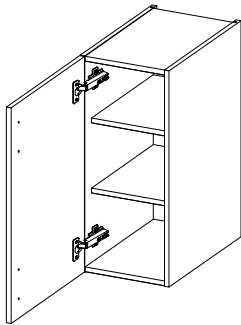
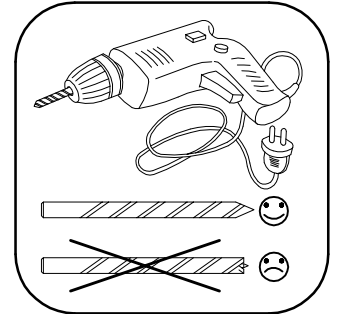
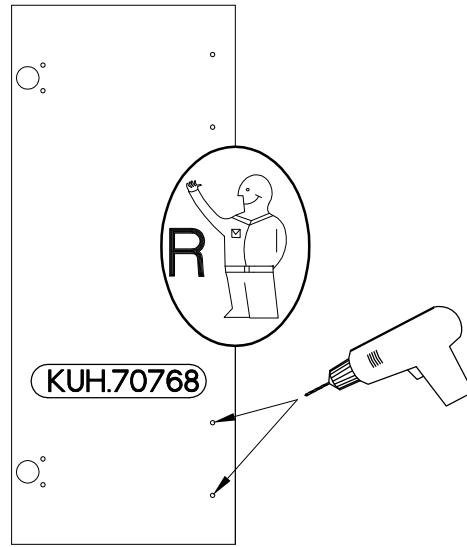
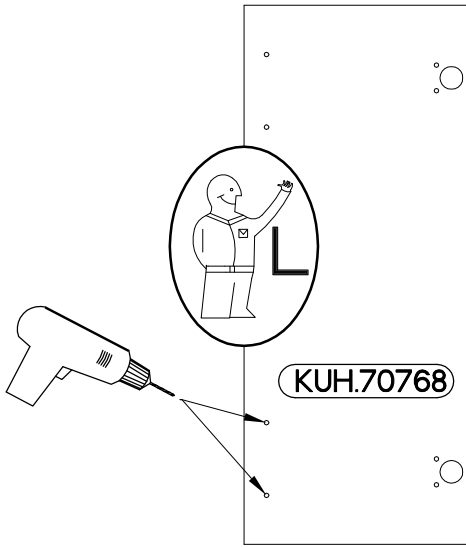
M4x22mm	
	
U	S
2	1

ISM-KUH-01197



1

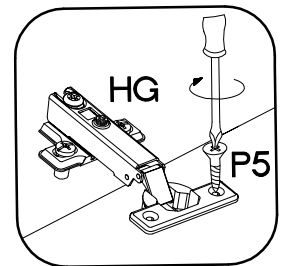
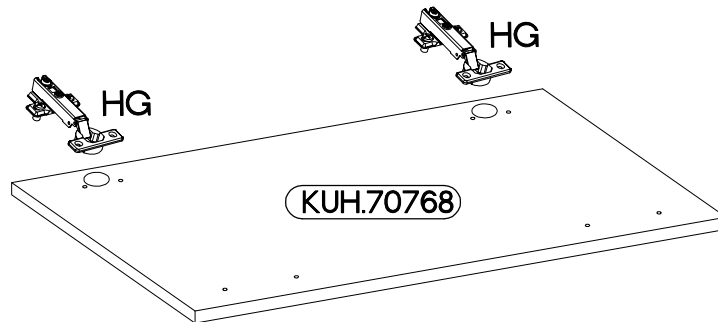
LEFT

RIGHT



2

$\pm 35/0\text{mm}$	$\pm 3.5 \times 13\text{mm}$
	
HG	P5
2	4



M4x22mm



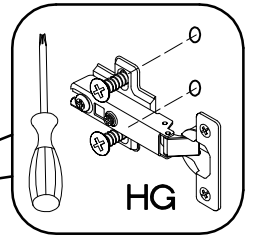
U

2

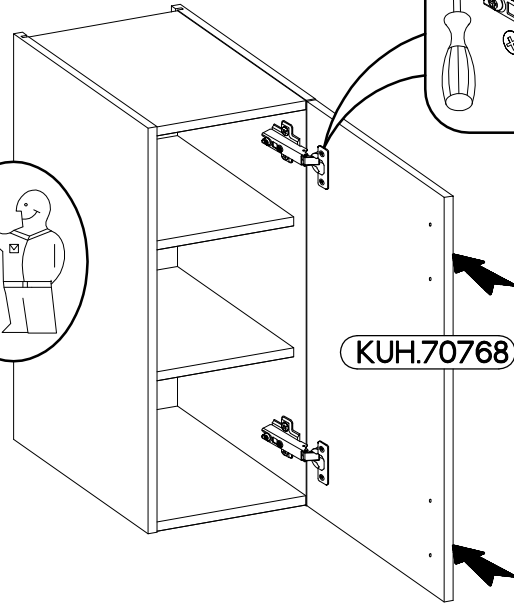
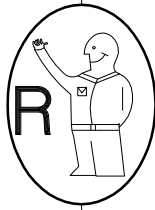


S

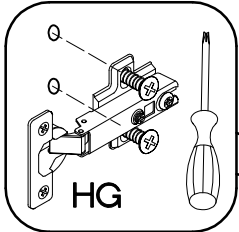
1



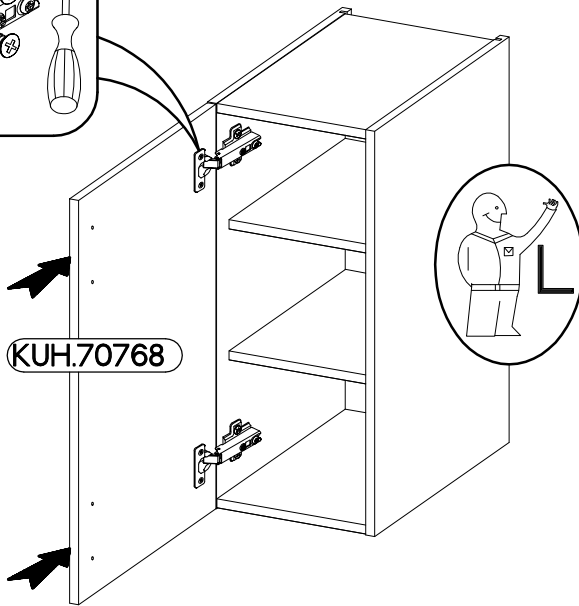
HG



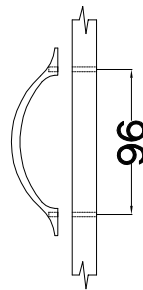
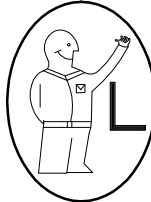
KUH.70768



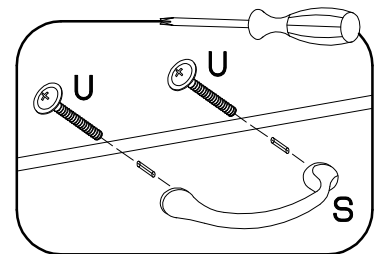
HG



KUH.70768



96



U

S

