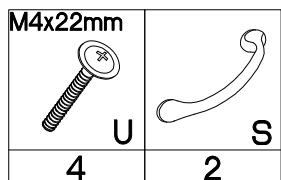
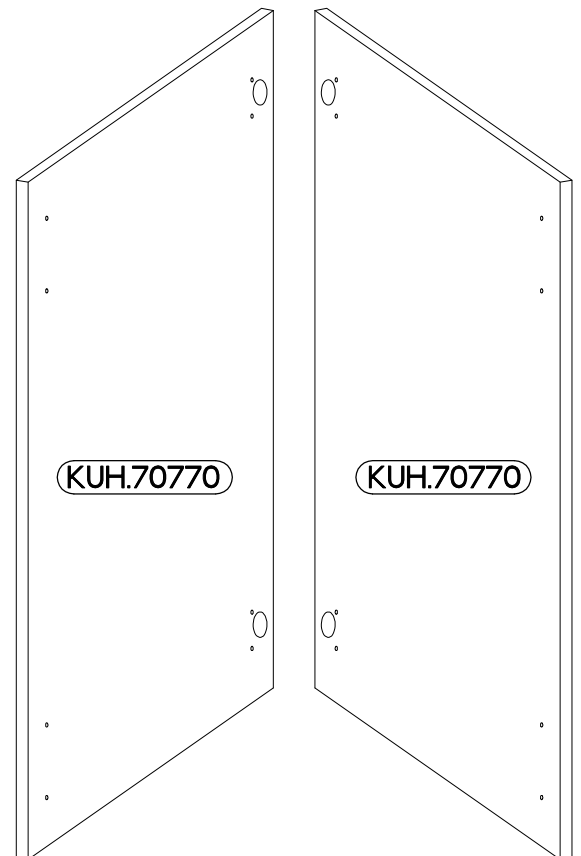
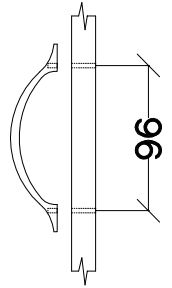
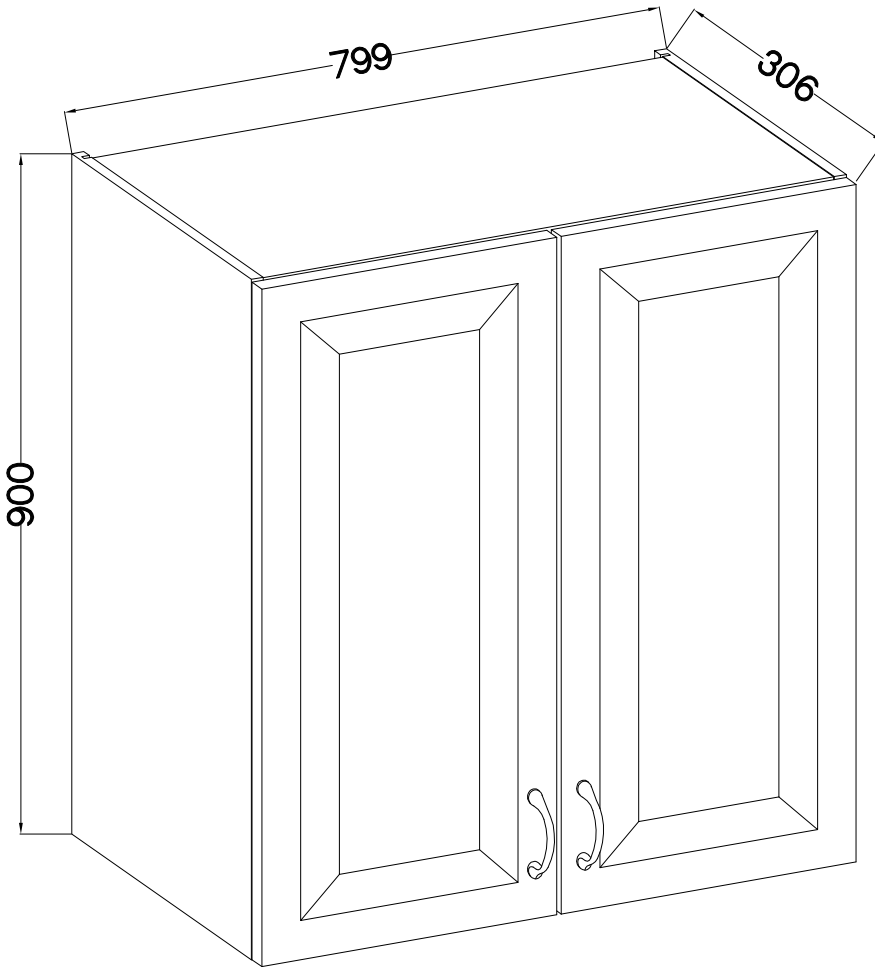
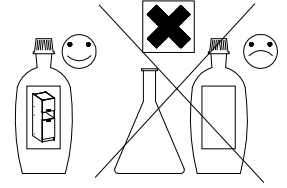
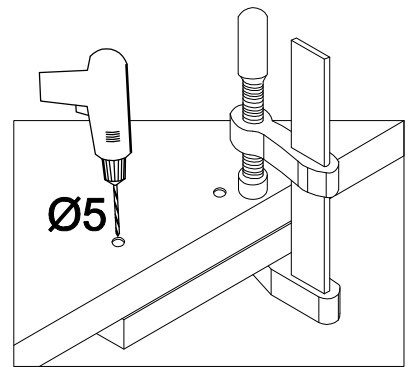
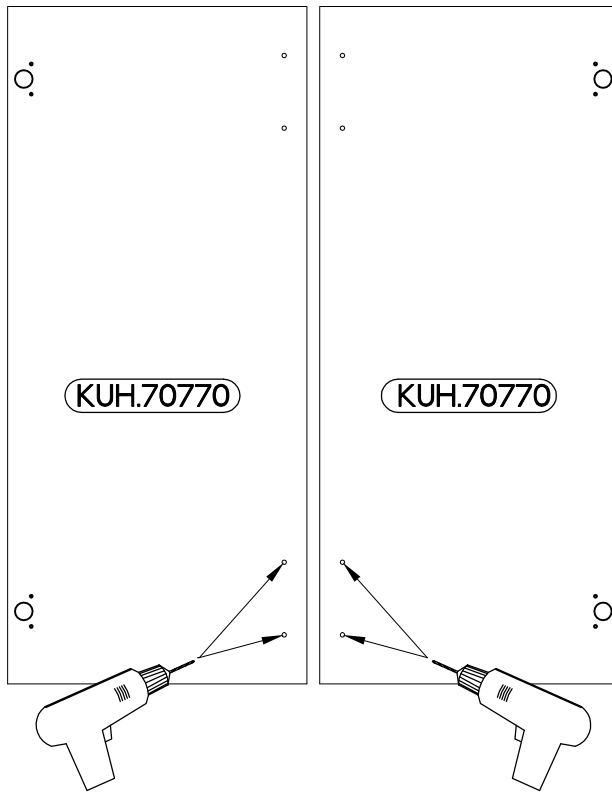
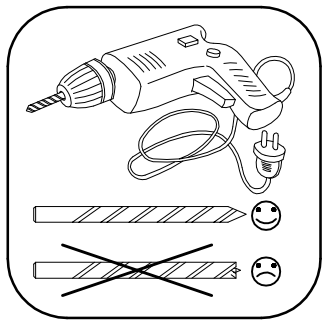


80 G-90 2F
FRONT





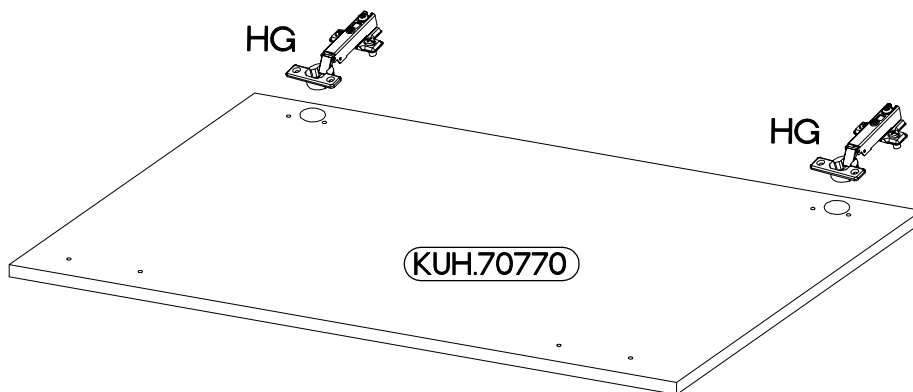
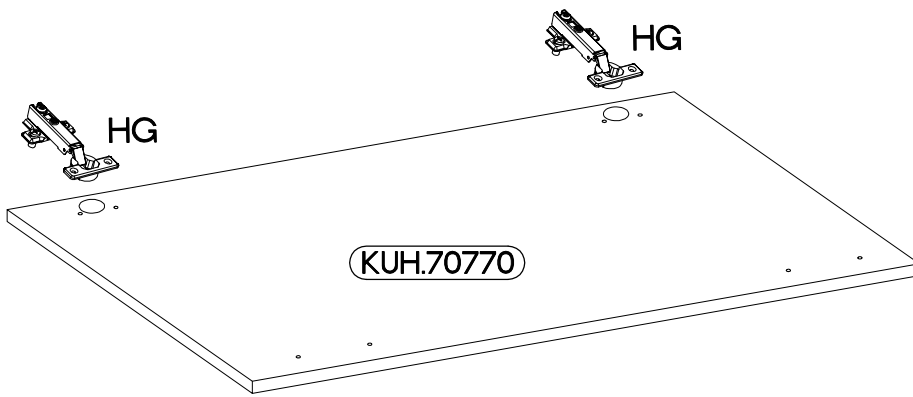
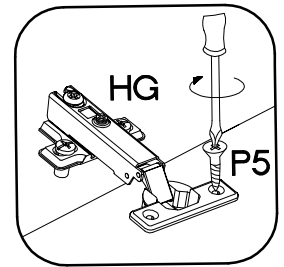
ISM-KUH-01204

1



2

$\pm 35/0\text{mm}$	$\pm 3.5 \times 13\text{mm}$
	
HG	P5
4	8



3

M4x22mm



U

4



S

2

