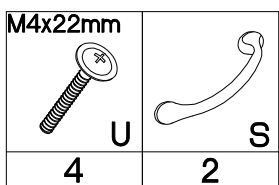
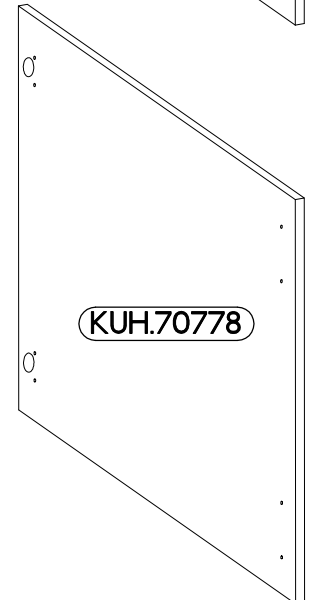
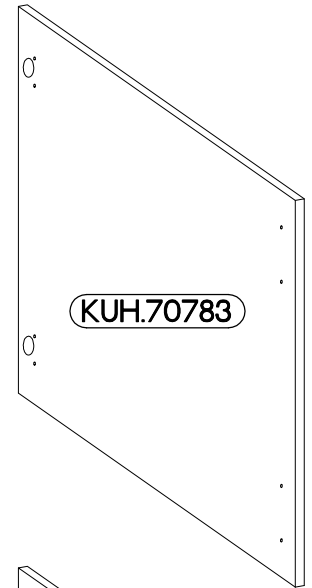
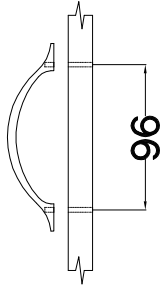
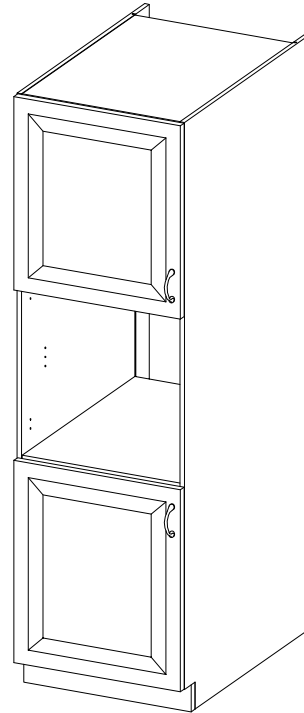
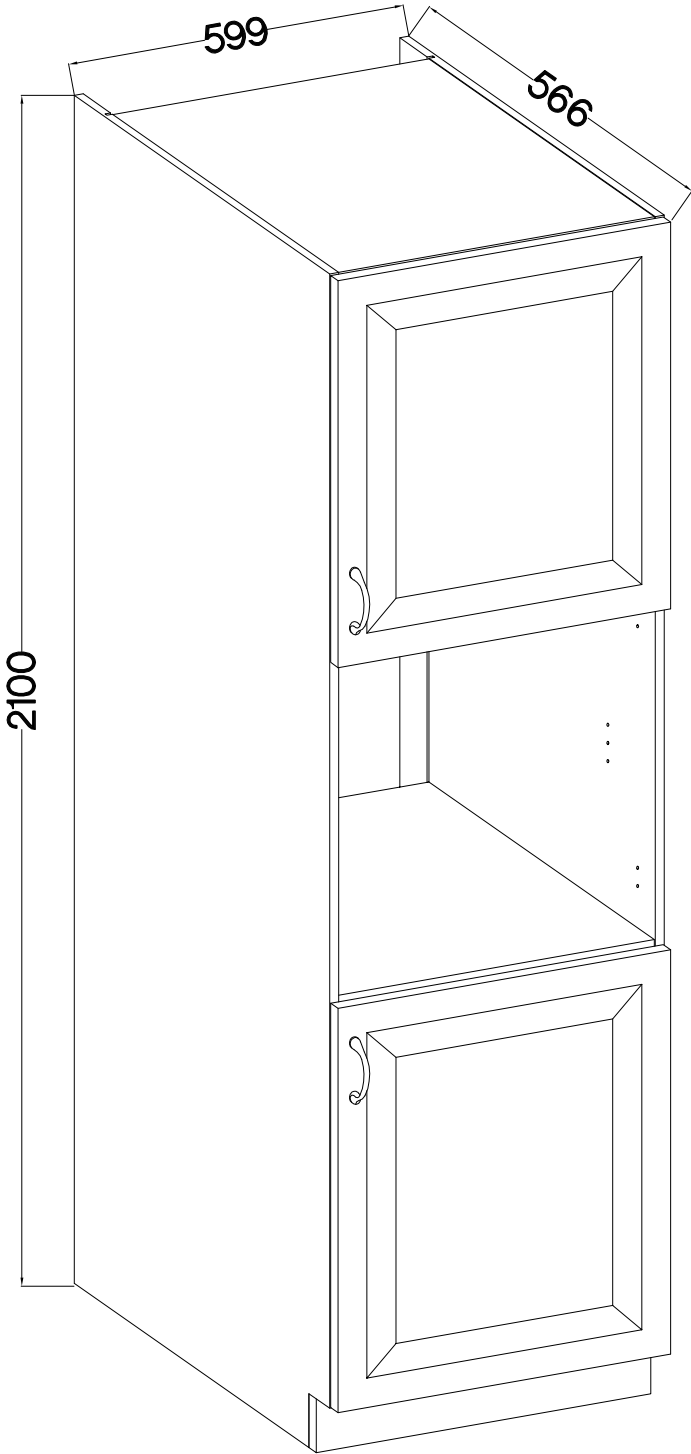
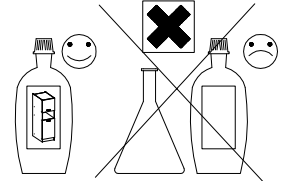


60 DP-2100 2F  
FRONT

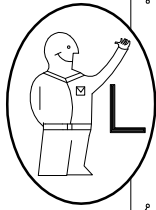


ISM-KUH-01206

1

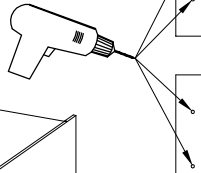
LEFT

RIGHT



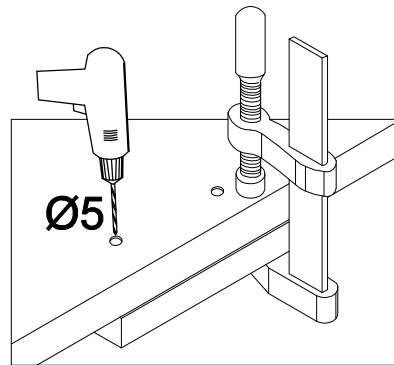
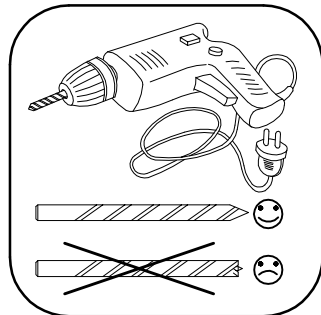
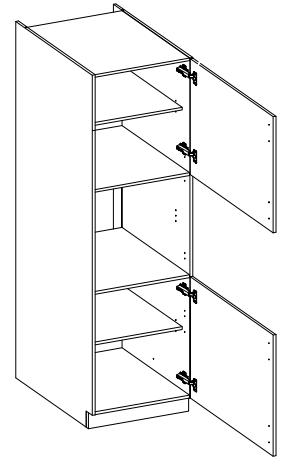
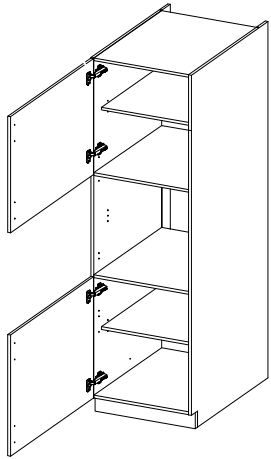
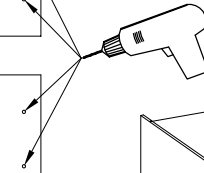
KUH.70783

KUH.70783



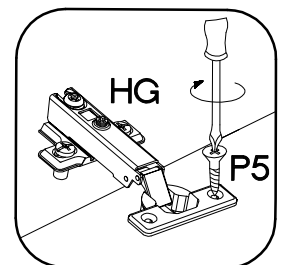
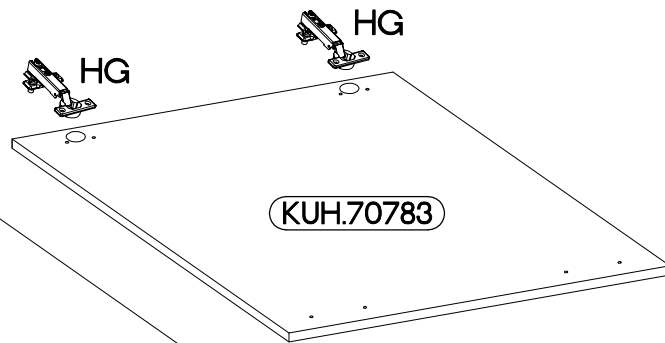
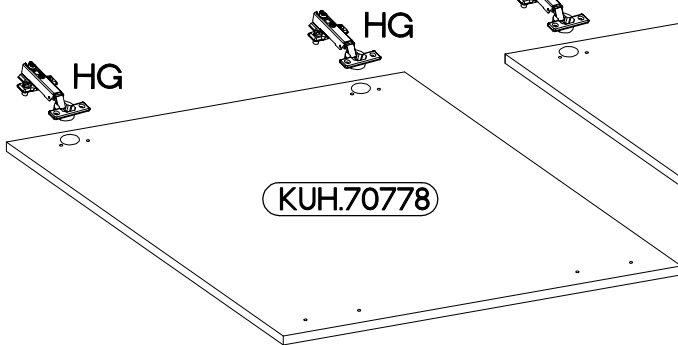
KUH.70778

KUH.70778



2

±35/0mm	±3.5x13mm
HG	P5
4	8



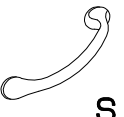
3

M4x22mm



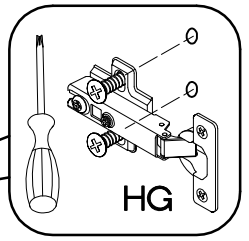
U

4



S

2



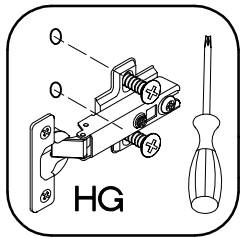
HG



R

KUH.70783

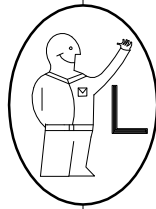
KUH.70778



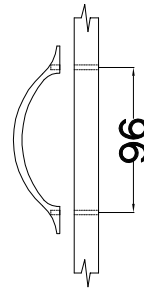
HG

KUH.70783

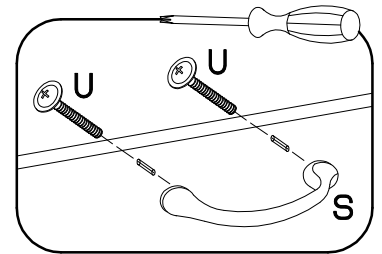
KUH.70778



L



96



U

U

S

