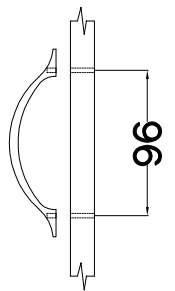
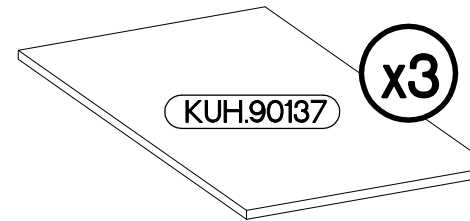
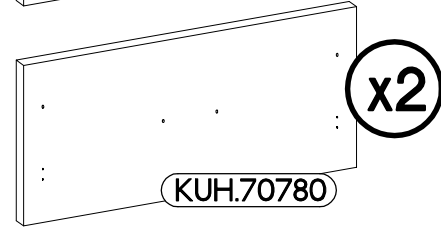
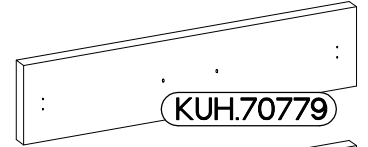
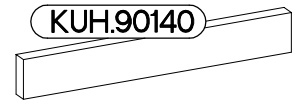
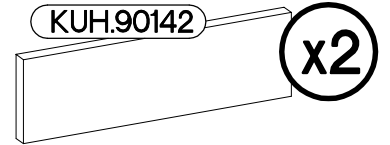
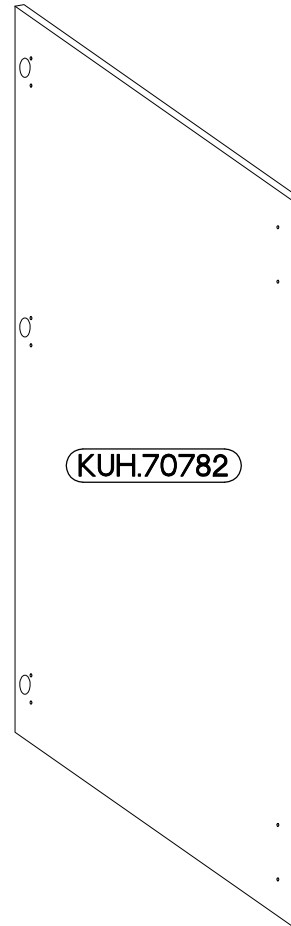
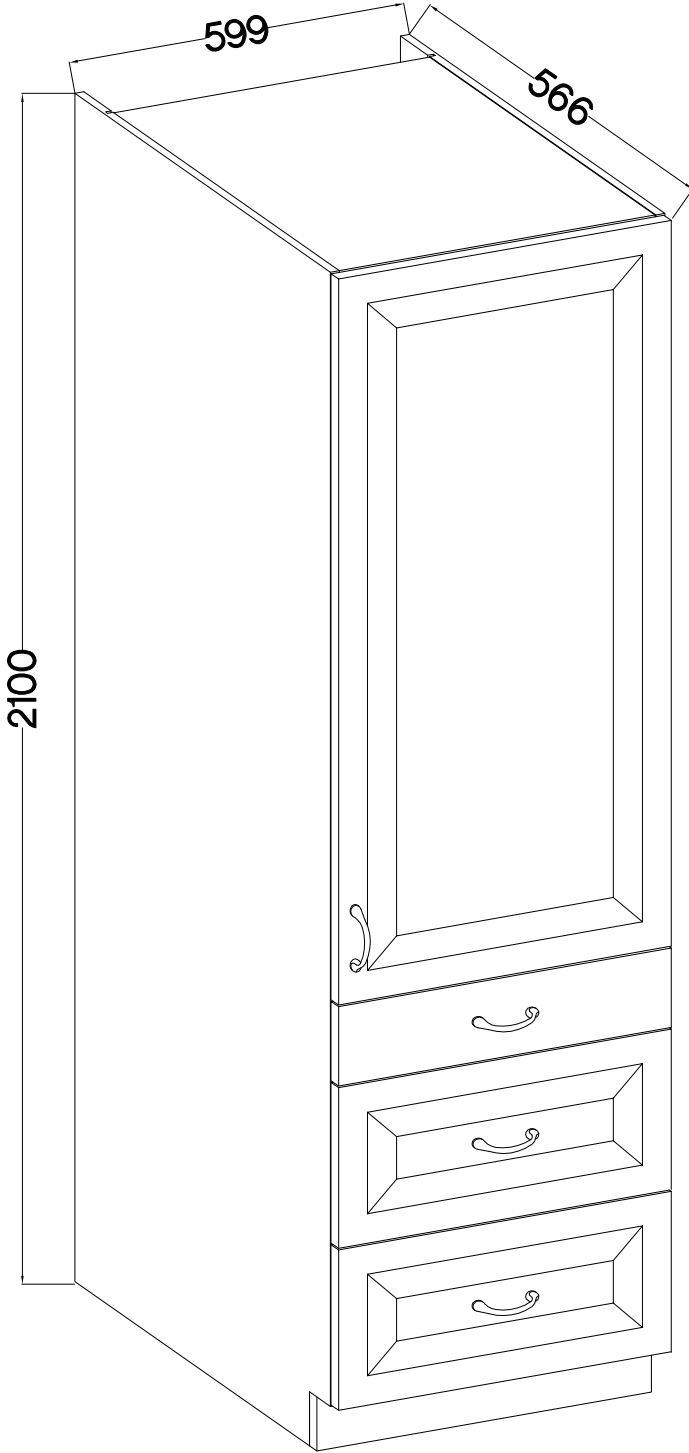


60 DKS-2100 1F 3S

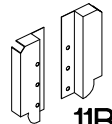
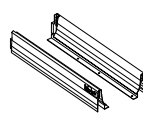
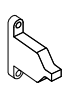
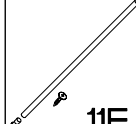



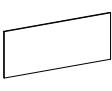
FRONT

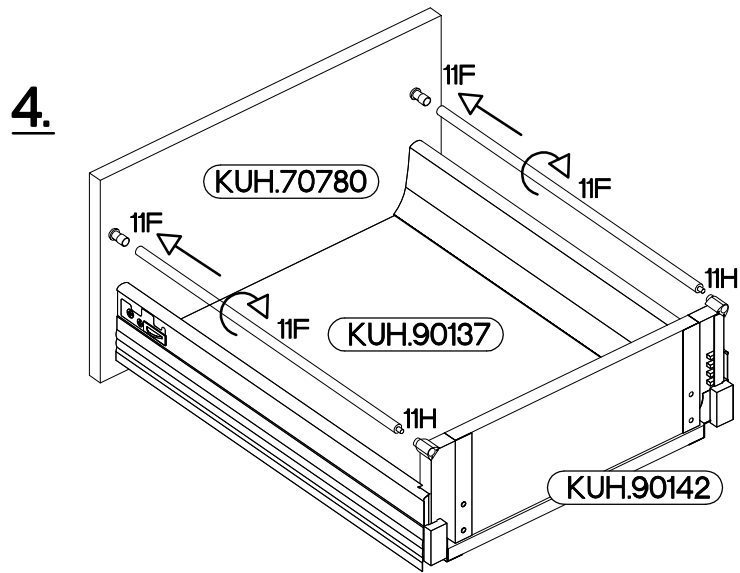
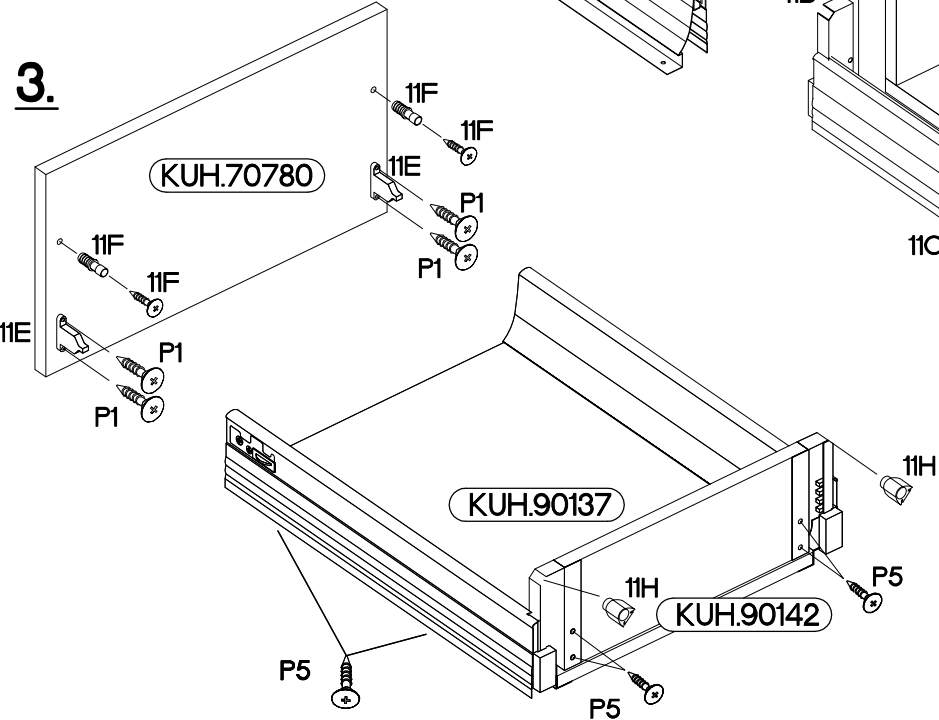
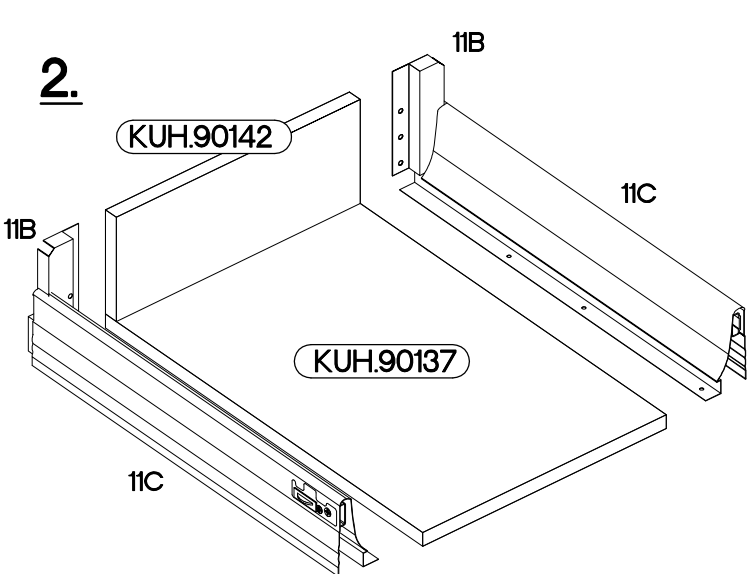
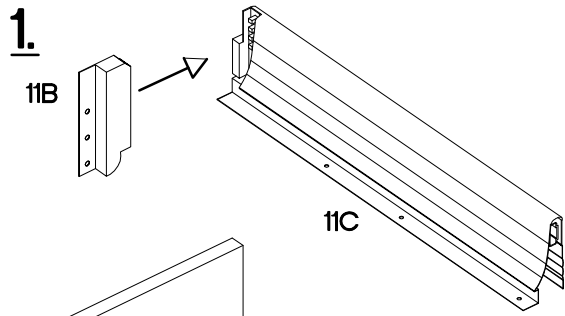


11B	11D	11E	11F	11G	11H	3	3	+6.3x13mm	+4.0x16mm
2	1	6	4	6	4	M3	P1	P5	M4x22mm
						12	24	18	4
									S
									U
									8

ISM-KUH-01207

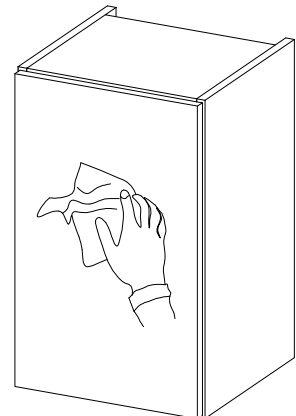
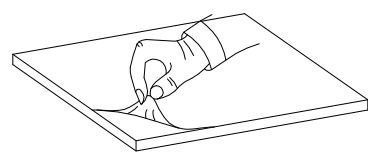
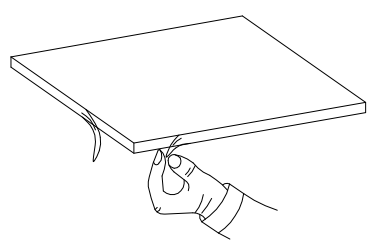
1

							
11B	11C	11E	11F	11H	P1	P5	11G
2	2	4	4	4	8	16	4

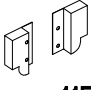
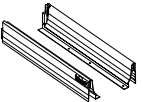
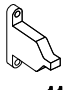





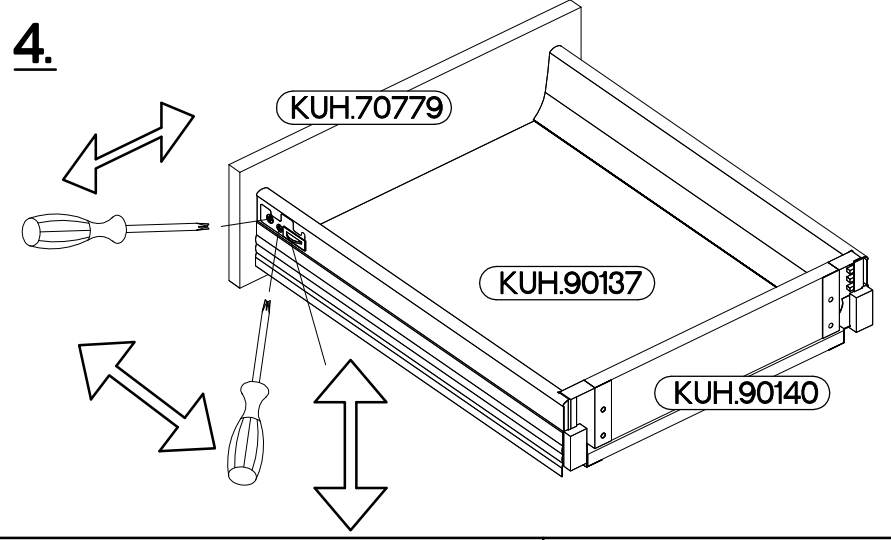
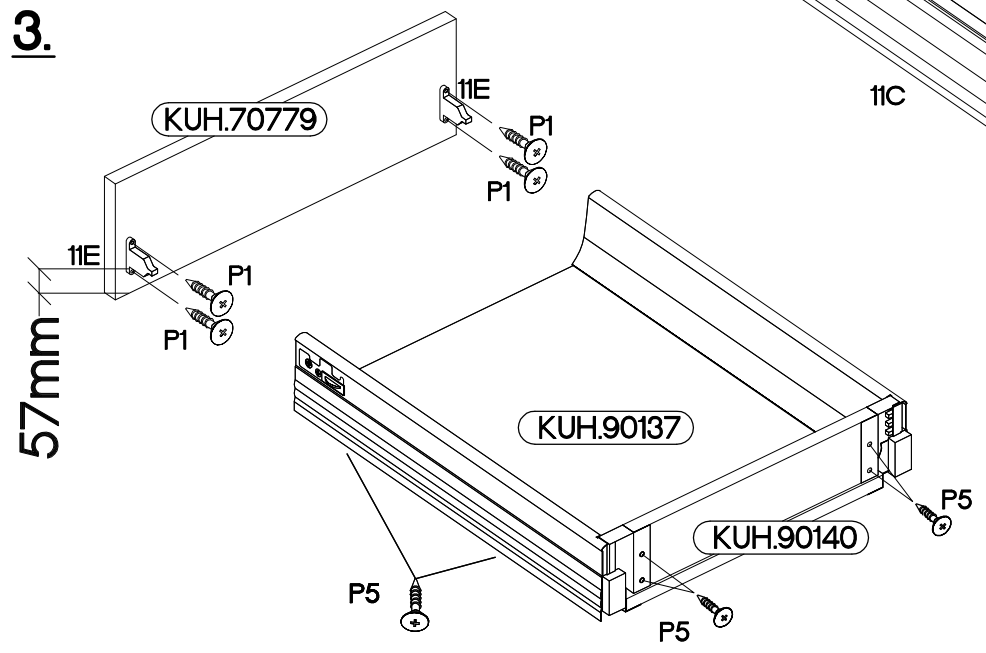
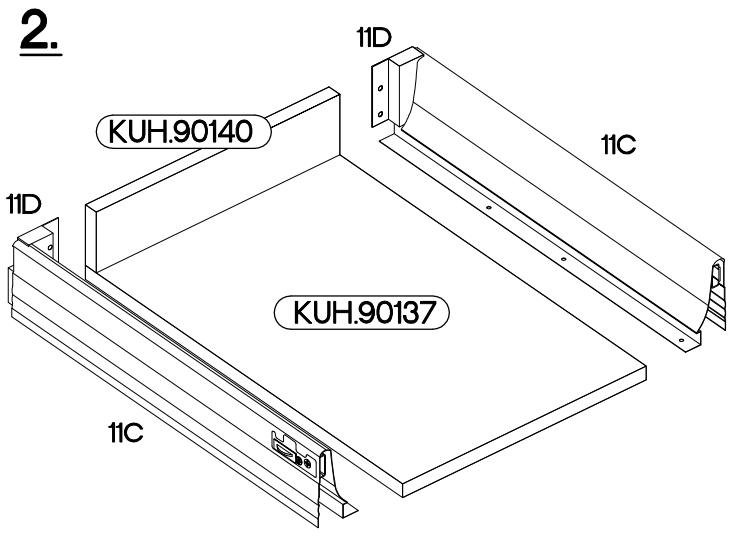
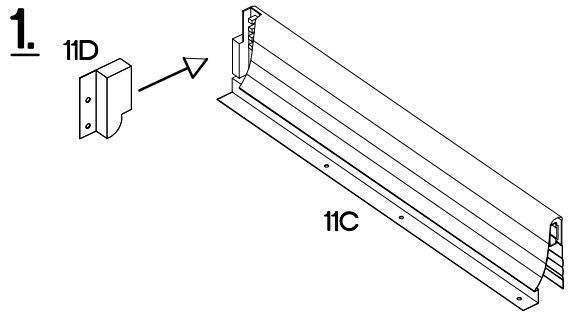
x2

VARIANT HIGH GLOSS

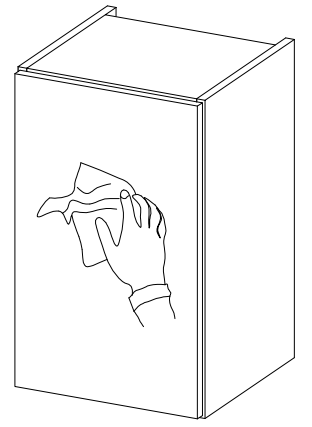
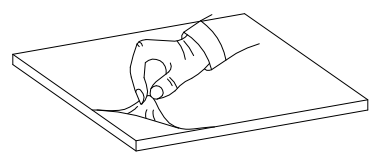
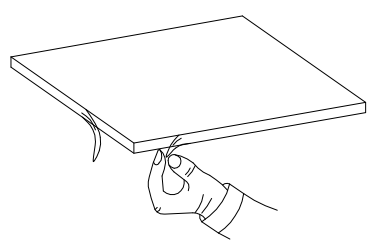


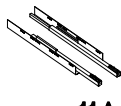


2

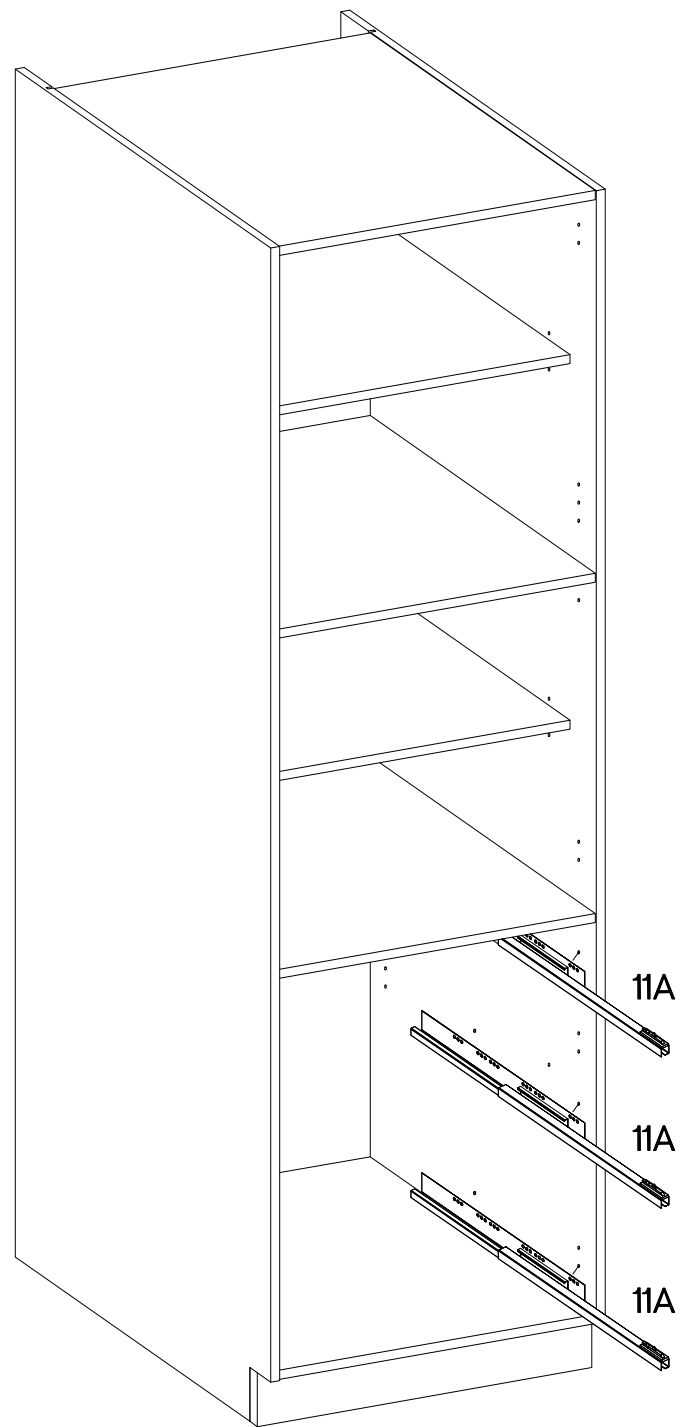
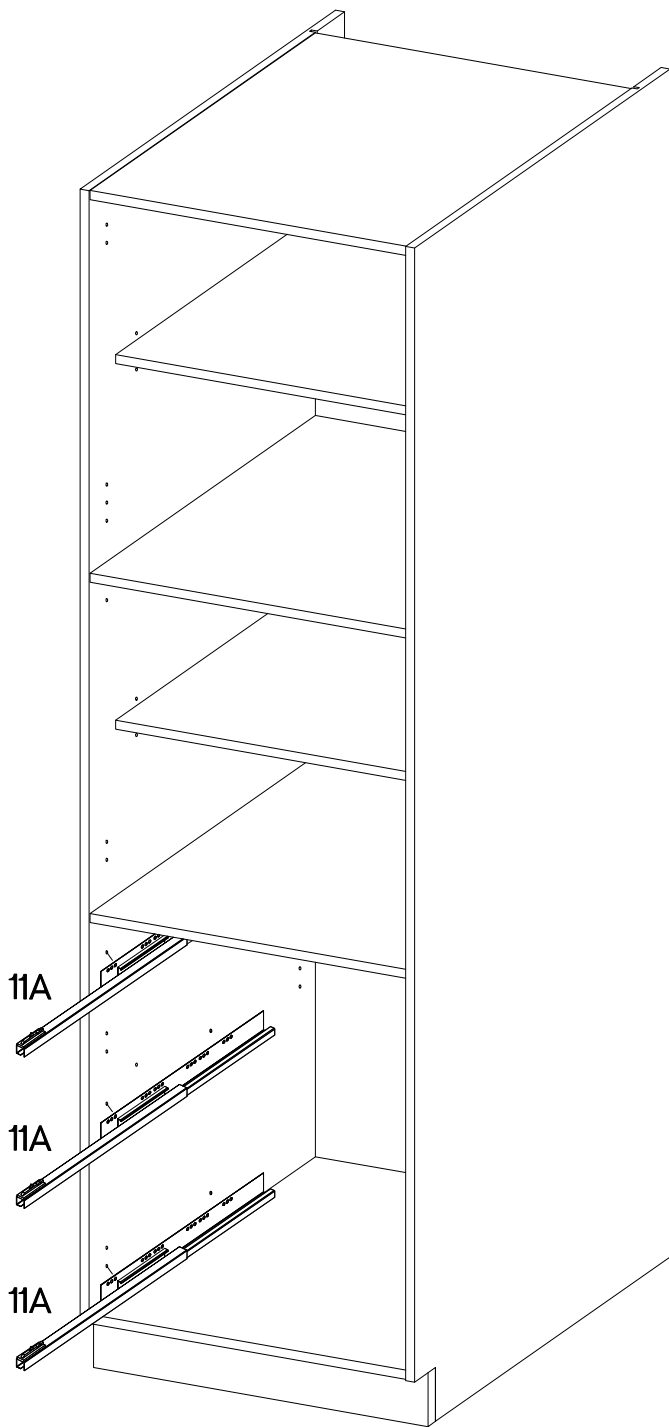
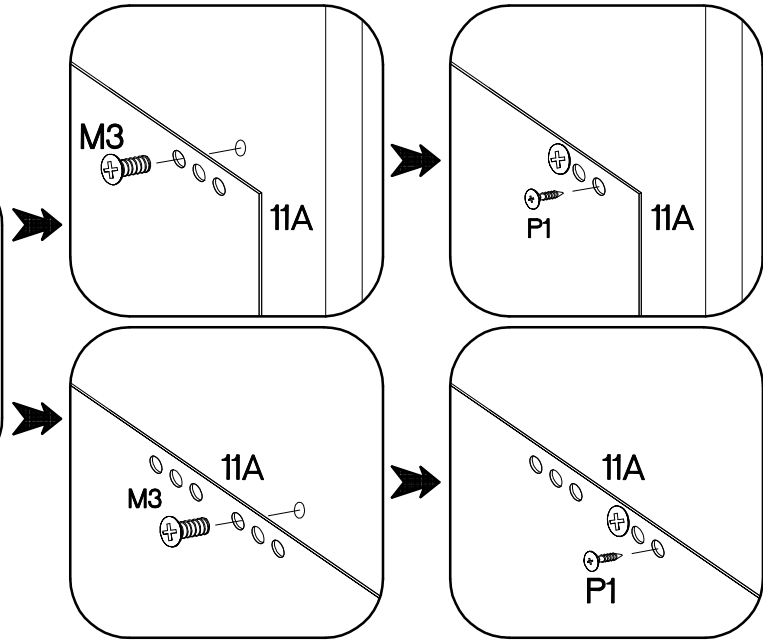
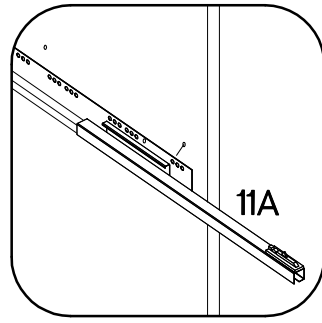
					
11D	11C	11E	P1	P5	11G
1	1	2	4	8	2



VARIANT HIGH GLOSS



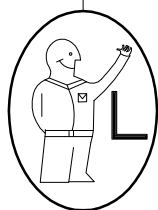
 11A 3	 M3 12	 P1 12
--	---	---



4

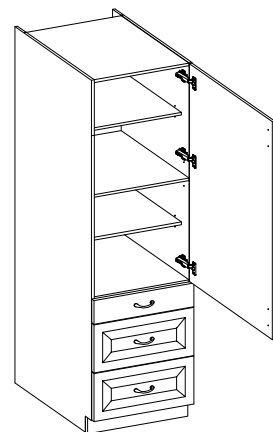
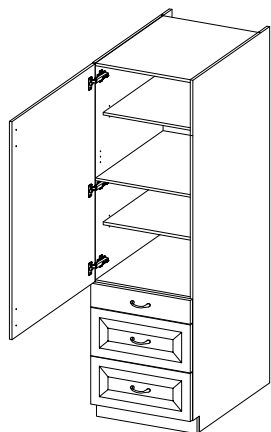
LEFT

RIGHT



KUH.70782

KUH.70782



KUH.70779

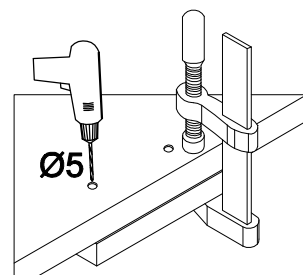
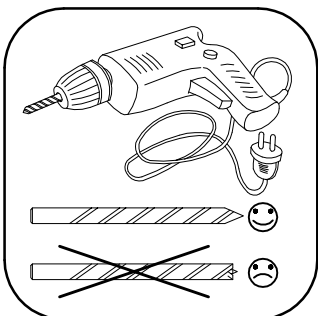
KUH.70779

KUH.70780



KUH.70780

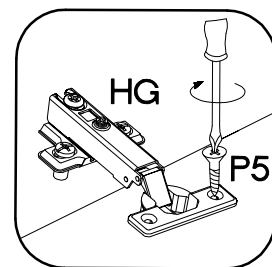
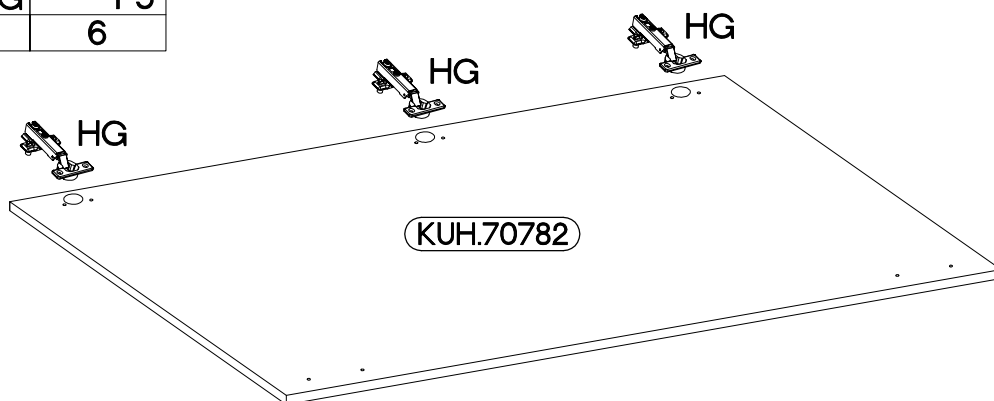
KUH.70780

KUH.70780



5

	
‡35/0mm	‡3.5x13mm
HG	P5
3	6



6

M4x22mm



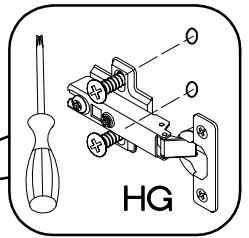
U

8

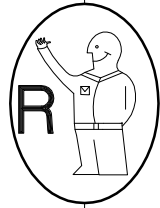


S

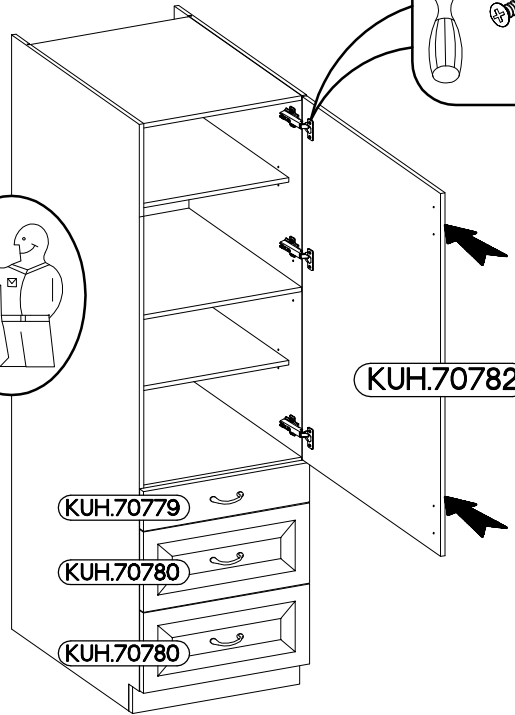
4



HG



R

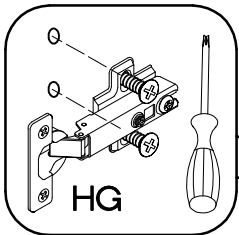


KUH.70782

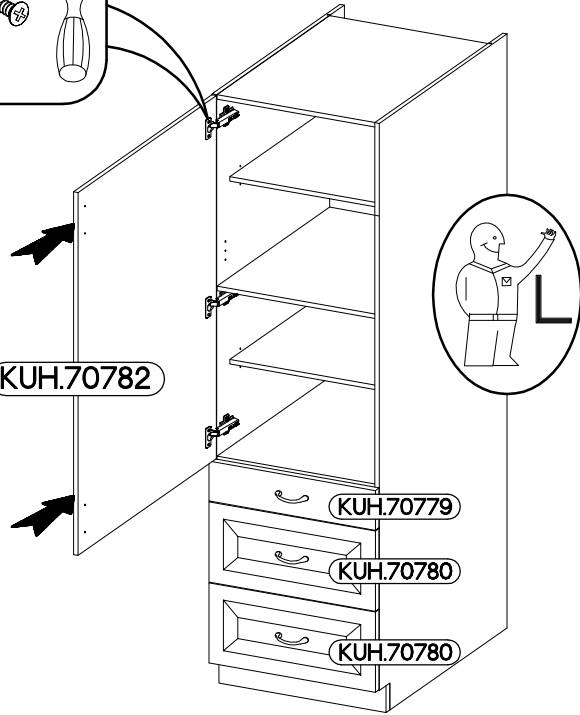
KUH.70779

KUH.70780

KUH.70780



HG

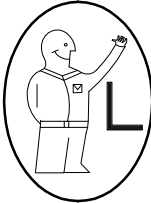


KUH.70782

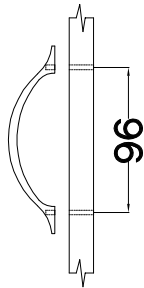
KUH.70779

KUH.70780

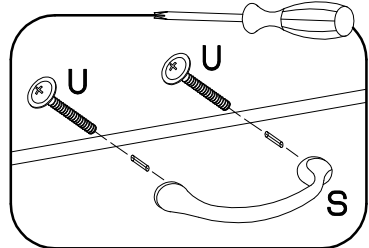
KUH.70780



L



96



U

S

