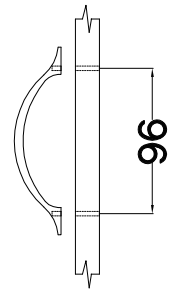
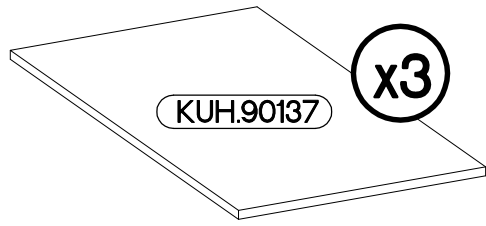
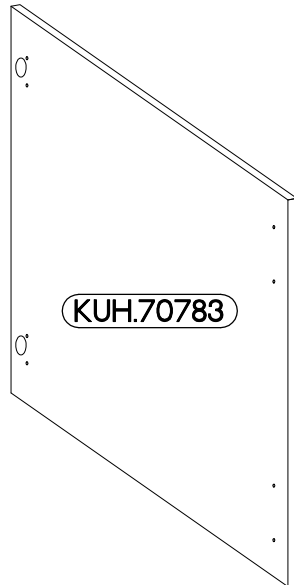
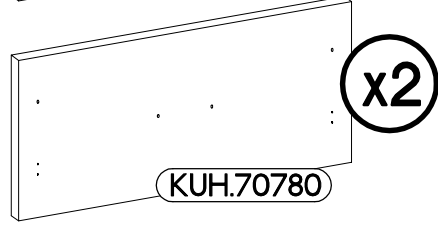
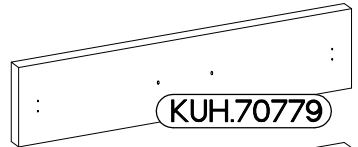
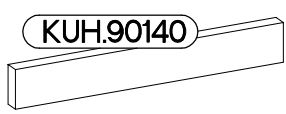
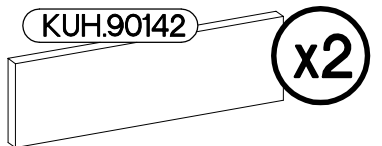
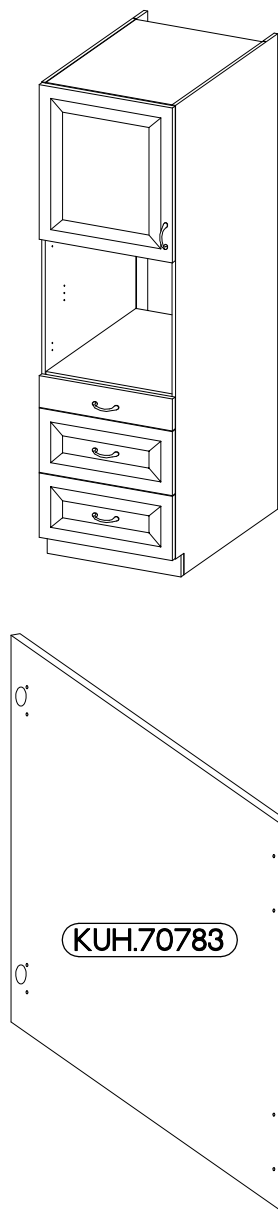
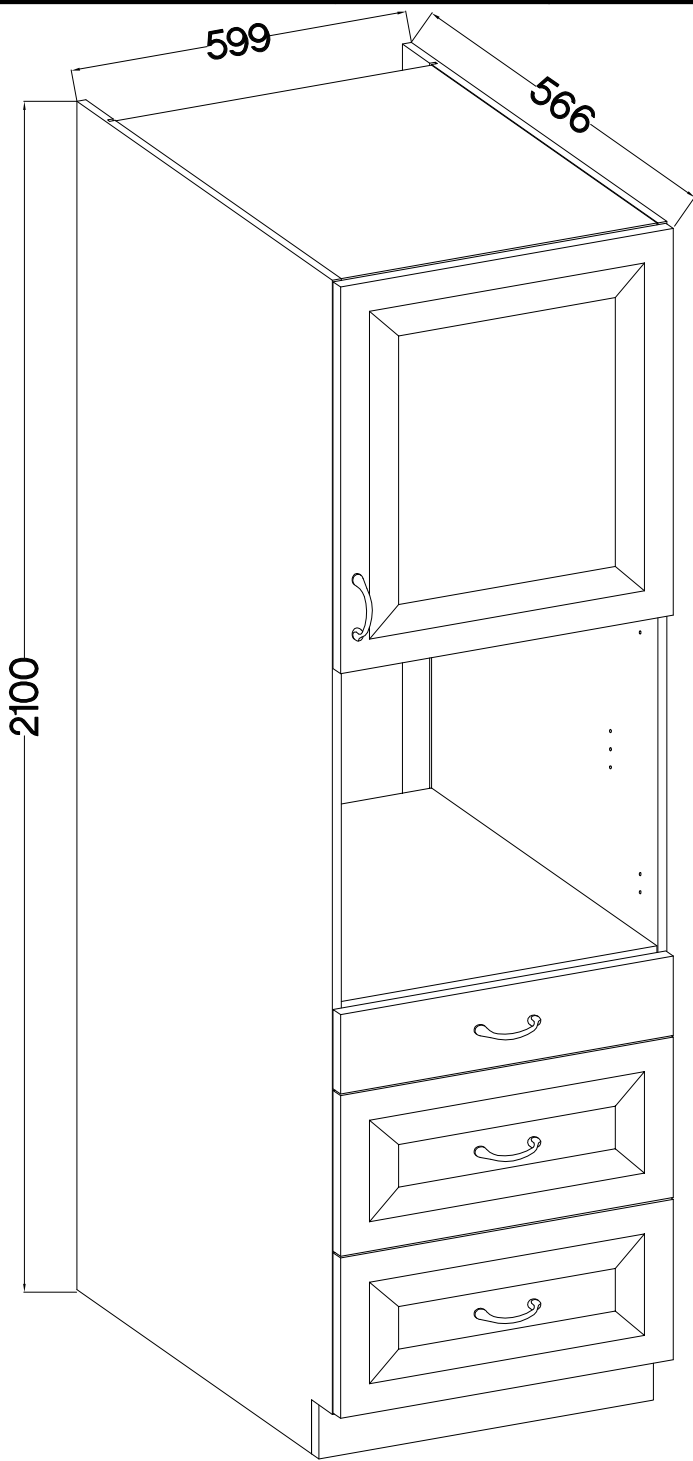
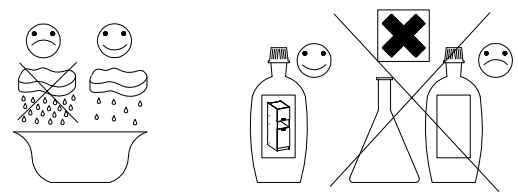


60 DPS-2100 1F 3S

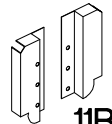
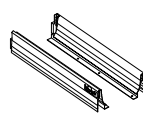
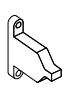
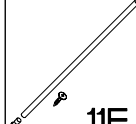



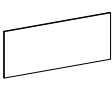
FRONT

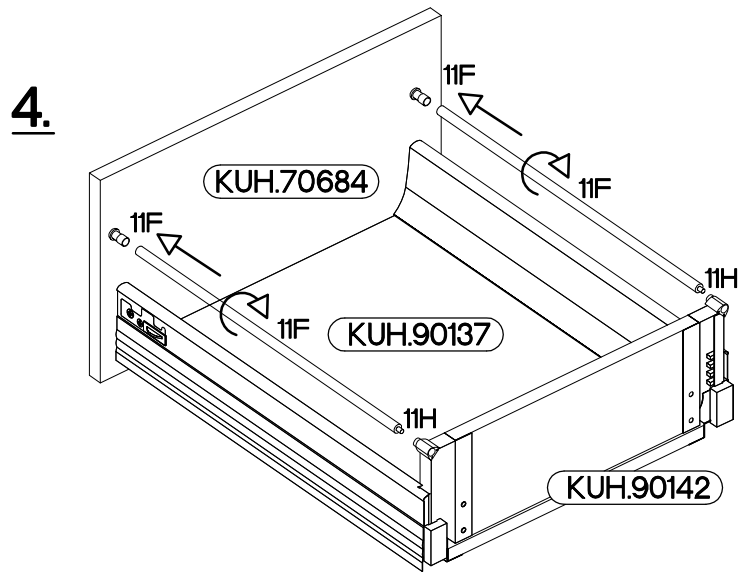
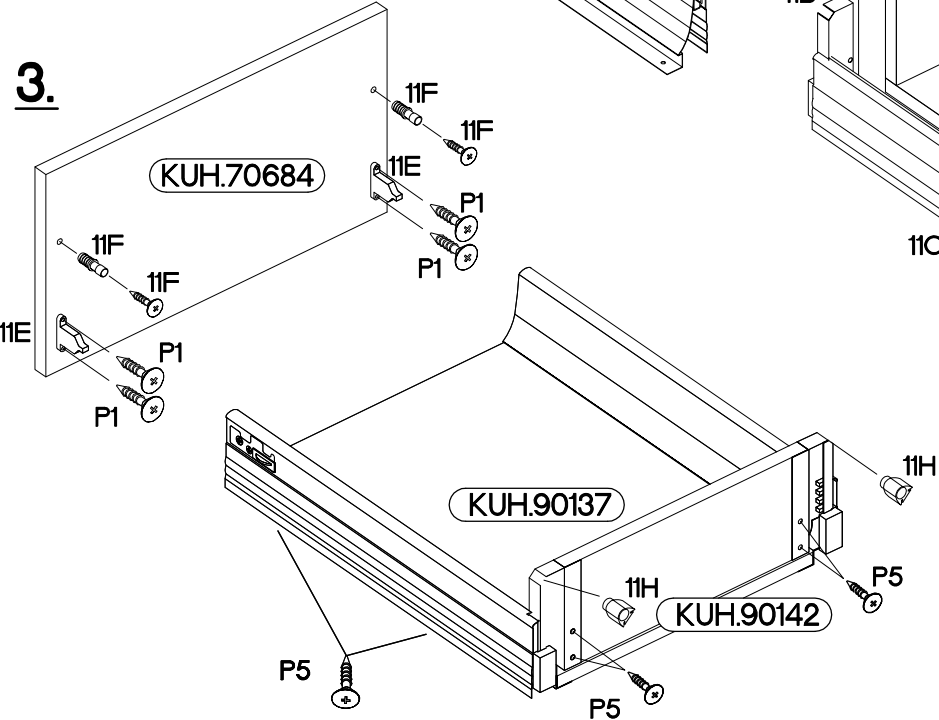
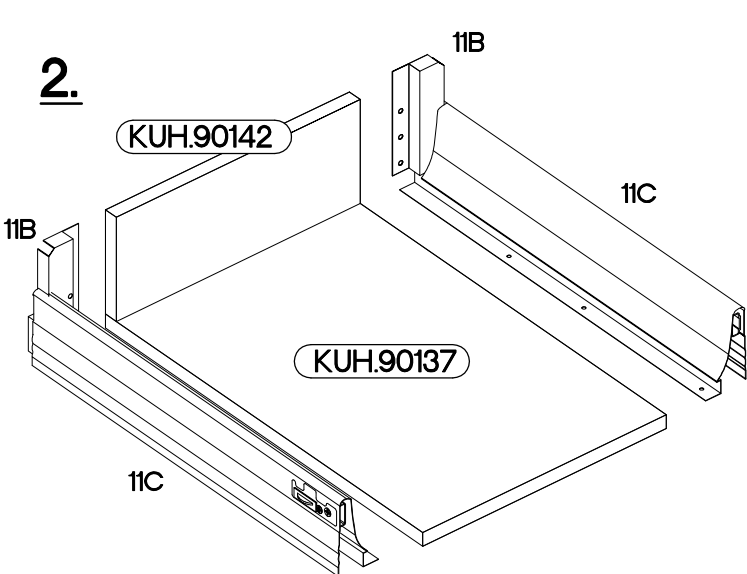
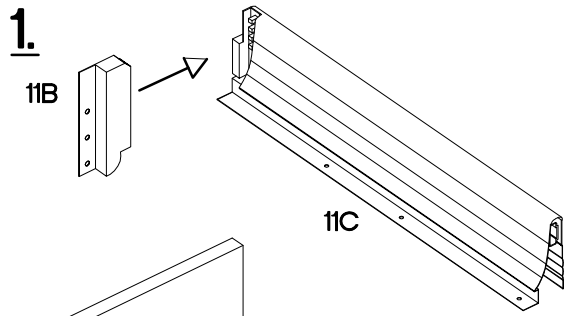


2	1	6	4	6	4	3	3	12	24	18	4	8
						+6.3x13mm	+4.0x16mm		+3.5x13mm			M4x22mm

ISM-KUH-01208

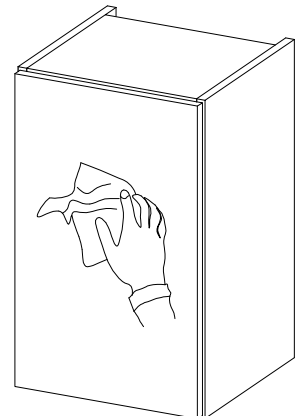
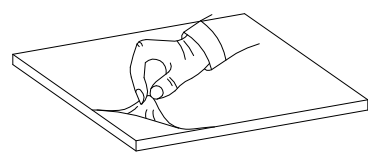
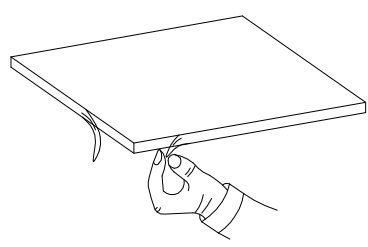
1

							
11B	11C	11E	11F	11H	P1	P5	11G
2	2	4	4	4	8	16	4

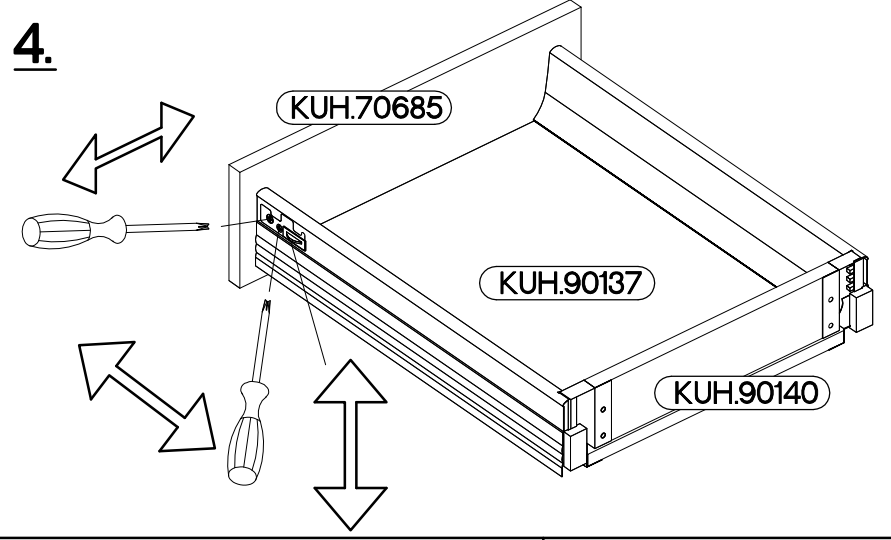
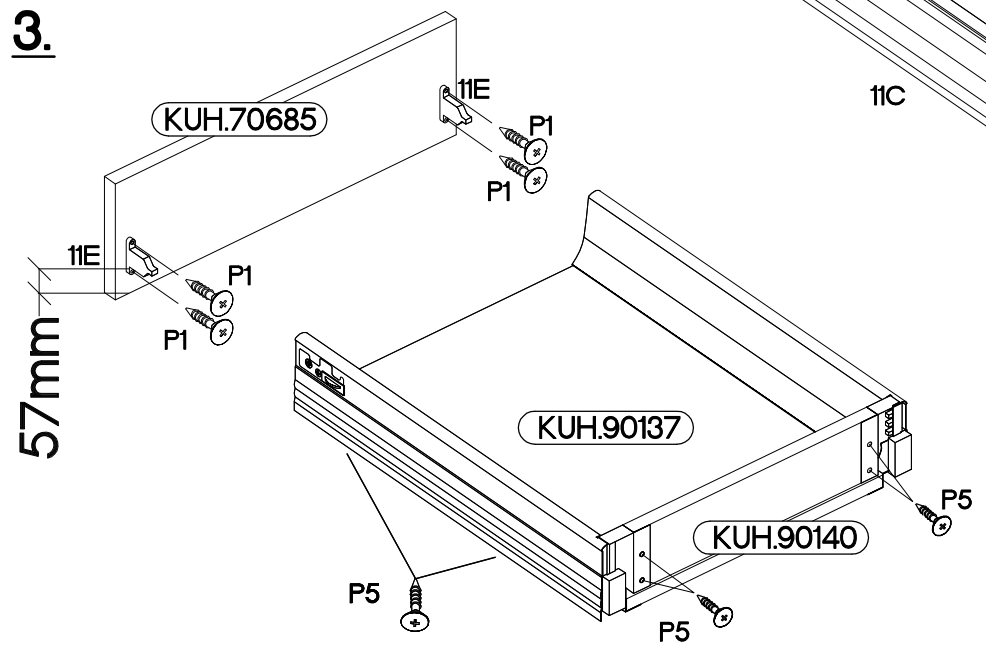
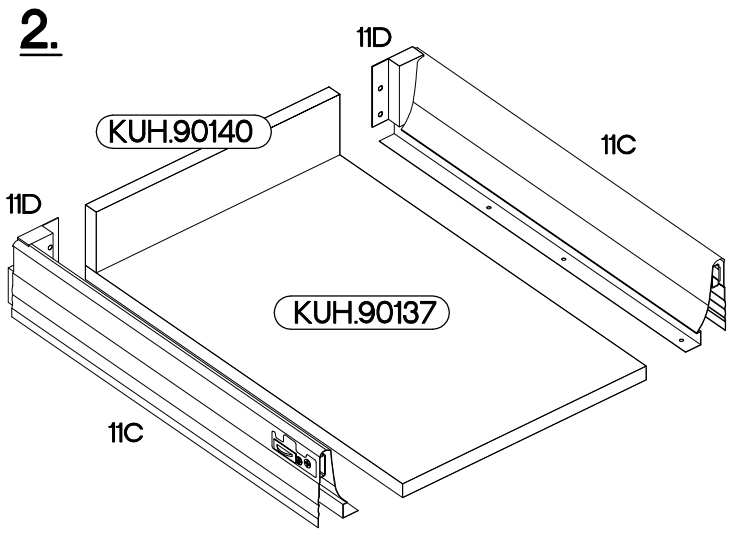
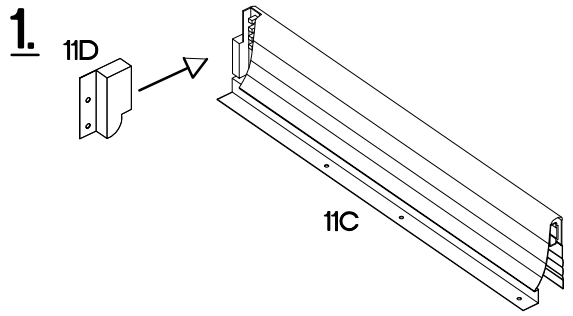


x2

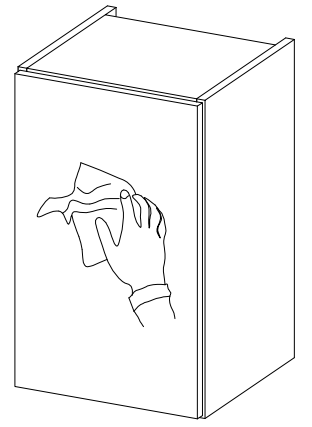
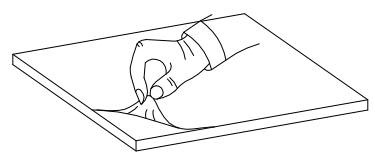
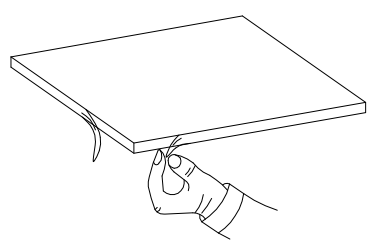
VARIANT HIGH GLOSS






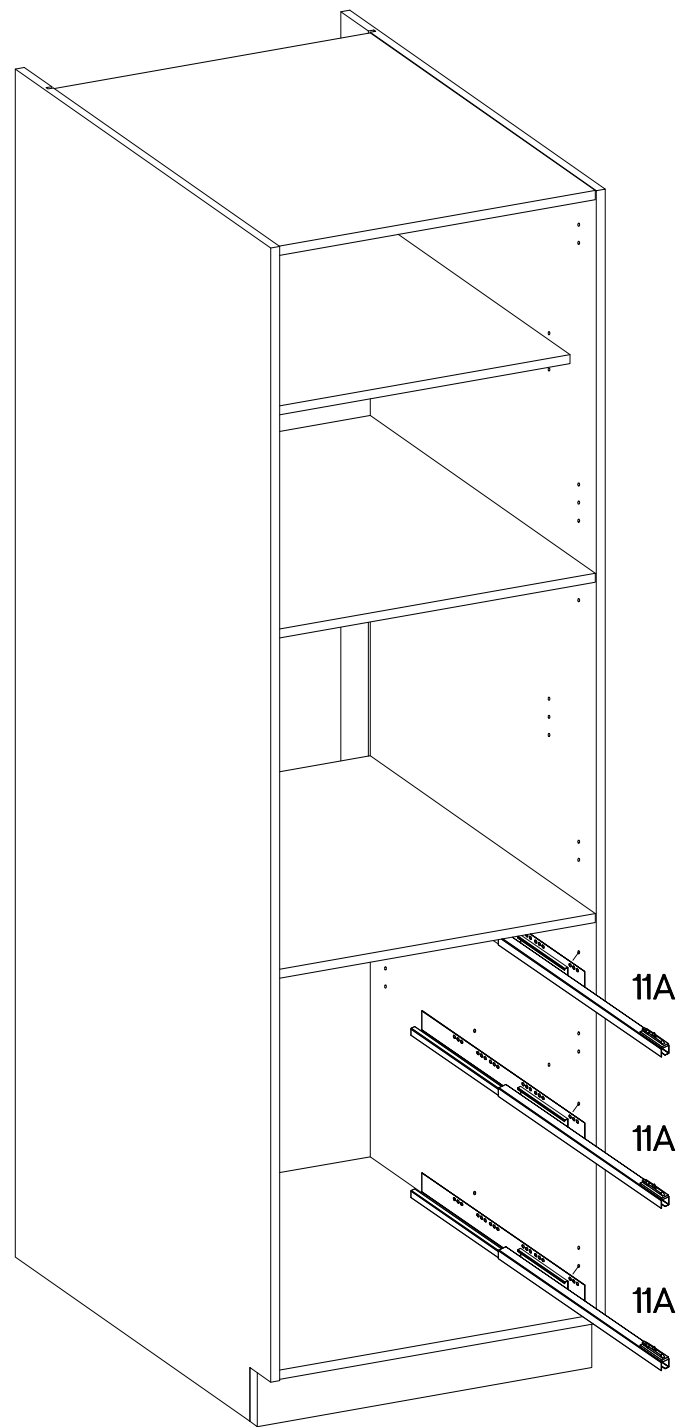
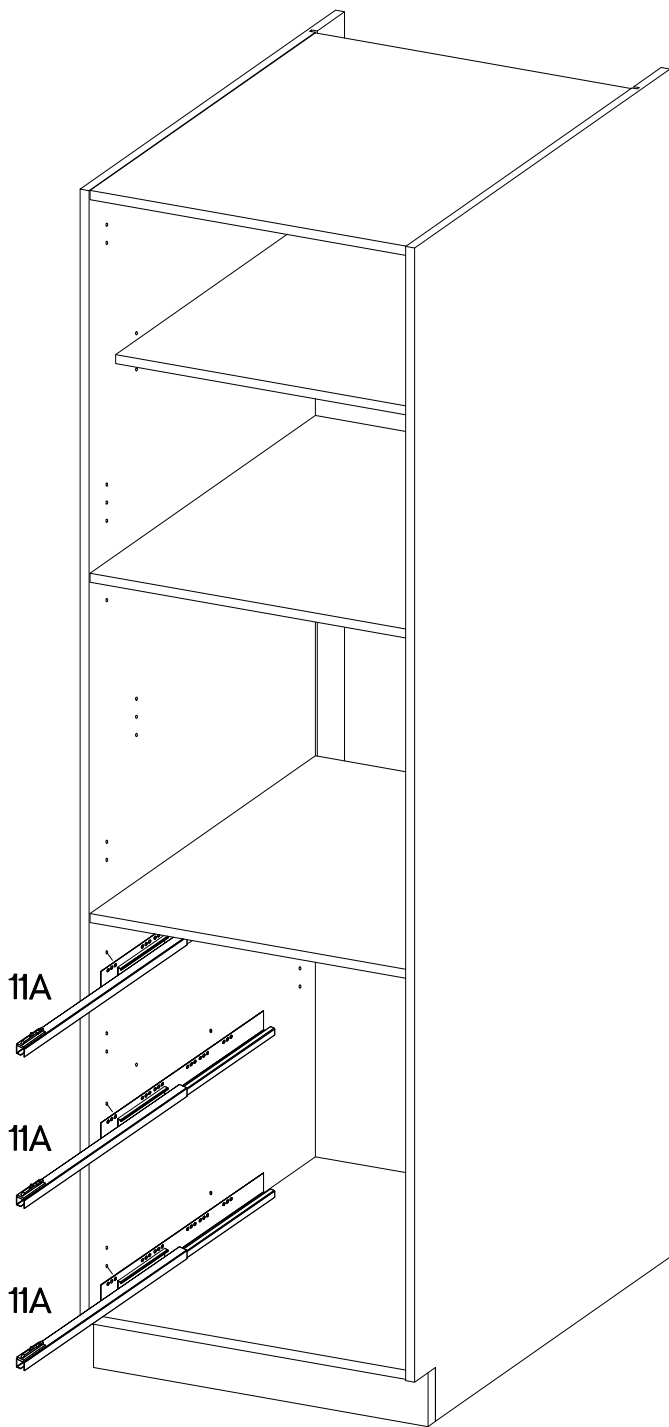
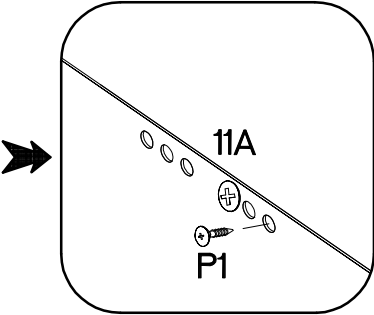
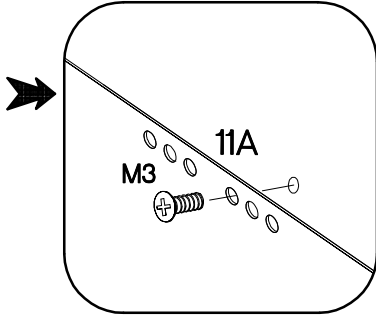
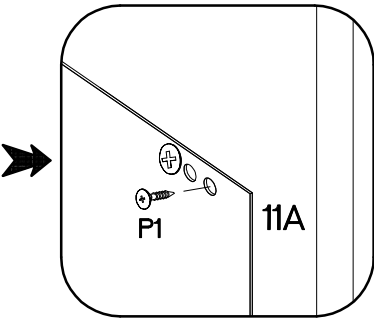
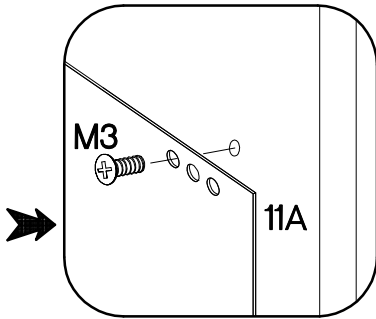
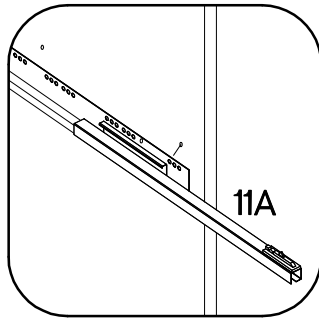
11D	11C	11E	P1	P5	11G
1	1	2	4	8	2



## VARIANT HIGH GLOSS



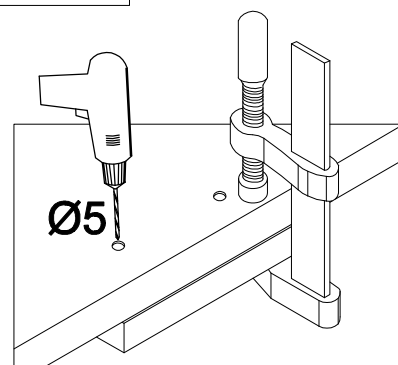
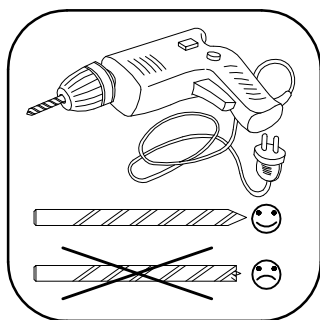
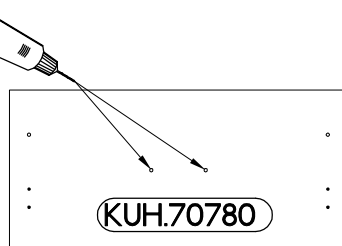
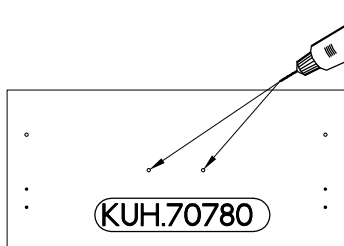
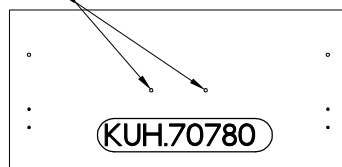
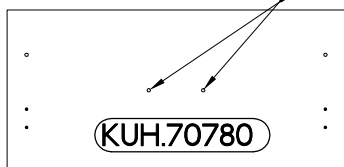
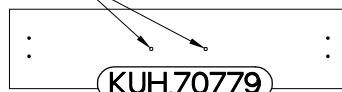
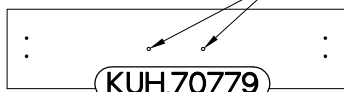
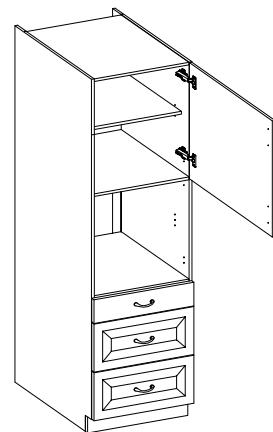
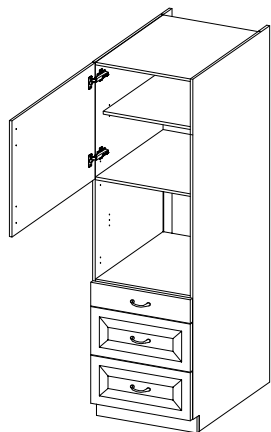
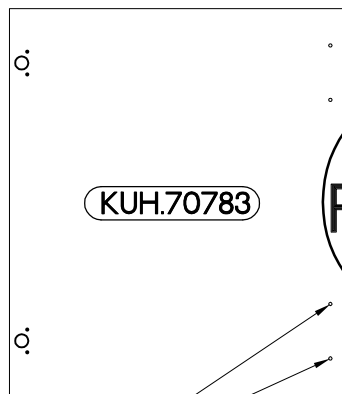
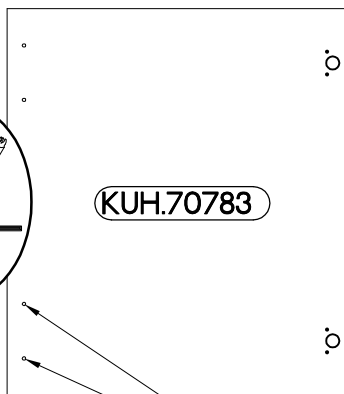
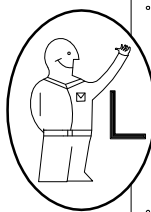
 11A 3	 M3 12	 P1 12
--	---	---





4

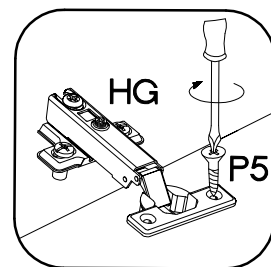
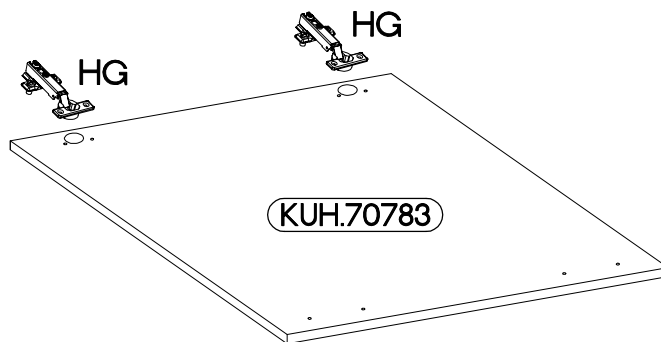
LEFT

RIGHT



5

	
‡35/0mm	‡3.5x13mm
HG	P5
2	4



6

M4x22mm



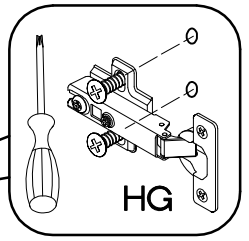
U

8



S

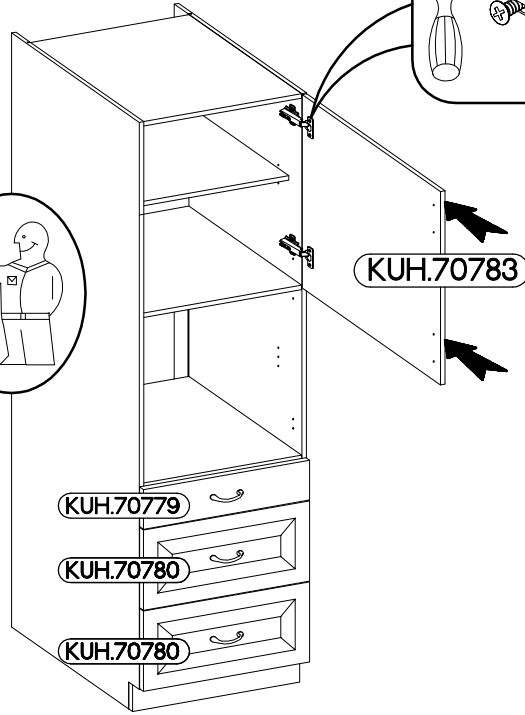
4



HG



R

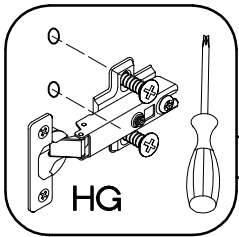


KUH.70783

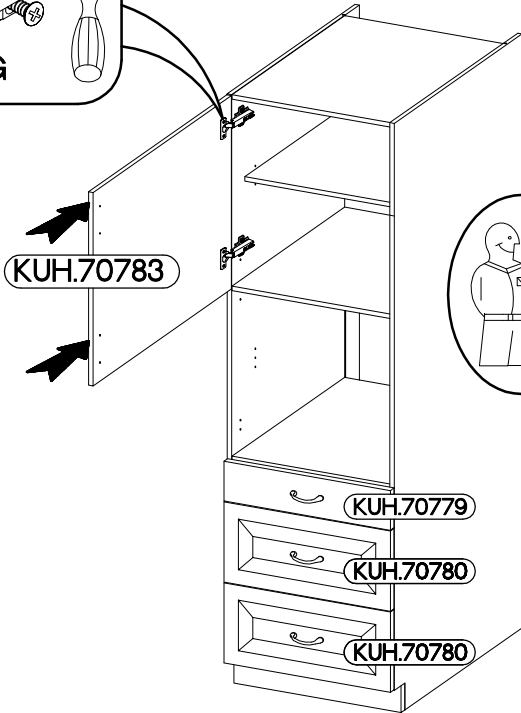
KUH.70779

KUH.70780

KUH.70780



HG

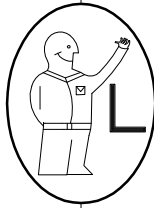


KUH.70783

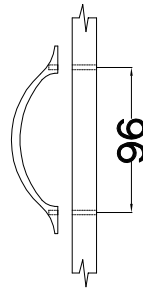
KUH.70779

KUH.70780

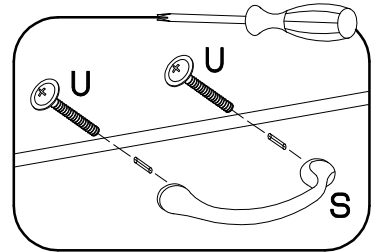
KUH.70780



L



96



U

S

