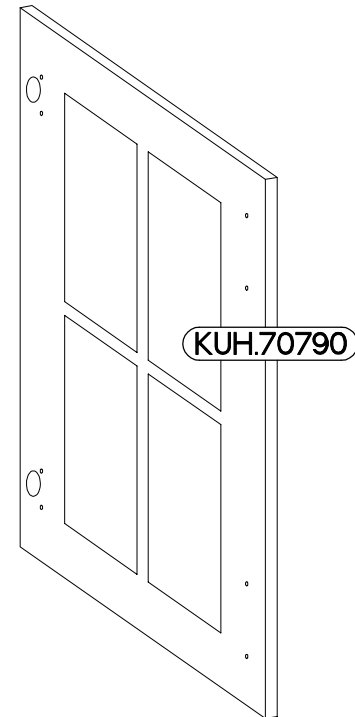
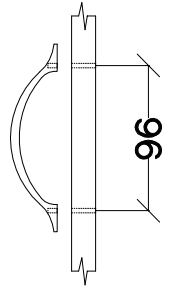
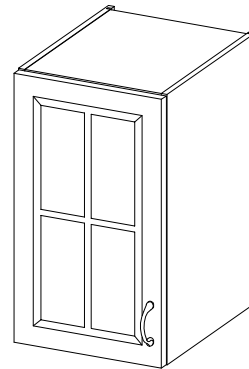
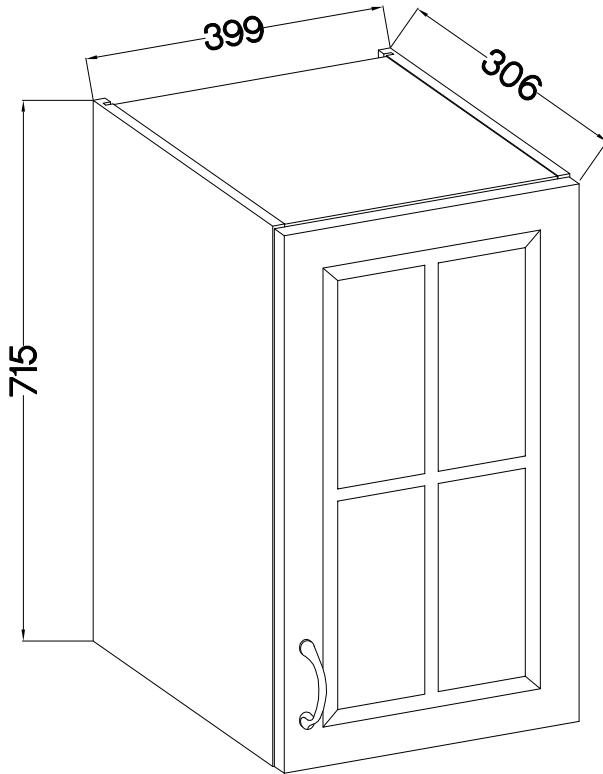




40 G-72 1F WS

FRONT



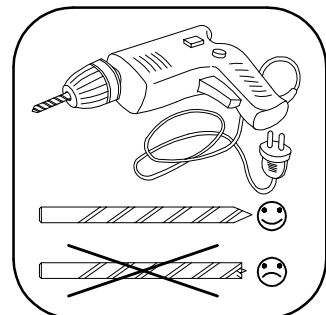
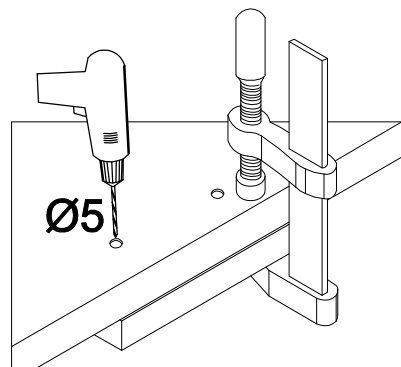
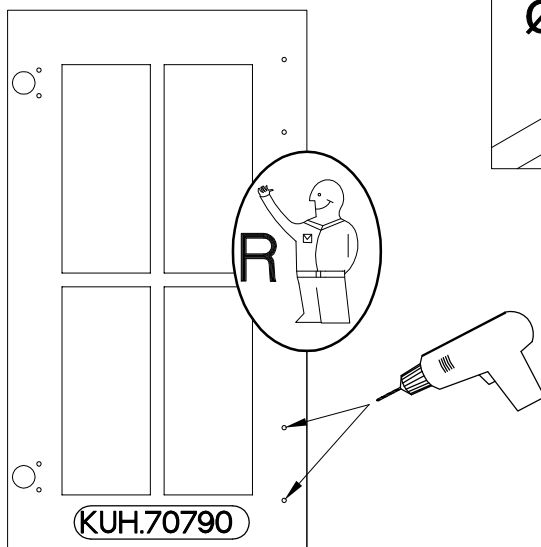
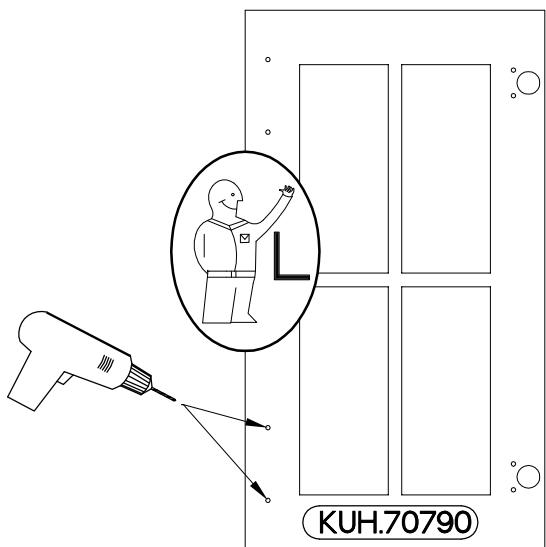
M4x22mm	
	
U	S
2	1

ISM-KUH-01210


1

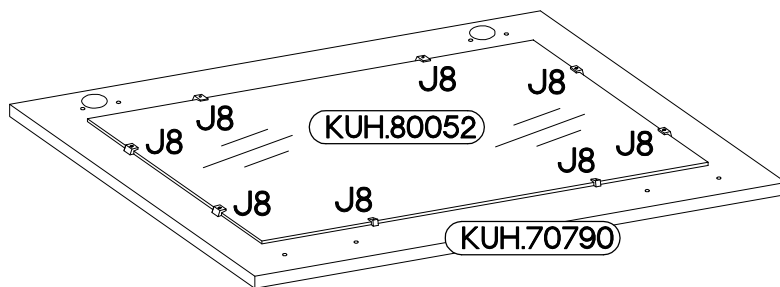
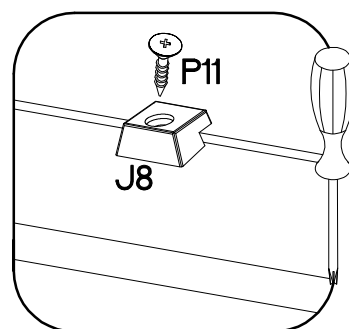
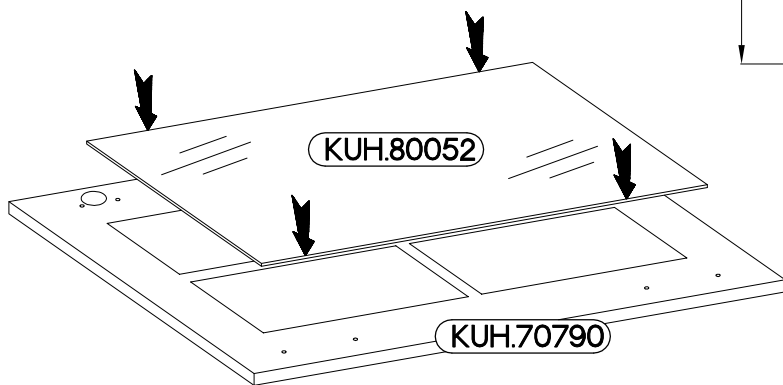
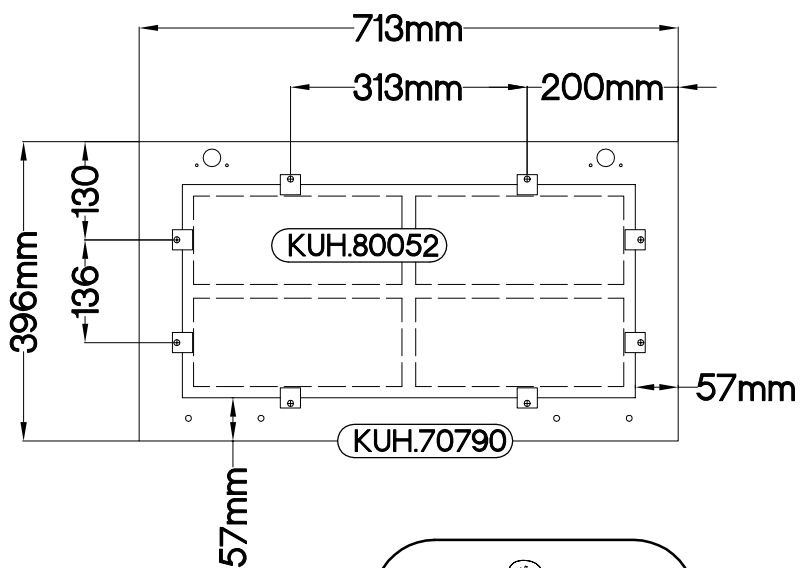
LEFT

RIGHT





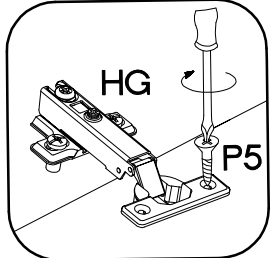
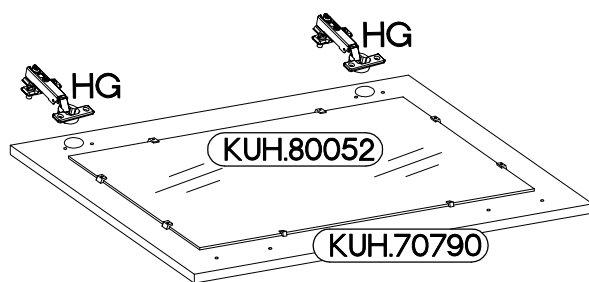
2

	±3.0x16mm
J8	P11
8	8





3

+35/0mm  HG 2	+3.5x13mm  P5 4
--	--



4

M4x22mm  U 2	 S 1
--	---

