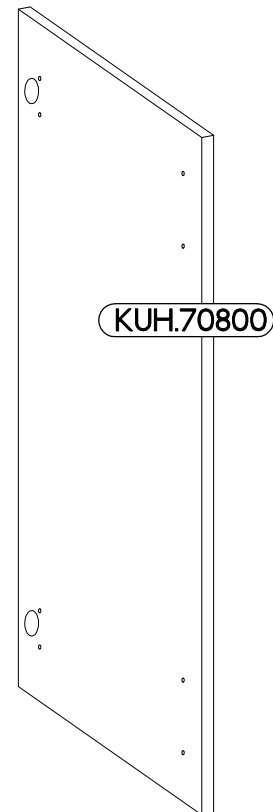
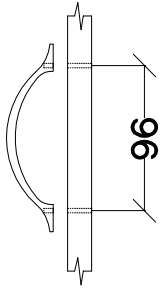
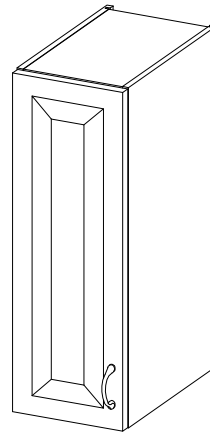
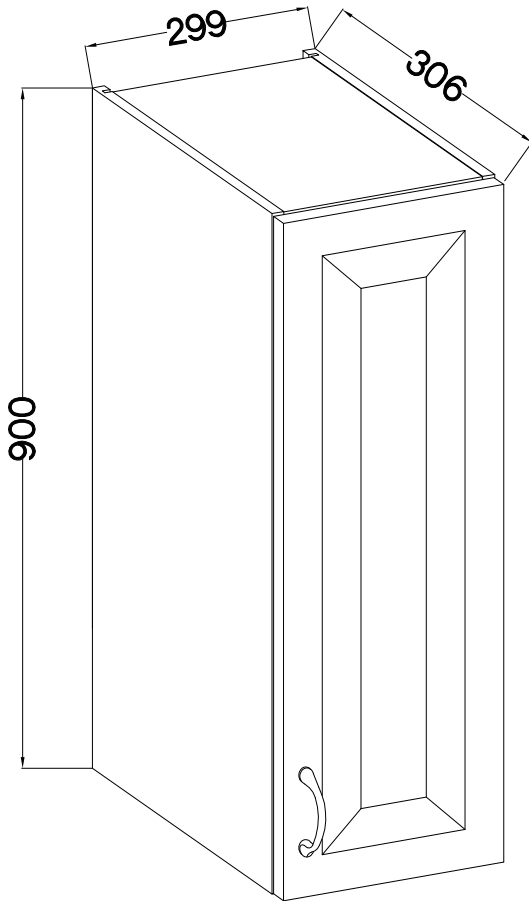




30 G-90 1F
FRONT



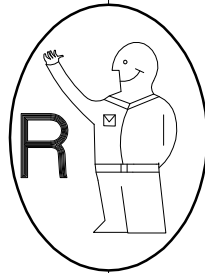
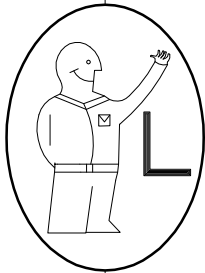
M4x22mm	
	
U	S
2	1

ISM-KUH-01213

1

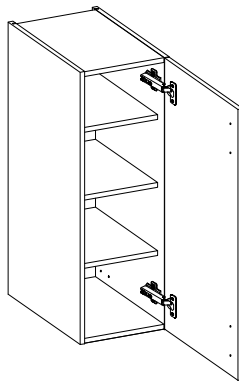
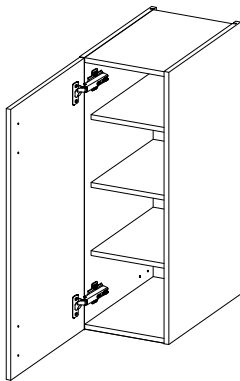
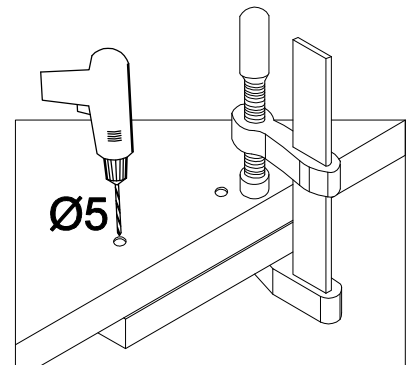
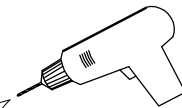
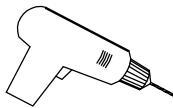
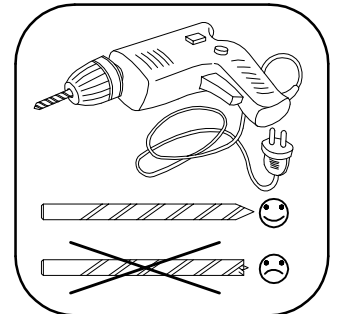
LEFT

RIGHT





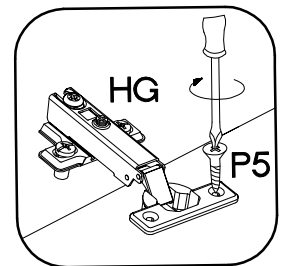
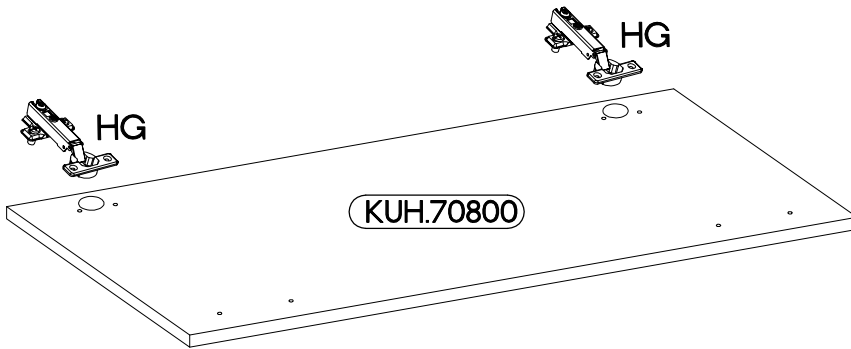
KUH.70800

KUH.70800



2

±35/0mm  HG 2	±3.5x13mm  P5 4
---	---



3

M4x22mm



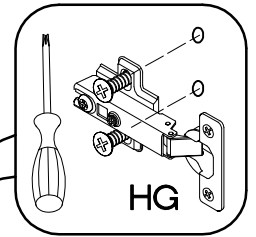
U

2

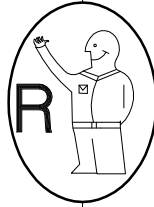


S

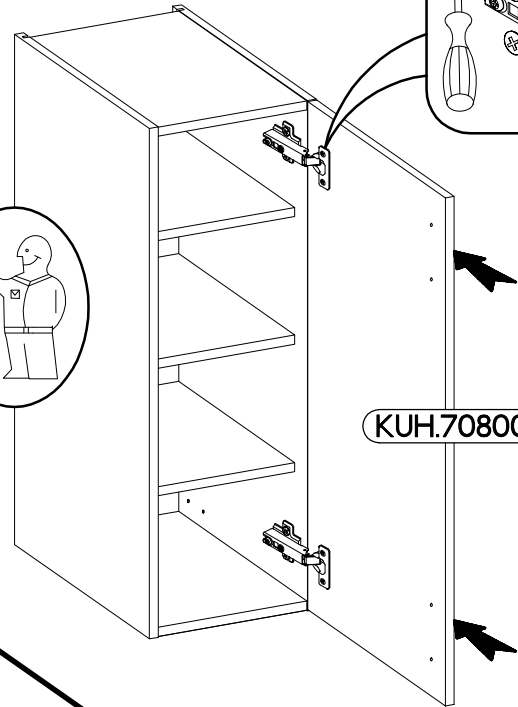
1



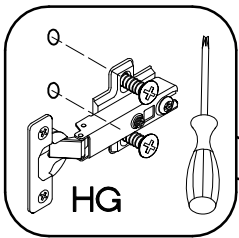
HG



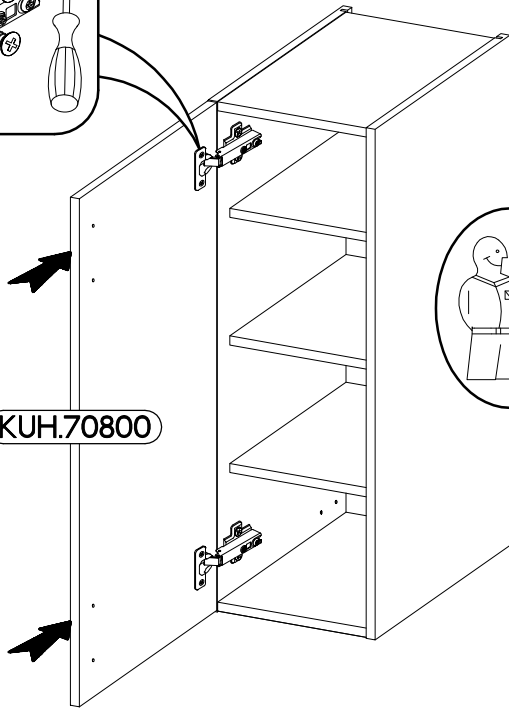
R



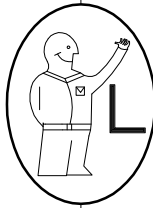
KUH.70800



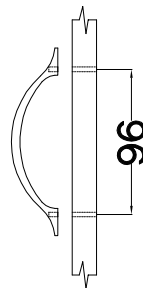
HG



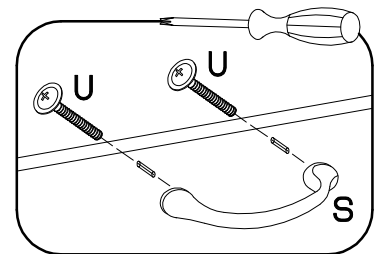
KUH.70800



L

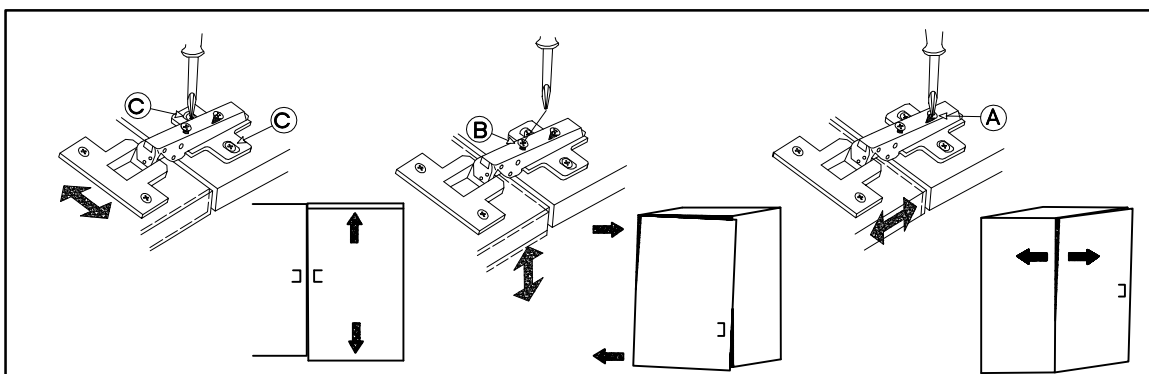


96

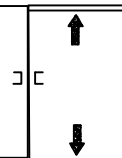


U

S

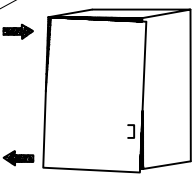


C



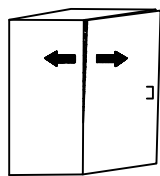
C

B



B

A



A