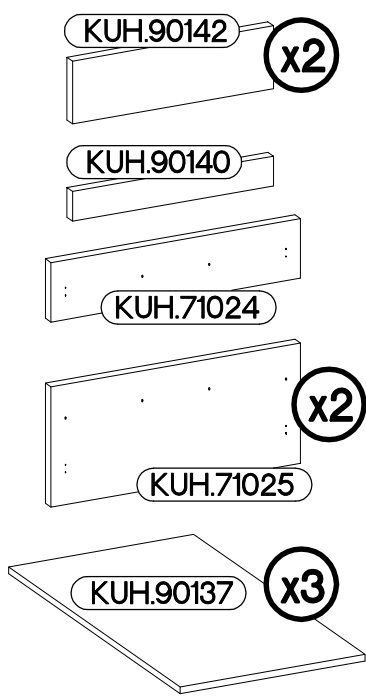
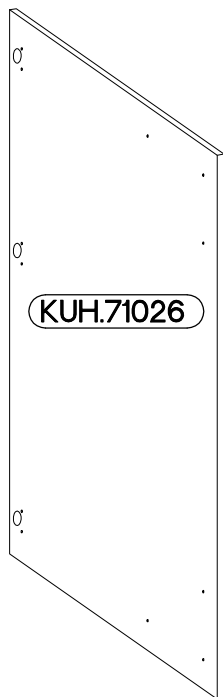
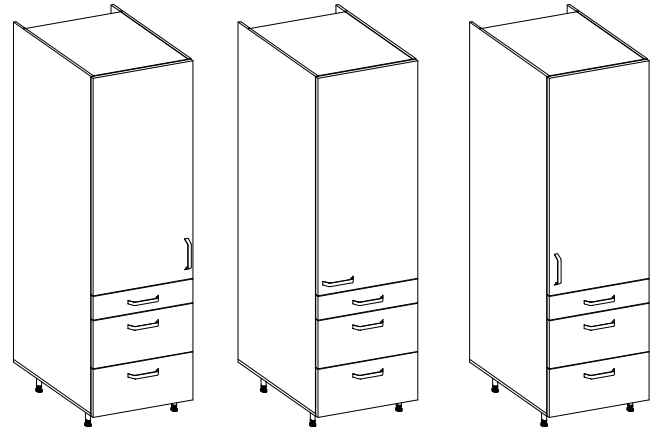
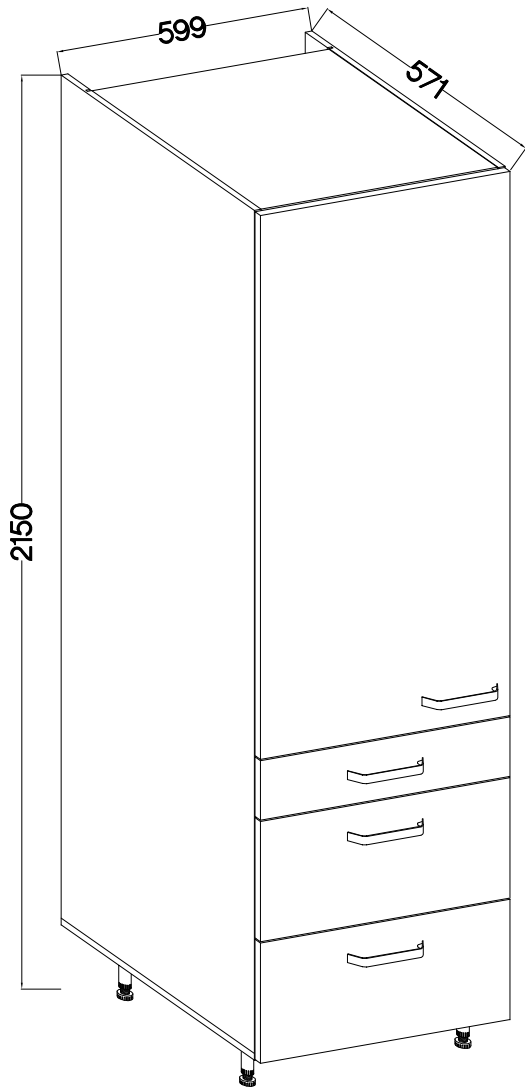
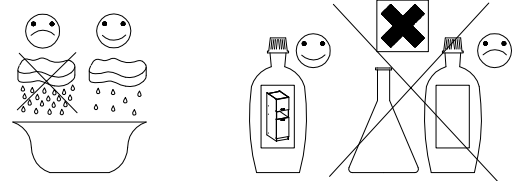
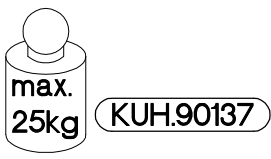


60 DKS-2100 1F 3S

FRONT



Ersatzteil Nummer	Dimension
KUH.71026	1280x596x16
KUH.71024	140x596x16
KUH.71025 x2	283x596x16
KUH.90137 x3	442x492x16
KUH.90140	480x70x16
KUH.90142 x2	480x148x16

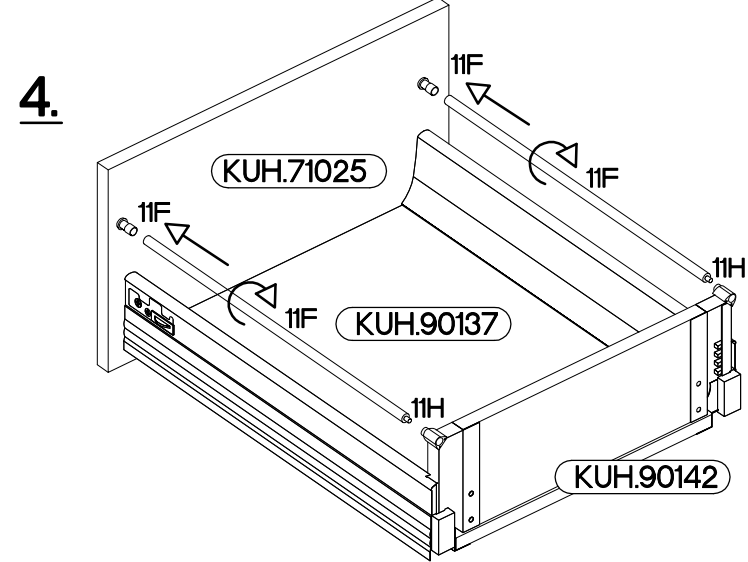
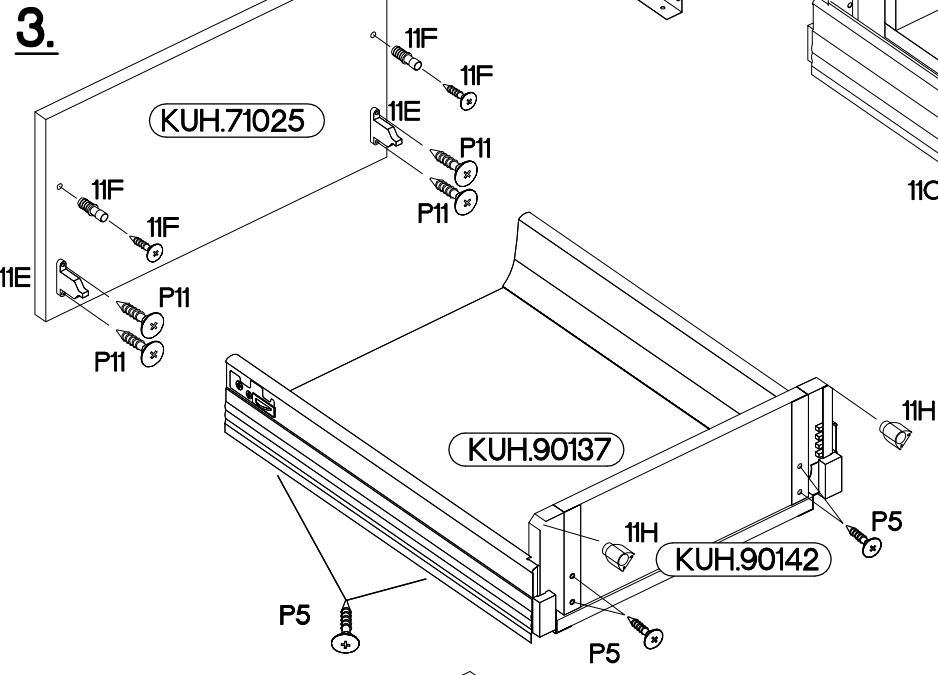
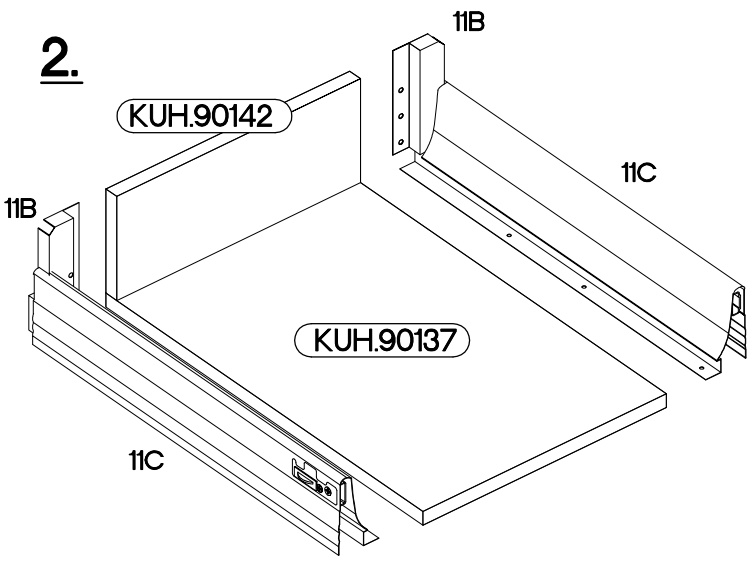
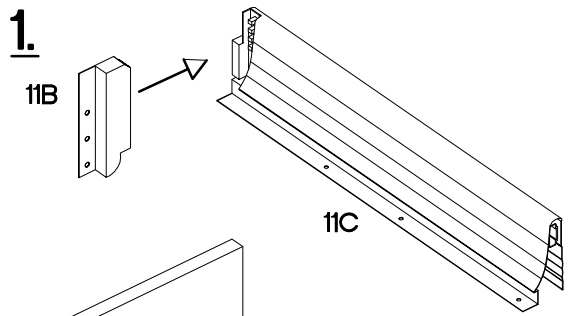


L=160mm	M4x22mm												
										3	3	2	
4	8	1	6	4	6	4	+6.3x13mm	+4.0x16mm	+3.5x13mm	12	12	24	12
							M3	P1	P5				P11

ISM-KUH-01855

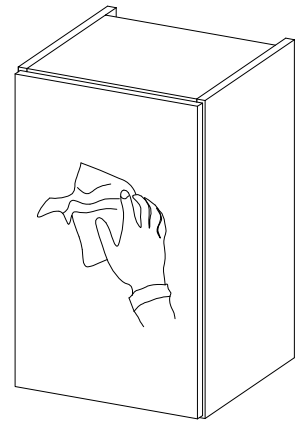
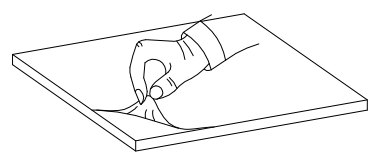
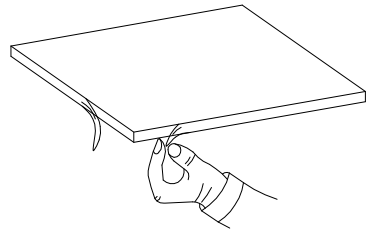
1

11B	11C	11E	11F	11H	P11	P5	11G
2	2	4	4	4	8	16	4

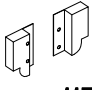
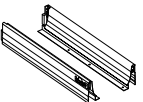
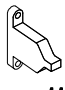


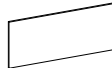


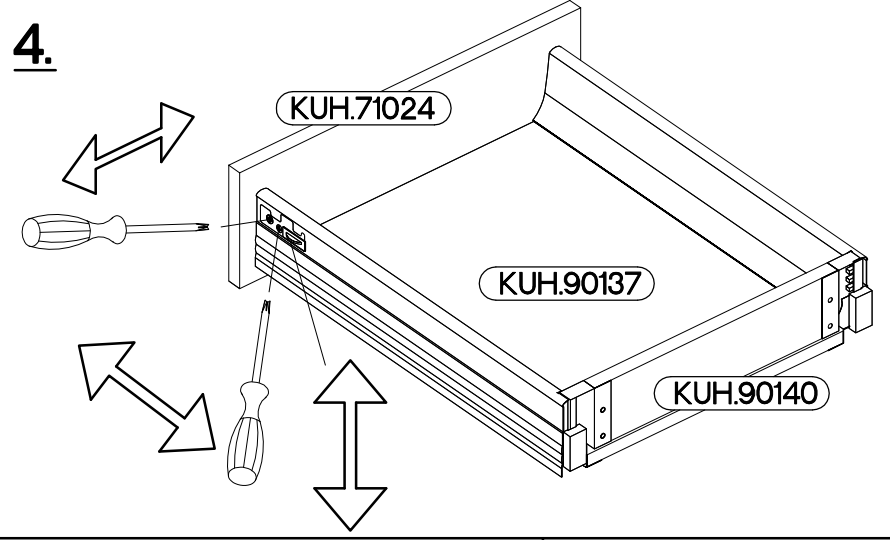
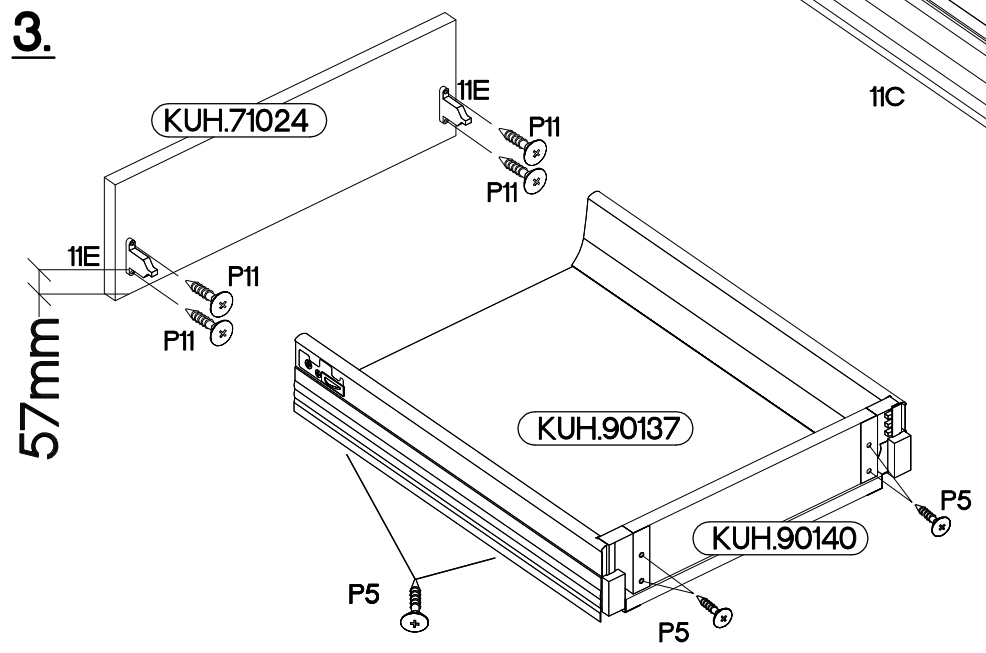
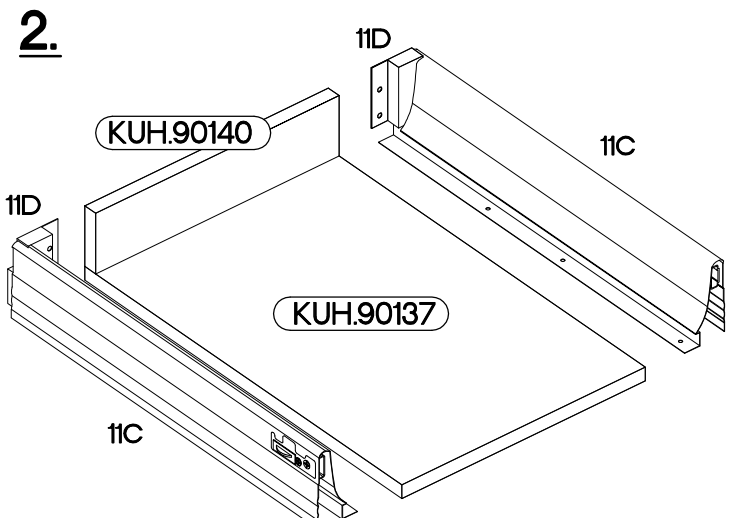
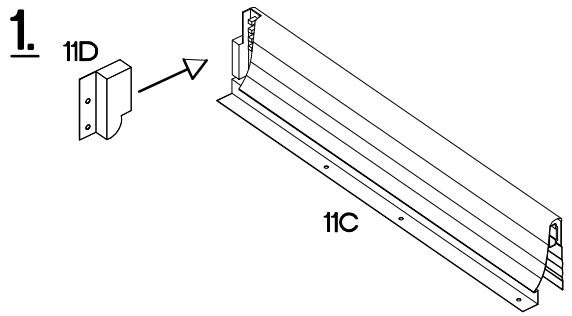
x2

VARIANT HIGH GLOSS

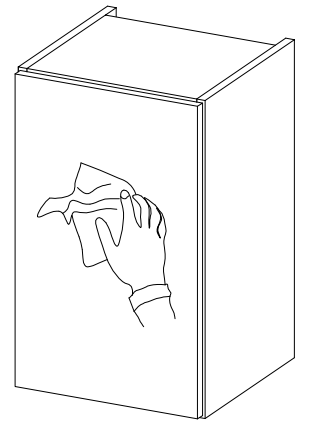
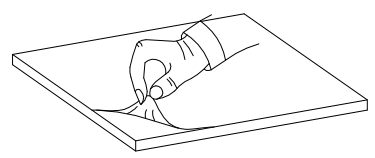
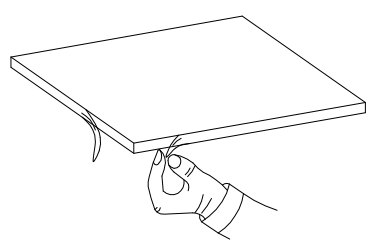


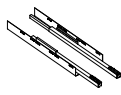


2

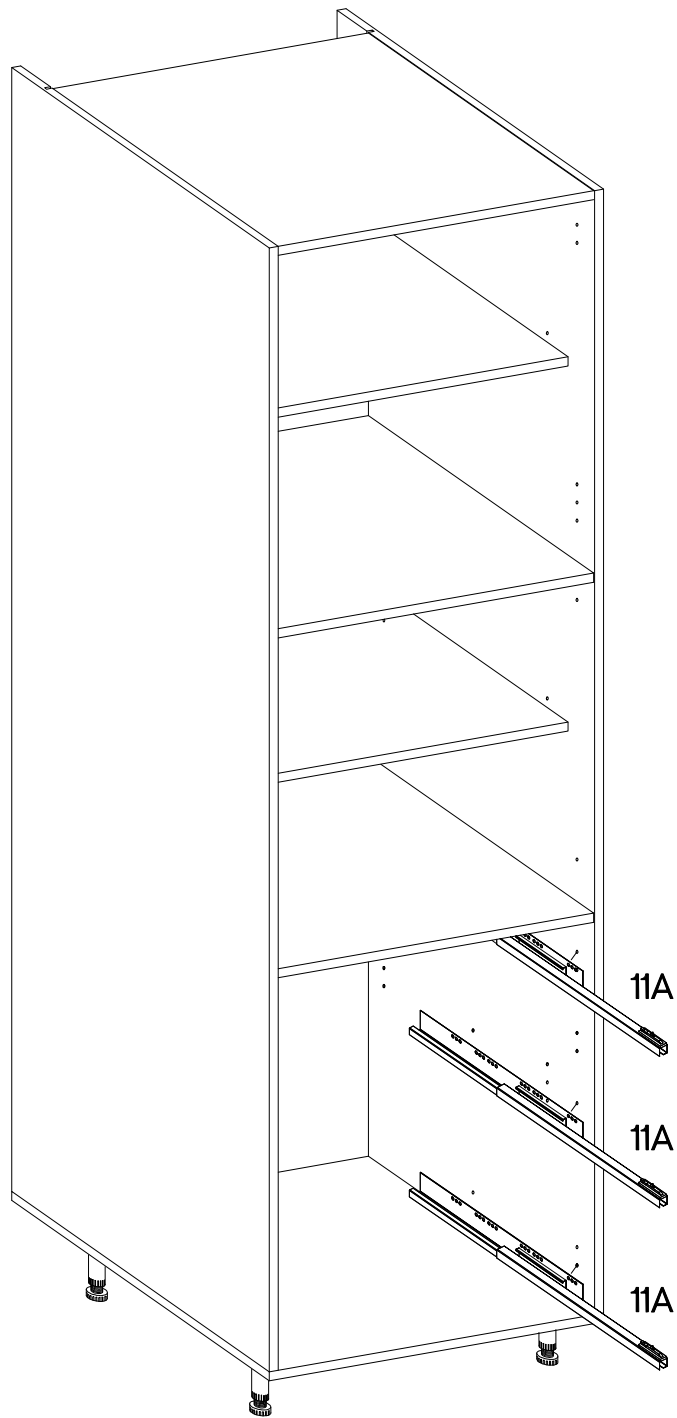
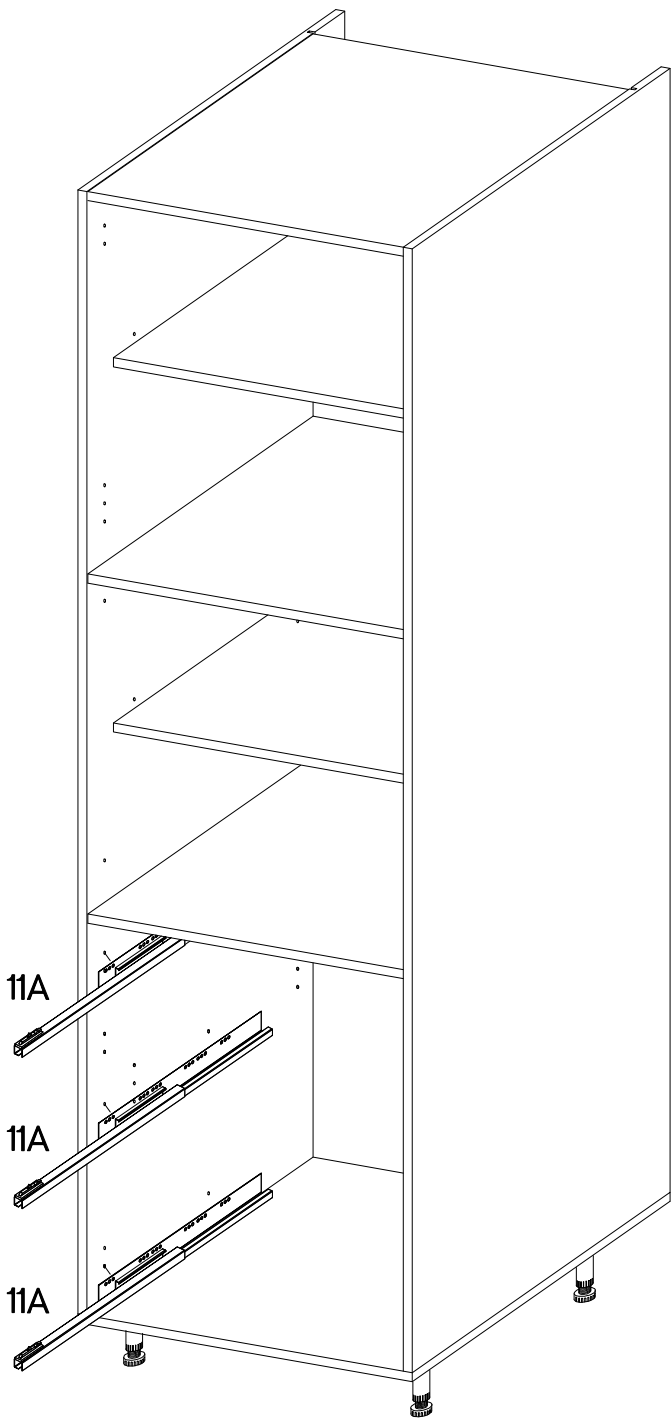
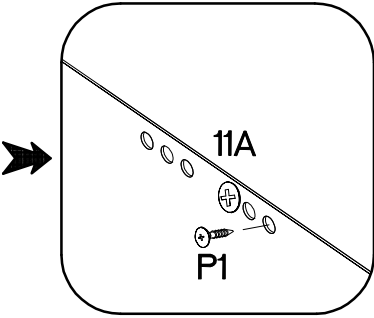
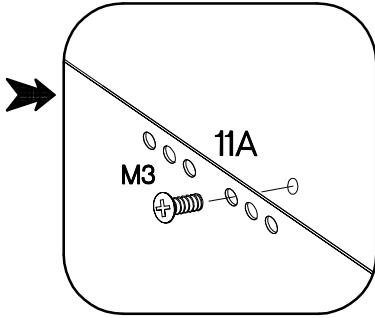
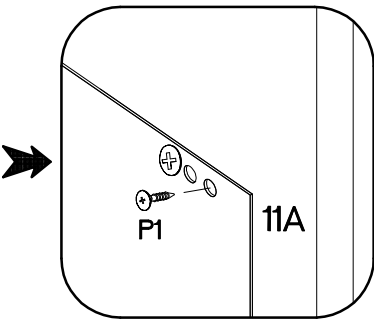
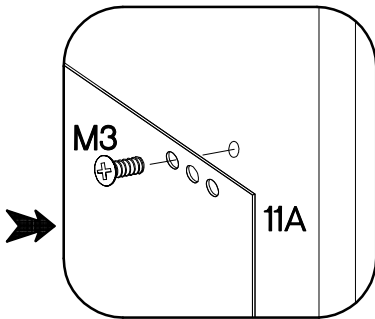
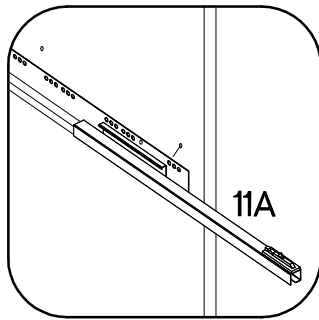
					
11D	11C	11E	P11	P5	11G
1	1	2	4	8	2



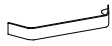

VARIANT HIGH GLOSS

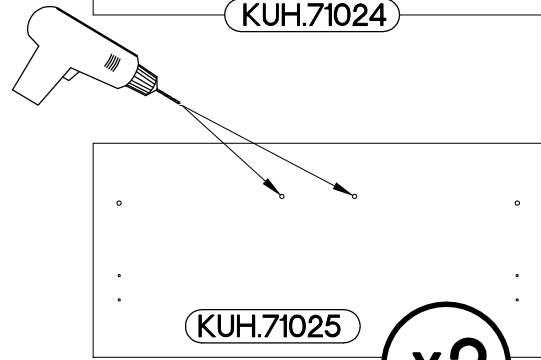
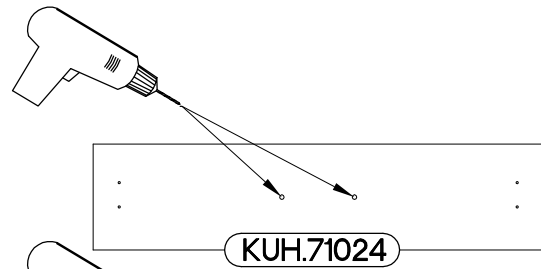


		
11A	M3	P1
3	12	12

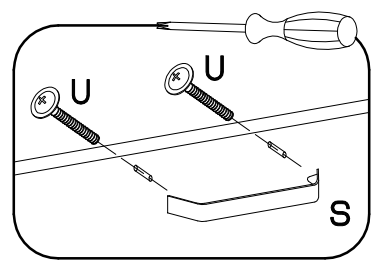
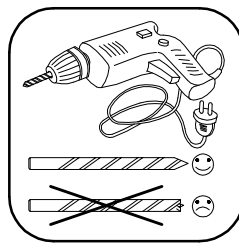
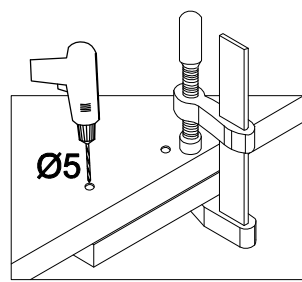
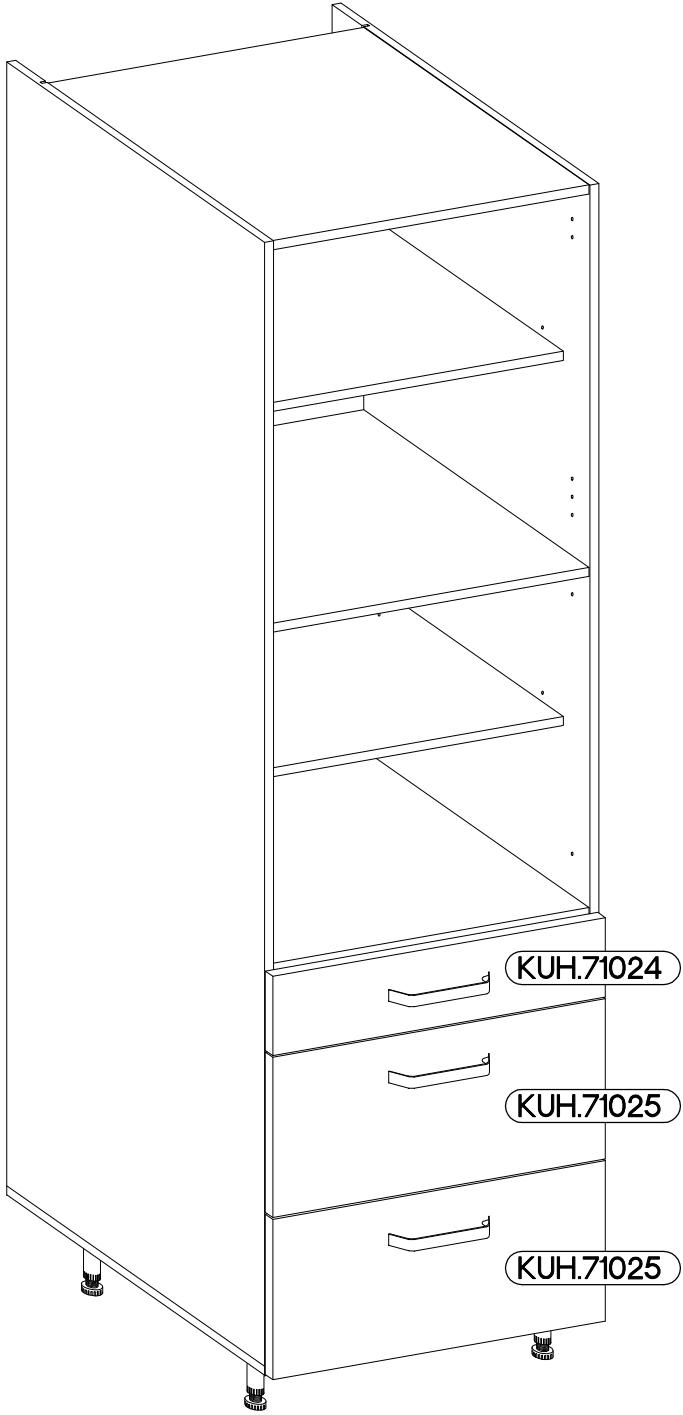


4

L=160mm	M4x22mm
	
S	U
3	6



x2

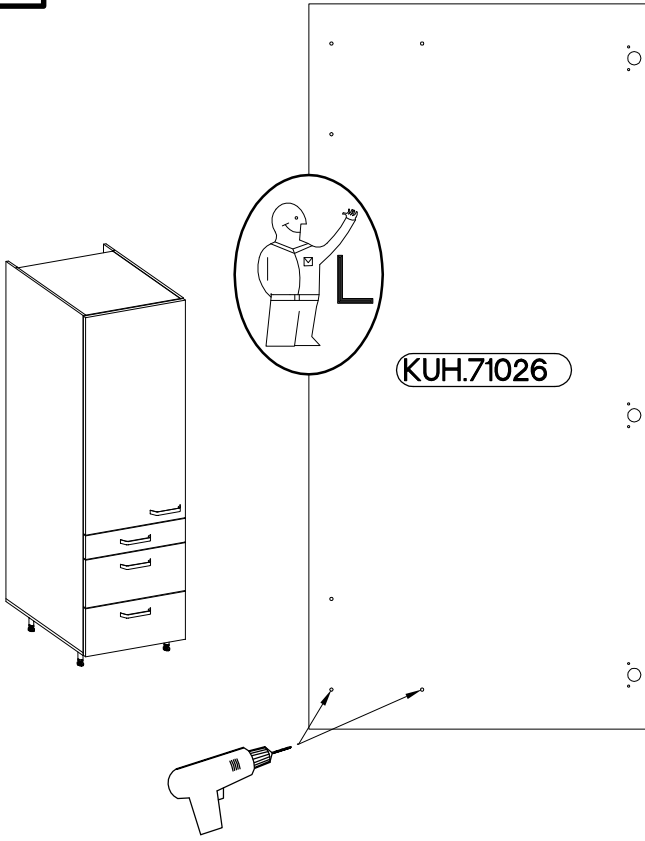


KUH.71024

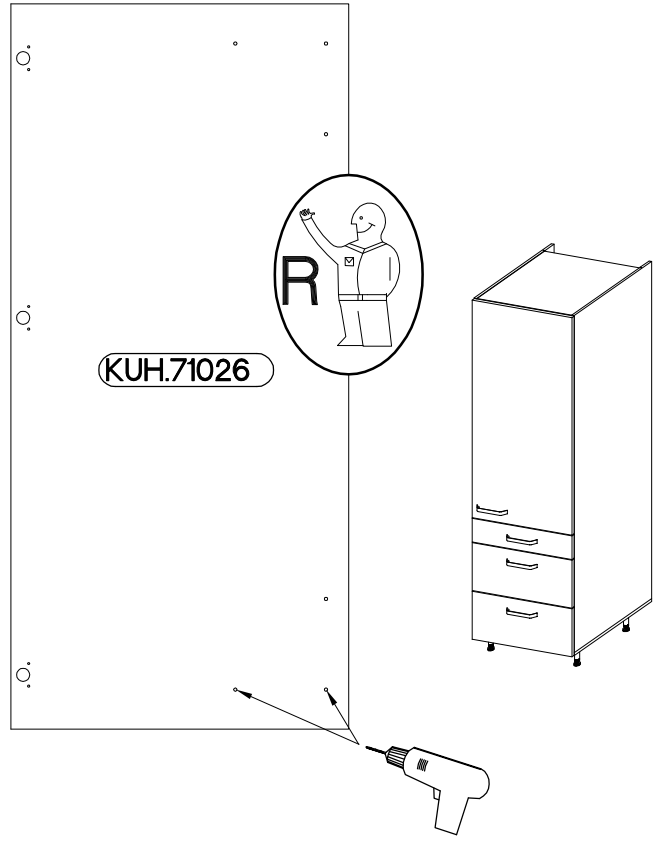
KUH.71025

KUH.71025

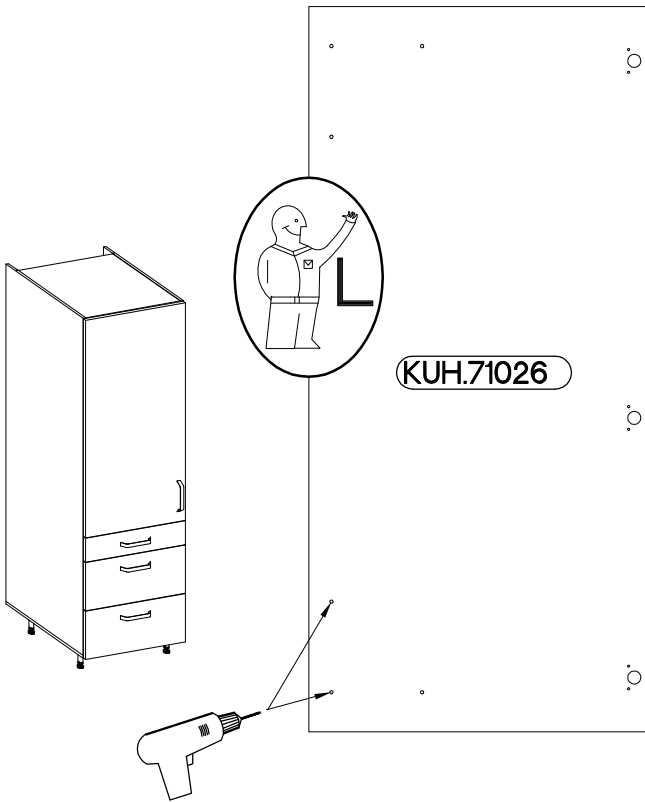
LEFT



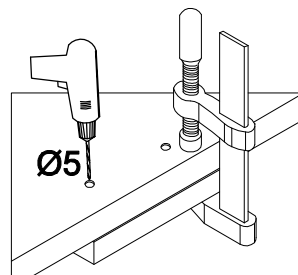
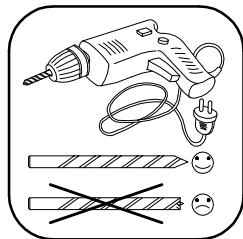
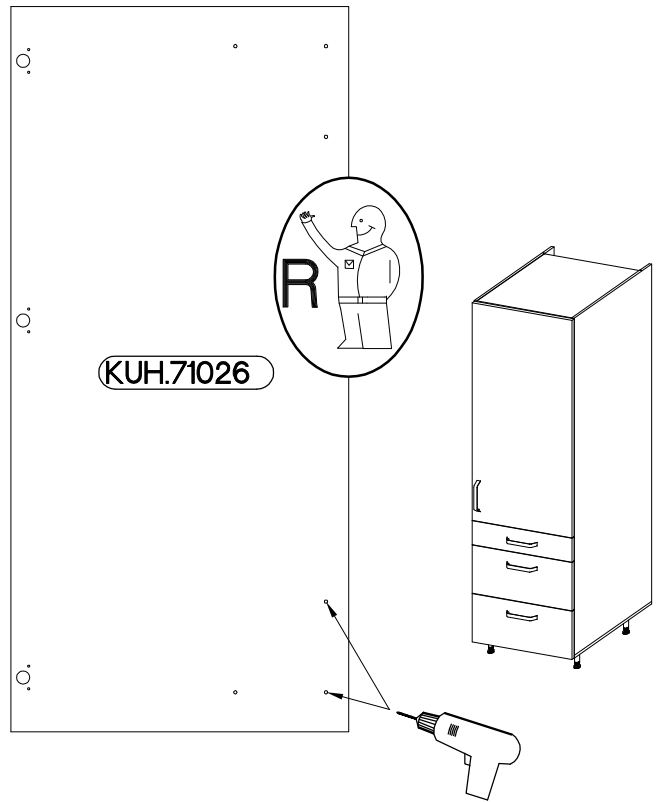
RIGHT



LEFT

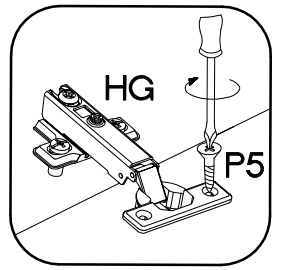
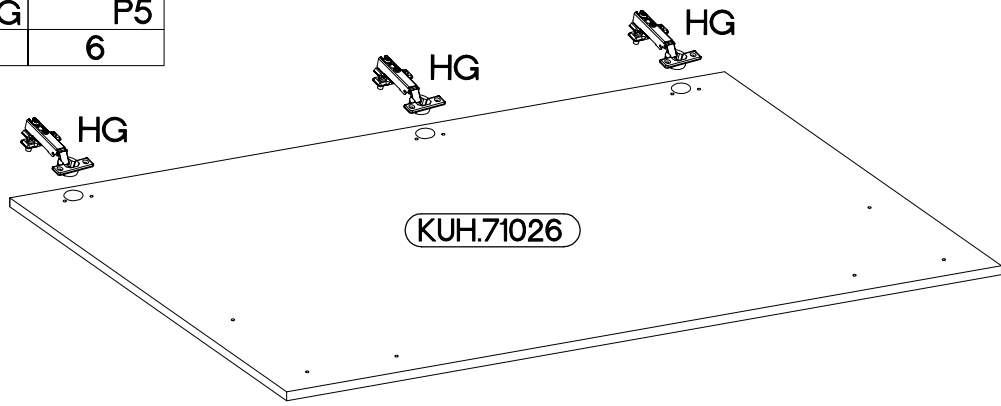


RIGHT



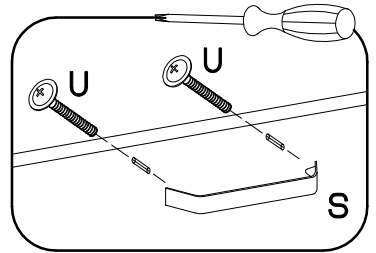
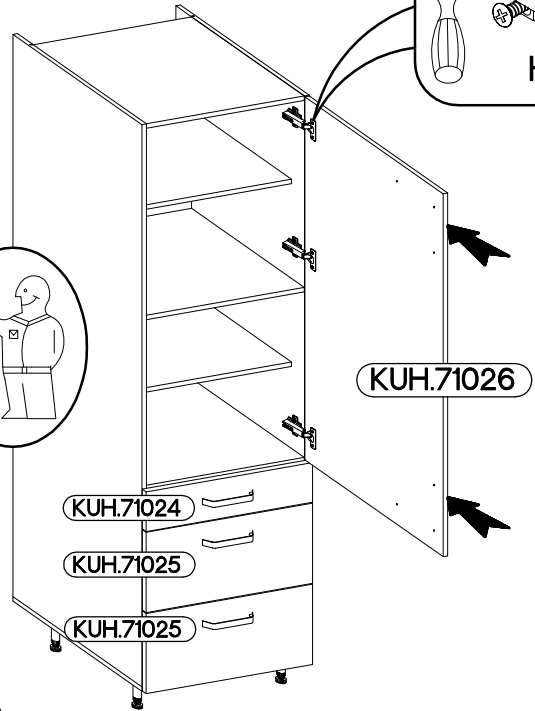
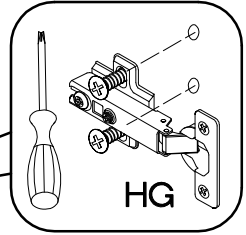
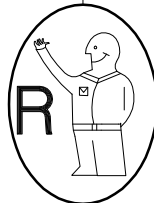
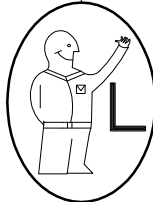
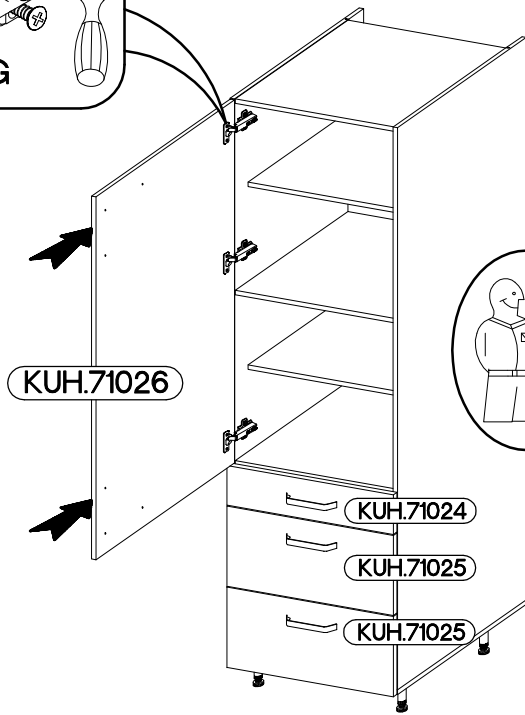
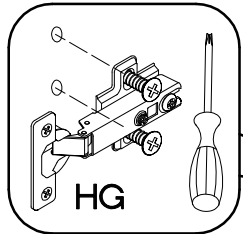
6

±35/0mm	±3.5x13mm
[CD] HG	P5
3	6



7

L=160mm	M4x22mm
S	U
1	2



VARIANT HIGH GLOSS

