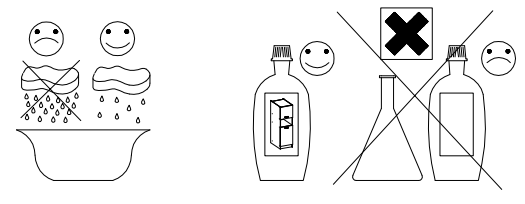
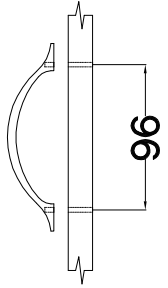
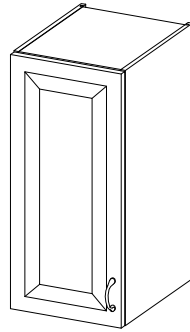
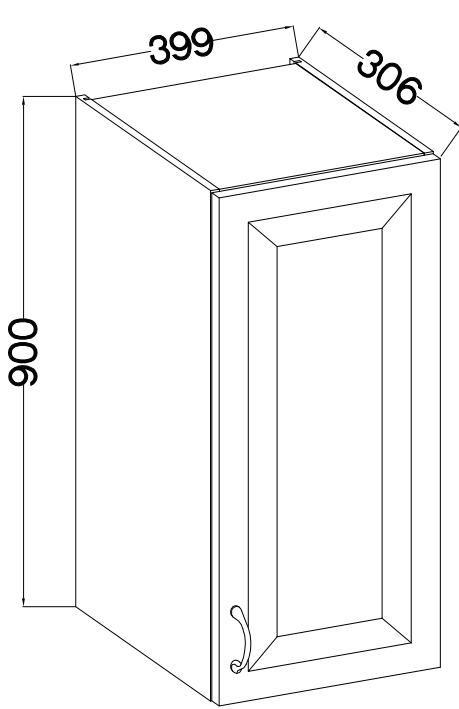


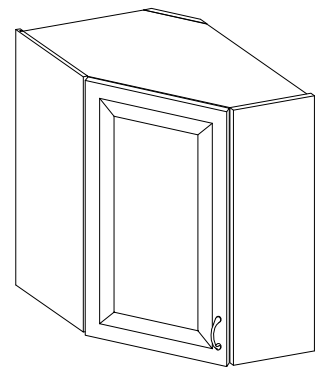
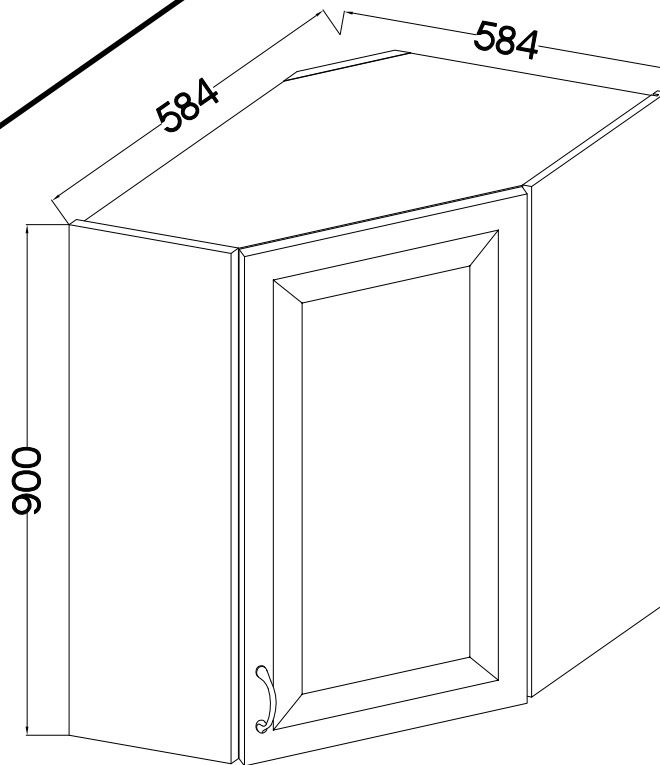
FRONT



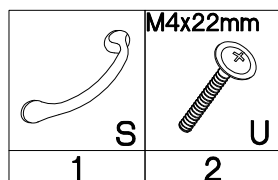
40 G-90 1F



58x58 GN-90 1F



KUH.70770



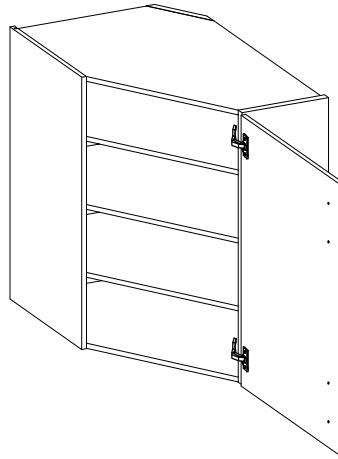
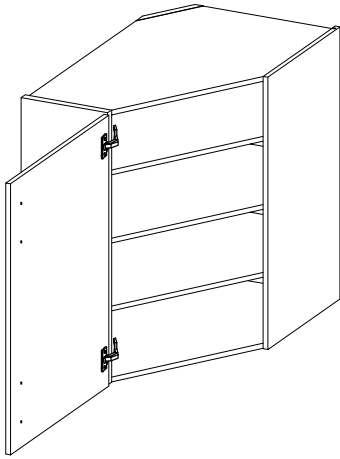
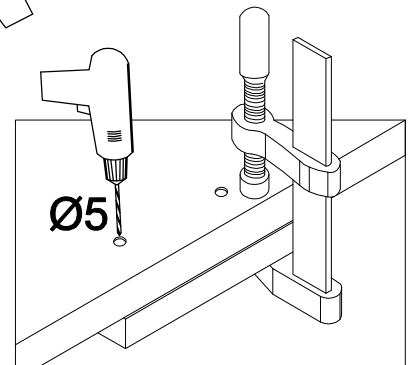
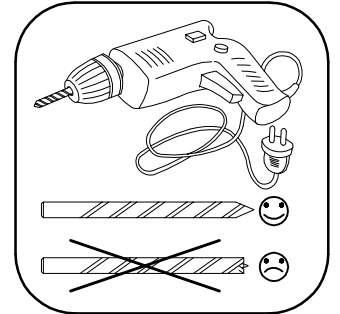
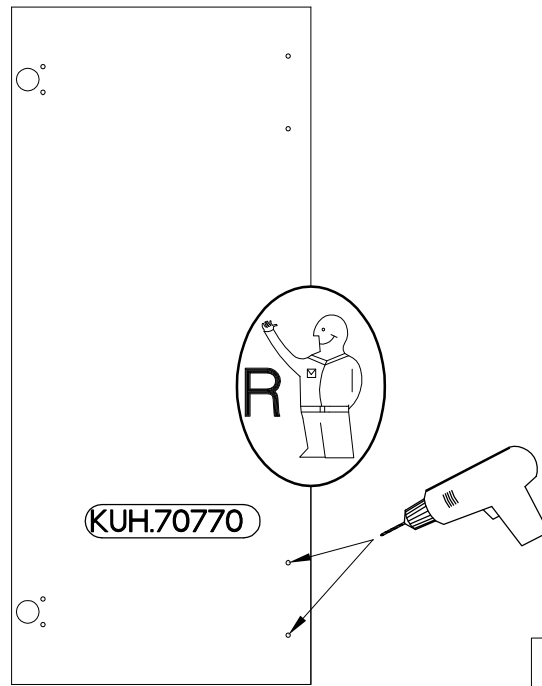
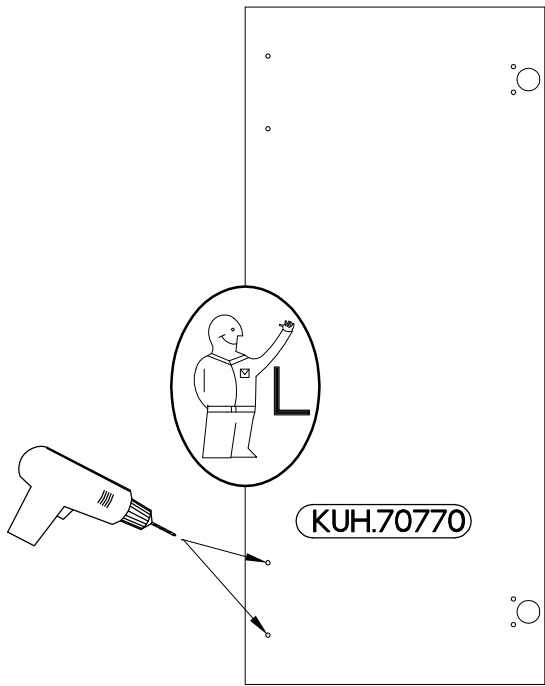
ISM-KUH-01199

# 4


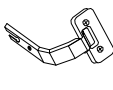

# 58x58 GN-90 1F

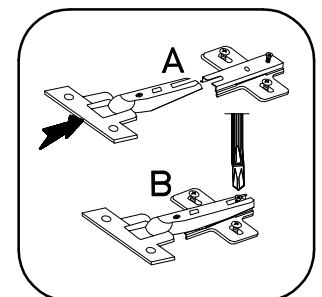
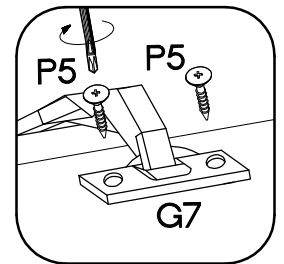
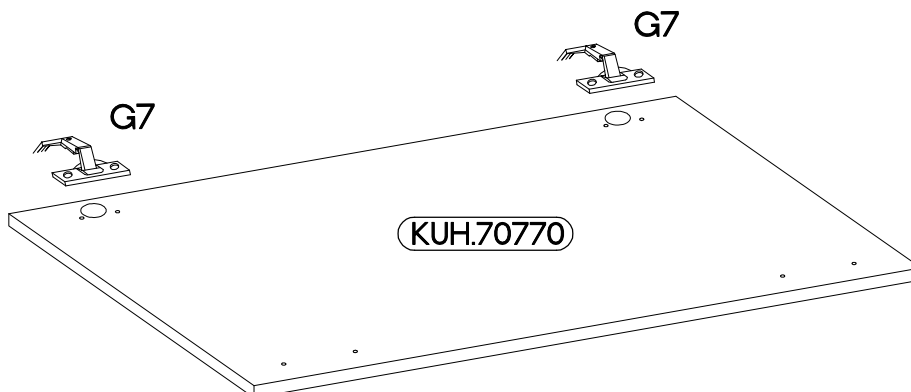
## LEFT

## RIGHT



# 5

		
<b>H</b>	<b>G7</b>	<b>P5</b>
<b>2</b>	<b>2</b>	<b>4</b>



6

M4x22mm



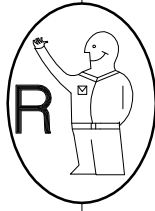
U

2

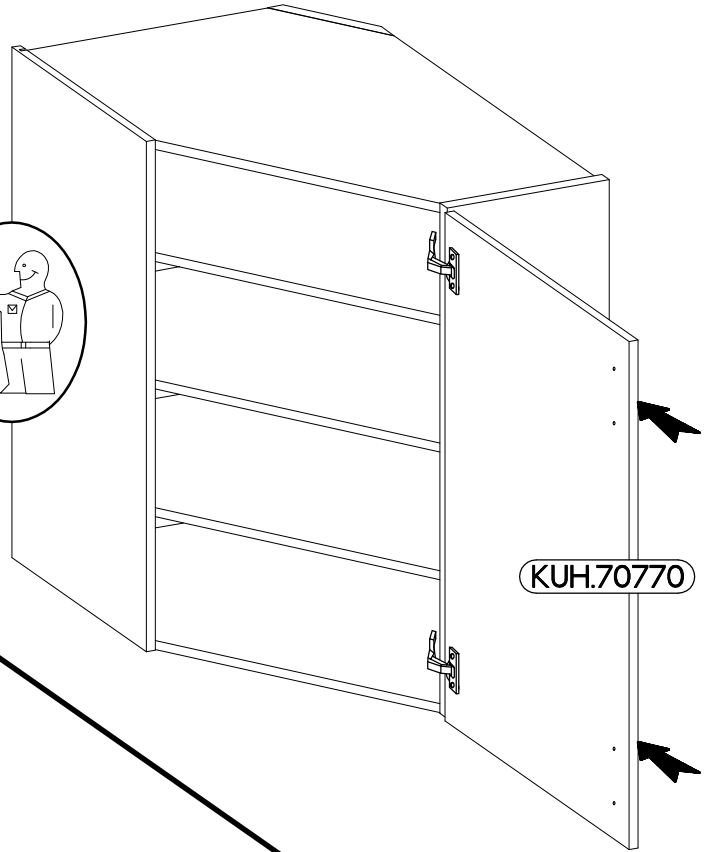


S

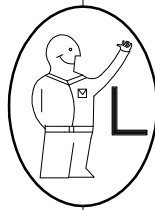
1



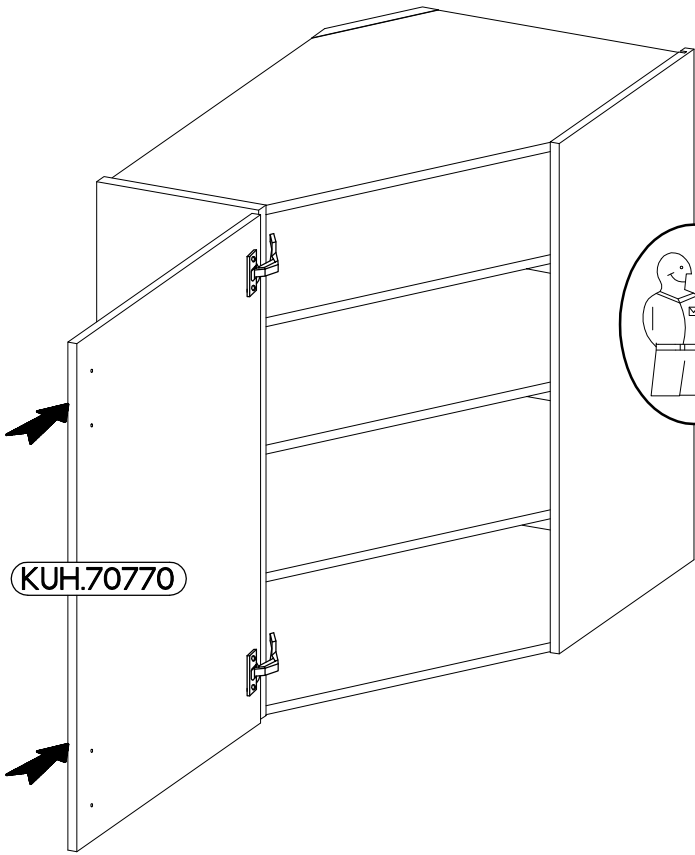
R



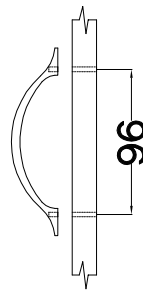
KUH.70770



L



KUH.70770



96

