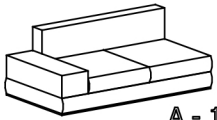
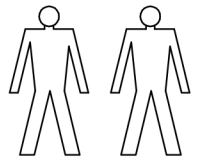
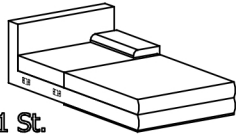


MANILA



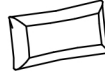
A - 1 St.



B - 1 St.



C - 2 St.



D - 1 St.



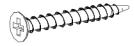
E - 5 St.
13,5cm



F - 2 St.
15cm

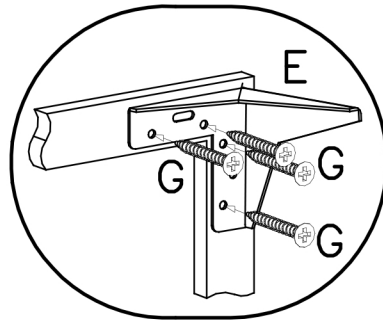
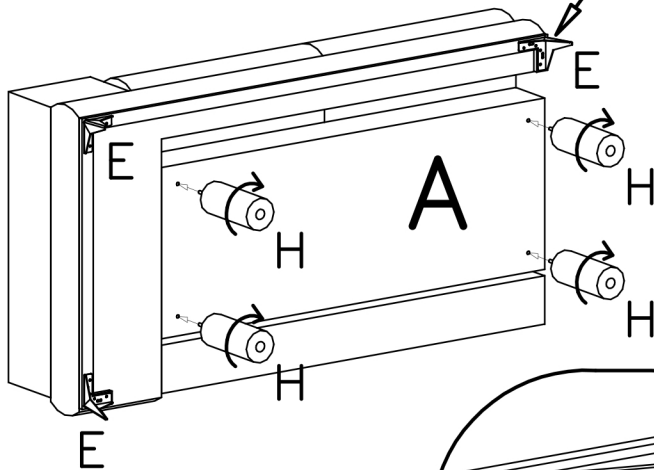
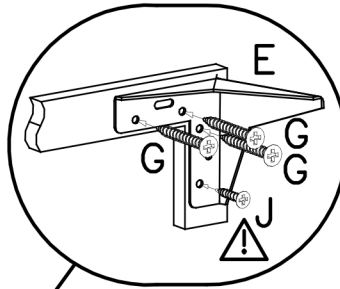


H - 4 St.
13cm

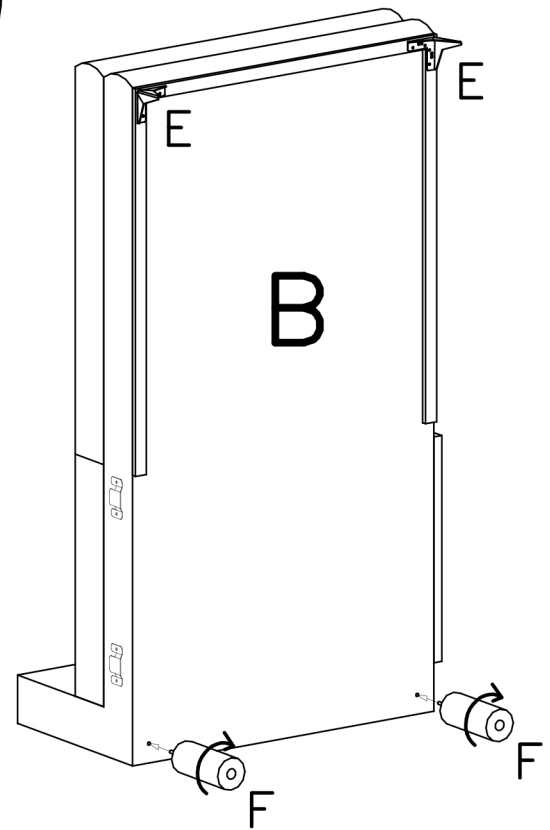


G - 19 St.
5x50

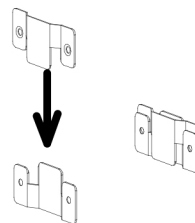
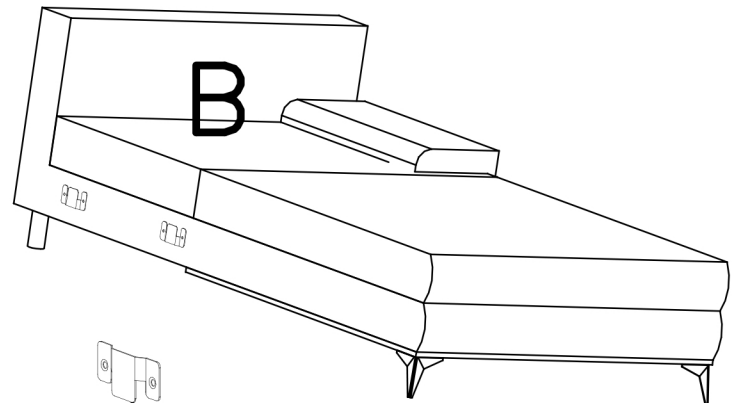
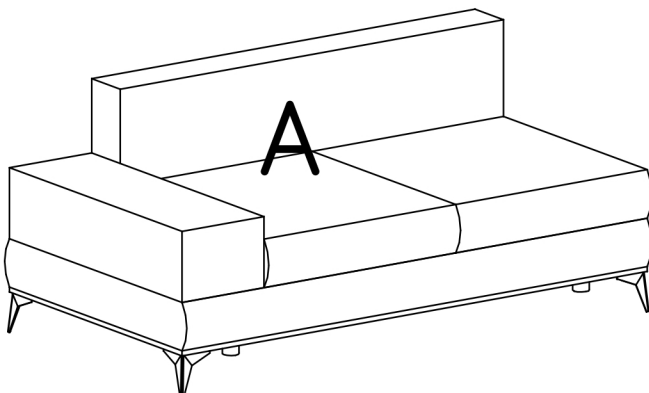
I



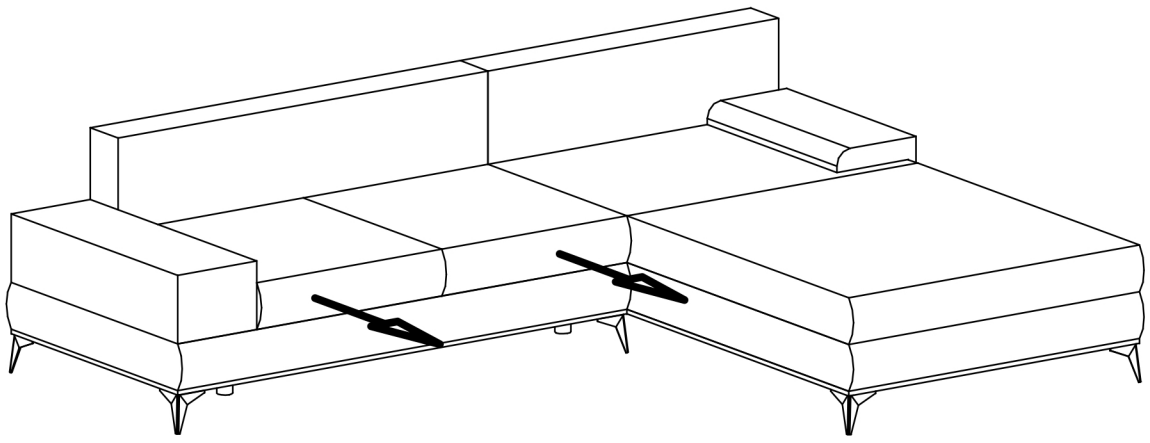
J - 1 St.
5x20



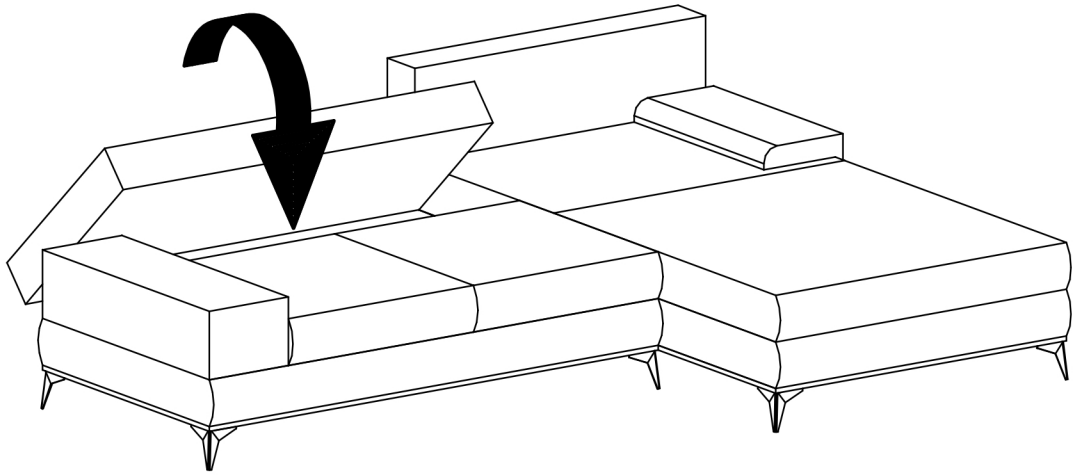
II



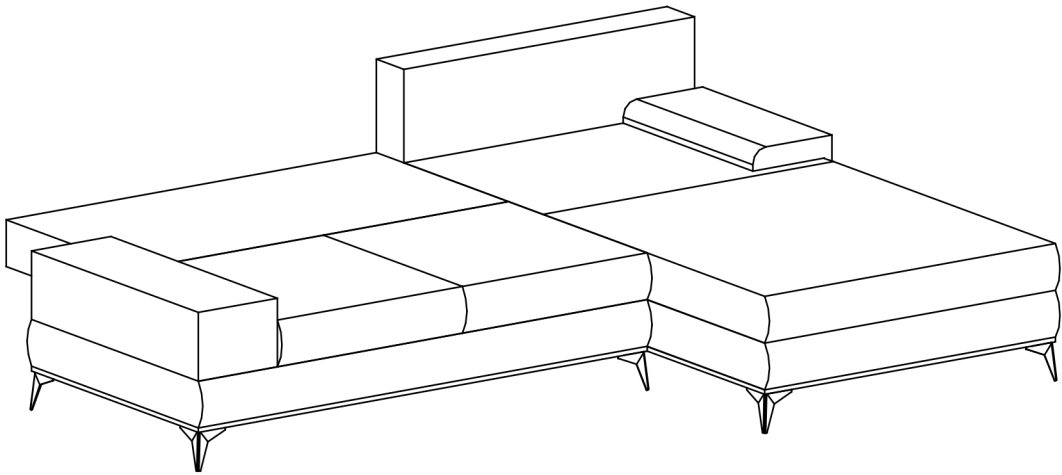
III



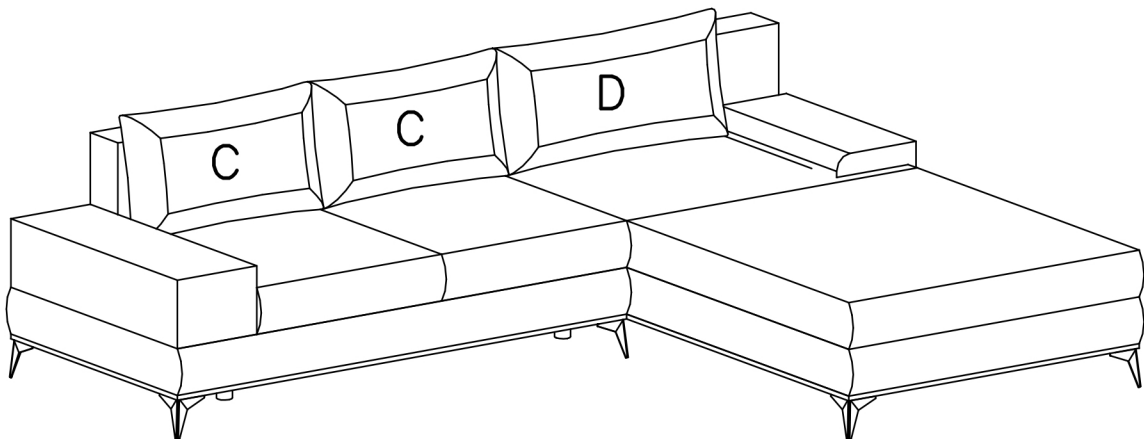
IV



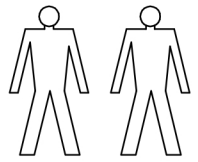
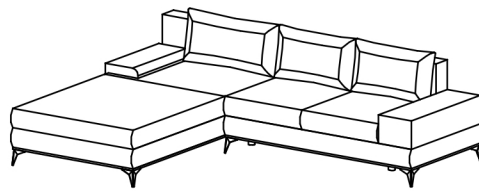
V



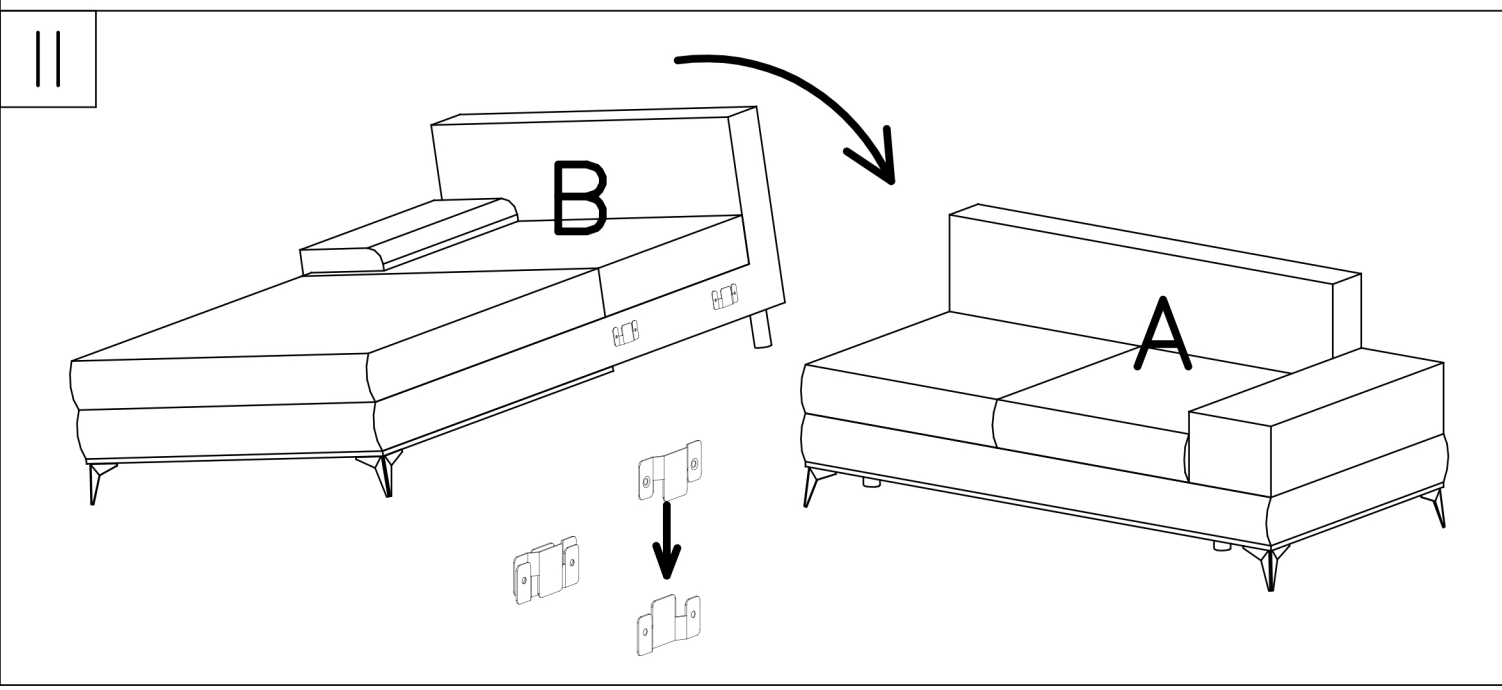
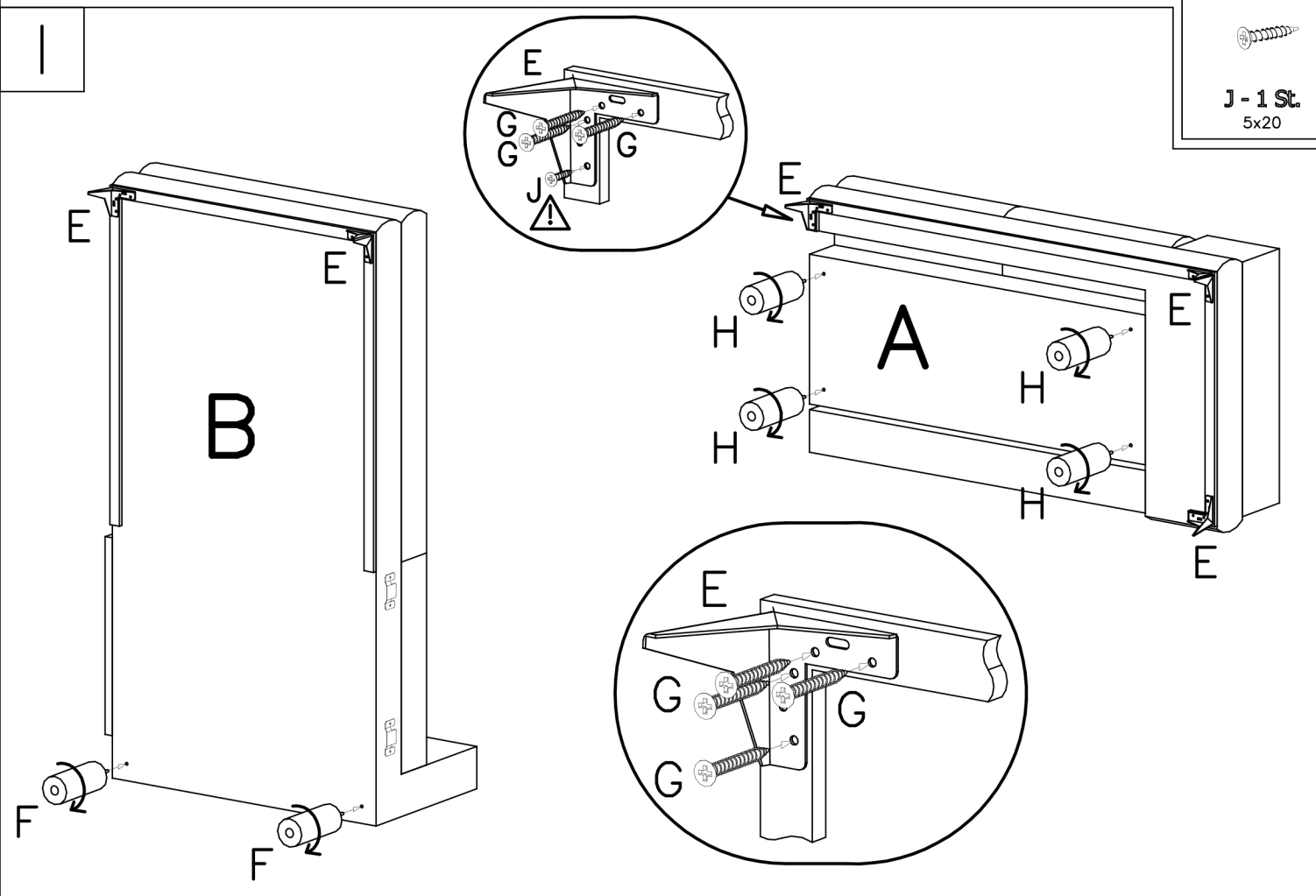
VI



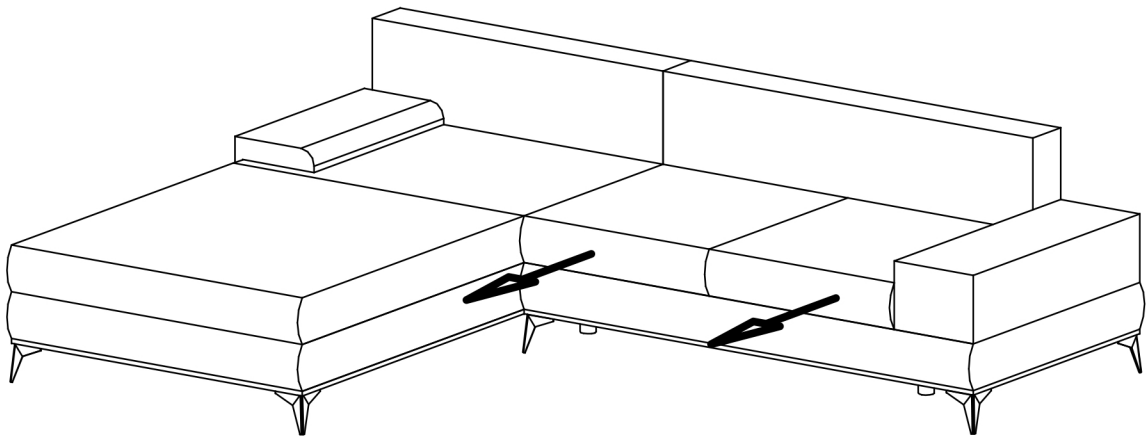
MANILA



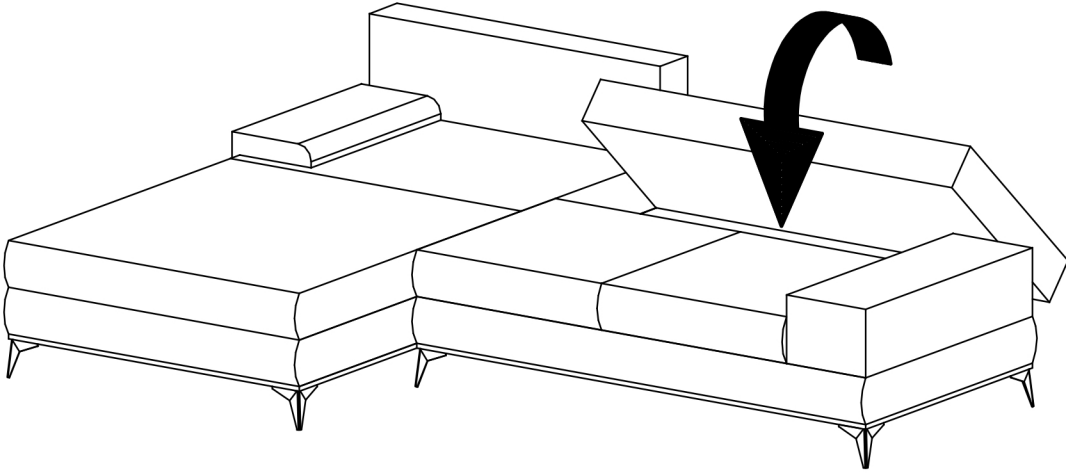
<p>A - 1 St.</p>	<p>B - 1 St.</p>	<p>C - 2 St.</p>	<p>D - 1 St.</p>	<p>E - 5 St. 13,5cm</p>	<p>F - 2 St. 15cm</p>	<p>H - 4 St. 13cm</p>	<p>G - 19 St. 5x50</p>
-------------------------	-------------------------	-------------------------	-------------------------	------------------------------------	----------------------------------	----------------------------------	-----------------------------------



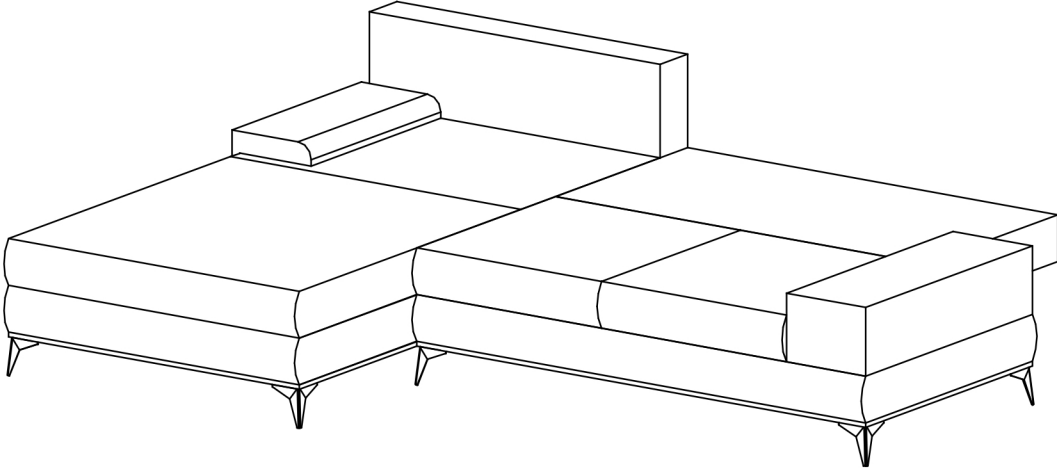
III



IV



V



VI

