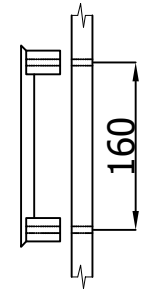
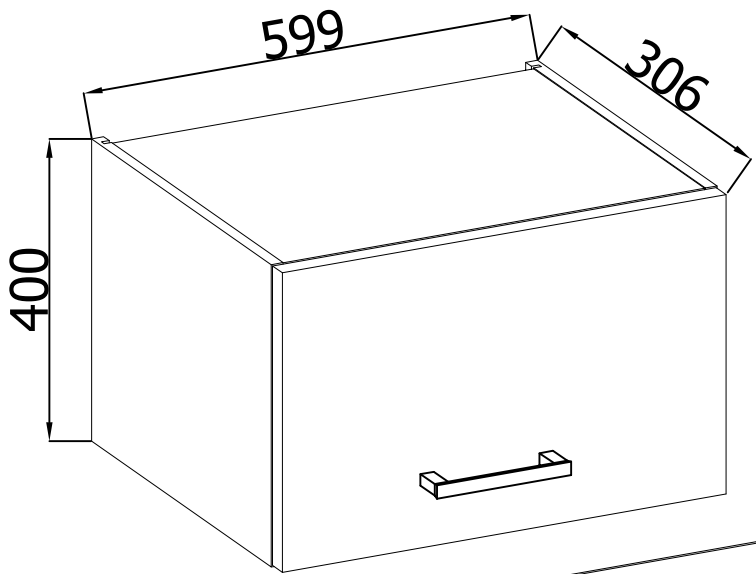
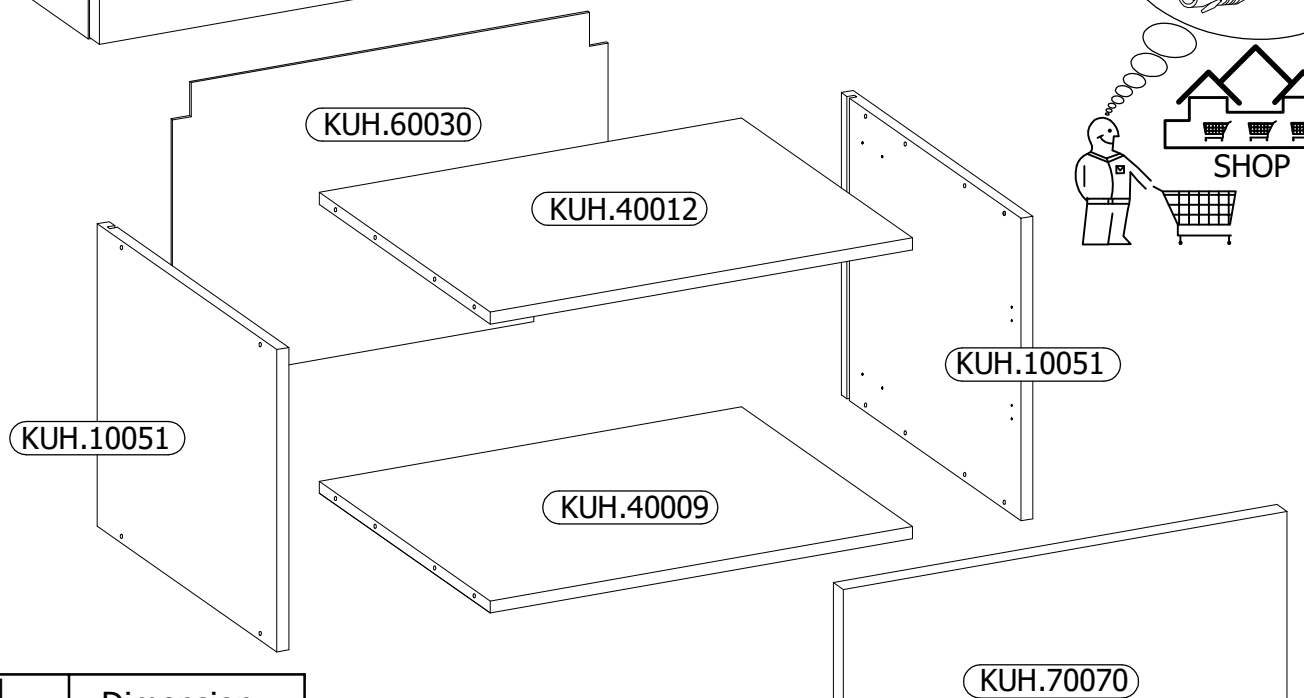
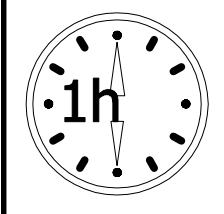


60 OK-40 1K

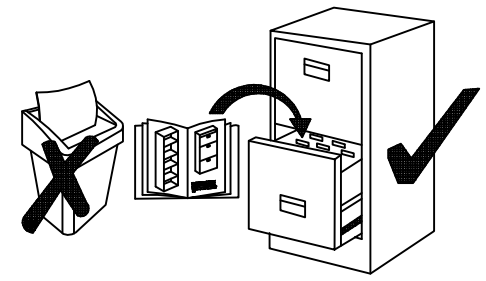


KUH.40009



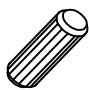
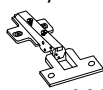


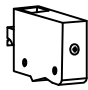
Ersatzteil Nummer	Dimension
KUH.10051 x2	400x290x16
KUH.40009	567x276x16
KUH.40012	567x276x16
KUH.60030	396x585x2,5
KUH.70070	396x596x16

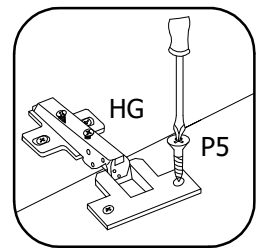
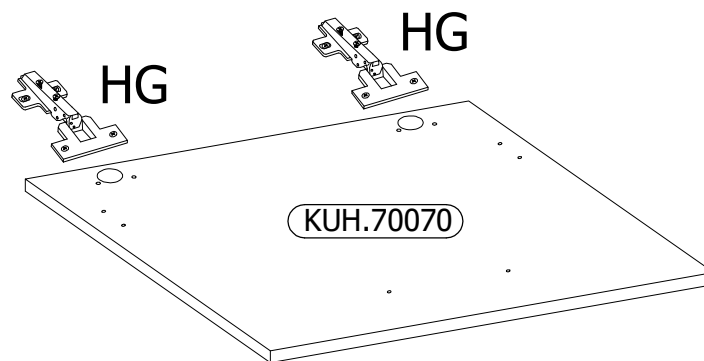
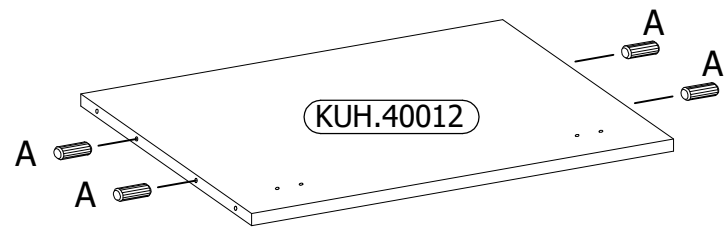
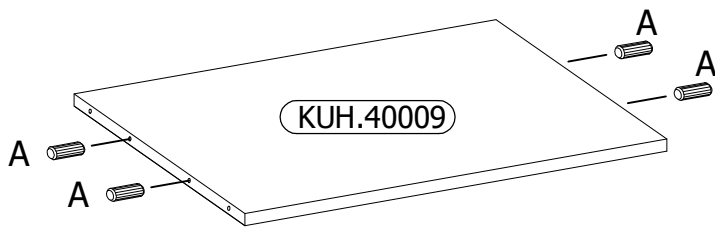
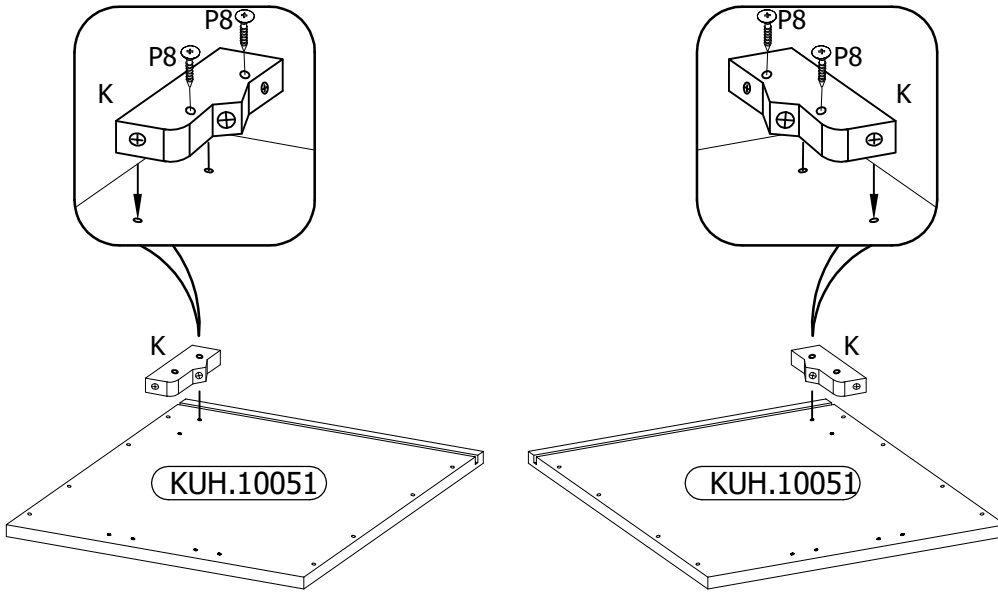
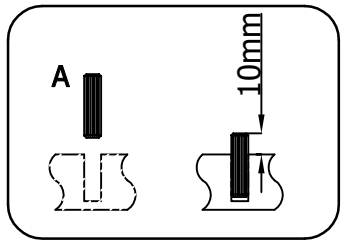
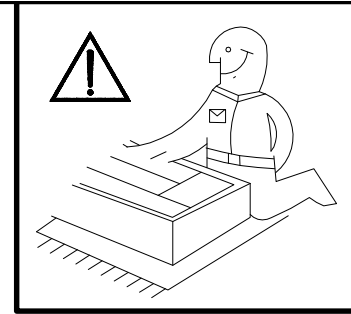
A	B	E1	HG	K	K24
8	8	8	2	2	2
O	P5	P7	P8	R2	S
1	4	8-10	4	2	1




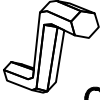

ISM-KUH-01398

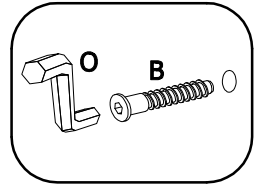
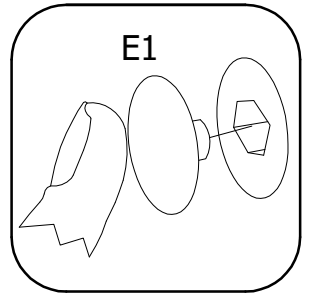
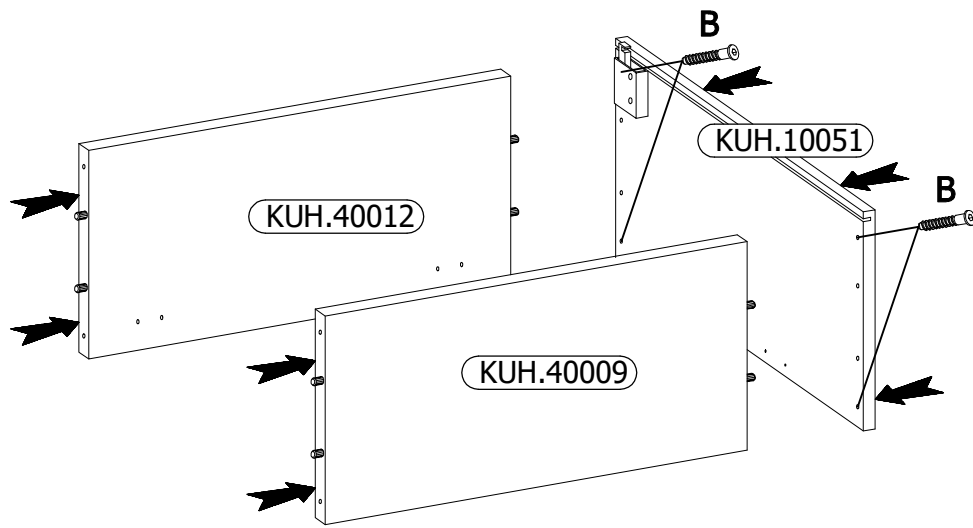
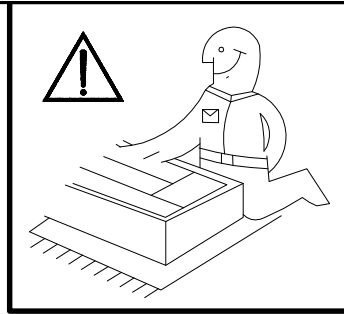
# 1

$\varnothing 8 \times 30 \text{mm}$  A 8	$\varnothing 35 / 0 \text{mm}$  HG 2	$\varnothing 3.5 \times 13 \text{mm}$  P5 4	$\varnothing 4.0 \times 30 \text{mm}$  P8 4	 K 2
---	---	--	--	--






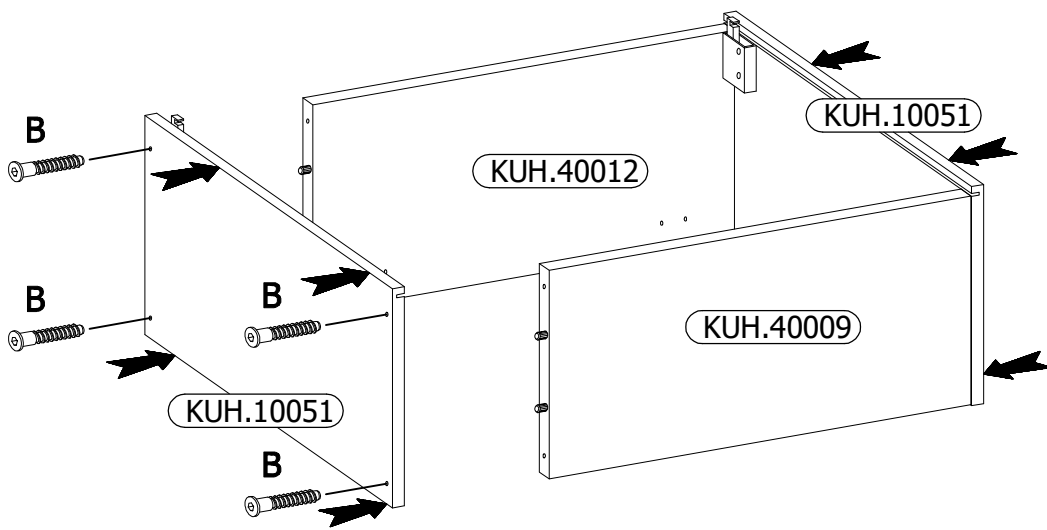
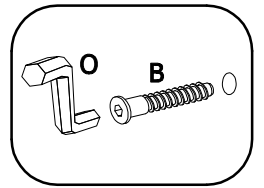
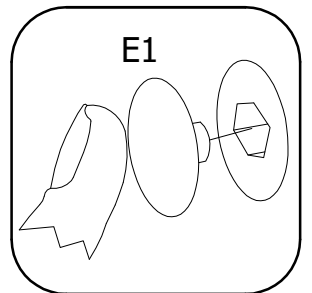
# 2

6,4 x 50mm		
		
<b>B</b>	<b>O</b>	<b>E1</b>
4	1	4

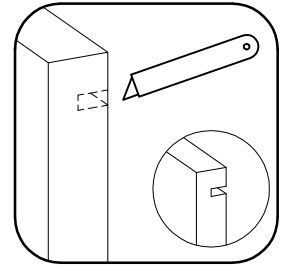
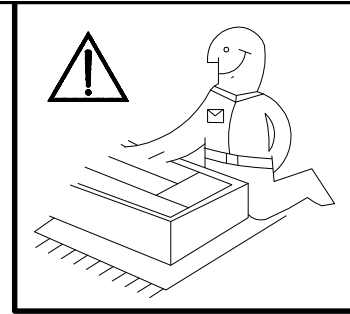
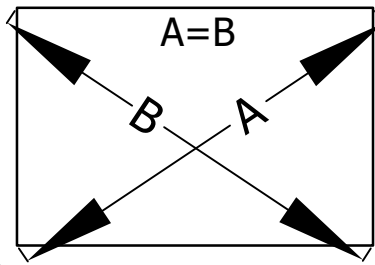
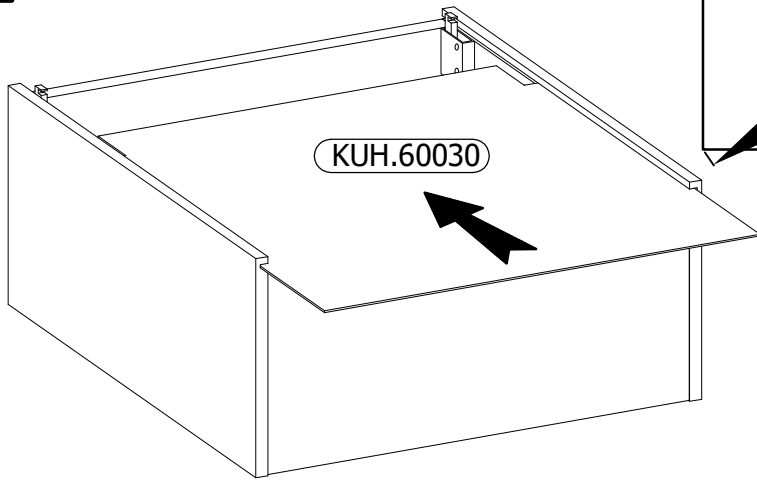


# 3

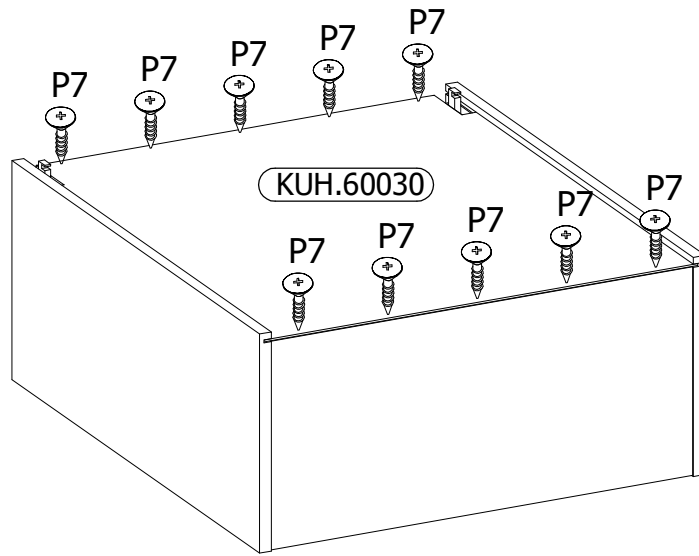
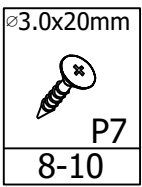
6,4 x 50mm		
		
<b>B</b>	<b>O</b>	<b>E1</b>
4	1	4



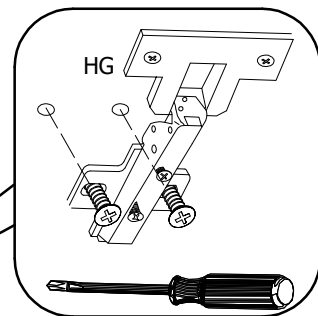
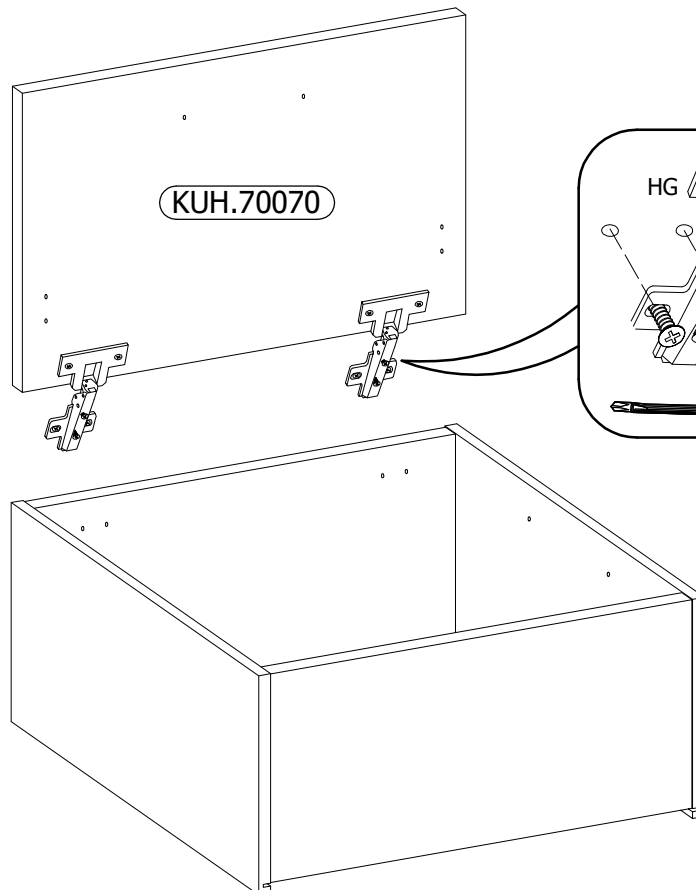
4



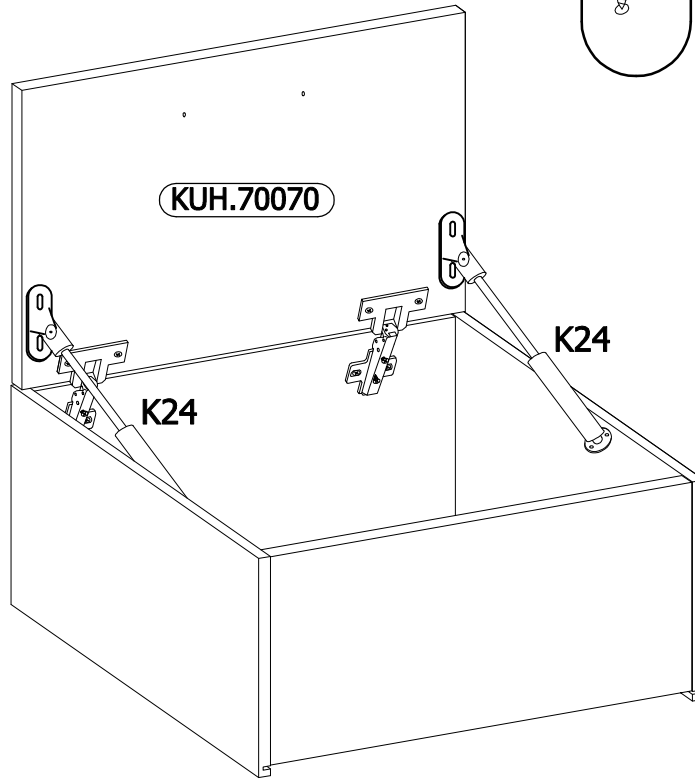
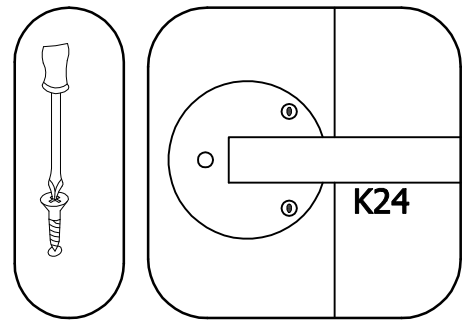
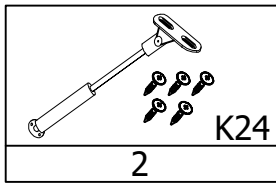
5



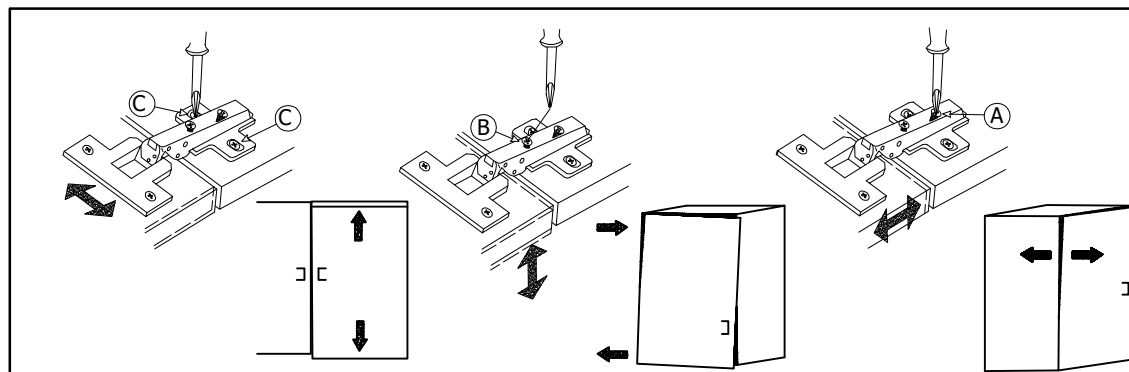
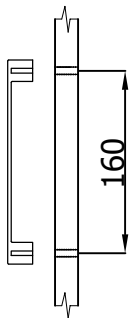
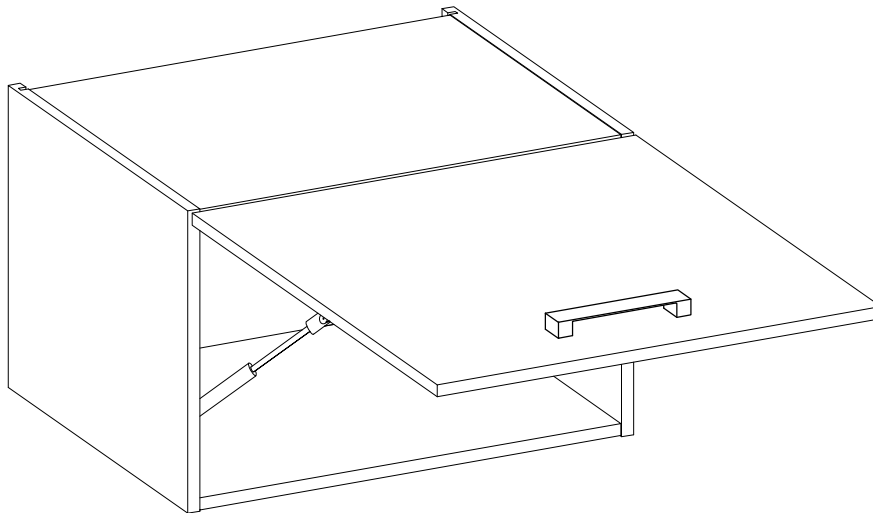
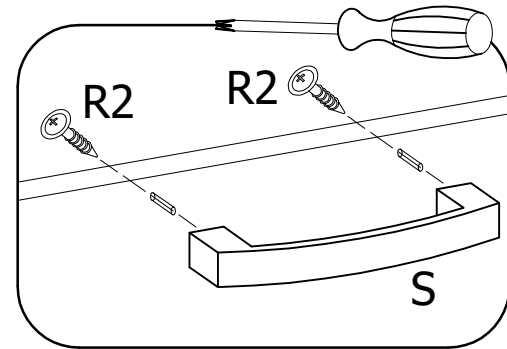
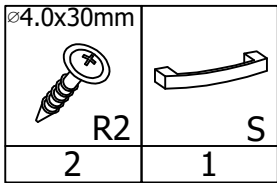
6



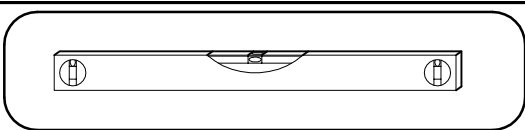
7



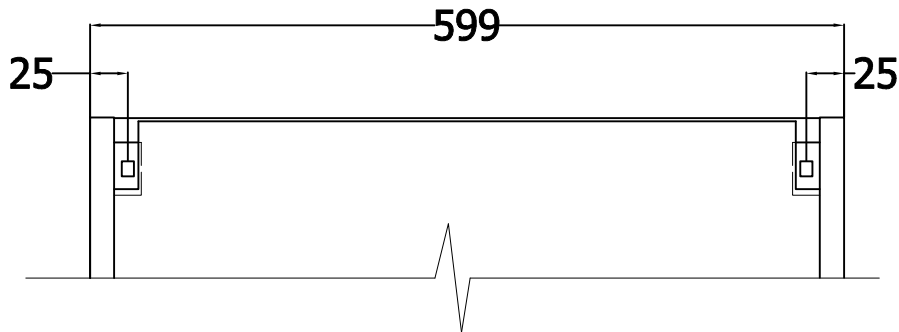
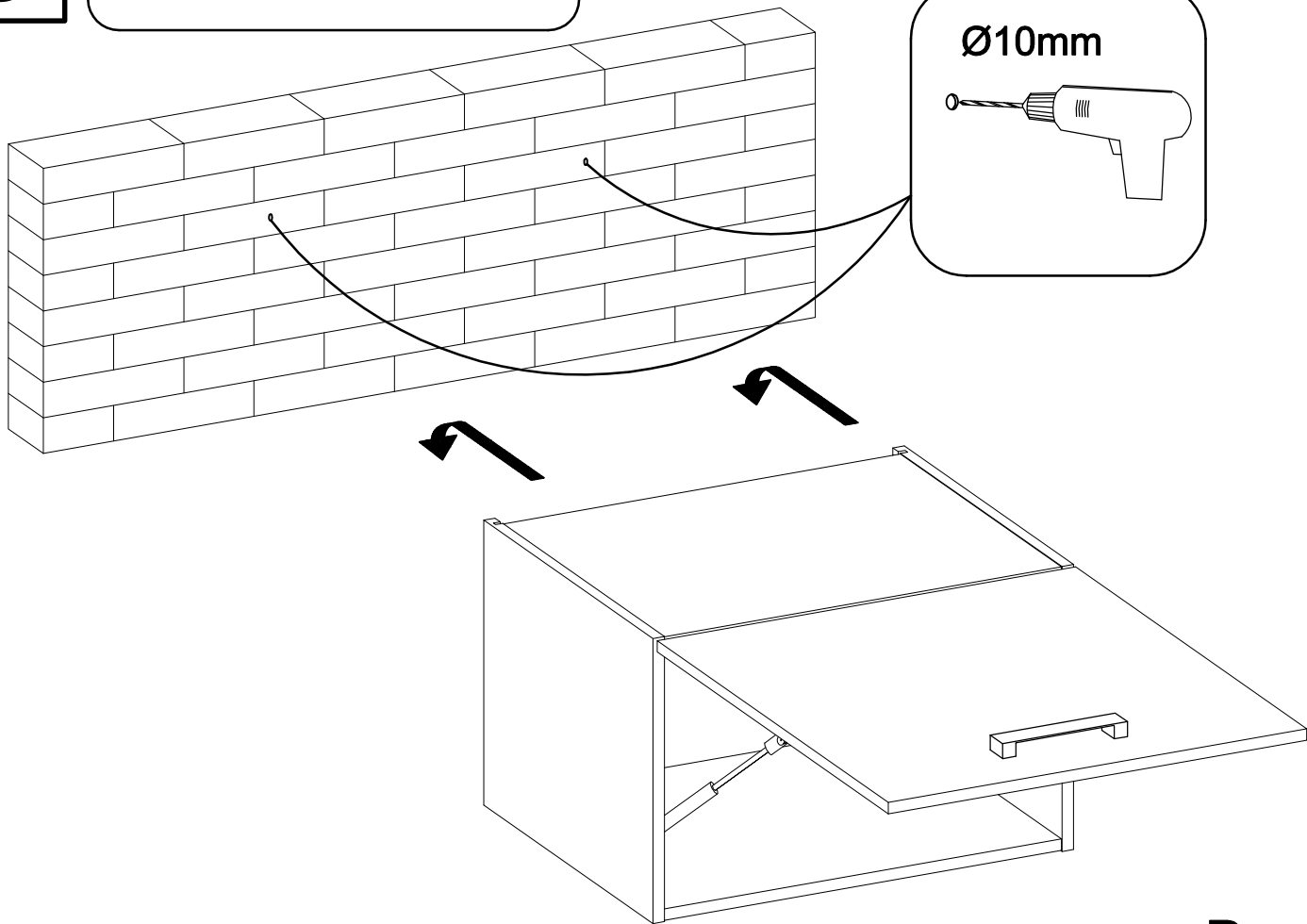
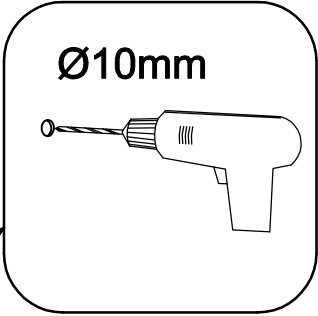
8



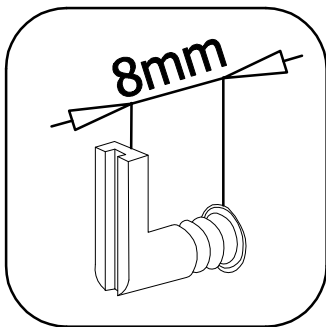
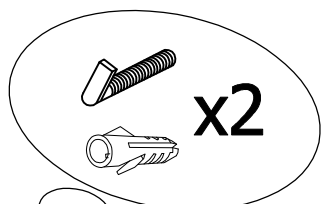
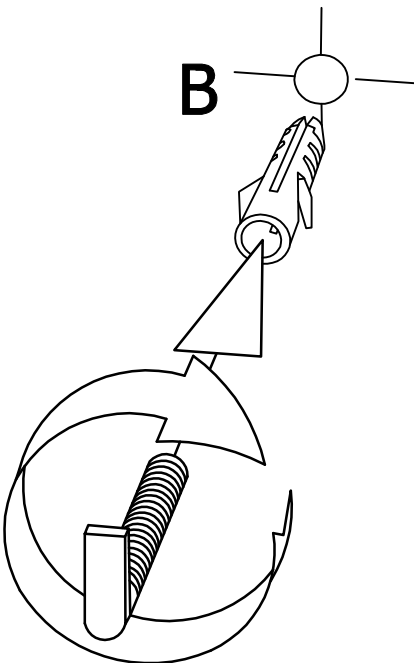
9



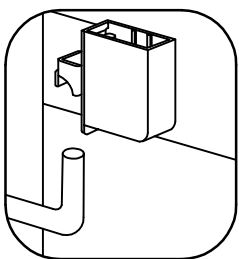
A



B



C



D

