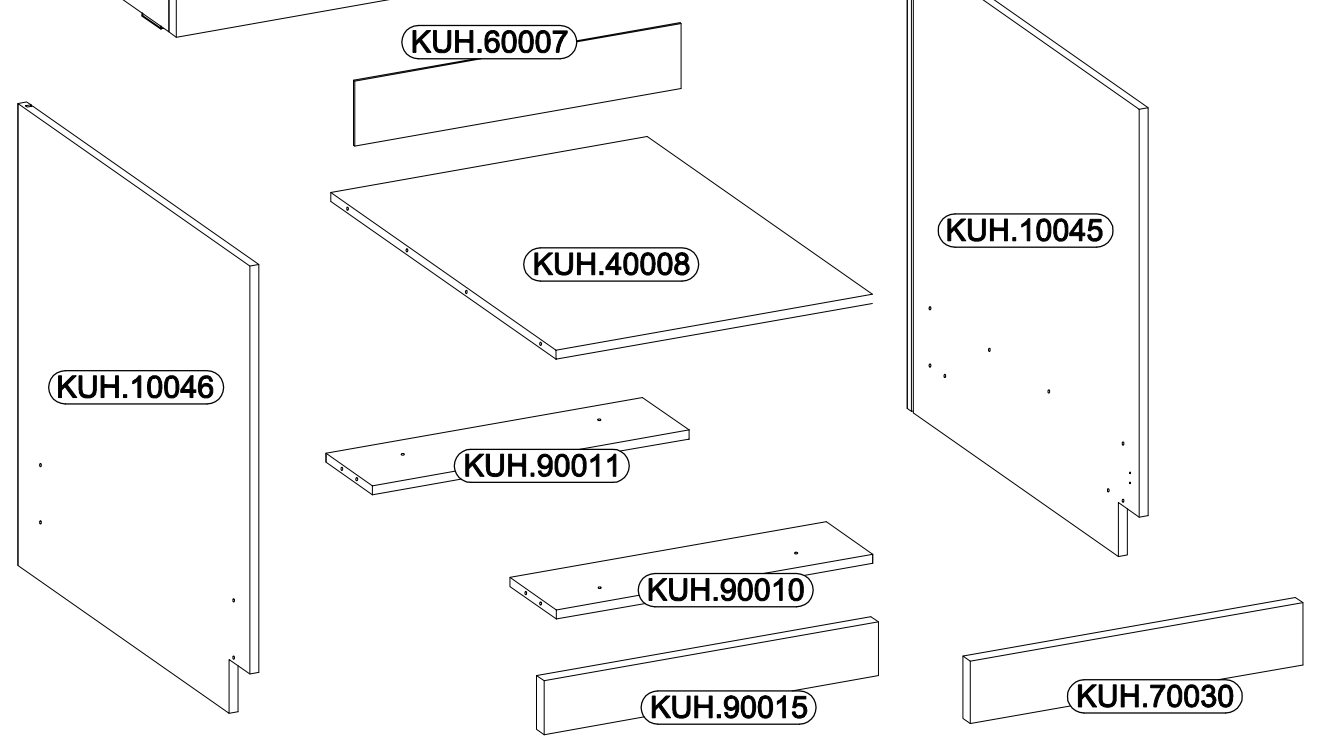
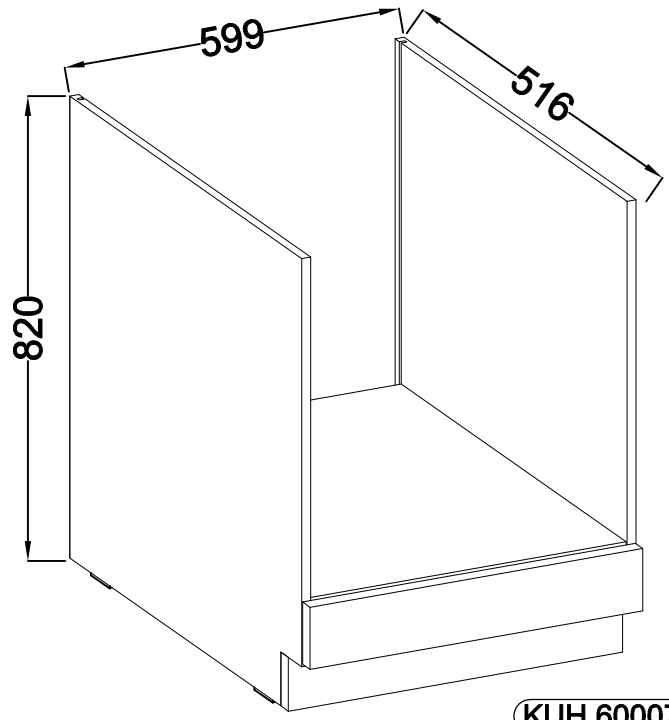
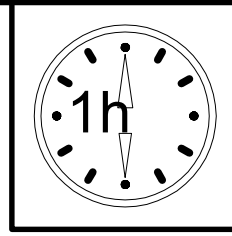
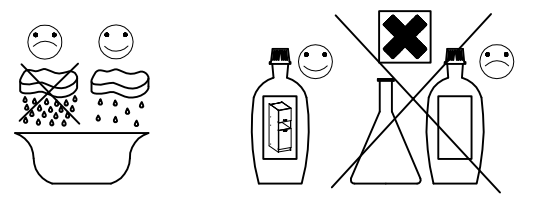
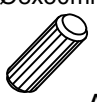
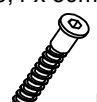


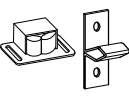
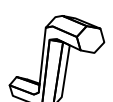



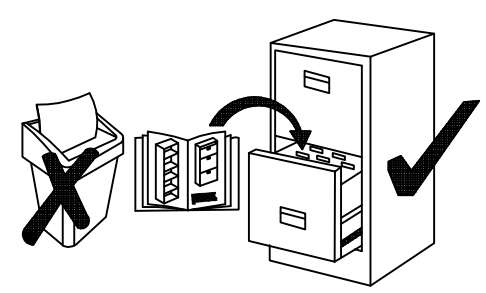


60 D GAZ BB

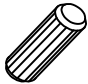
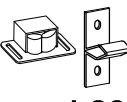




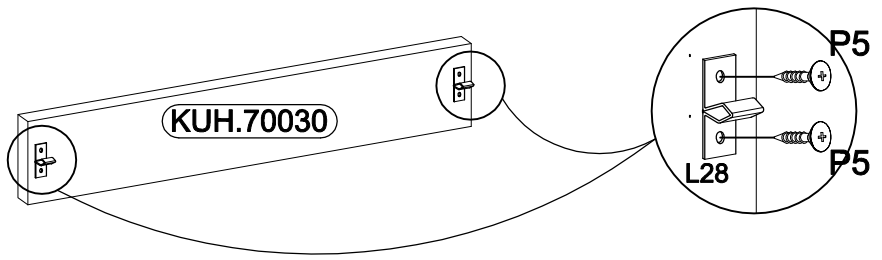
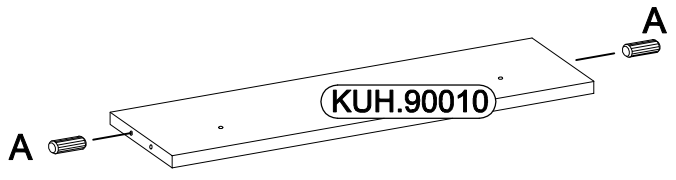
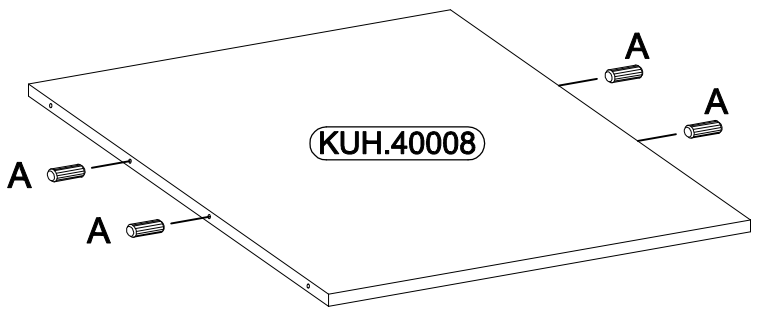
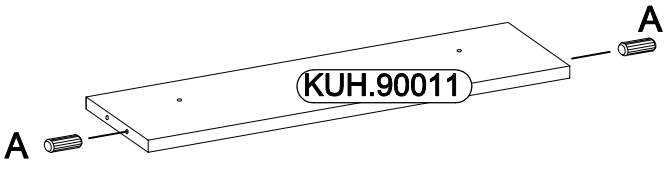
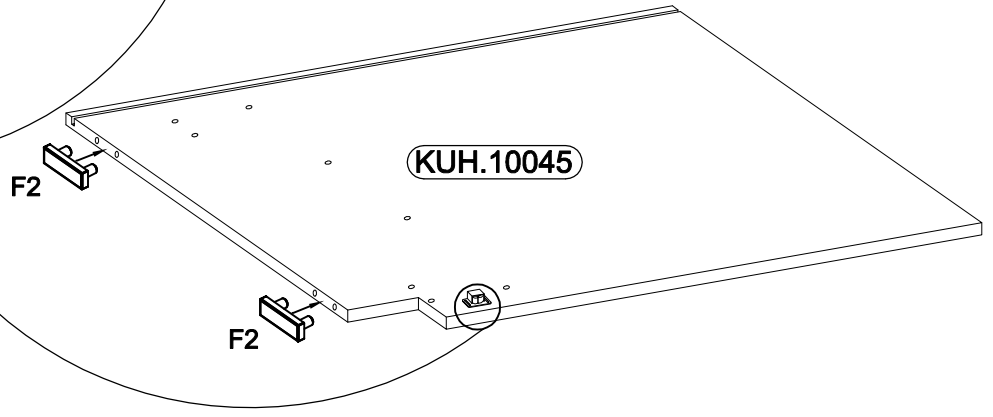
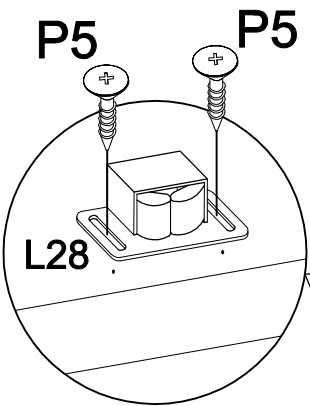
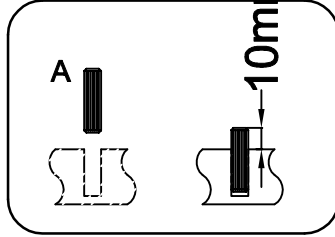
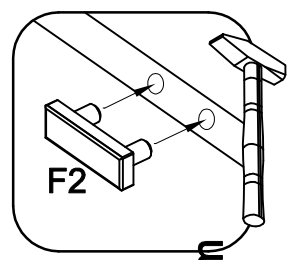
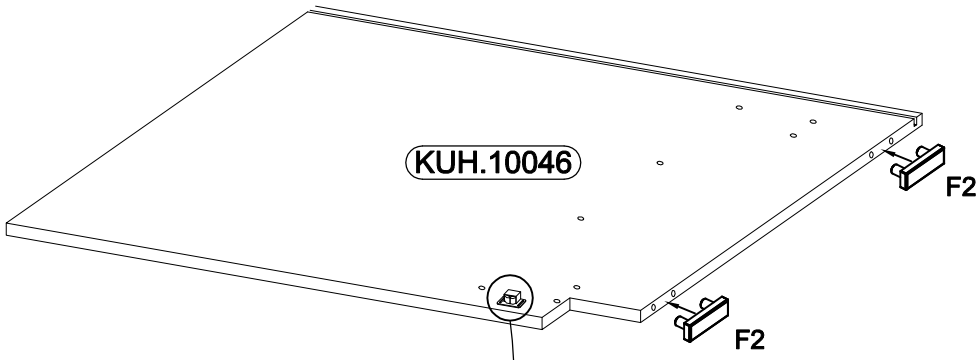
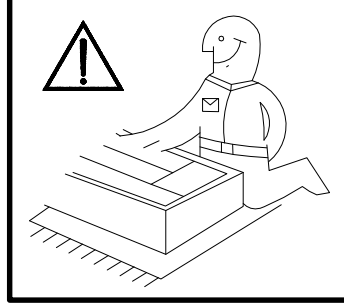
 <b>A</b> 8	 <b>B</b> 8	 <b>E1</b> 8	 <b>F2</b> 4
 <b>L28</b> 2	 <b>O</b> 1	 <b>P4</b> 2	 <b>P5</b> 8
		 <b>P7</b> 8-10	




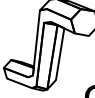

ISM-KUH-01541

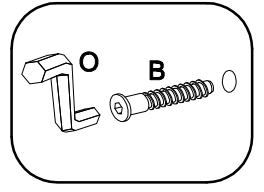
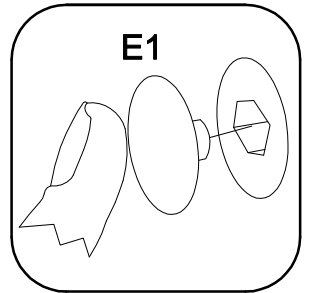
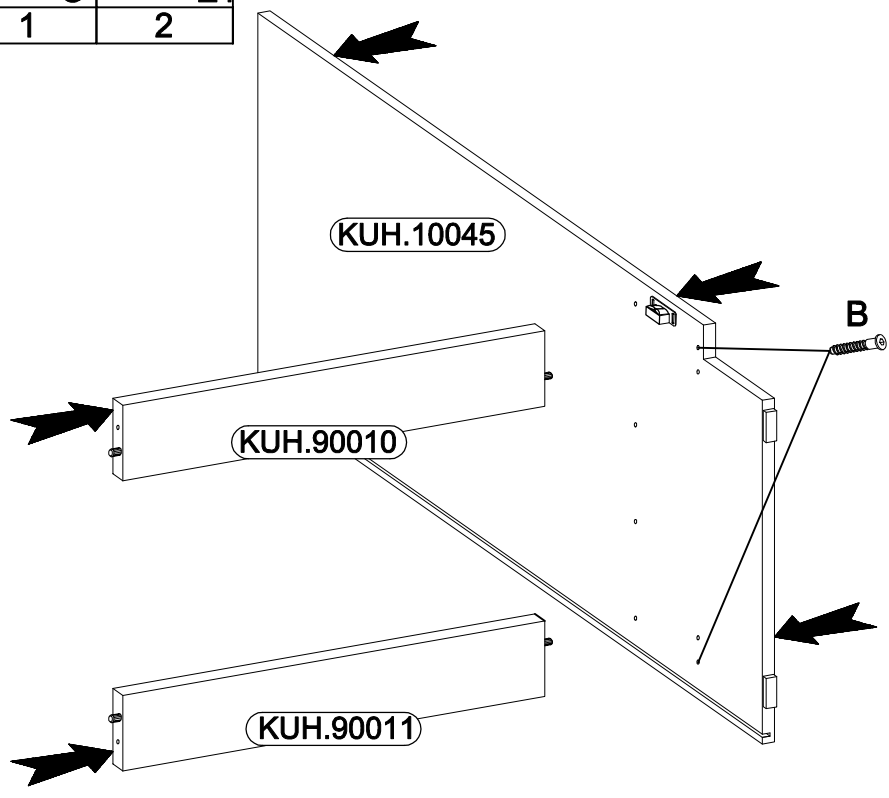
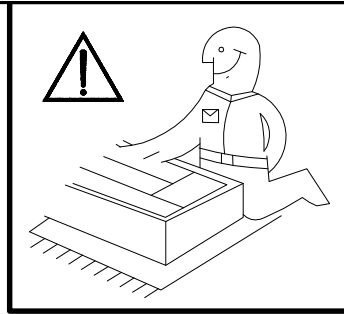
1

Ø8x30mm  A 8	 L28 2	6.5x48x16  F2 4	Ø3.5x13mm  P5 8
---	--	--	--


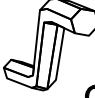


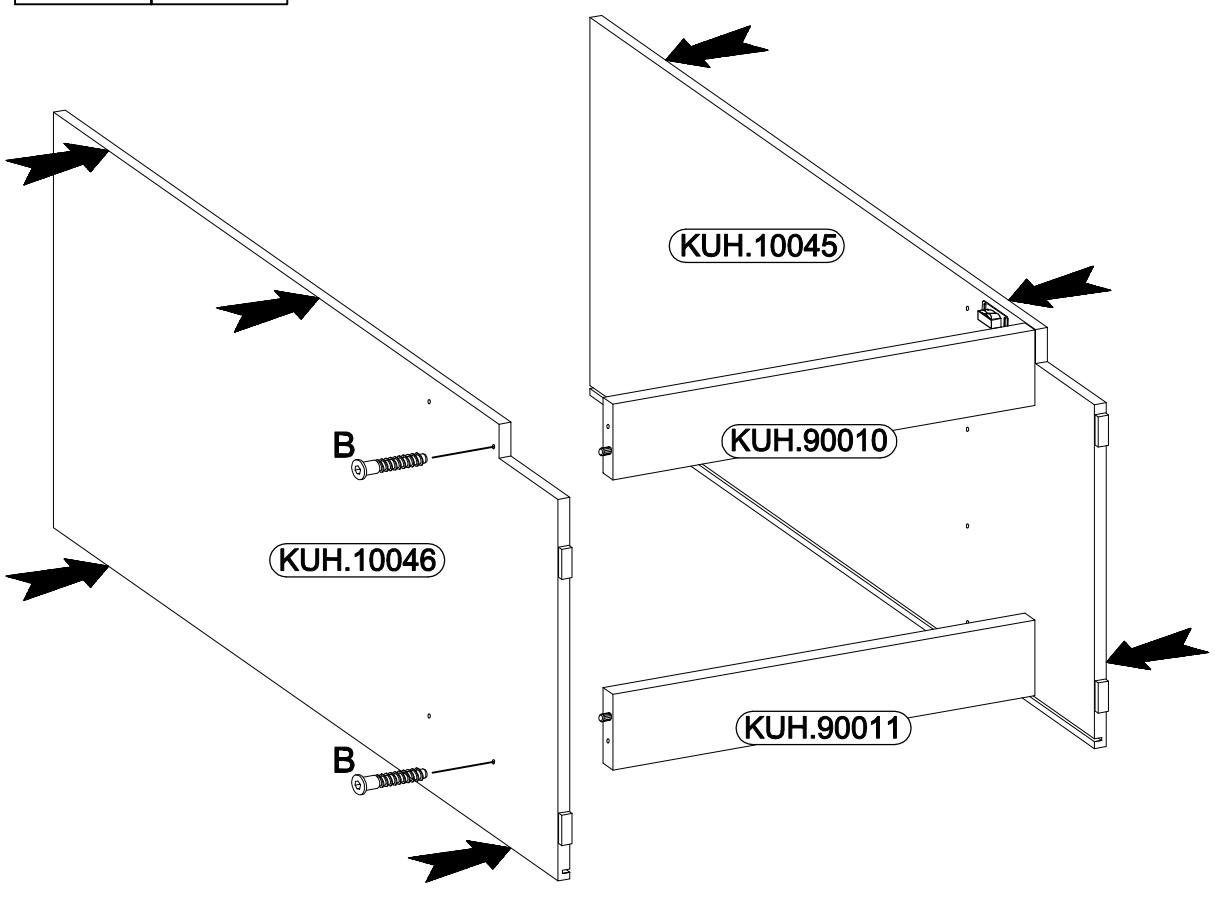
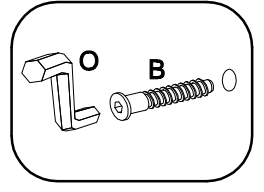
2

6,4 x 50mm		
		
B	O	E1
2	1	2

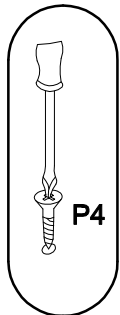
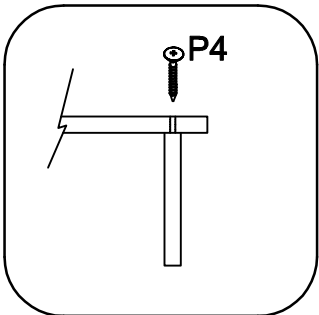
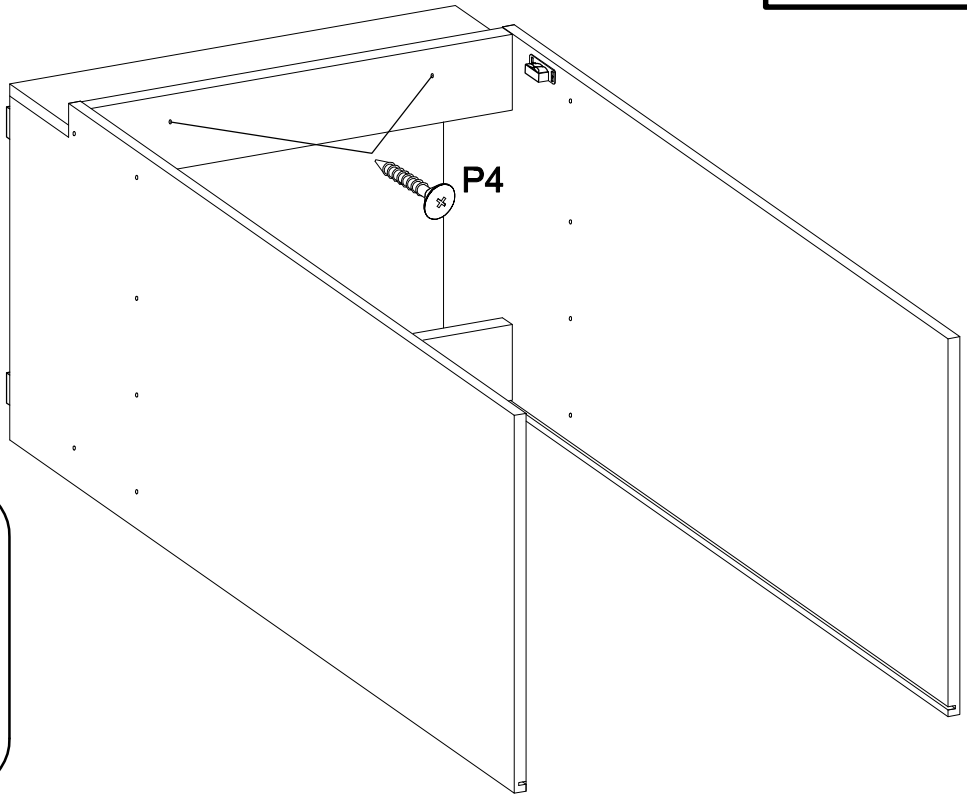
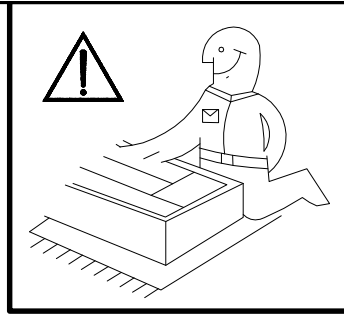
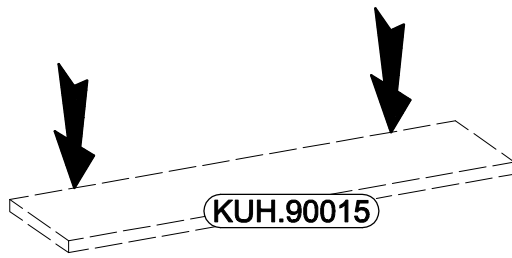
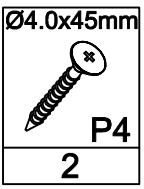


3

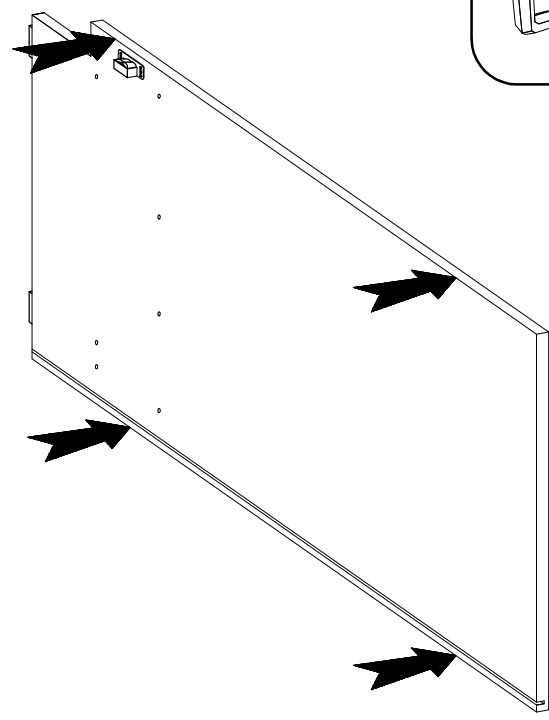
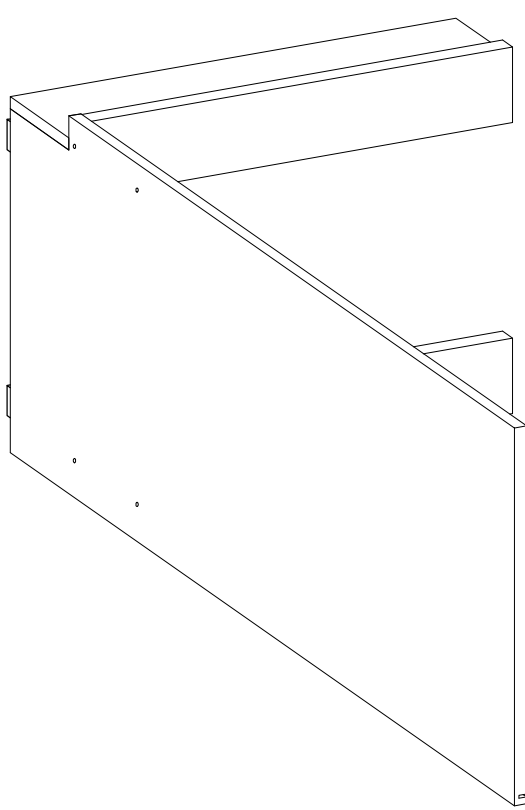
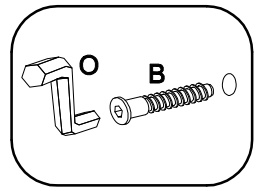
6,4 x 50mm	
	
B	O
2	1



4

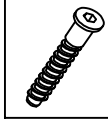


5



# 6

6,4 x 50mm



B

6



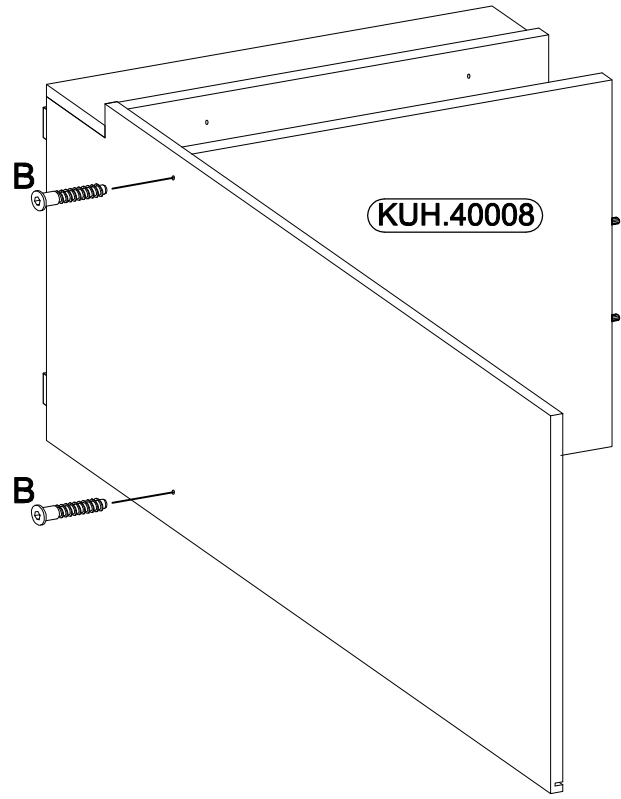
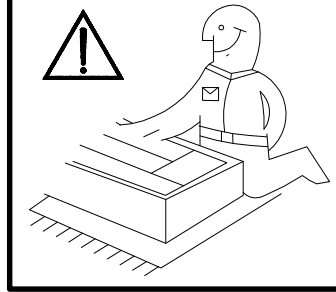
O

1

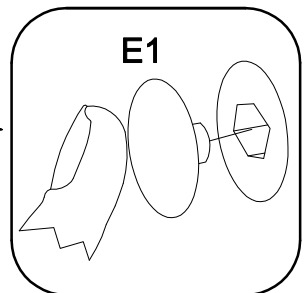
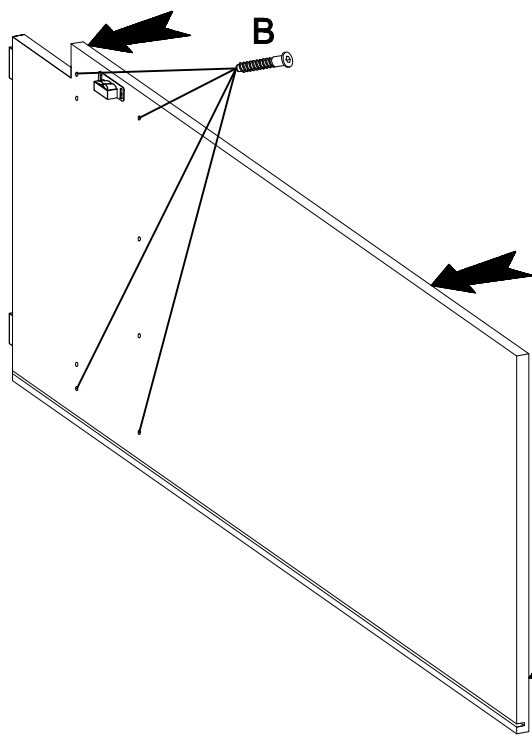


E1

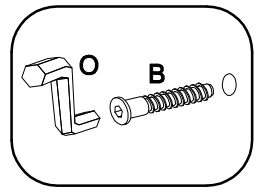
6



KUH.40008



E1



O

B

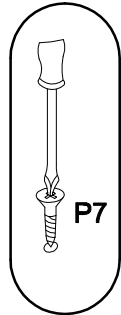
# 7

Ø3.0x20mm

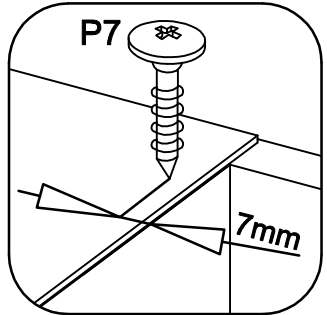


P7

8-10

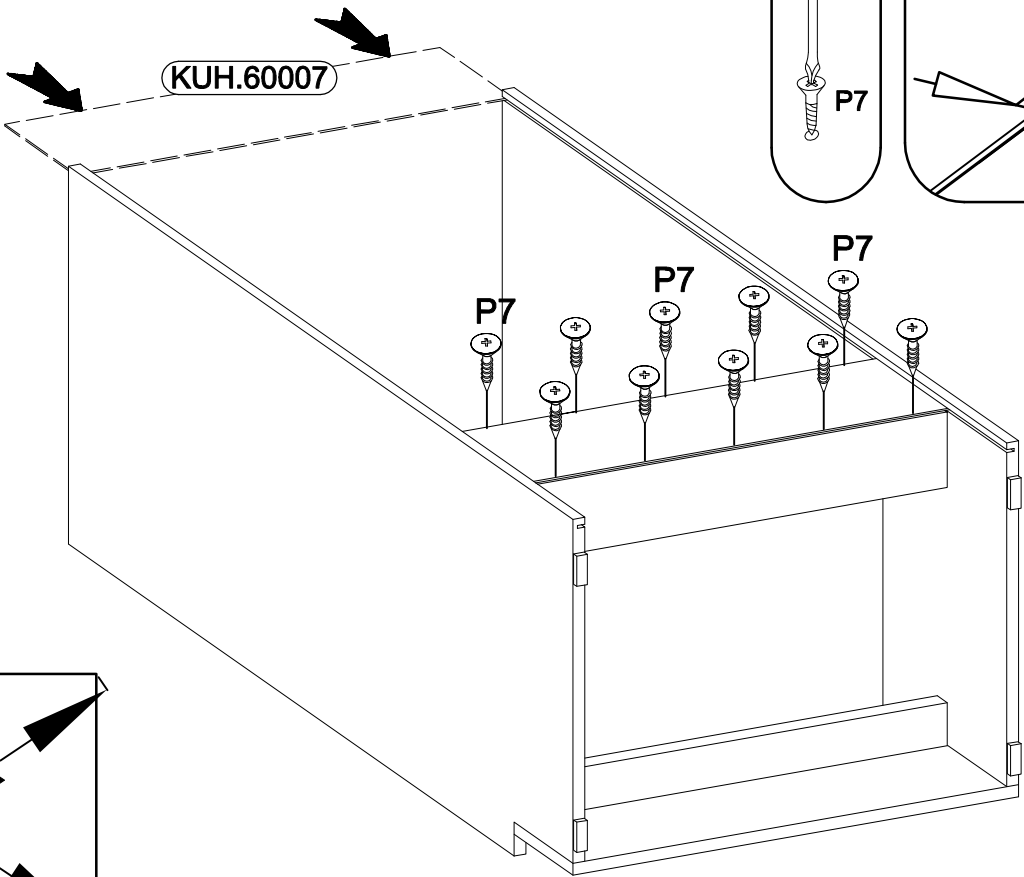


P7

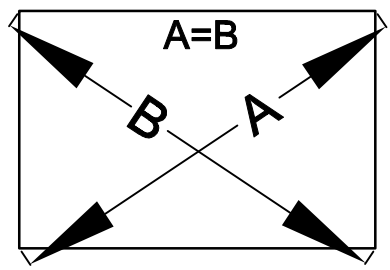


P7

7mm



KUH.60007



A=B

B

A

