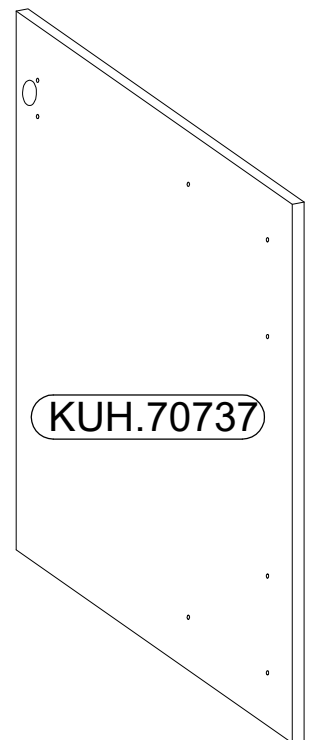
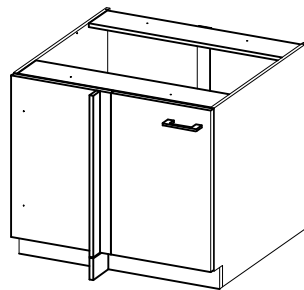
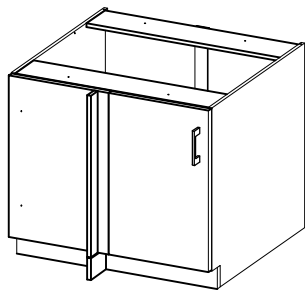
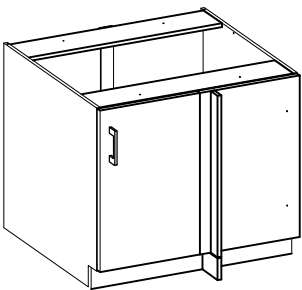
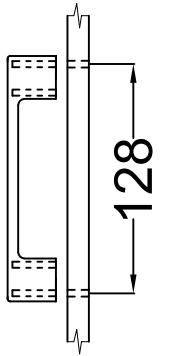
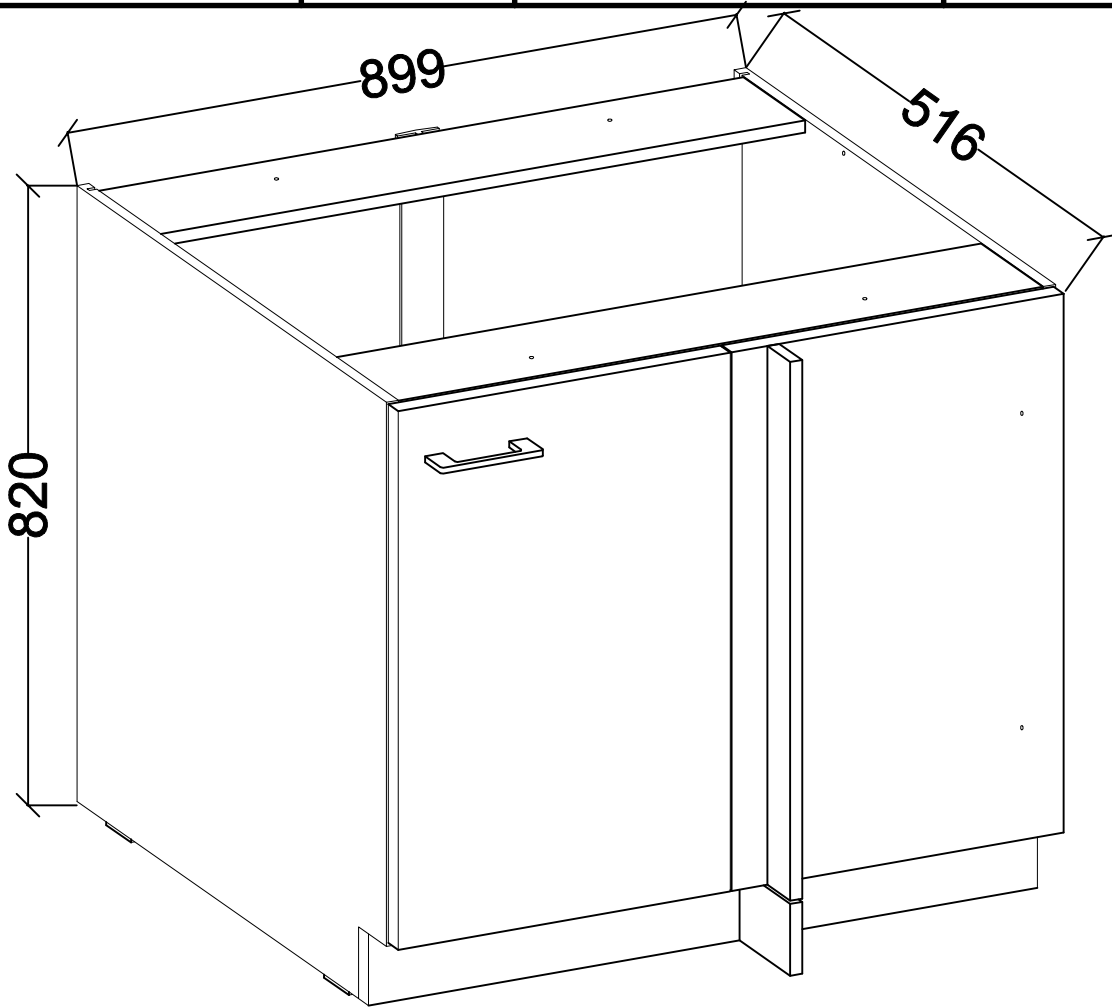
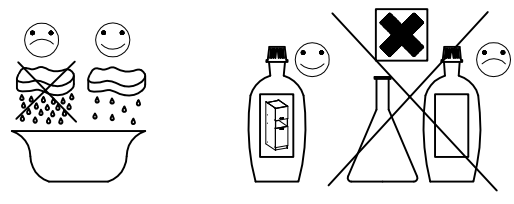




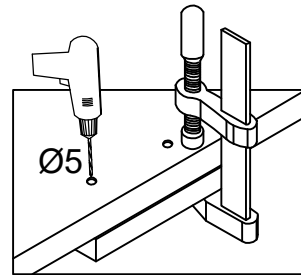
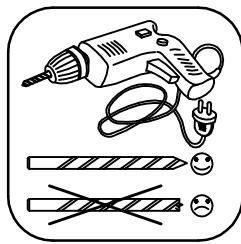
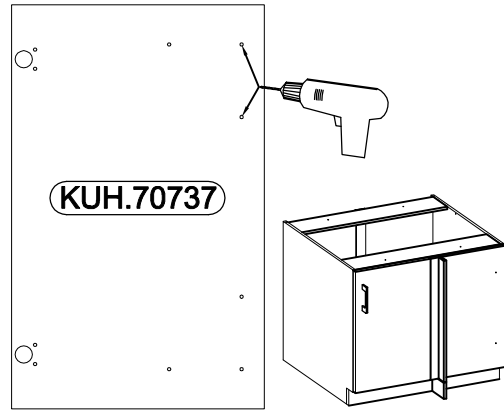
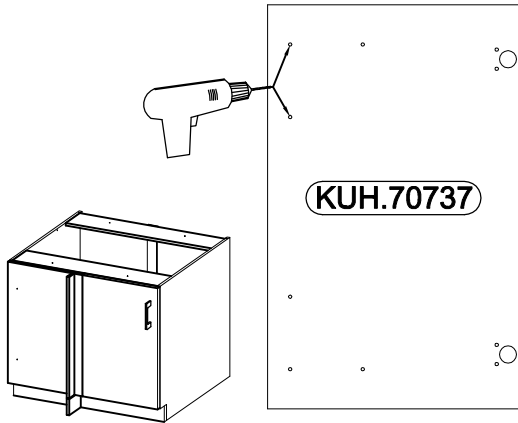
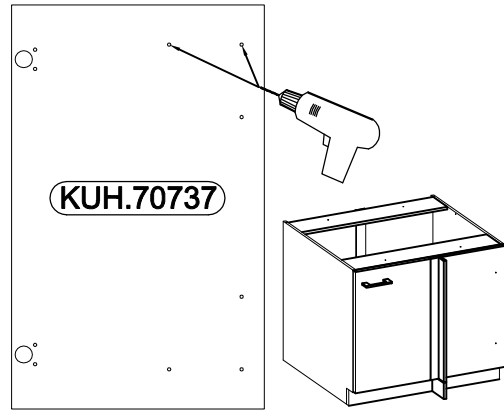
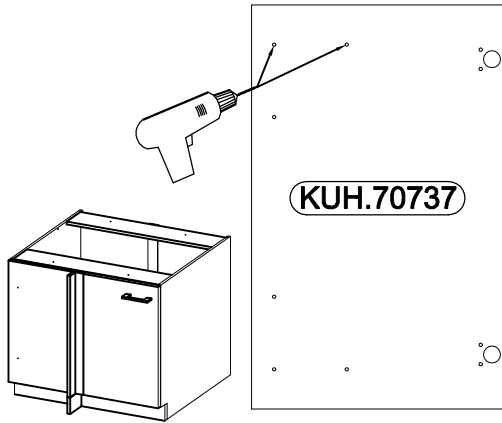
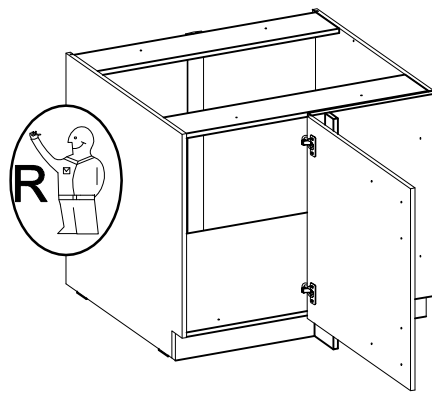
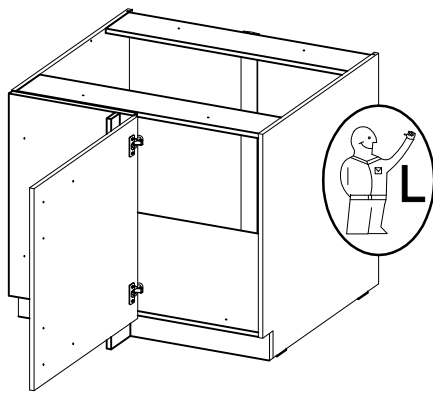
105 ND BB  
FRONT





Ø4.0x30mm	
	
R2	S
2	1

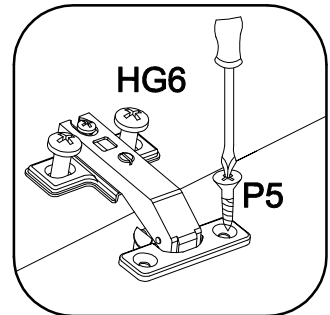
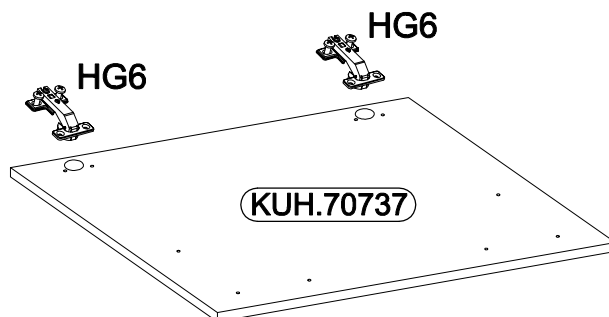
ISM-KUH-01551

1



2

Ø35/90°Ø3.5x13mm	
 [CD]	
<b>HG6</b>	<b>P5</b>
<b>2</b>	<b>4</b>



3

Ø4.0x30mm

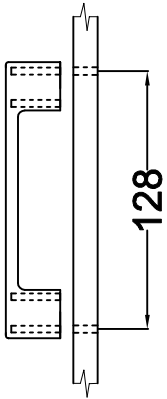


R2

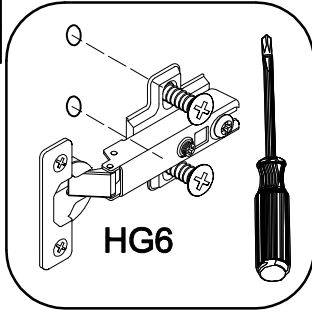
S

2

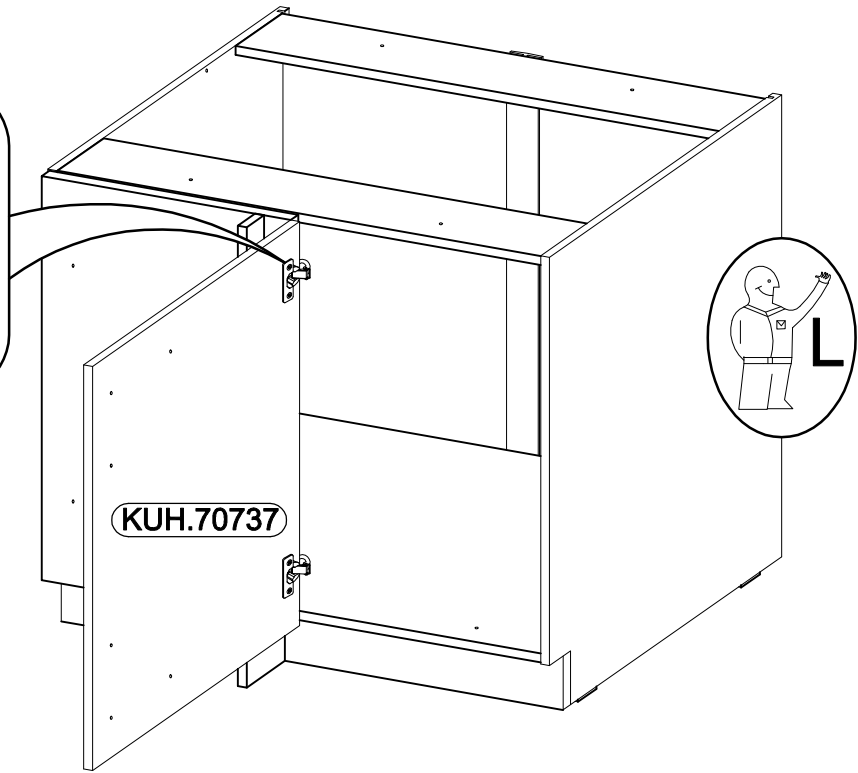
1



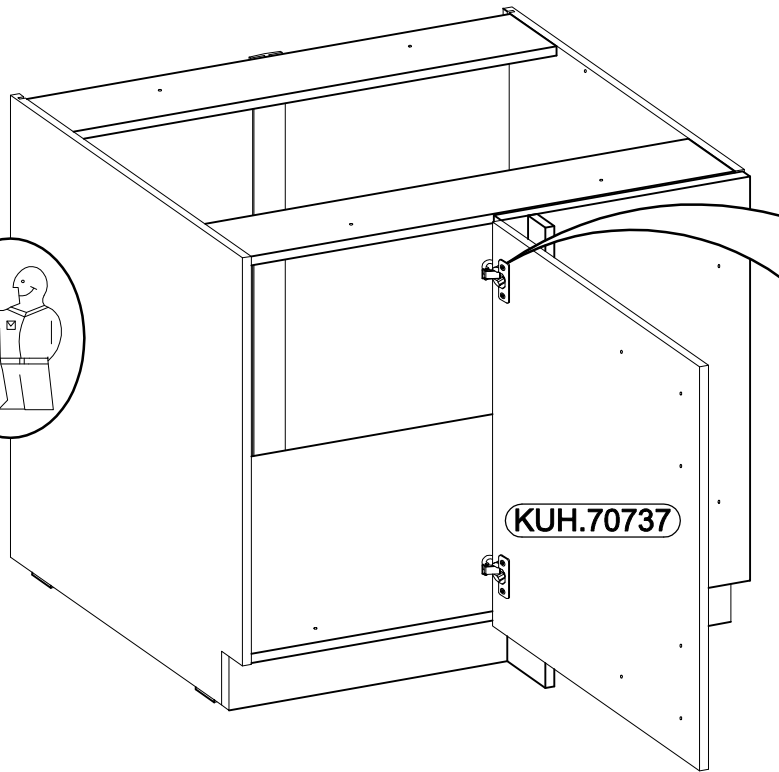
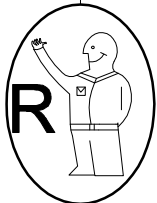
128



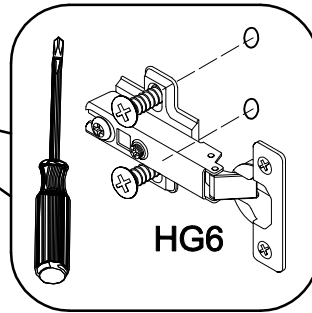
HG6



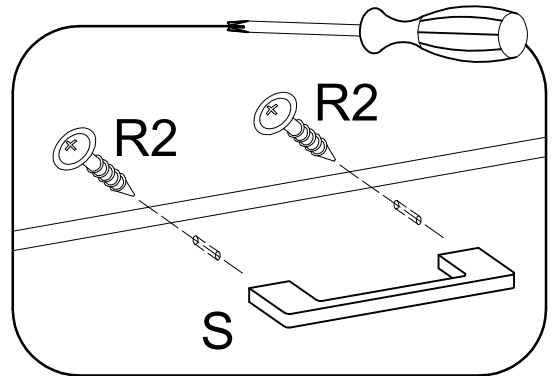
KUH.70737



KUH.70737



HG6



R2

R2

S

