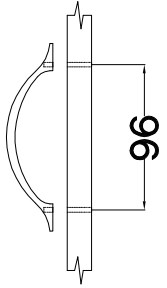
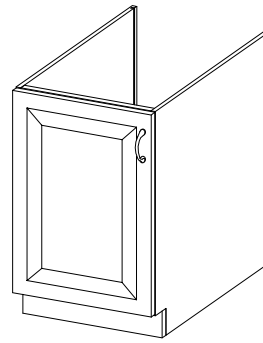
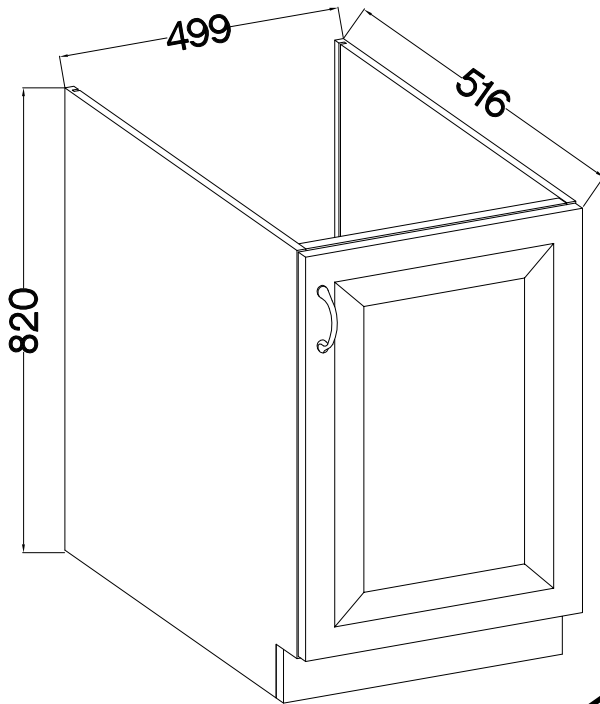


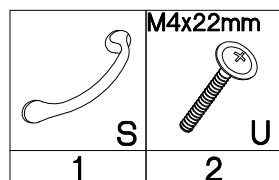
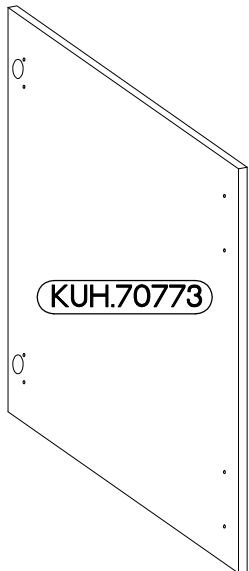
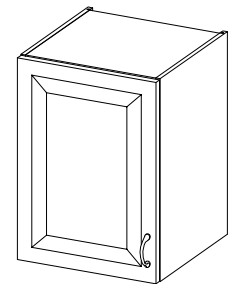
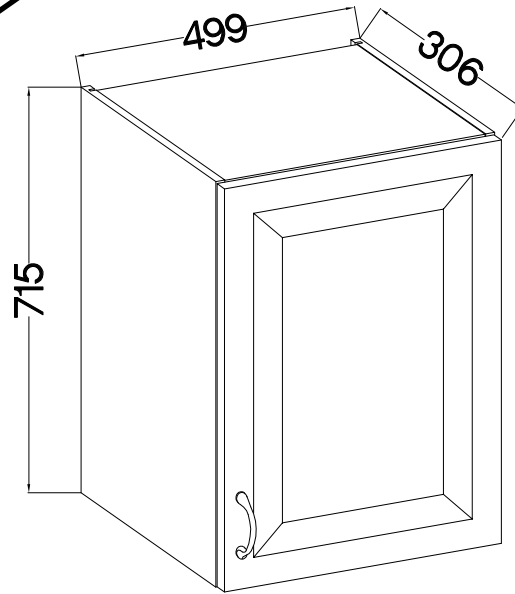
FRONT



50 ZL 1F BB



50 G-72 1F



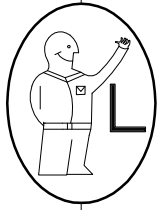
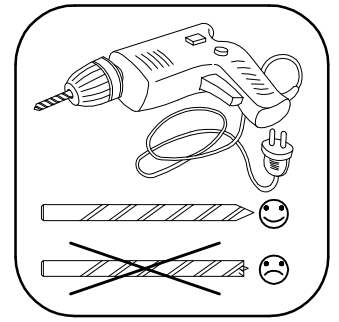
ISM-KUH-01191

4

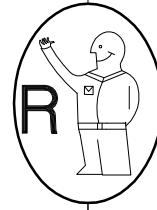
50 G-72 1F

LEFT

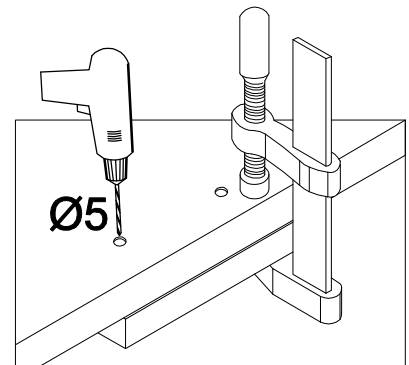
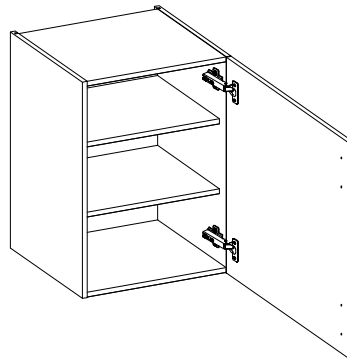
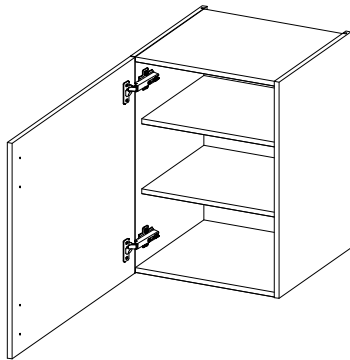
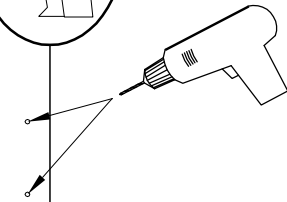
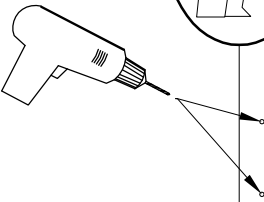
RIGHT





KUH.70773

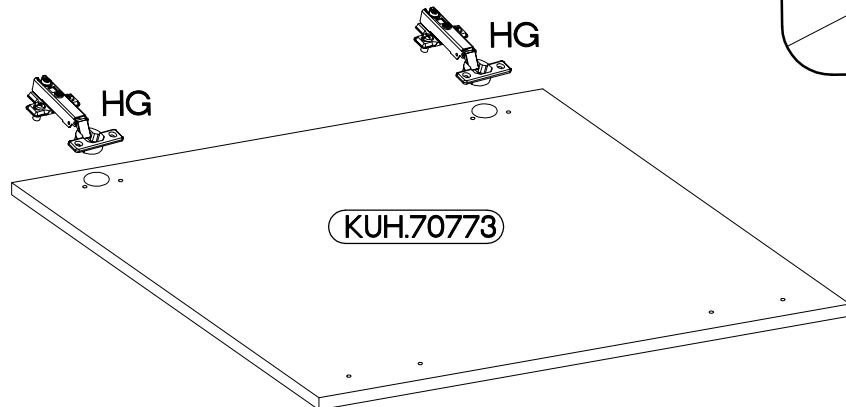
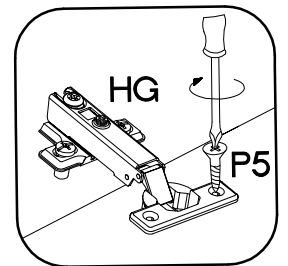


KUH.70773



5

 HG 2	 P5 4
--	--



6

M4x22mm



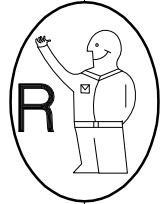
U

2

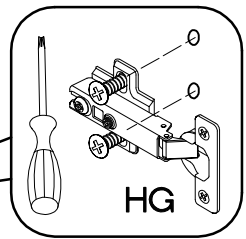


S

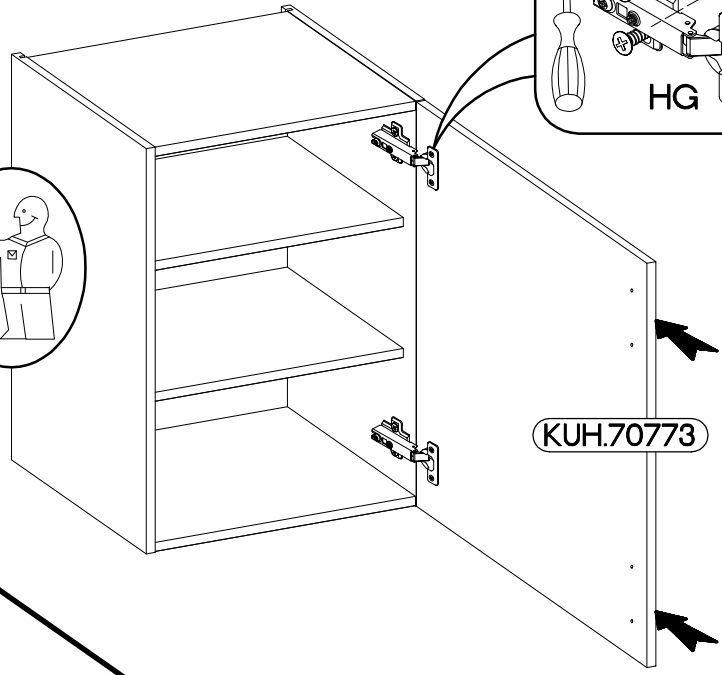
1



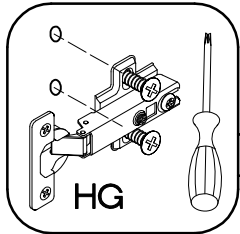
R



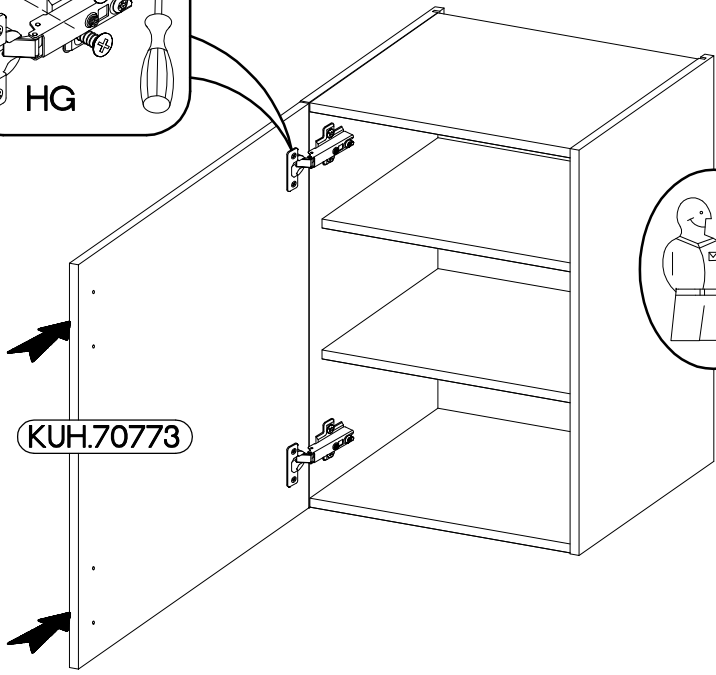
HG



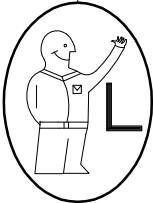
KUH.70773



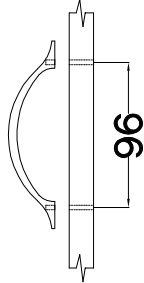
HG



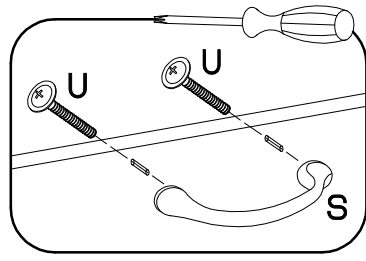
KUH.70773



L



96



U

S

