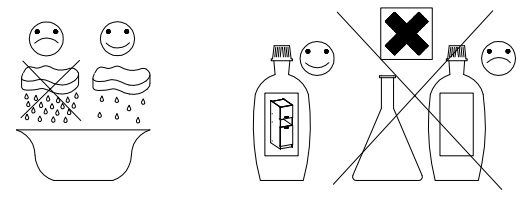
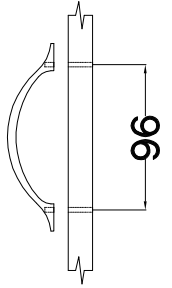
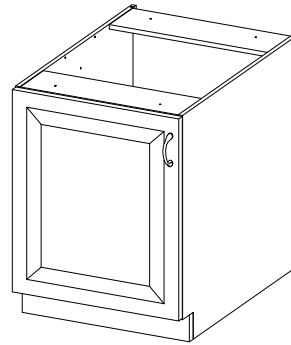
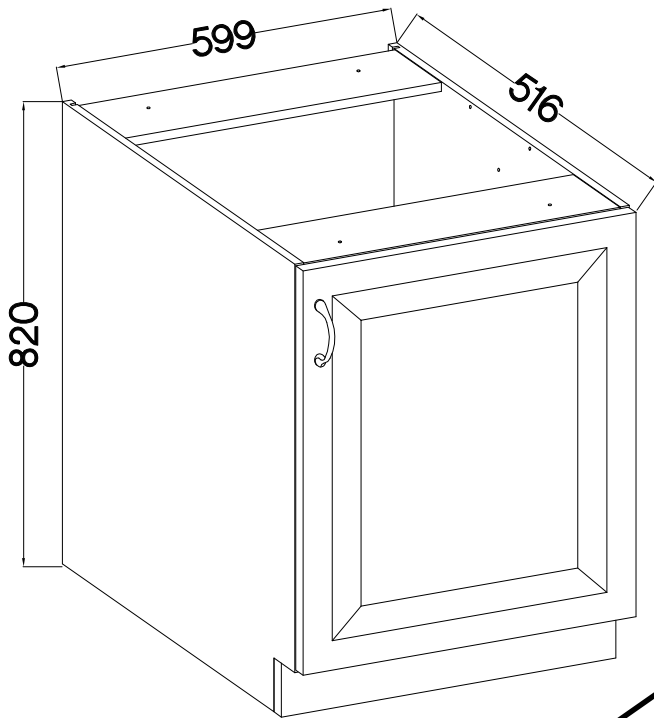


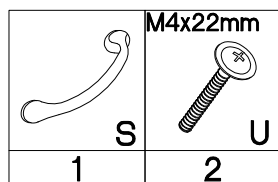
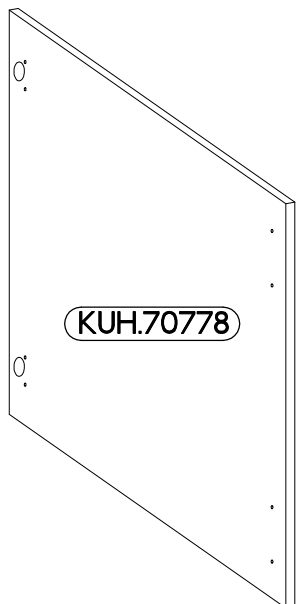
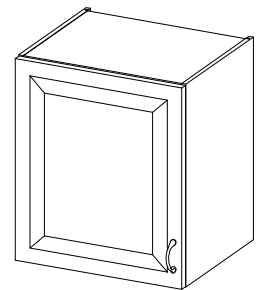
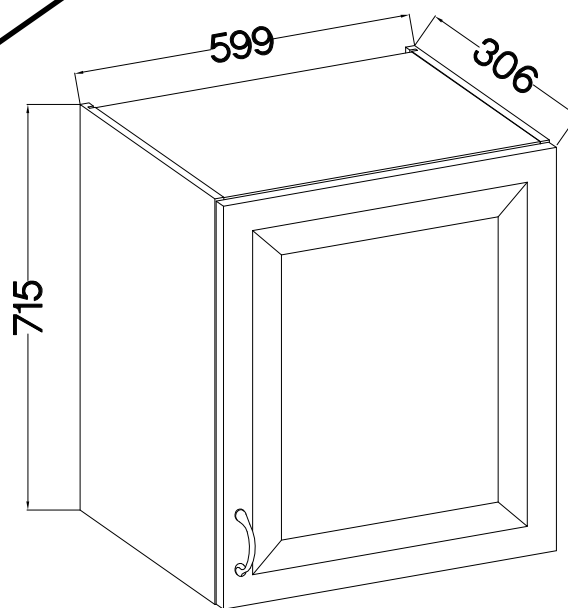
FRONT



60 D 1F BB



60 G-72 1F



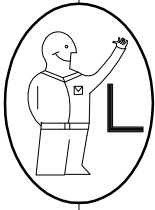
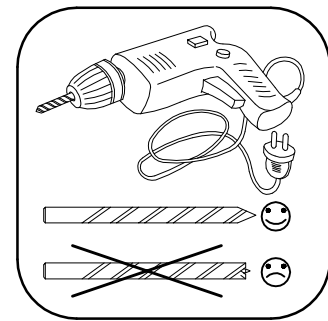
ISM-KUH-01192

4

60 G-72 1F

LEFT

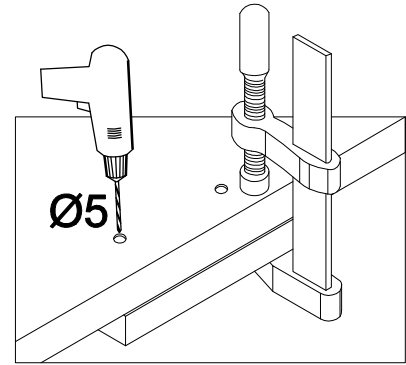
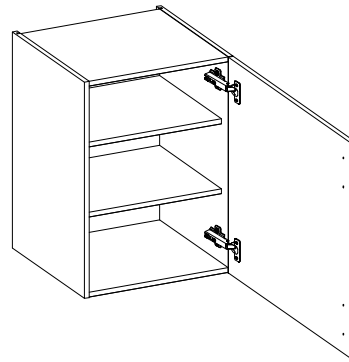
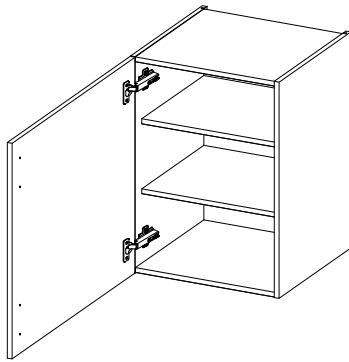
RIGHT





KUH.70778

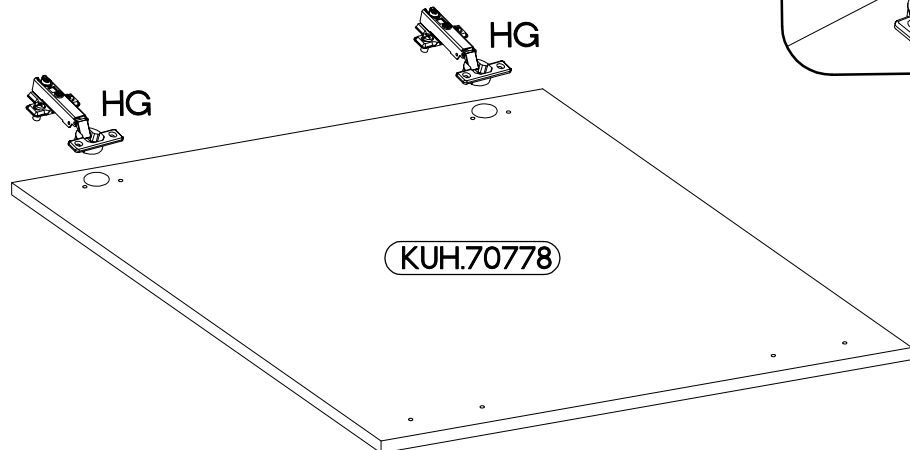
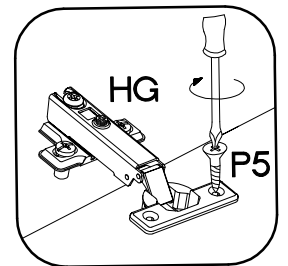


KUH.70778



5

 HG 2	 P5 4
--	--



6

M4x22mm



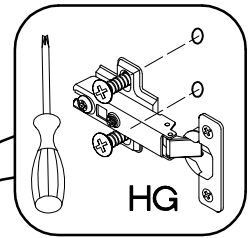
U

2

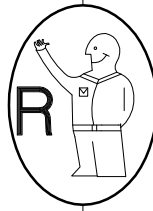


S

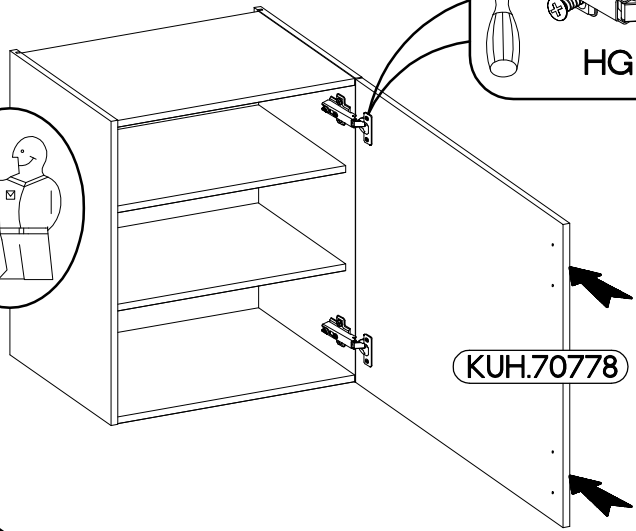
1



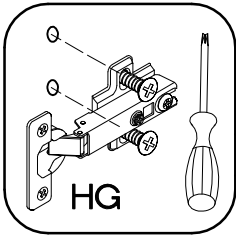
HG



R

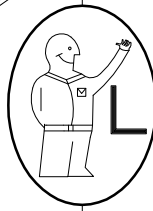


KUH.70778

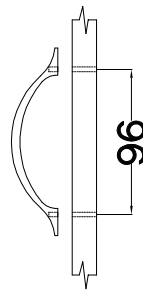
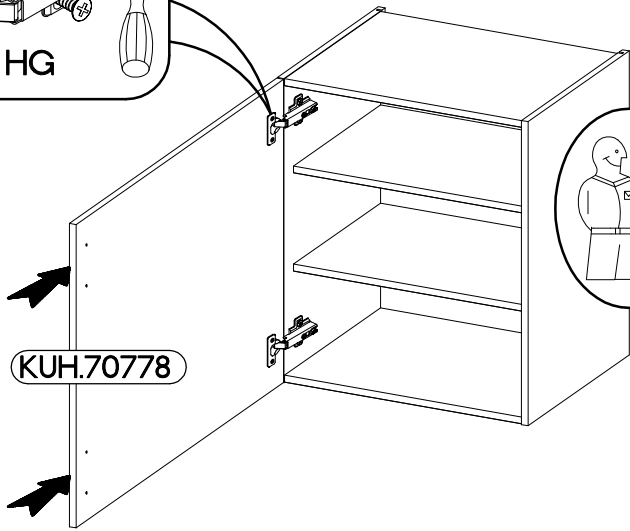


HG

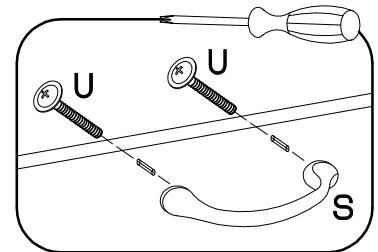
KUH.70778



L



96



U

S

