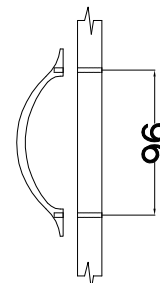
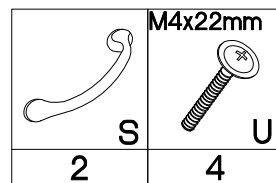
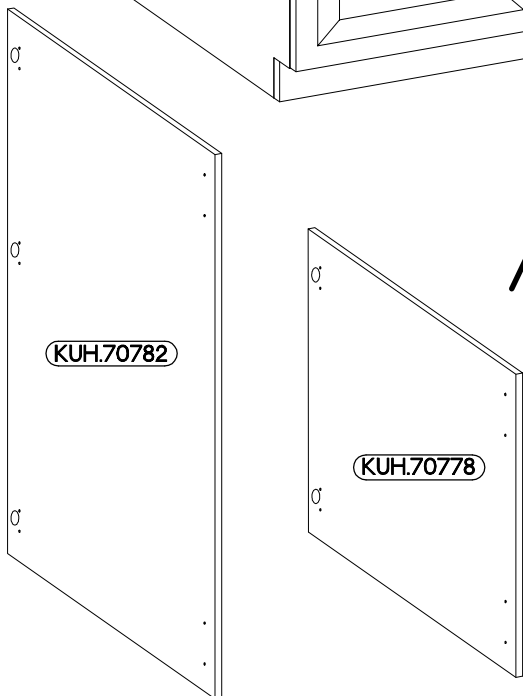
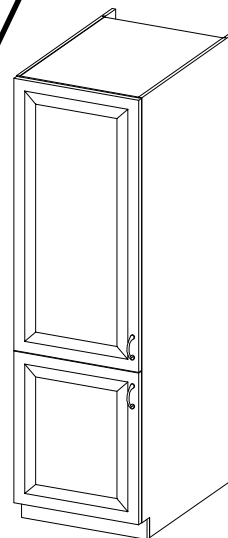
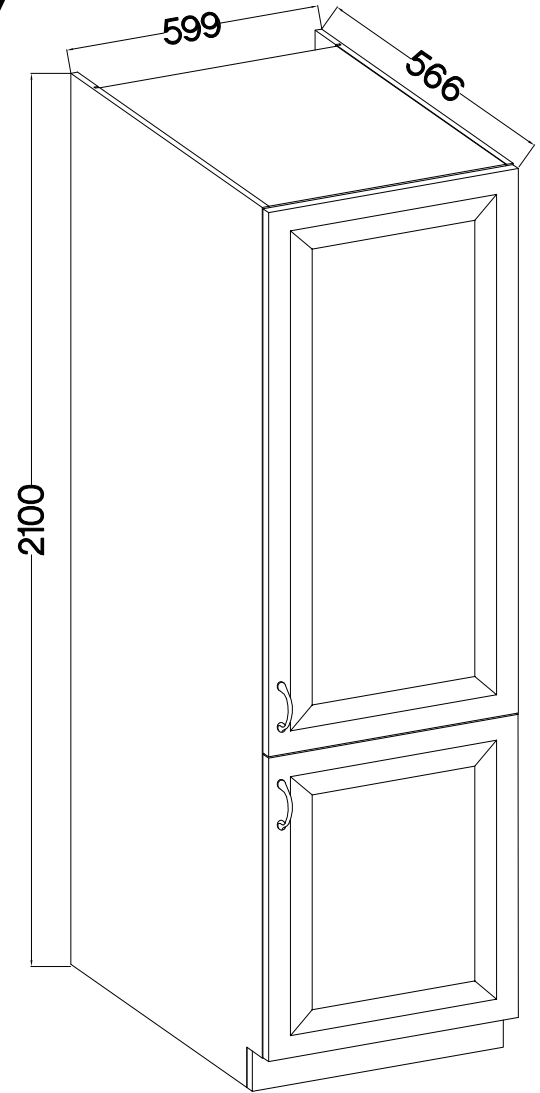
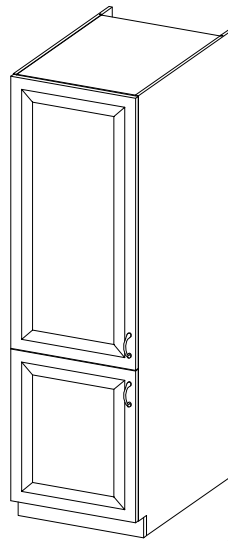
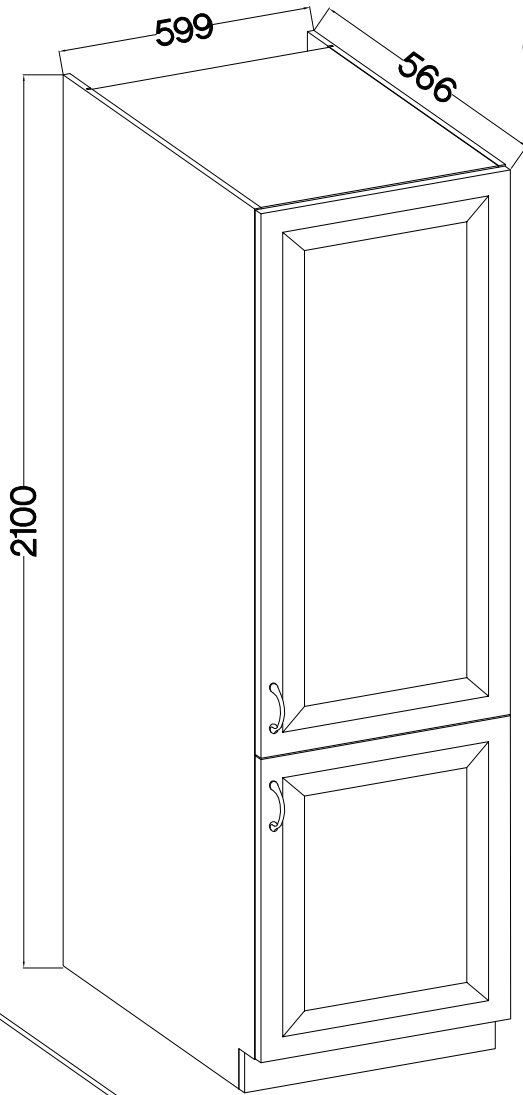


FRONT



60 DK-2100 2F

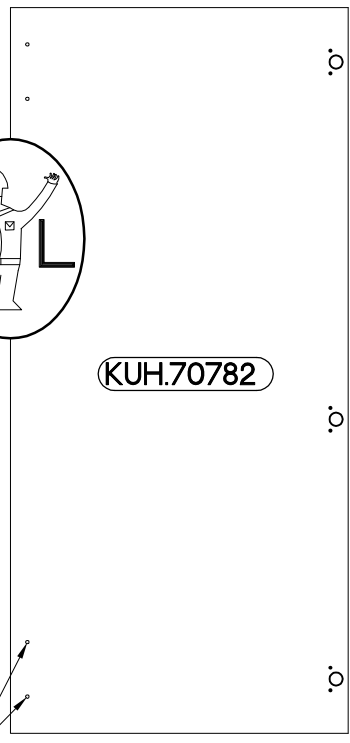
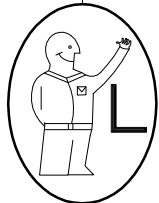
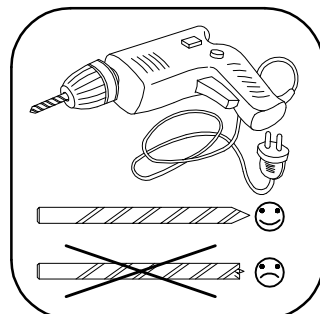
60 LO-2100



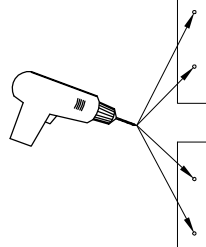
ISM-KUH-01205

LEFT

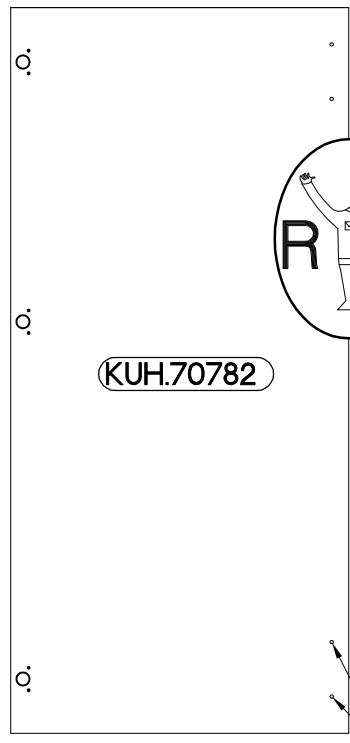
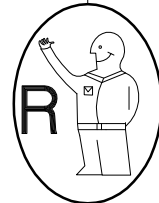
RIGHT



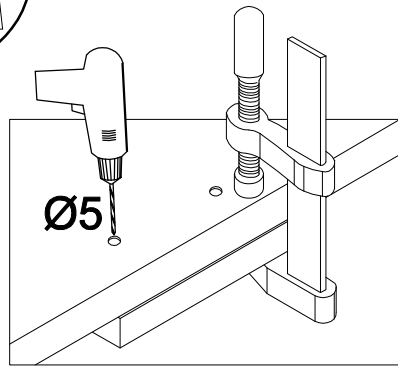
KUH.70782



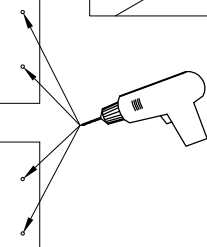
KUH.70778



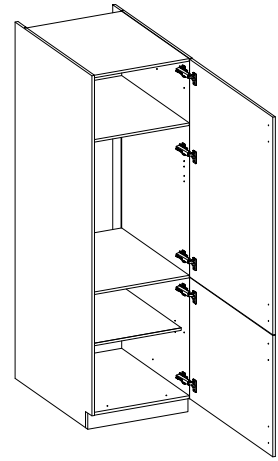
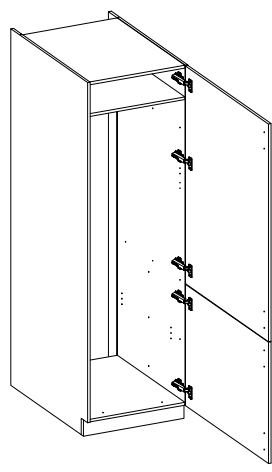
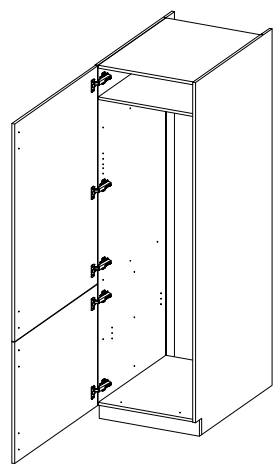
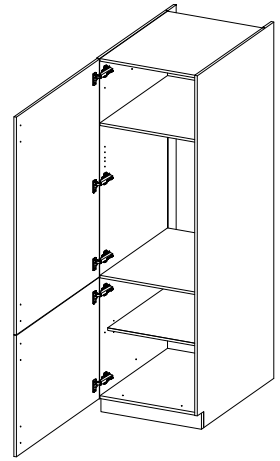
KUH.70782



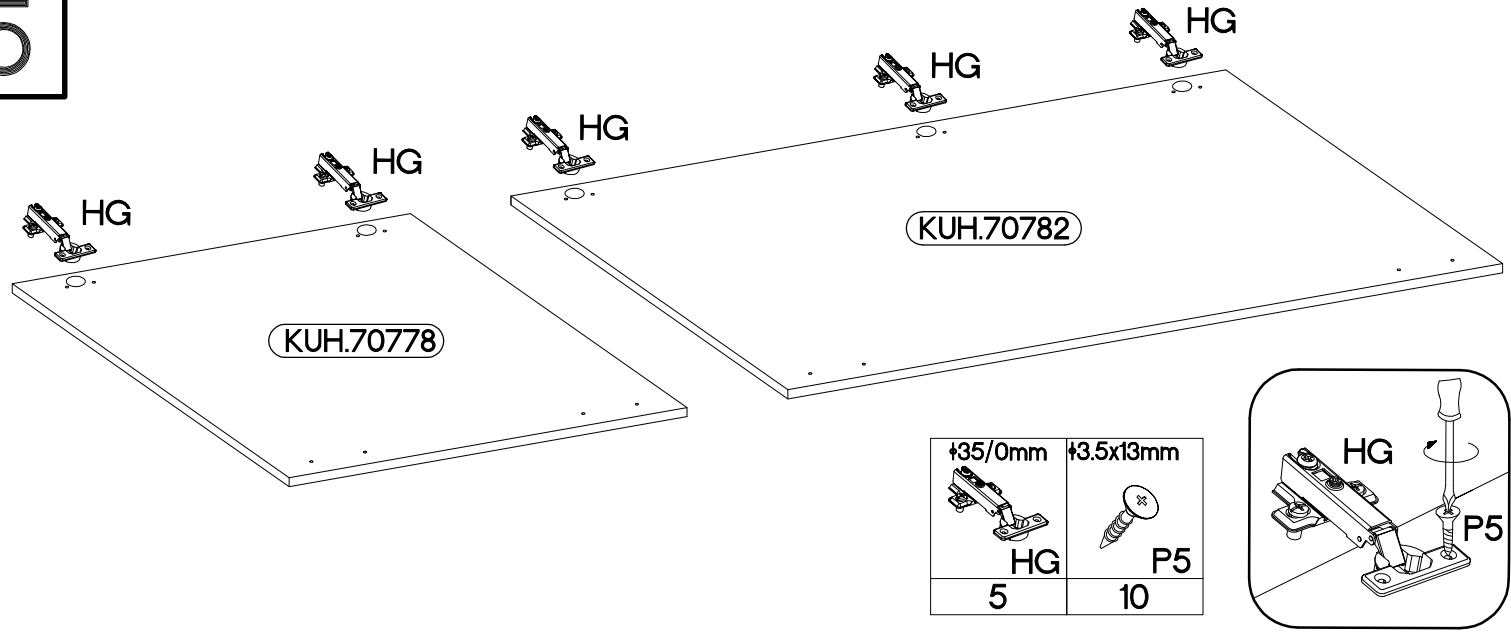
Ø5



KUH.70778

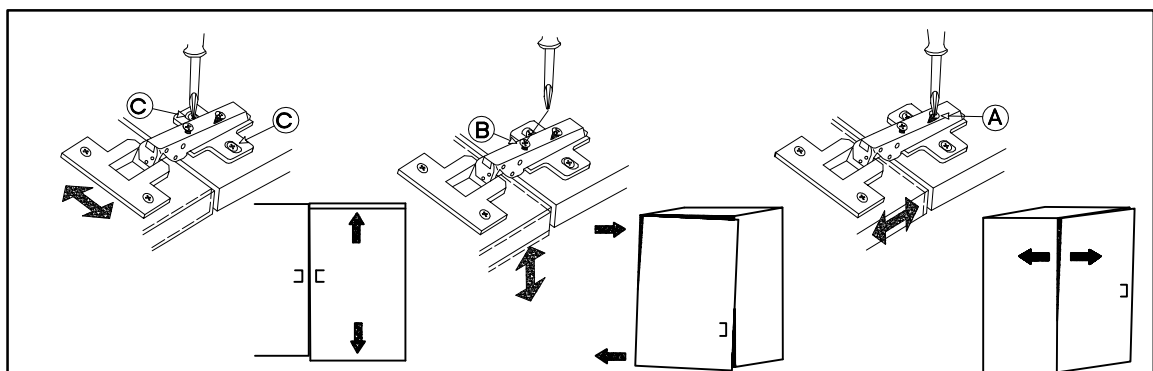
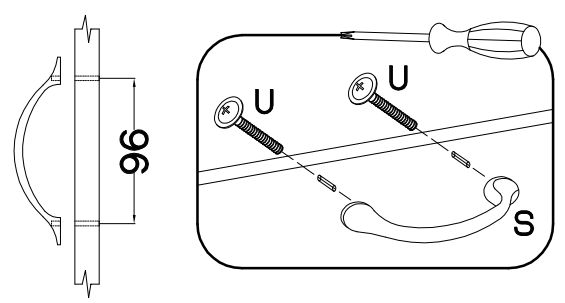
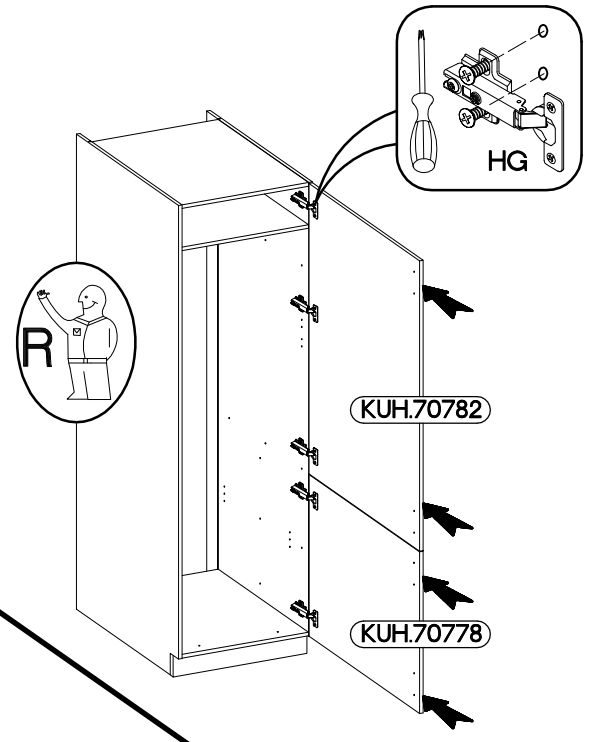
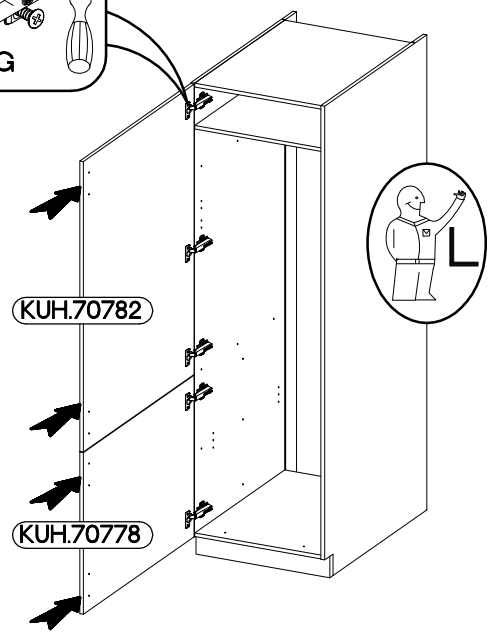
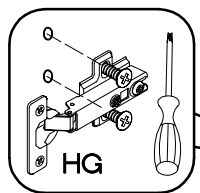


5





6 WARIANT A

M4x22mm U 4	S 2
-------------------	--------



7 | WARIANT B

M4x22mm

	
U	S
4	2

